

[54] **TOWEL-TIE BAR**

[75] **Inventor:** J. Edward Dobbs, III, Selma, Ala.

[73] **Assignee:** Golden Eagle Enterprises Inc., Selma, Ala.

[**] **Term:** 14 Years

[21] **Appl. No.:** 348,077

[22] **Filed:** Feb. 11, 1982

[52] **U.S. Cl.** D6/99

[58] **Field of Search** D6/86, 99, 103; D28/73;
211/13, 16, 60 R, 71, 75, 90, 100, 105.1, 123,
171; 108/25, 28-29, 42, 152

[56] **References Cited**

U.S. PATENT DOCUMENTS

D. 055,354 6/1920 Baker D6/99
D. 139,145 10/1944 Sadowski D6/99
D. 256,864 9/1980 Nippel et al. D6/99

Primary Examiner—Wallace R. Burke
Assistant Examiner—Suzanne N. Gitlin
Attorney, Agent, or Firm—Larson and Taylor

[57] **CLAIM**

The ornamental design for a towel-tie bar, substantially as shown.

DESCRIPTION

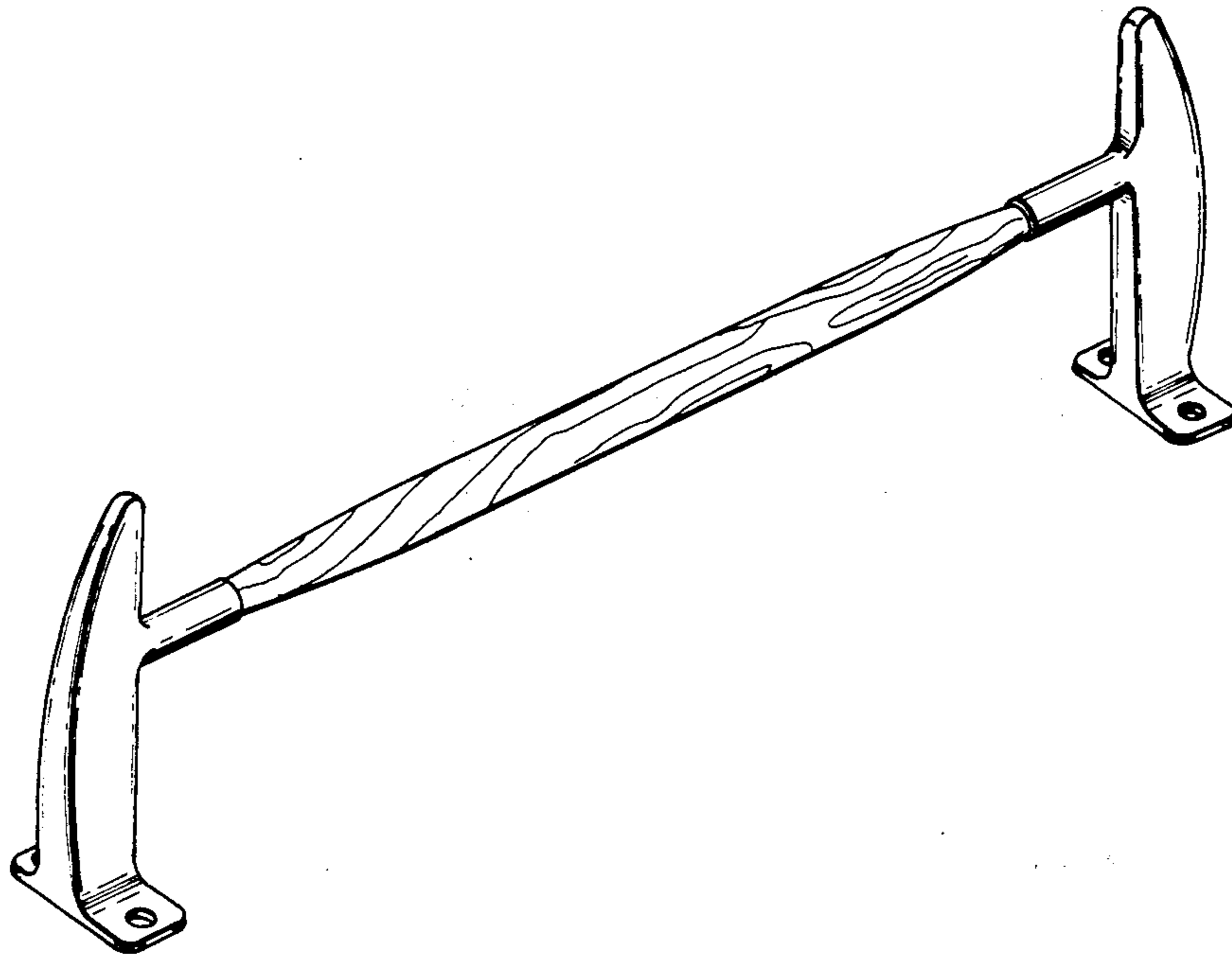
FIG. 1 is a perspective view of a towel-tie bar showing my new design;

FIG. 2 is a front elevational view thereof;

FIG. 3 is a top plan view thereof;

FIG. 4 is a bottom plan view thereof;

FIG. 5 is an end elevational view thereof.



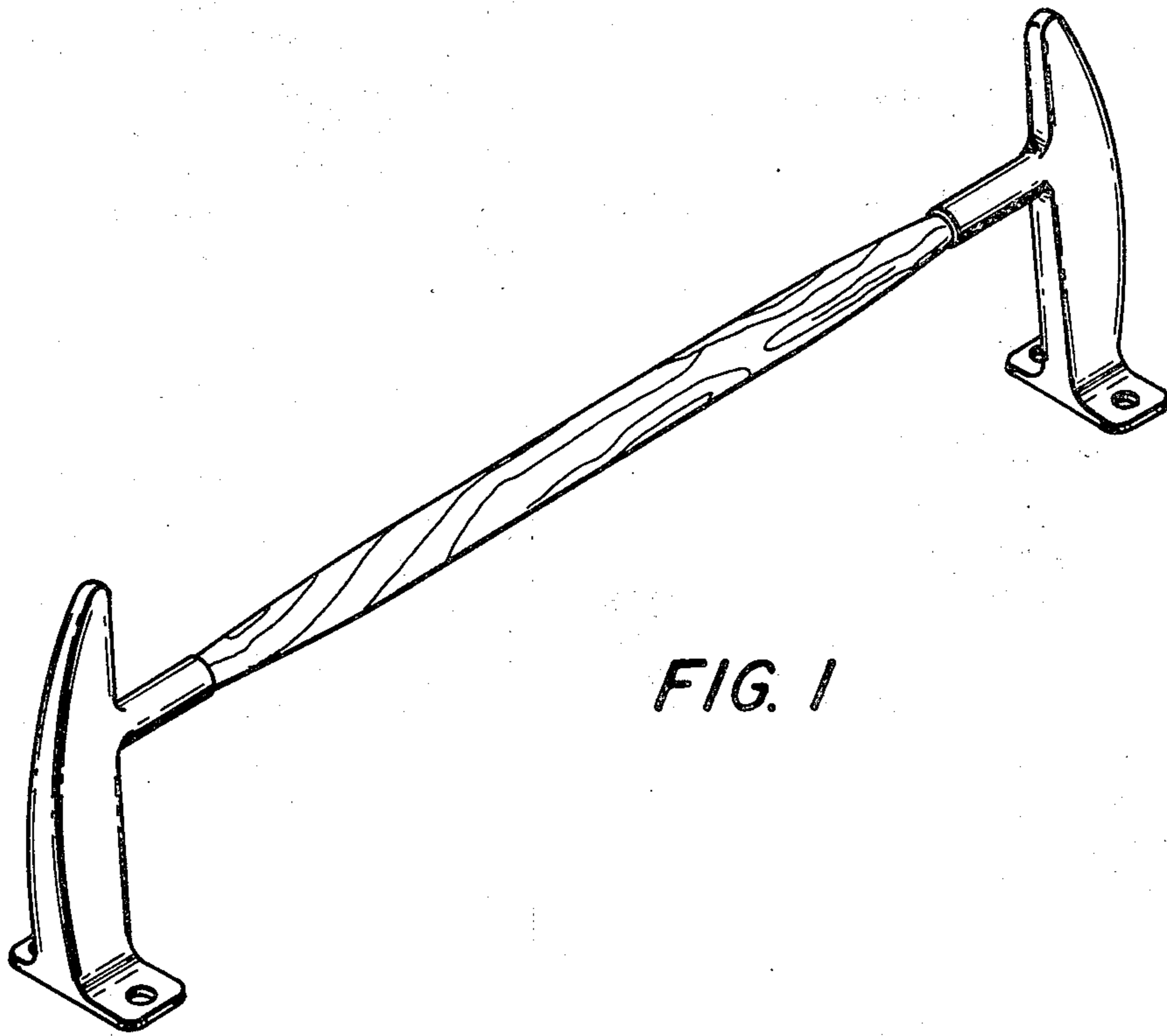


FIG. 1

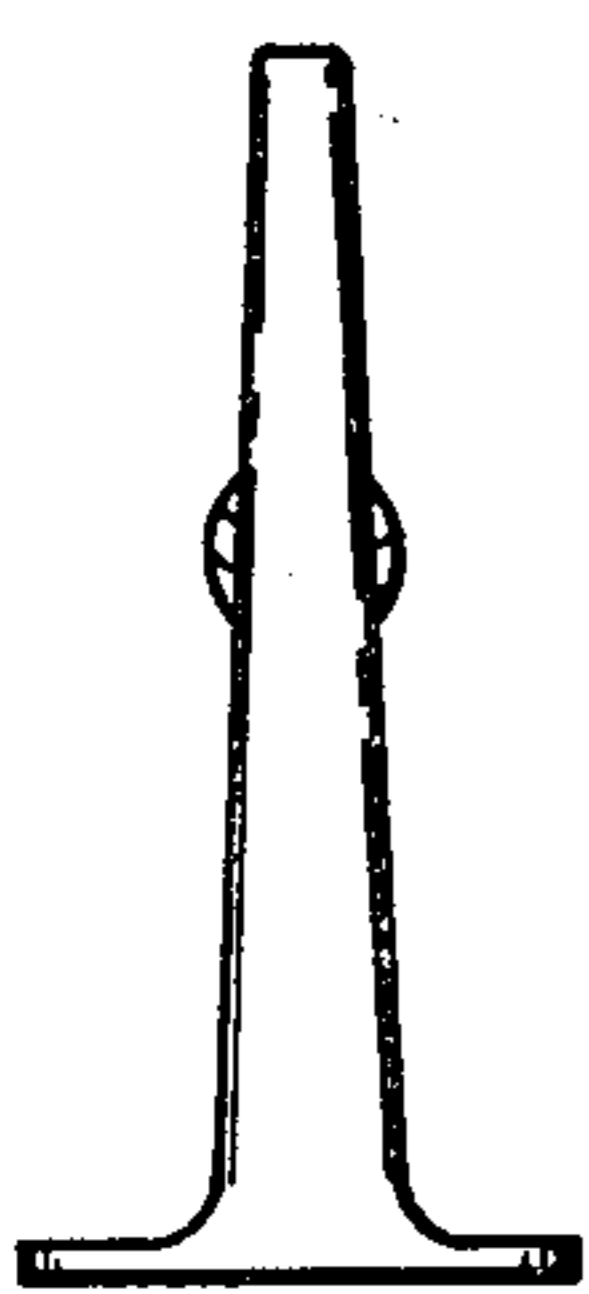


FIG. 5

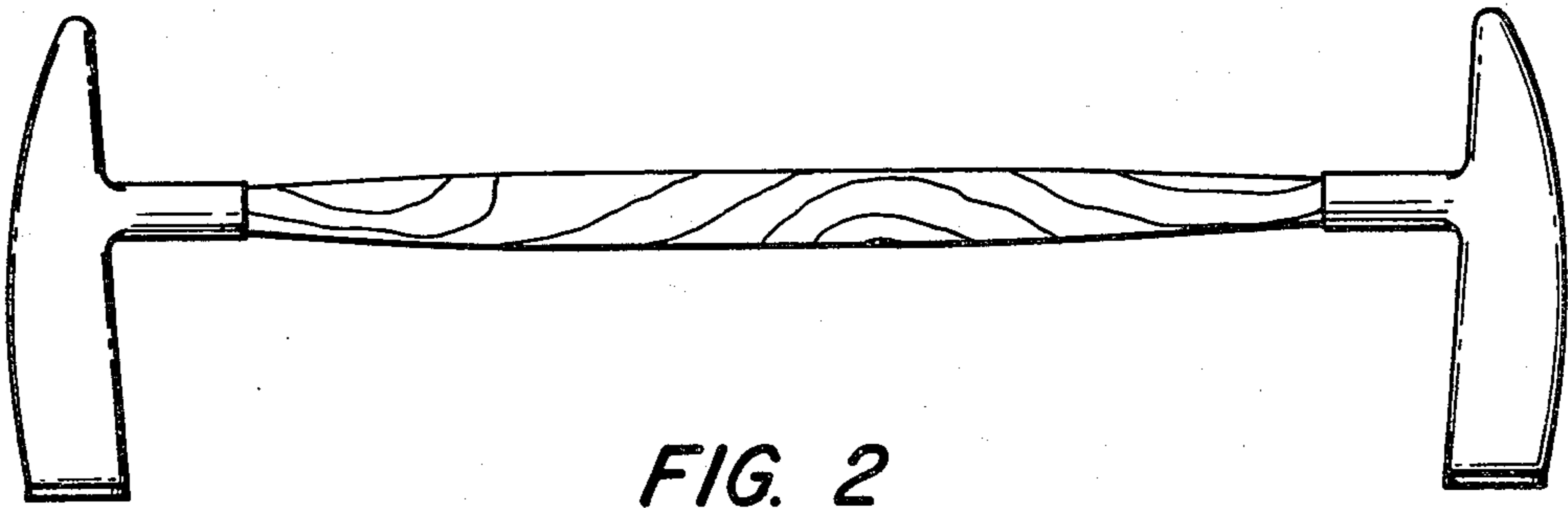


FIG. 2



FIG. 3

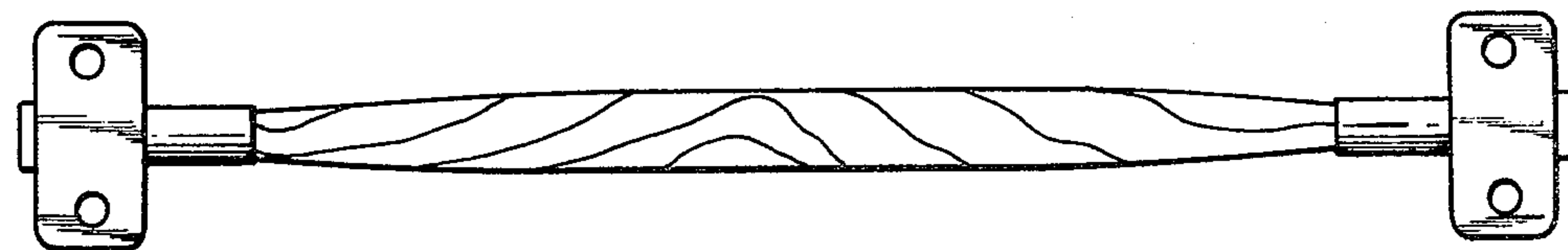


FIG. 4