

[54] CHAIR

[75] Inventor: John W. Caldwell, San Marino, Calif.

[73] Assignee: Pacific Furniture Manufacturing Company, Compton, Calif.

[\*\*] Term: 14 Years

[21] Appl. No.: 280,655

[22] Filed: Jul. 6, 1981

[52] U.S. Cl. .... D6/69; D6/71;  
D6/73; D6/75

[58] Field of Search ..... D6/47-78

[56] References Cited

U.S. PATENT DOCUMENTS

D. 253,678 12/1979 Gibilterra ..... D6/69 X  
D. 266,716 11/1982 Caldwell ..... D6/69

OTHER PUBLICATIONS

Interiors, Sep. 1974, p. 193, Guest Chair, No. 271-0.  
Domus Catalog, Sep. 1979, p. II, Chair by Rosenthal.

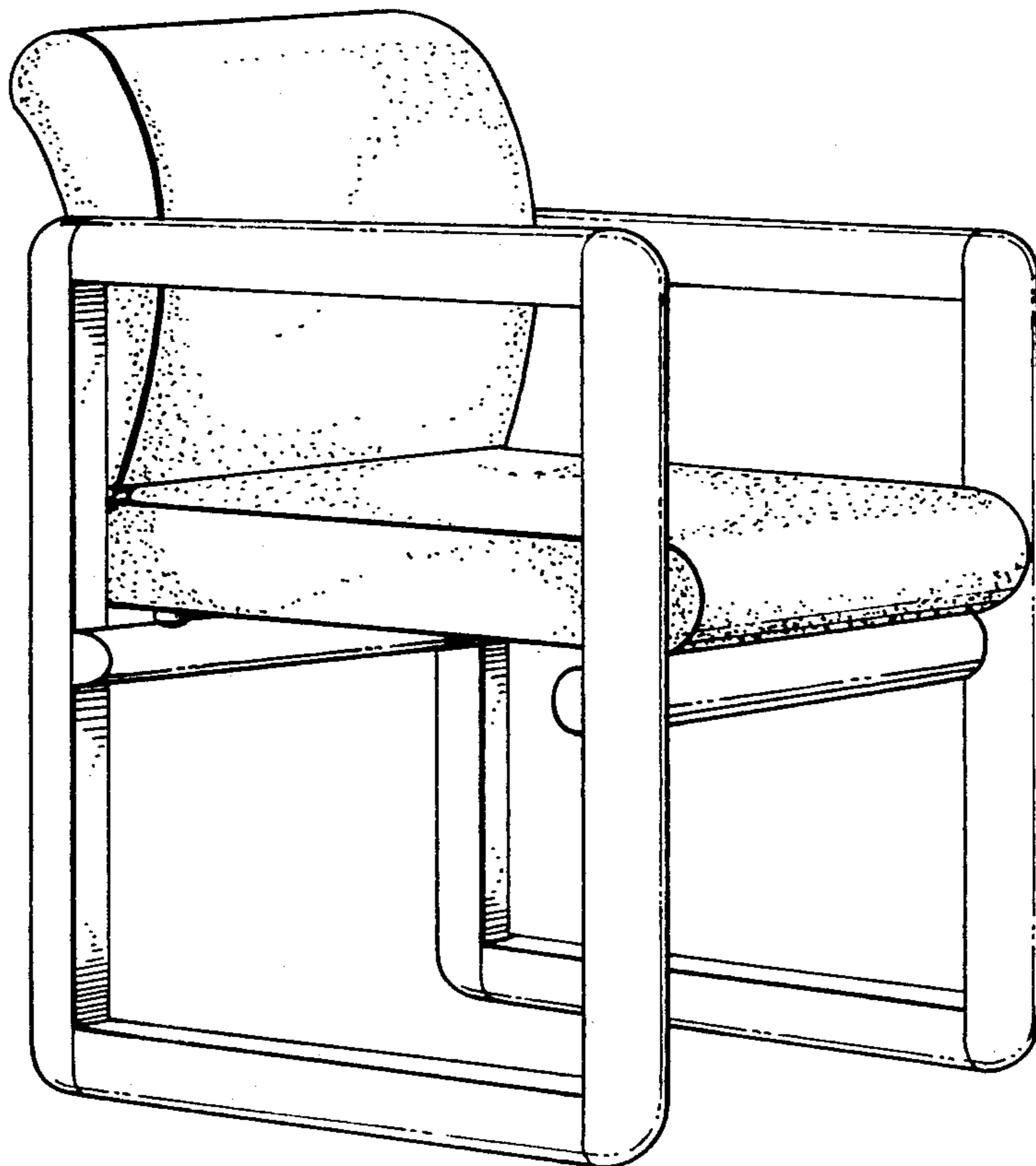
Primary Examiner—Bruce W. Dunkins  
Attorney, Agent, or Firm—Nilsson, Robbins, Dalgarn,  
Berliner, Carson & Wurst

[57] CLAIM

The ornamental design for a chair, as shown and described.

DESCRIPTION

FIG. 1 is a front perspective of a chair showing my design;  
FIG. 2 is a rear perspective thereof;  
FIG. 3 is a top plan view thereof;  
FIG. 4 is a bottom plan view thereof;  
FIG. 5 is a front perspective view showing a second embodiment of the chair of FIG. 1; and  
FIG. 6 is a front perspective view showing a third embodiment of the chair of FIG. 1.



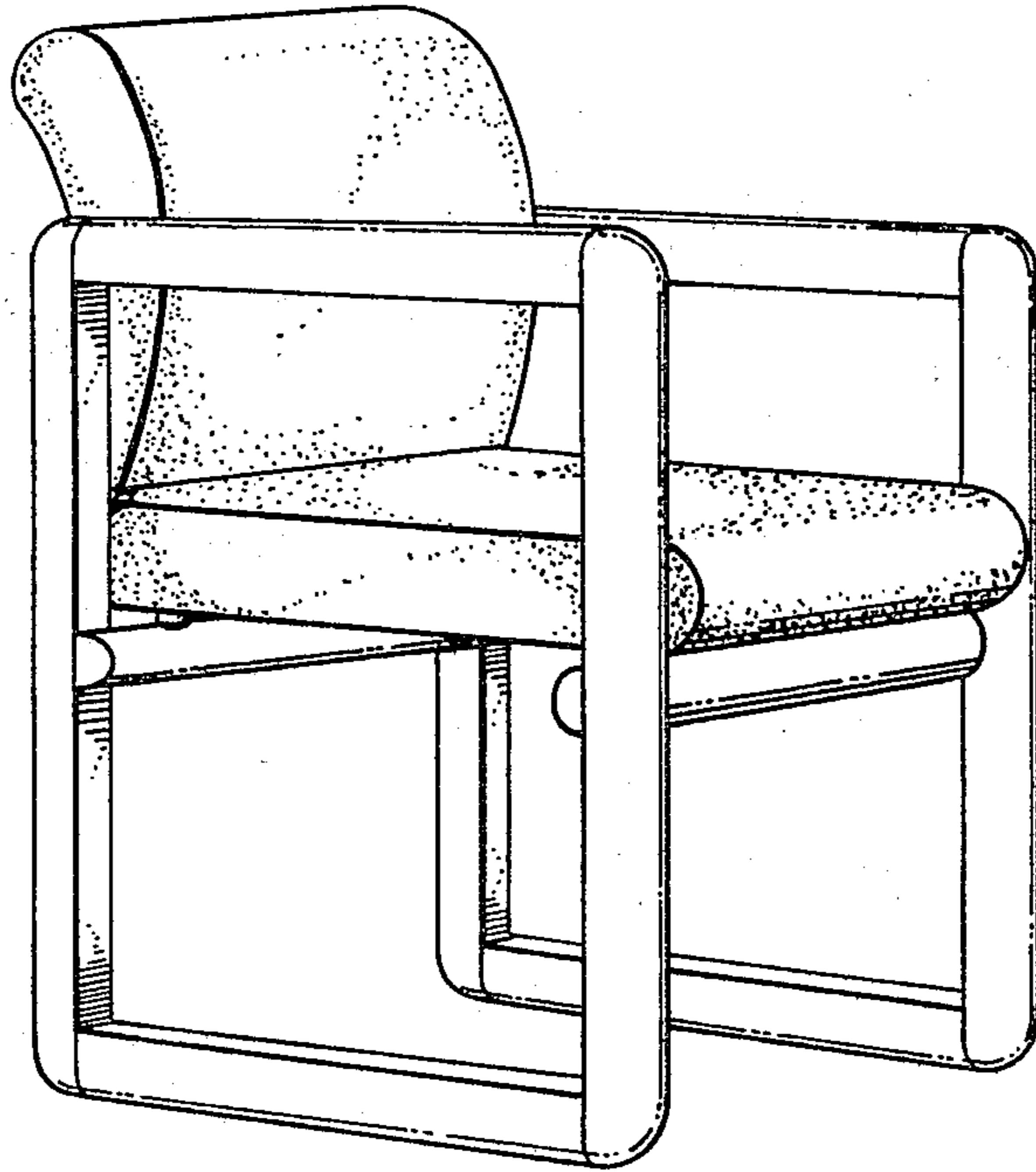


FIG. 1

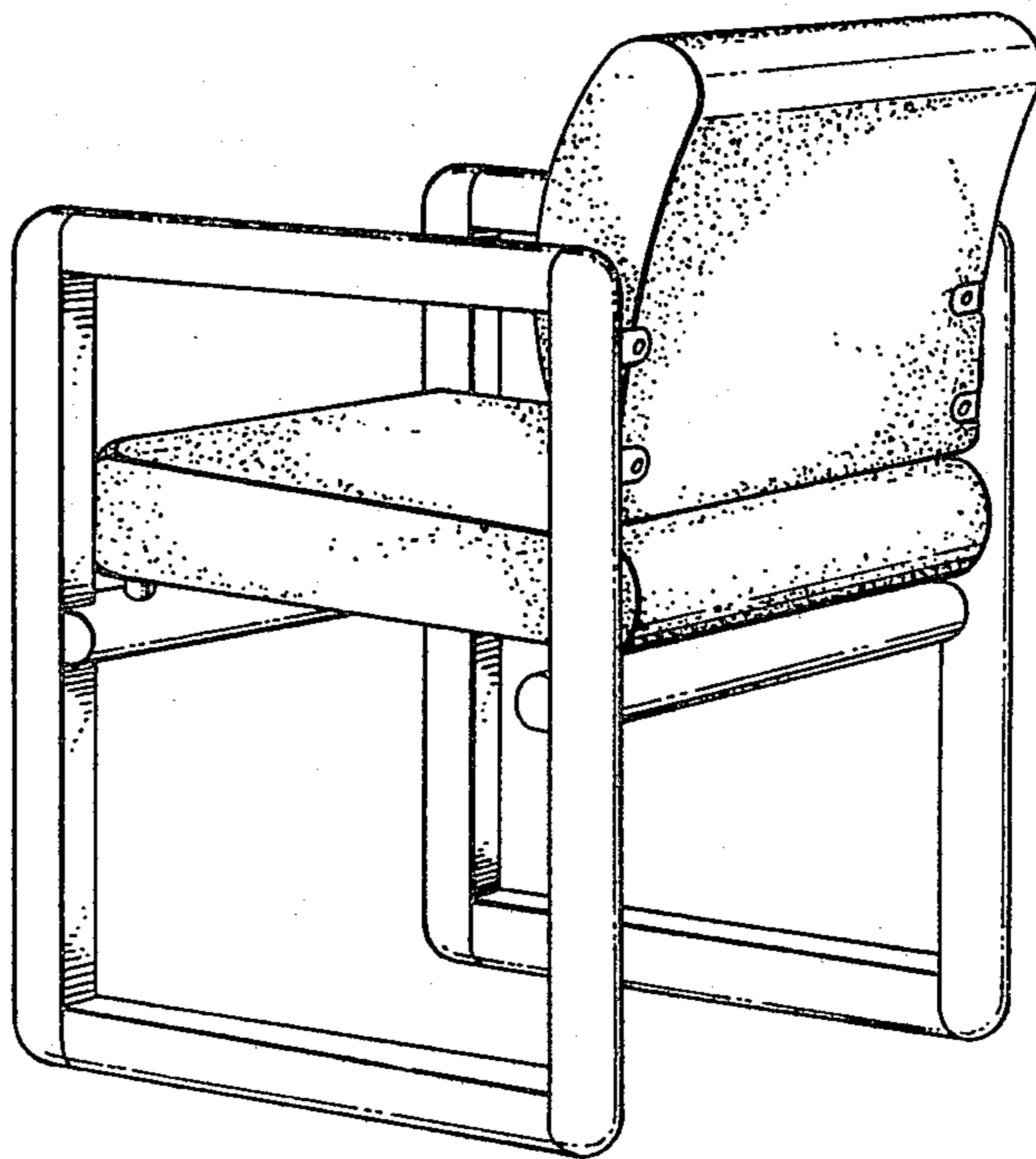


FIG. 2

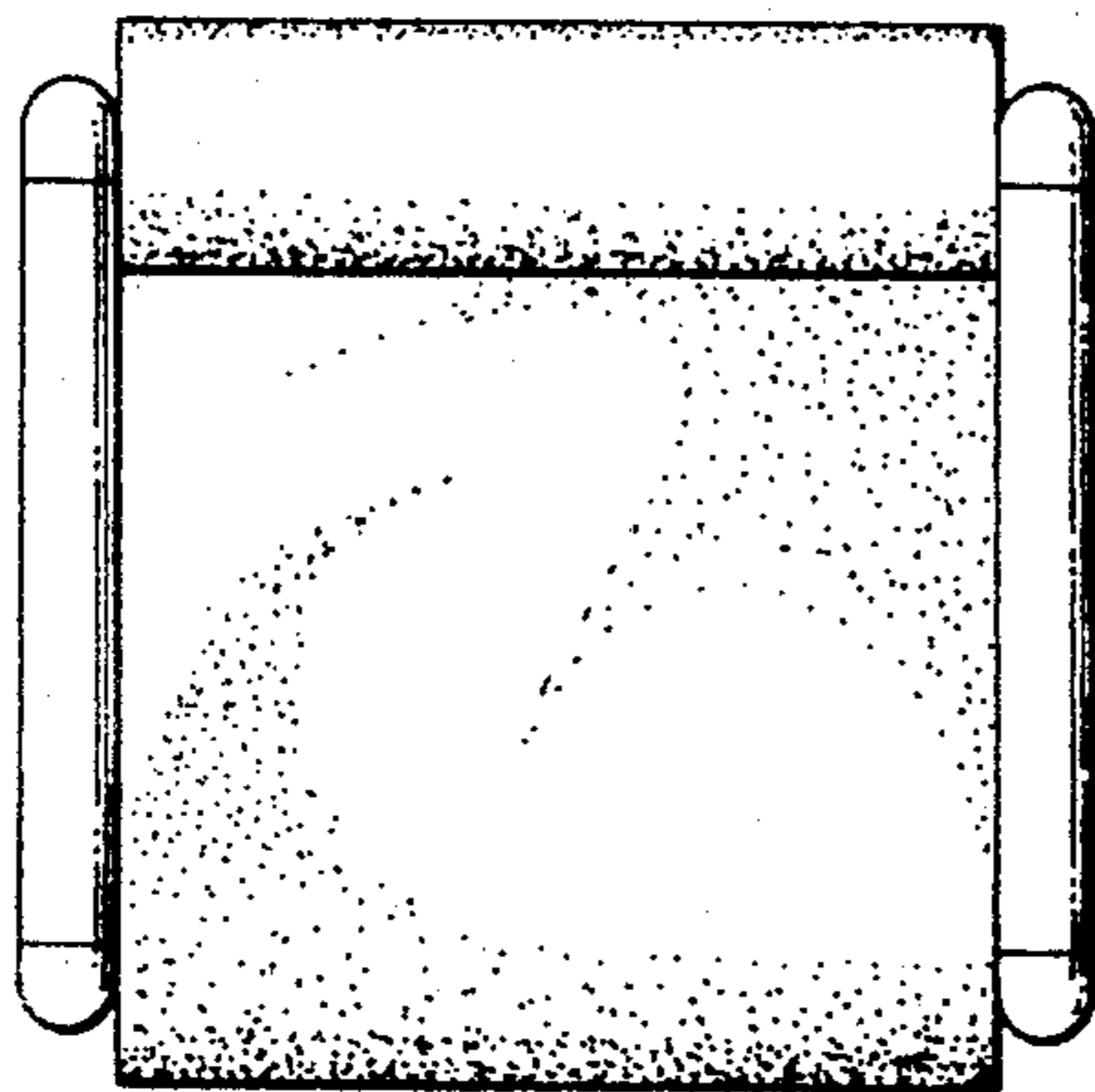


FIG. 3

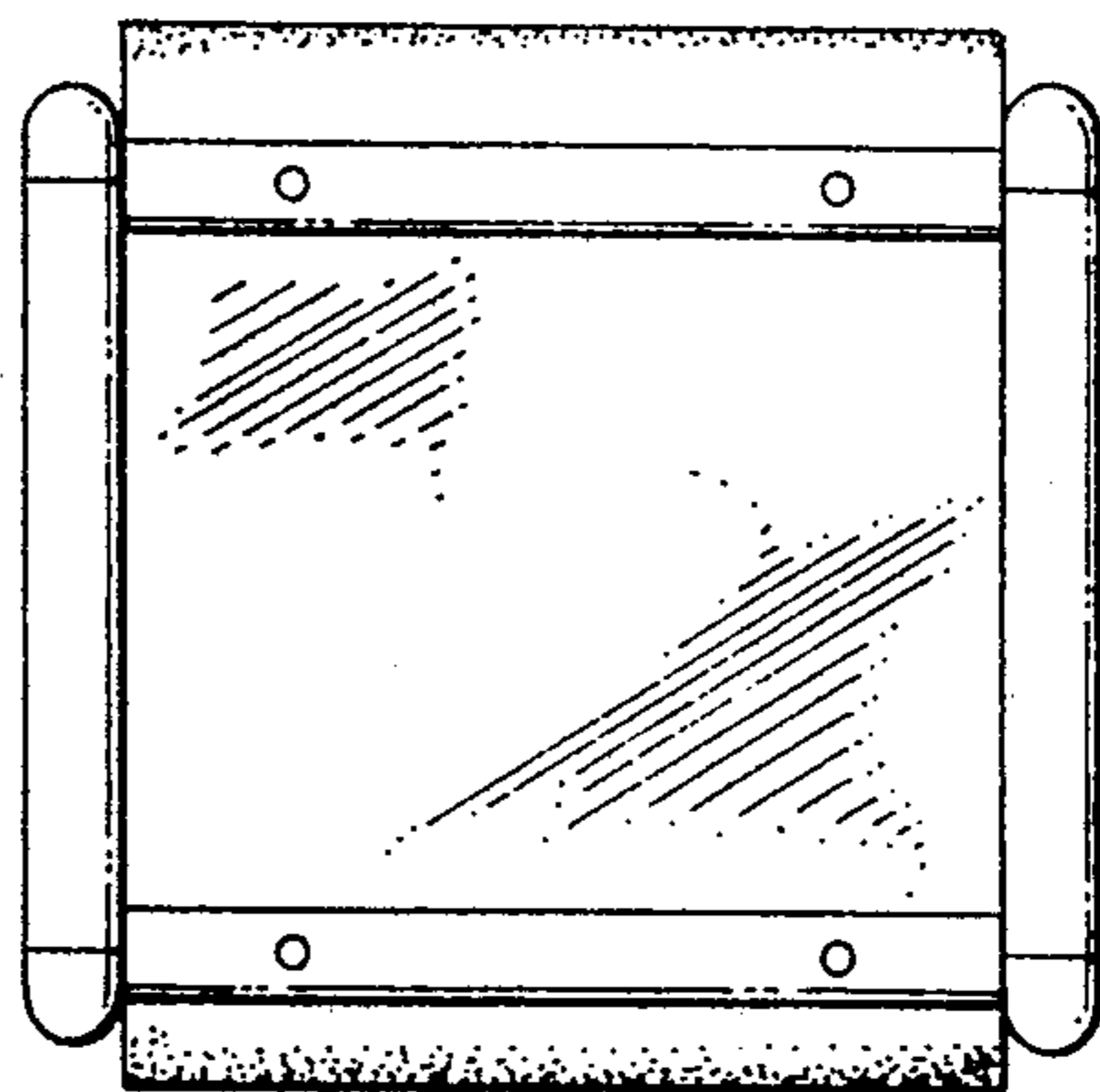


FIG. 4

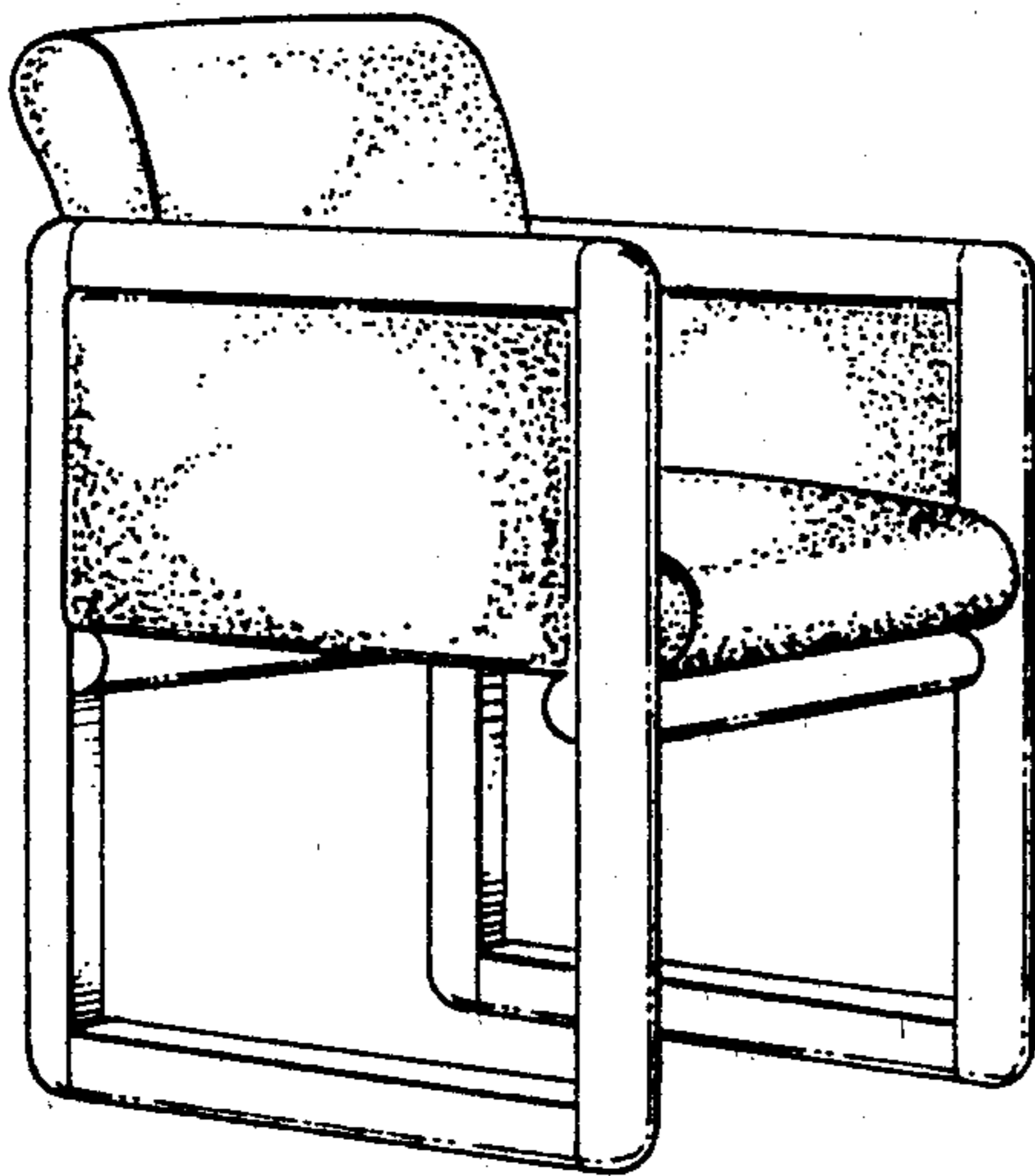


FIG. 5

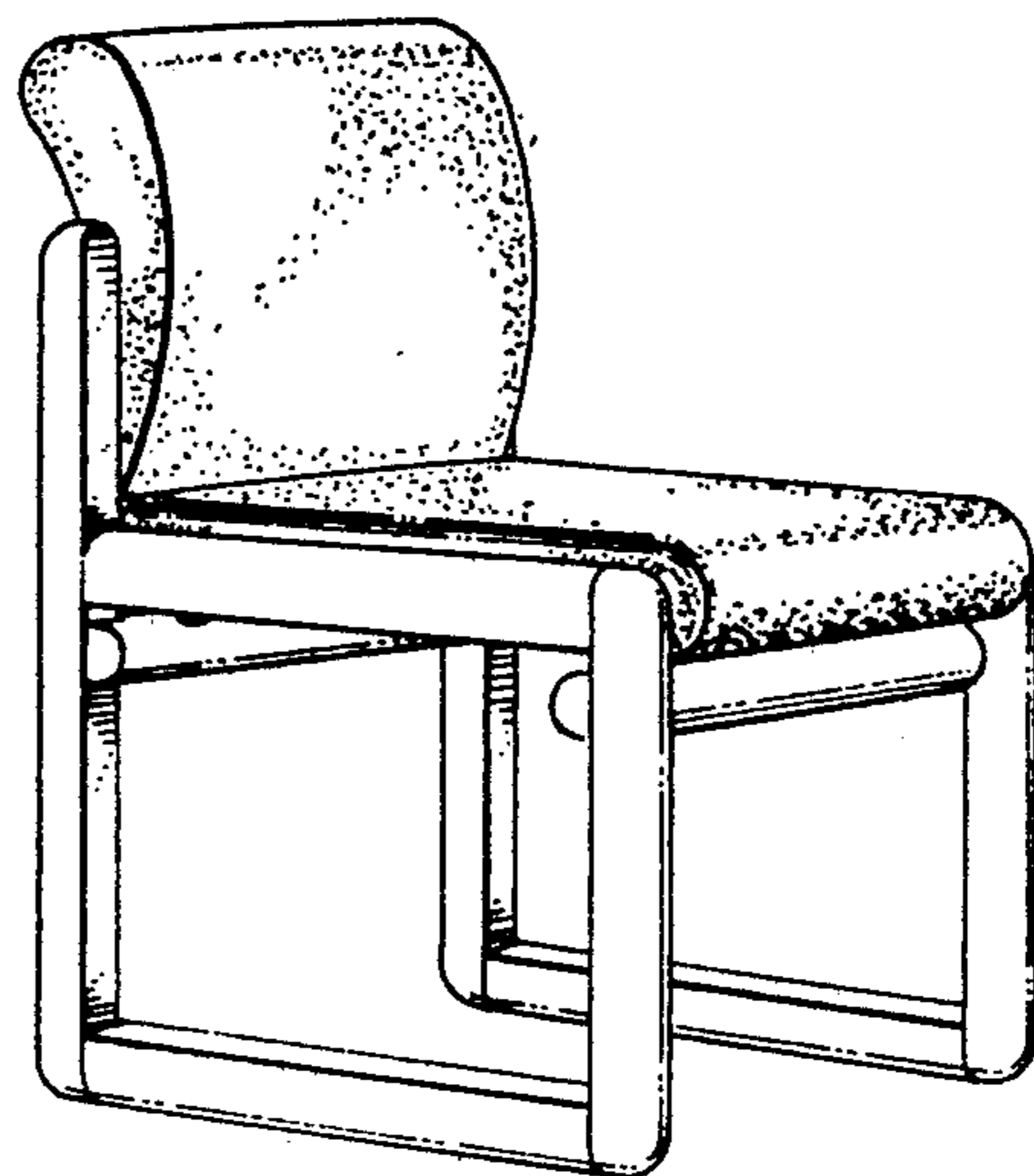


FIG. 6