

[54] ARM CHAIR

[76] Inventor: Donald C. Petitt, 207 W. 86th St.,
New York, N.Y. 10024

[**] Term: 14 Years

[21] Appl. No.: 319,547

[22] Filed: Nov. 9, 1981

[52] U.S. Cl. D6/31

[58] Field of Search D6/20-26,
D6/30, 31, 47, 67-73, 197

[56] References Cited

U.S. PATENT DOCUMENTS

- D. 231,286 4/1974 Dittert D6/31
- D. 233,712 11/1974 Koepke D6/31

- D. 236,302 8/1975 Prizlow D6/31
- D. 249,203 9/1978 Gill D6/31
- D. 260,056 8/1981 Sapper D6/72 X
- 3,907,363 9/1975 Baker et al. D6/31 X

OTHER PUBLICATIONS

Interiors, Mar. 1979, p. 46, Chair at left by Thonet.

Primary Examiner—Bruce W. Dunkins

[57] CLAIM

The ornamental design for an arm chair, as shown.

DESCRIPTION

FIG. 1 is a perspective view of the arm chair of the present invention;
 FIG. 2 is a front view thereof;
 FIG. 3 is a side view thereof; and
 FIG. 4 is a rear view thereof.

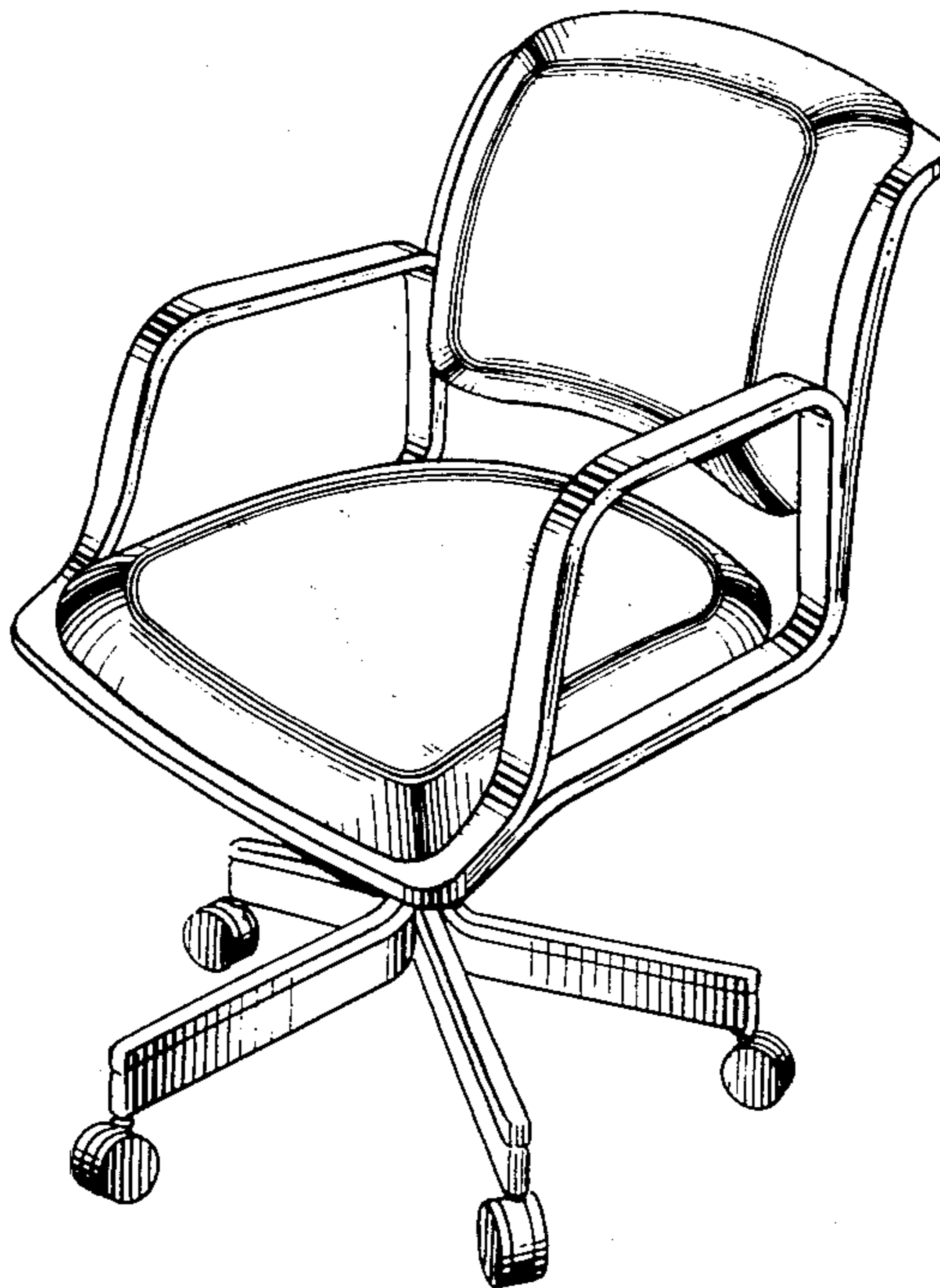


Fig. 2.

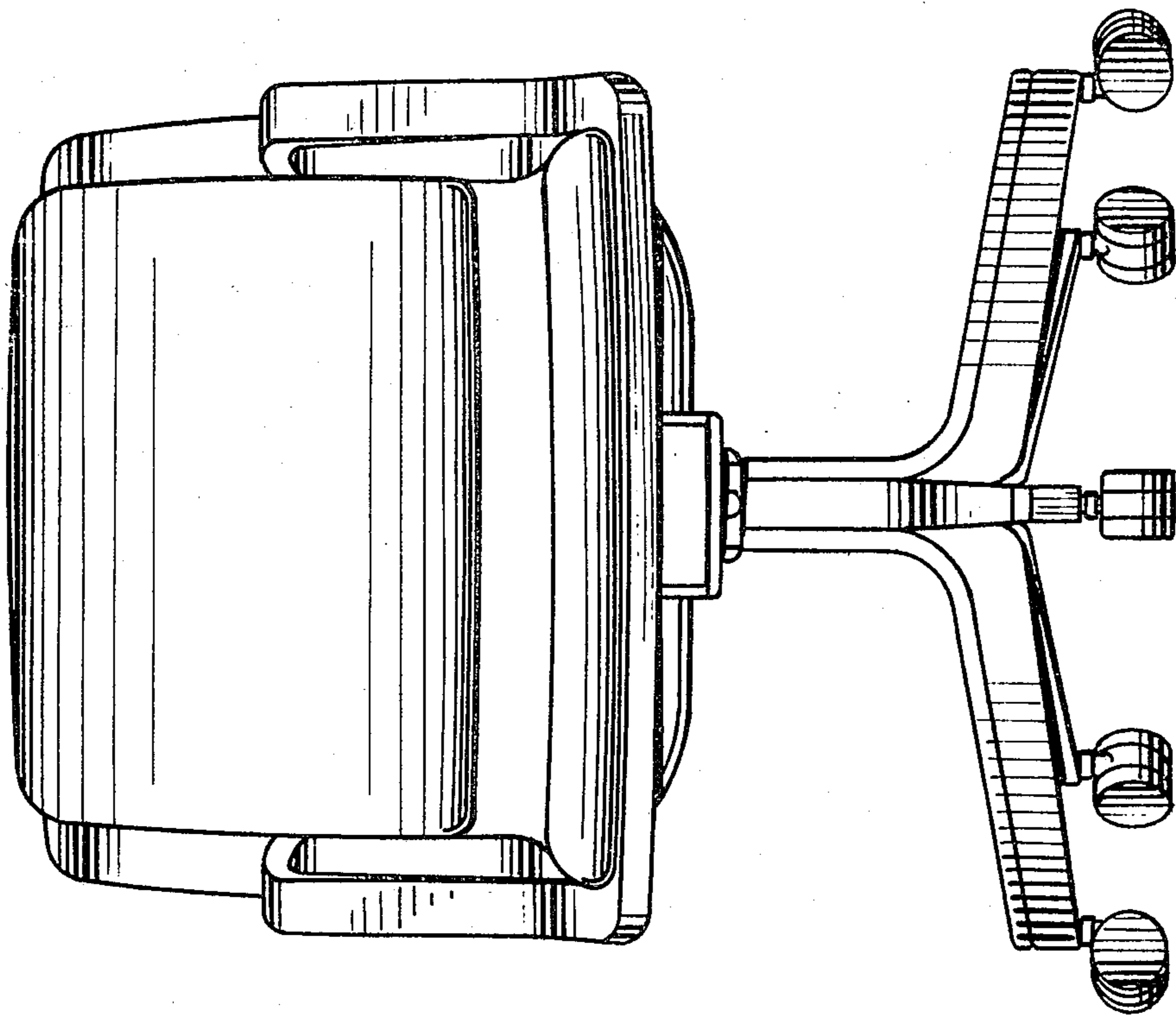


Fig. 1.

