

[54] **COMBINED SEAT AND DETACHABLE TRAY FOR A CHILD**

[76] Inventor: **Bruce E. Byers**, 2405 Dunwoody Ave., Wayzata, Minn. 55391

[**] Term: **14 Years**

[21] Appl. No.: **310,647**

[22] Filed: **Oct. 13, 1981**

[52] U.S. Cl. **D6/12; D6/6; D21/77**

[58] Field of Search **D6/5, 7, 8, 10, 11, D6/12; D21/87, 89, 77**

[56] **References Cited**

U.S. PATENT DOCUMENTS

D. 60,621	3/1922	Marra	D6/10
D. 192,598	4/1962	Snyder	D6/11
D. 202,049	8/1965	Spear, Jr.	D6/11 X
D. 252,413	7/1979	Knight et al.	D6/11 X

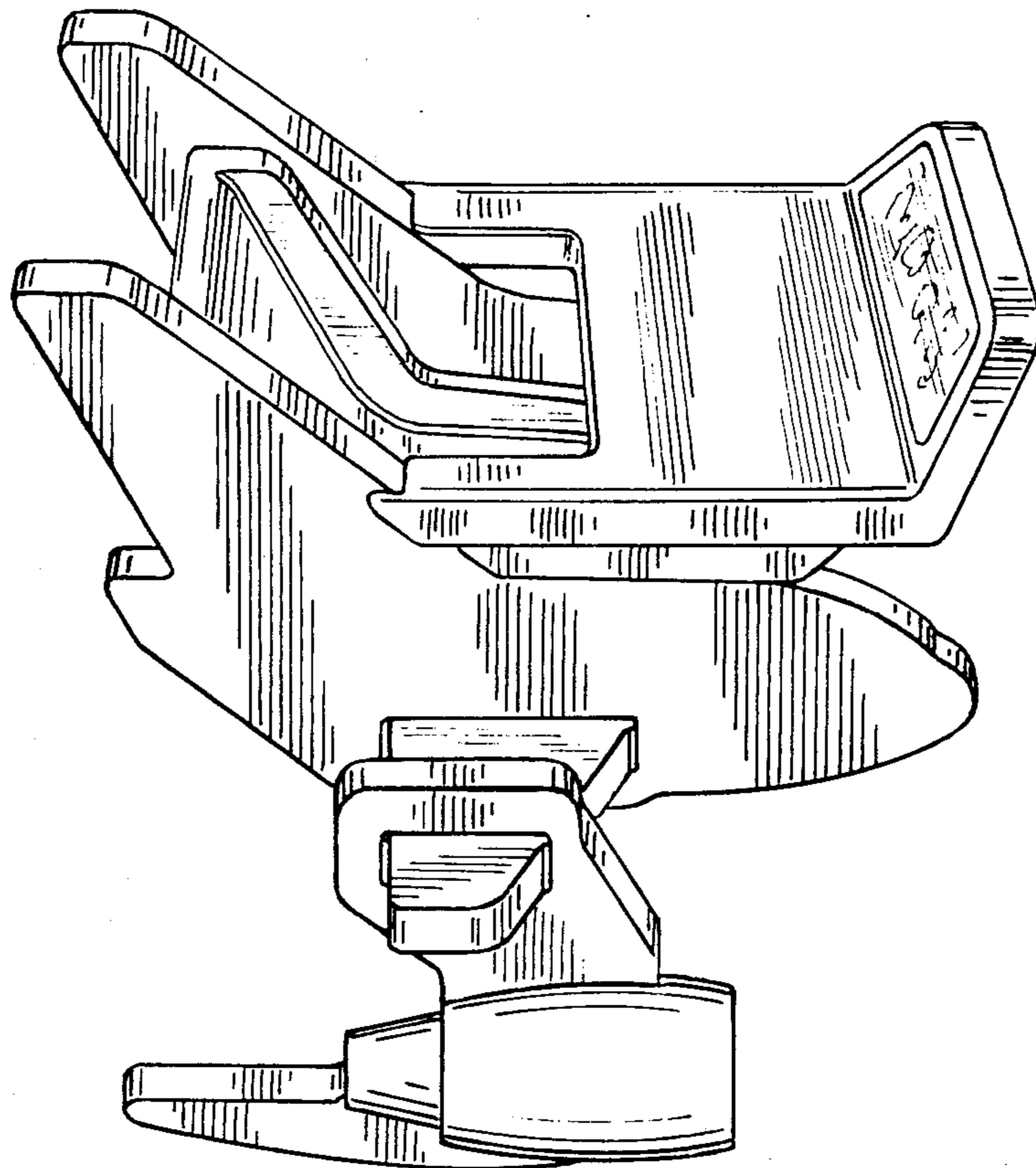
Primary Examiner—Bruce W. Dunkins
Attorney, Agent, or Firm—L. MeRoy Lillehaugen

[57] **CLAIM**

The ornamental design for a combined seat and detachable tray for a child, substantially as shown and described.

DESCRIPTION

FIG. 1 is a perspective view showing my design for a combined seat and detachable tray for a child; FIG. 2 is a perspective view similar to FIG. 1, but showing the article wherein the detachable tray is removed for convenience of illustration; FIG. 3 is a side elevational view thereof, the opposite side being a mirror image thereof; FIG. 4 is a top plan view thereof; FIG. 5 is a bottom plan view thereof; FIG. 6 is a front elevational view thereof; and FIG. 7 is a rear elevational view thereof.



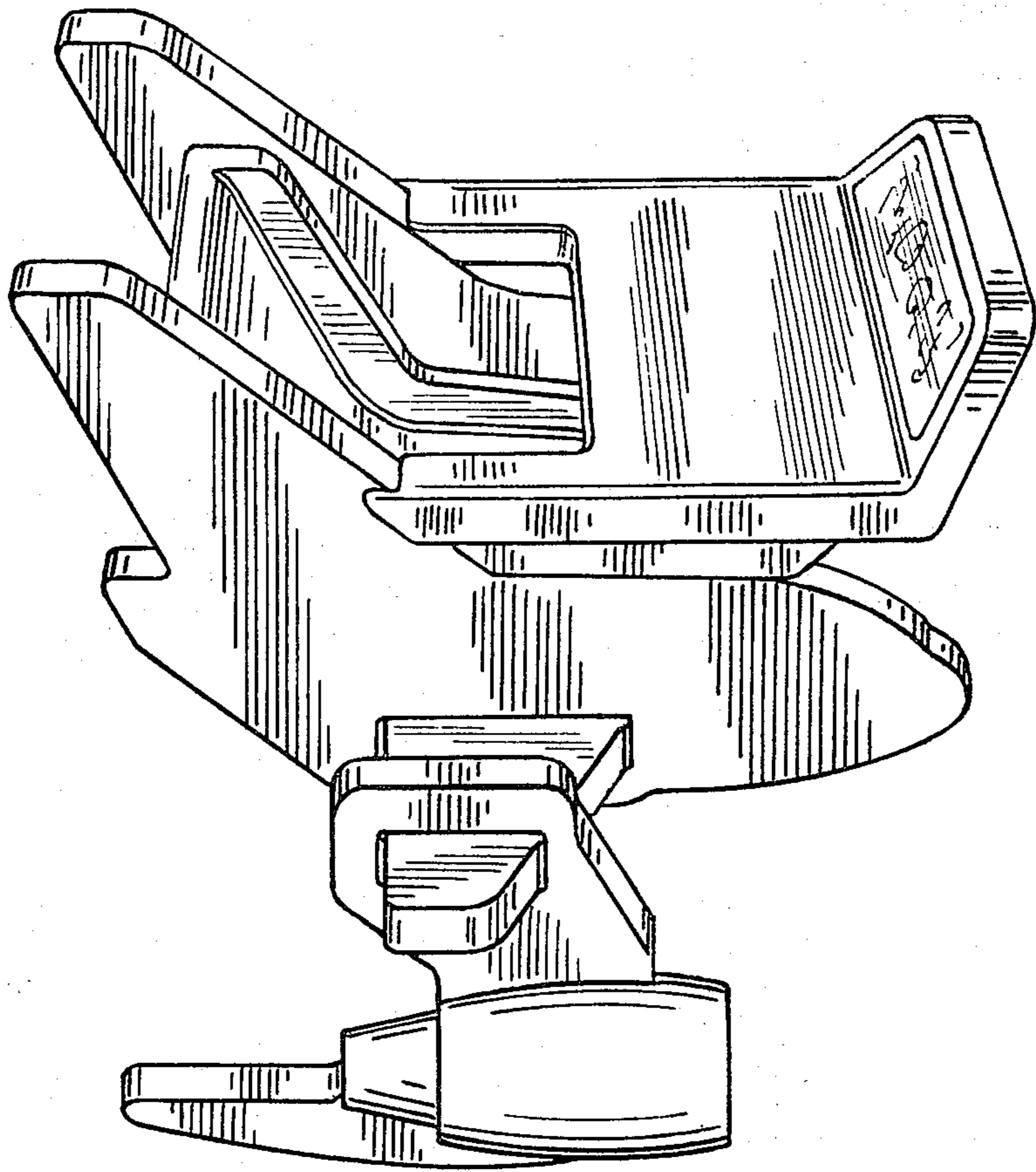


FIG. 1

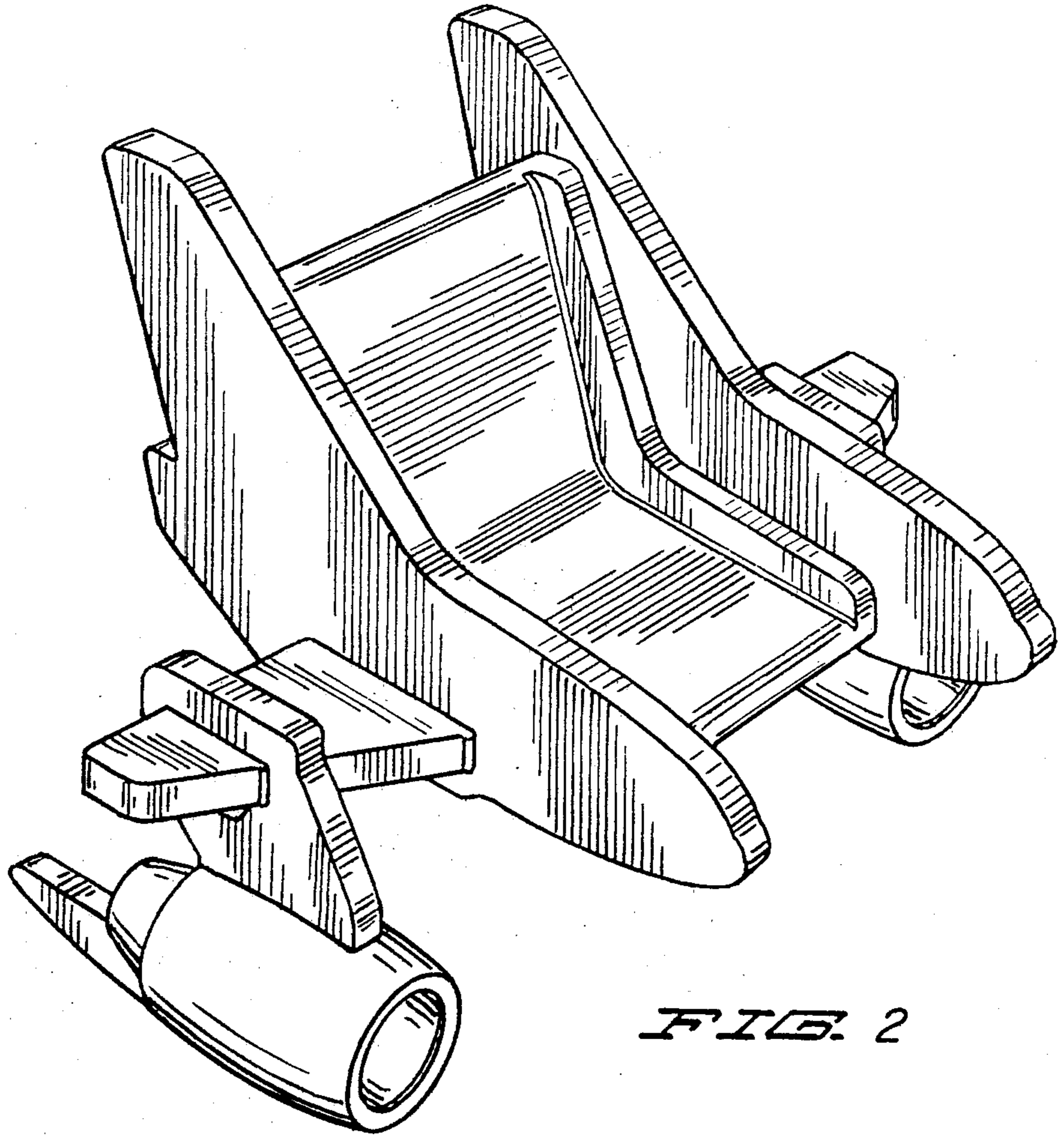


FIG. 2

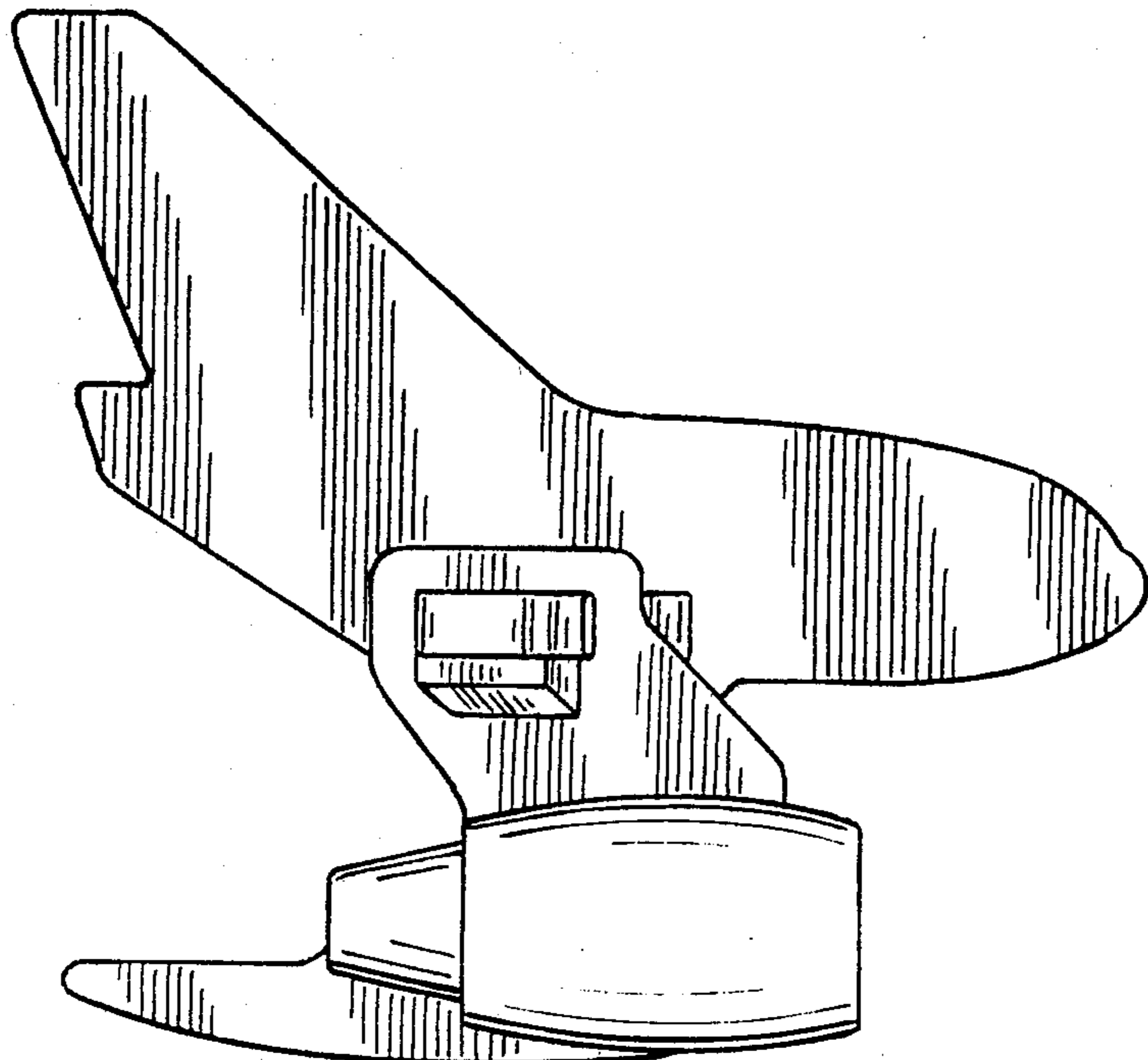


FIG. 3

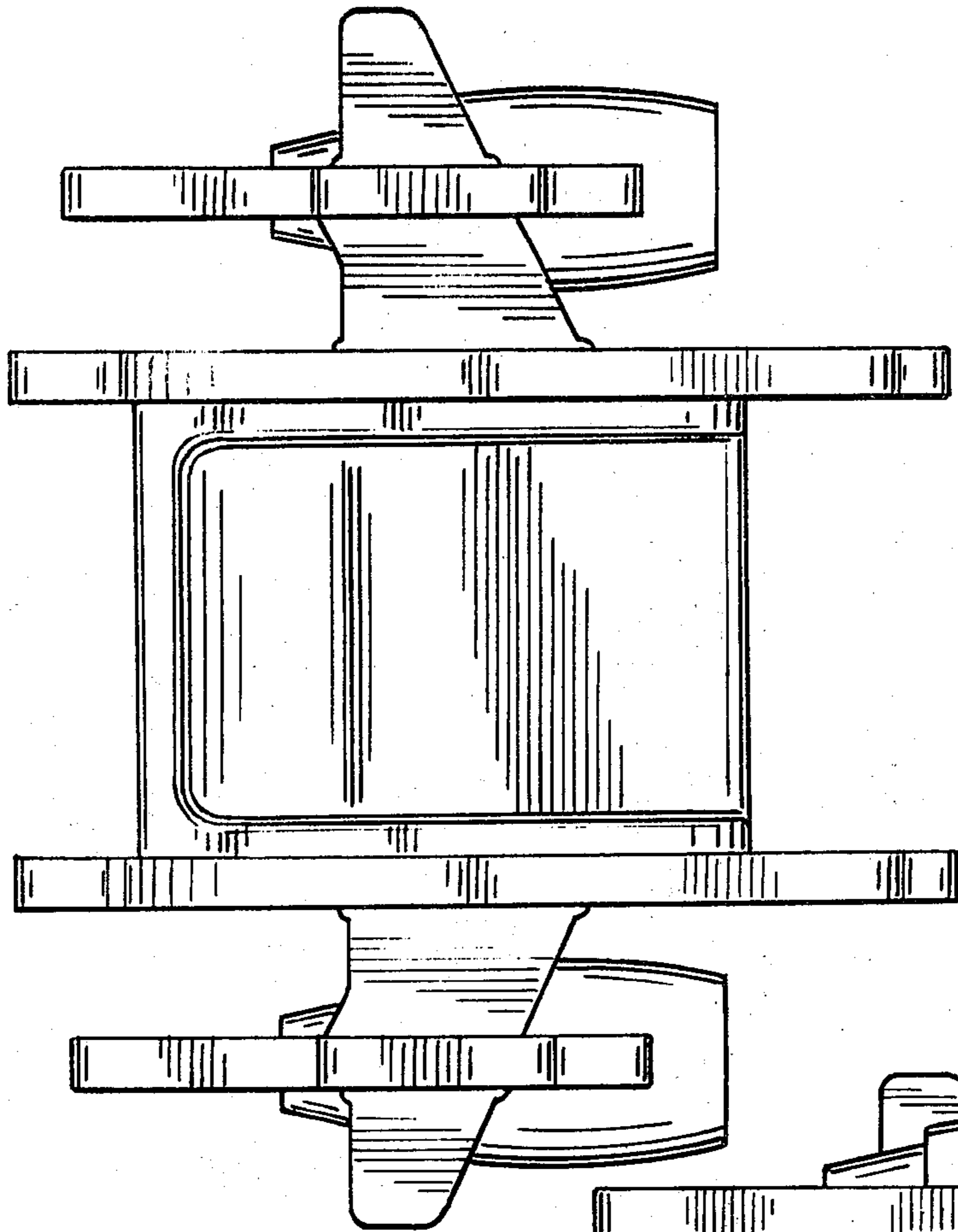


FIG. 4

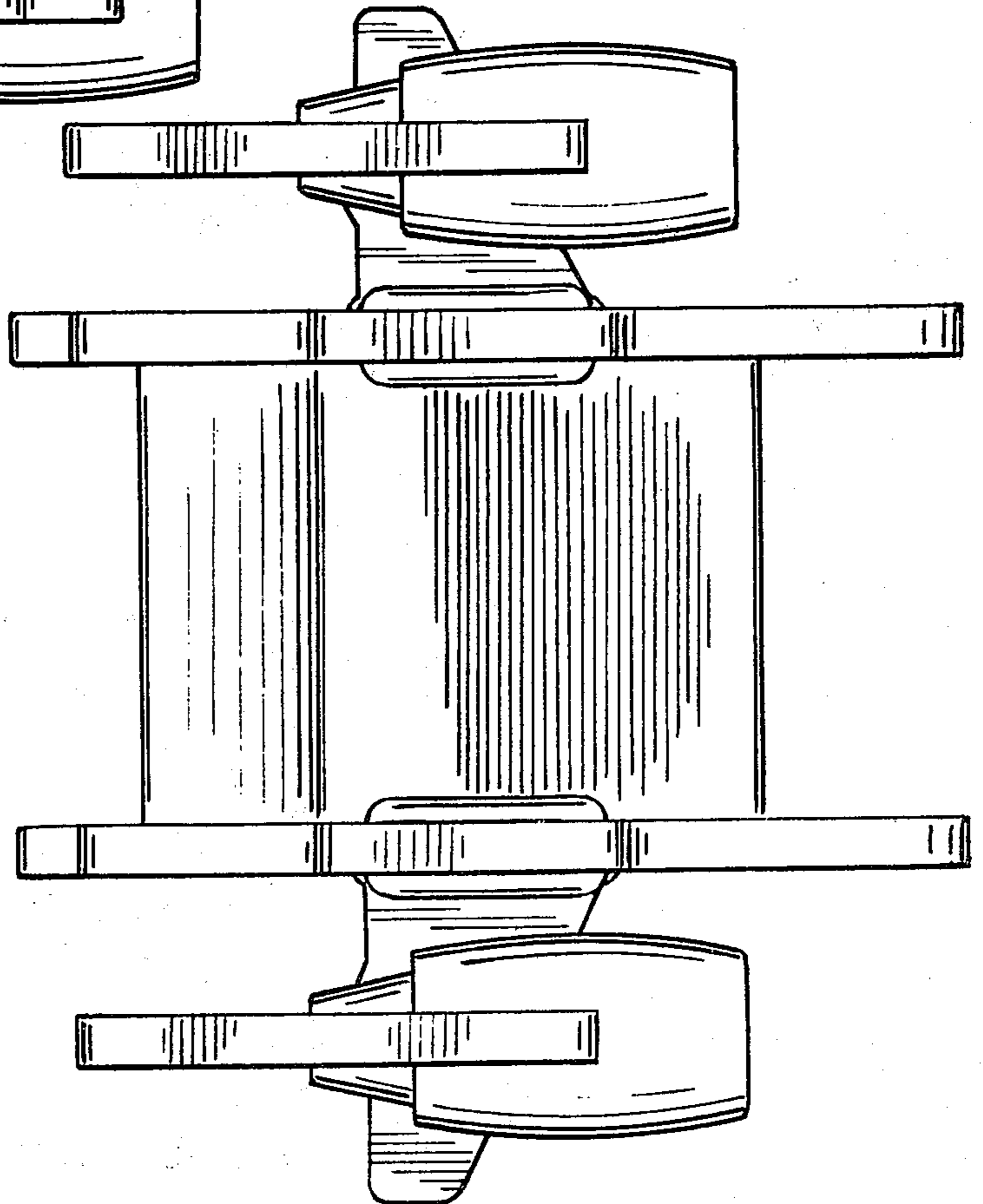


FIG. 5

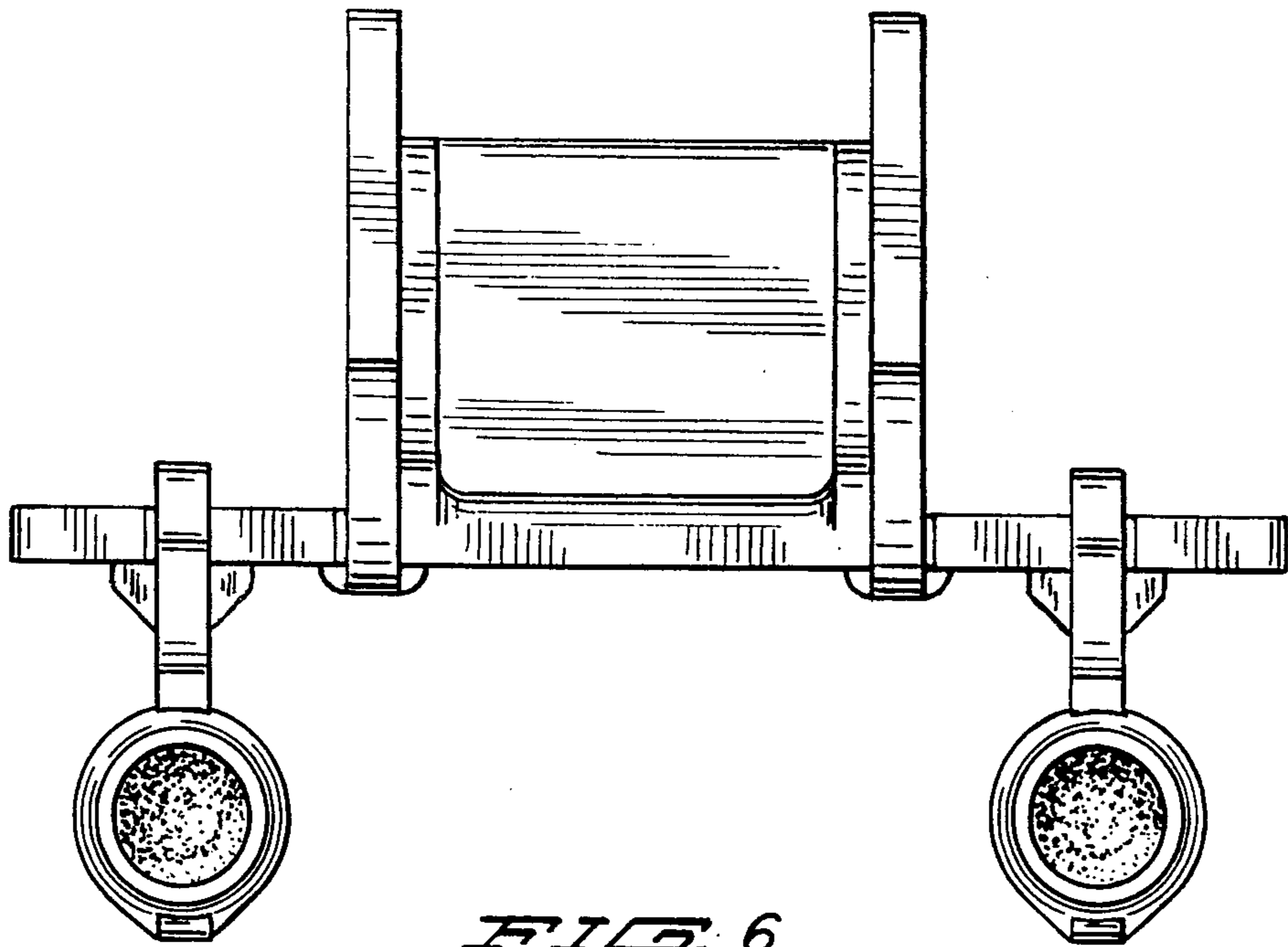


FIG. 6

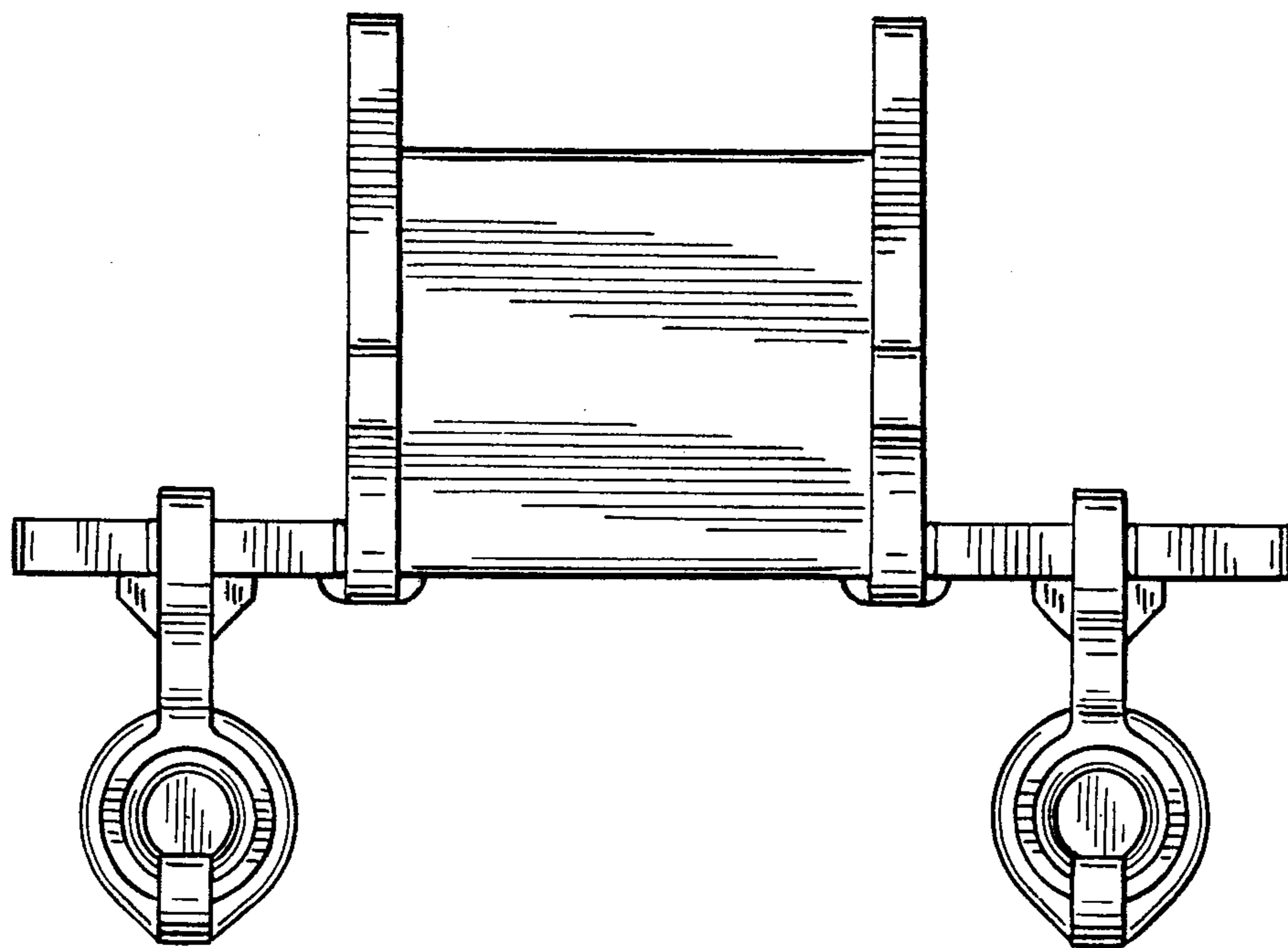


FIG. 7