

[54] TOOTHBRUSH

[76] Inventor: Soichiro Usui, One Hook Rd., Rye, N.Y. 10580

[**] Term: 14 Years

[21] Appl. No.: 332,811

[22] Filed: Dec. 21, 1981

[52] U.S. Cl. D4/25

[58] Field of Search D4/24, 25, 28; 15/167 R

[56] References Cited

U.S. PATENT DOCUMENTS

D. 96,599 8/1935 Gilbert et al. 15/167 R X

D. 102,048 11/1936 Brothers et al. D4/28

D. 142,917 11/1945 Strieby D4/25

D. 209,736 1/1968 Halm D4/25

D. 240,981 8/1976 Hill et al. D4/25

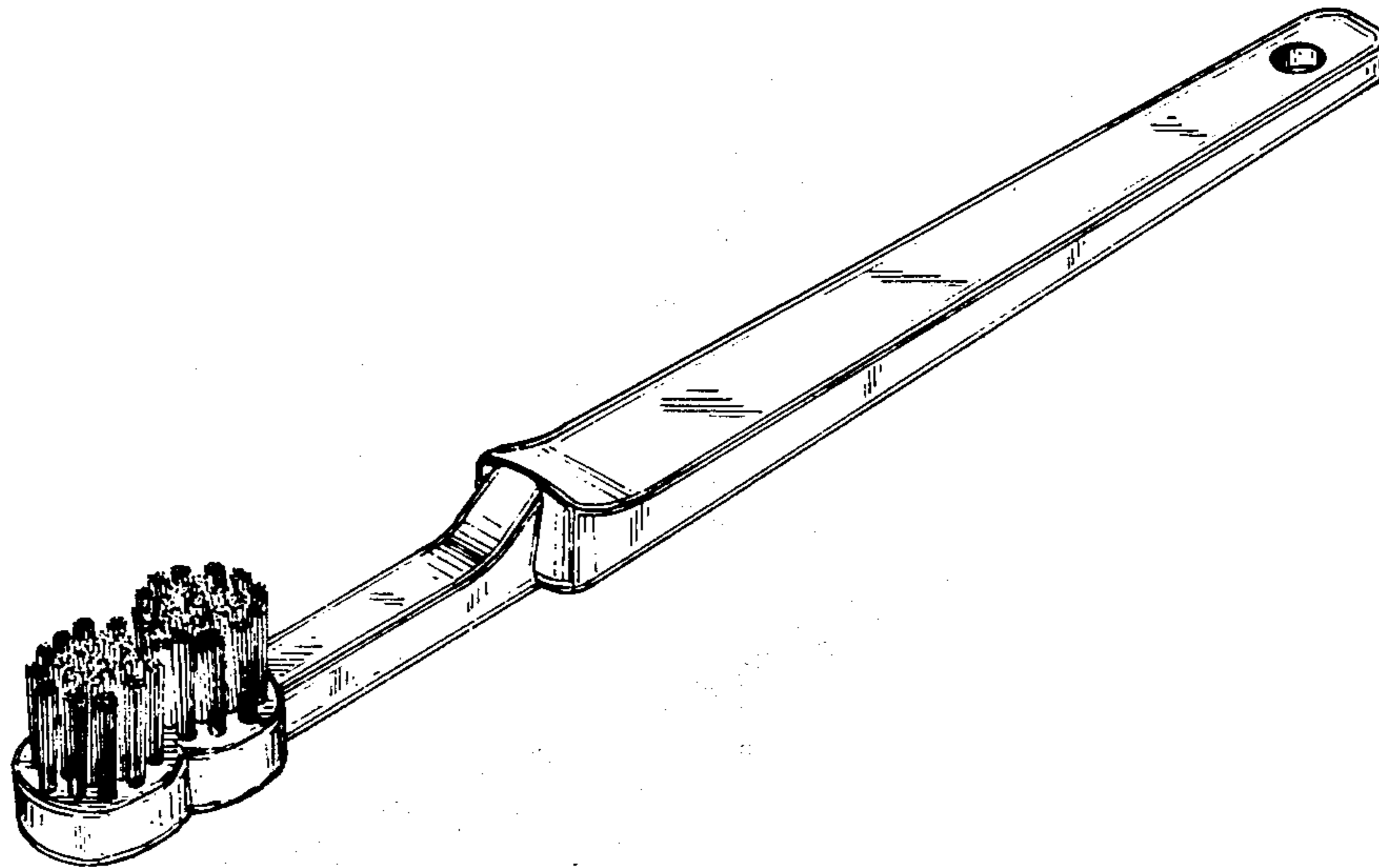
Primary Examiner—Catherine E. Kemper
Attorney, Agent, or Firm—Morgan, Finnegan, Pine, Foley & Lee

[57] CLAIM

The ornamental design for a toothbrush, as shown.

DESCRIPTION

FIG. 1 is a perspective view taken from the top, left and upper side of a toothbrush showing my new design; FIG. 2 is a top plan view thereof; FIG. 3 is a right side elevational view of FIG. 2; FIG. 4 is a bottom plan view of FIG. 2.



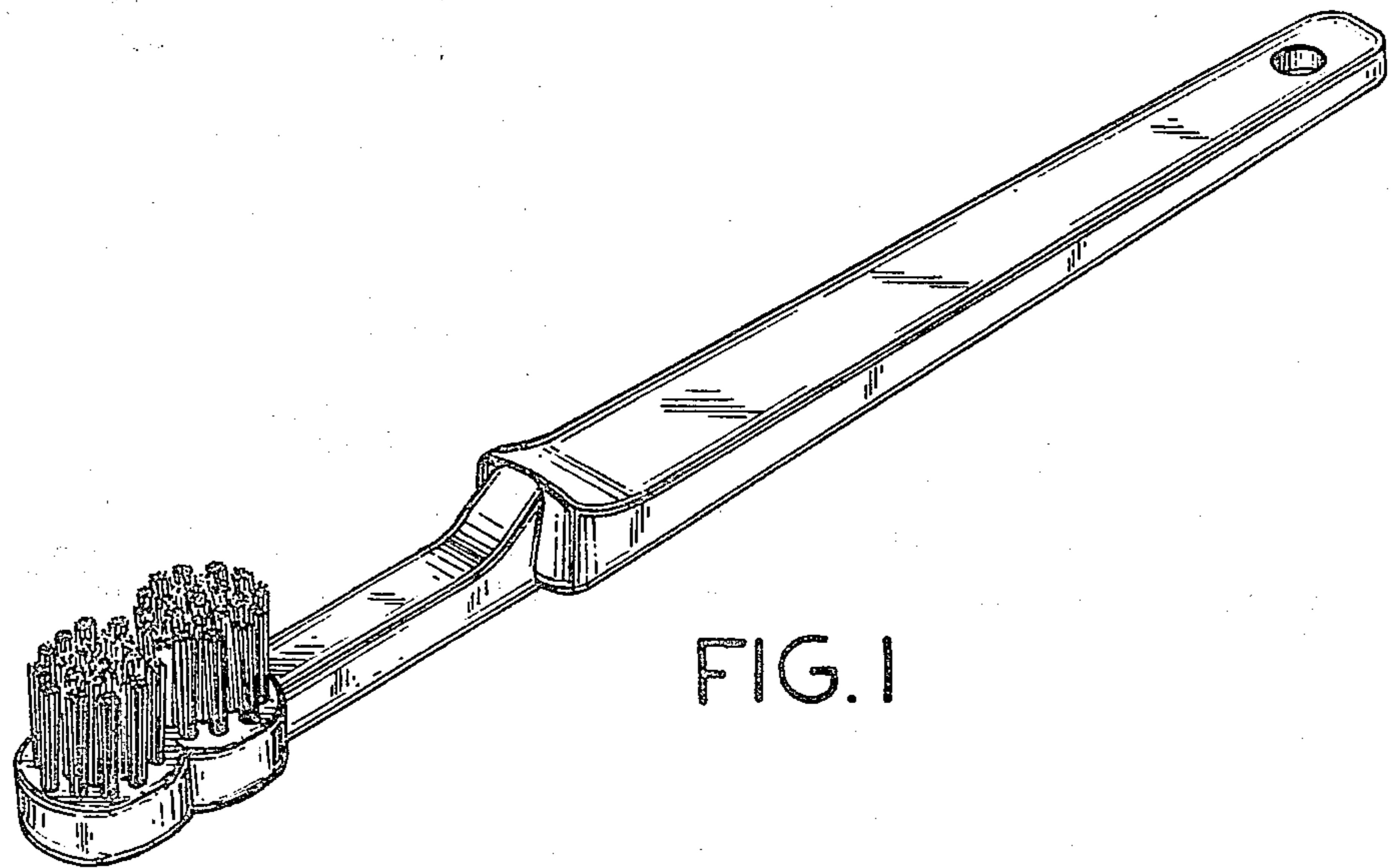


FIG. 1

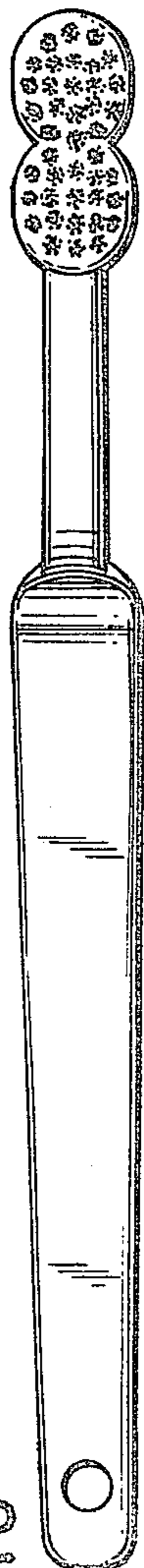


FIG. 2

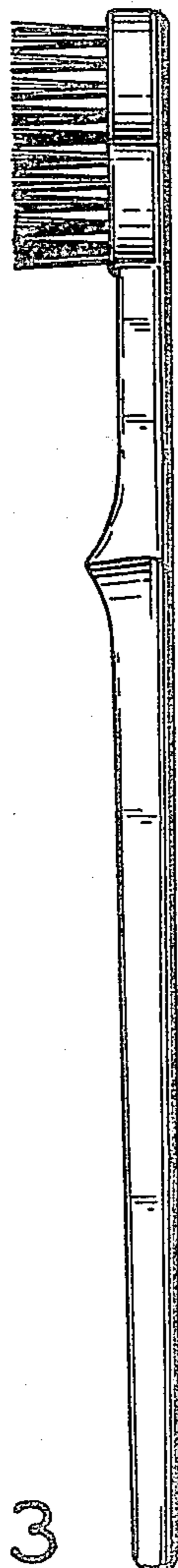


FIG. 3



FIG. 4