

[54] BIRD FEEDER

[76] Inventor: George C. Sun, One Cherry Hill, Cherry Hill, N.J. 08002

[\*\*] Term: 14 Years

[21] Appl. No.: 369,202

[22] Filed: Apr. 16, 1982

[52] U.S. Cl. .... D30/14; 119/51 R

[58] Field of Search ..... D30/13-18; 119/51 R, 51.5, 52 R, 61

3,185,133 5/1965 Bird ..... 119/52 R X  
4,261,294 4/1981 Bescherer ..... 119/51 R  
4,361,116 11/1982 Kilham ..... 119/51 R

Primary Examiner—James R. Largen  
Attorney, Agent, or Firm—Weiser, Stapler & Kimmelman

[57] CLAIM

The ornamental design for a bird feeder, substantially as shown and described.

DESCRIPTION

FIG. 1 is a perspective view taken from the top, front and right side of a bird feeder showing my new design; FIG. 2 is a front elevational view thereof; FIG. 3 is a rear elevational view thereof; FIG. 4 is a top plan view thereof; FIG. 5 is a bottom plan view thereof; FIG. 6 is a right-side elevational view thereof; and FIG. 7 is a left-side elevational view thereof.

[56] References Cited

U.S. PATENT DOCUMENTS

- D. 265,939 8/1982 Kilham ..... D30/14
- D. 268,619 4/1983 Blasbalg ..... D30/15
- D. 269,300 6/1983 Blasbalg ..... D30/15
- 2,504,282 4/1950 Tobias ..... D30/14 X
- 3,076,433 2/1963 Kofsky ..... 119/51 R

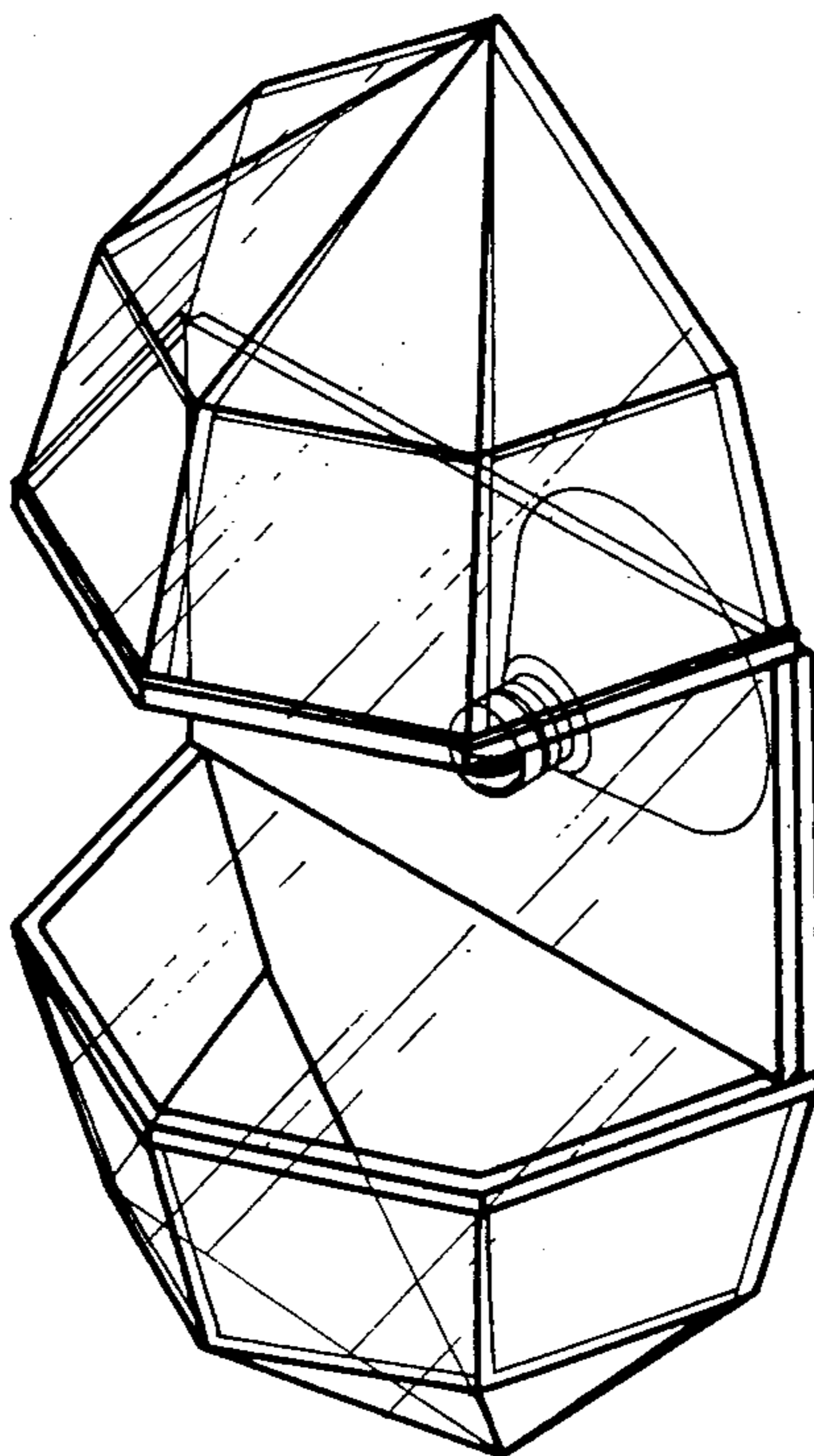
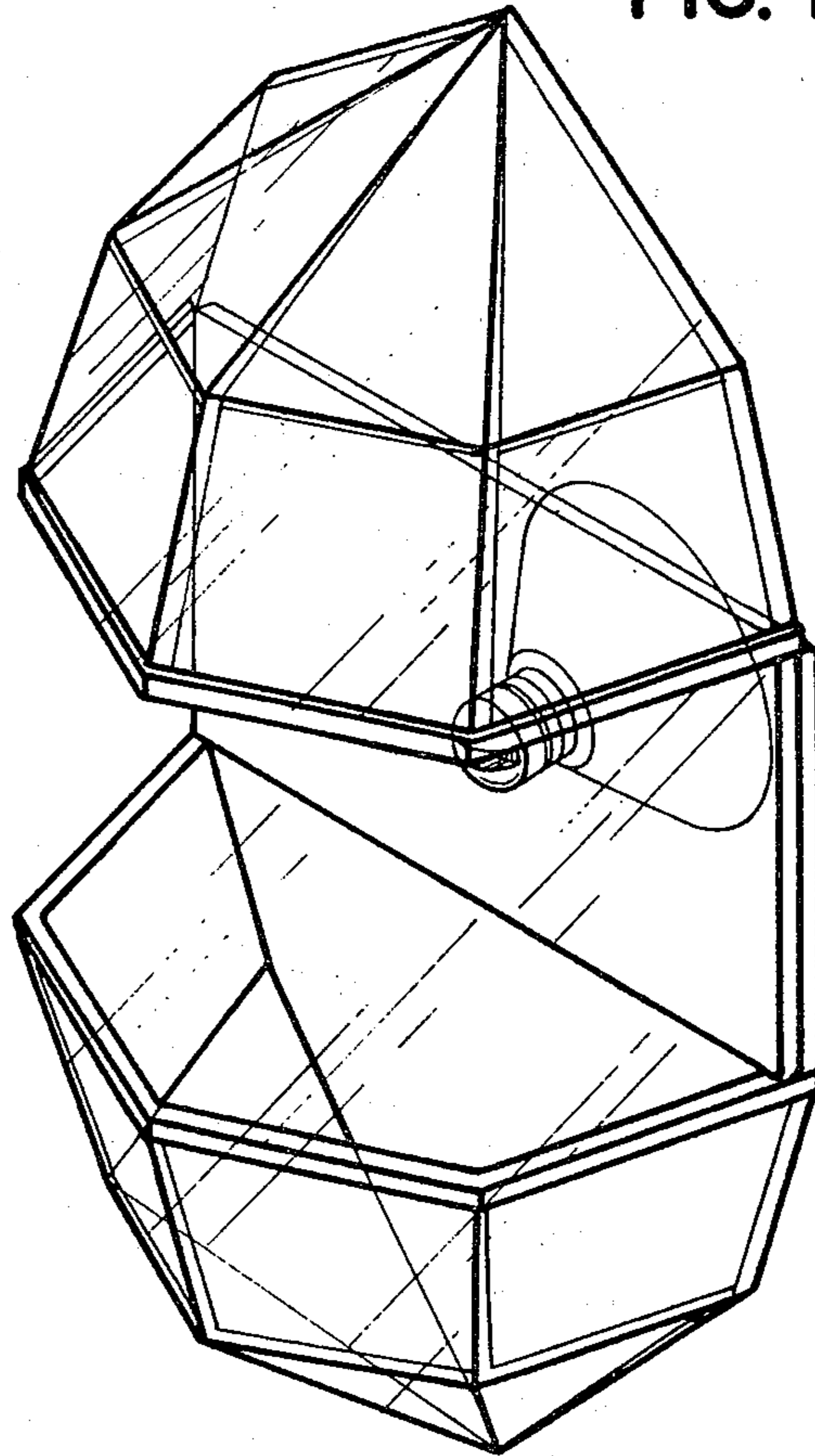


FIG. 1



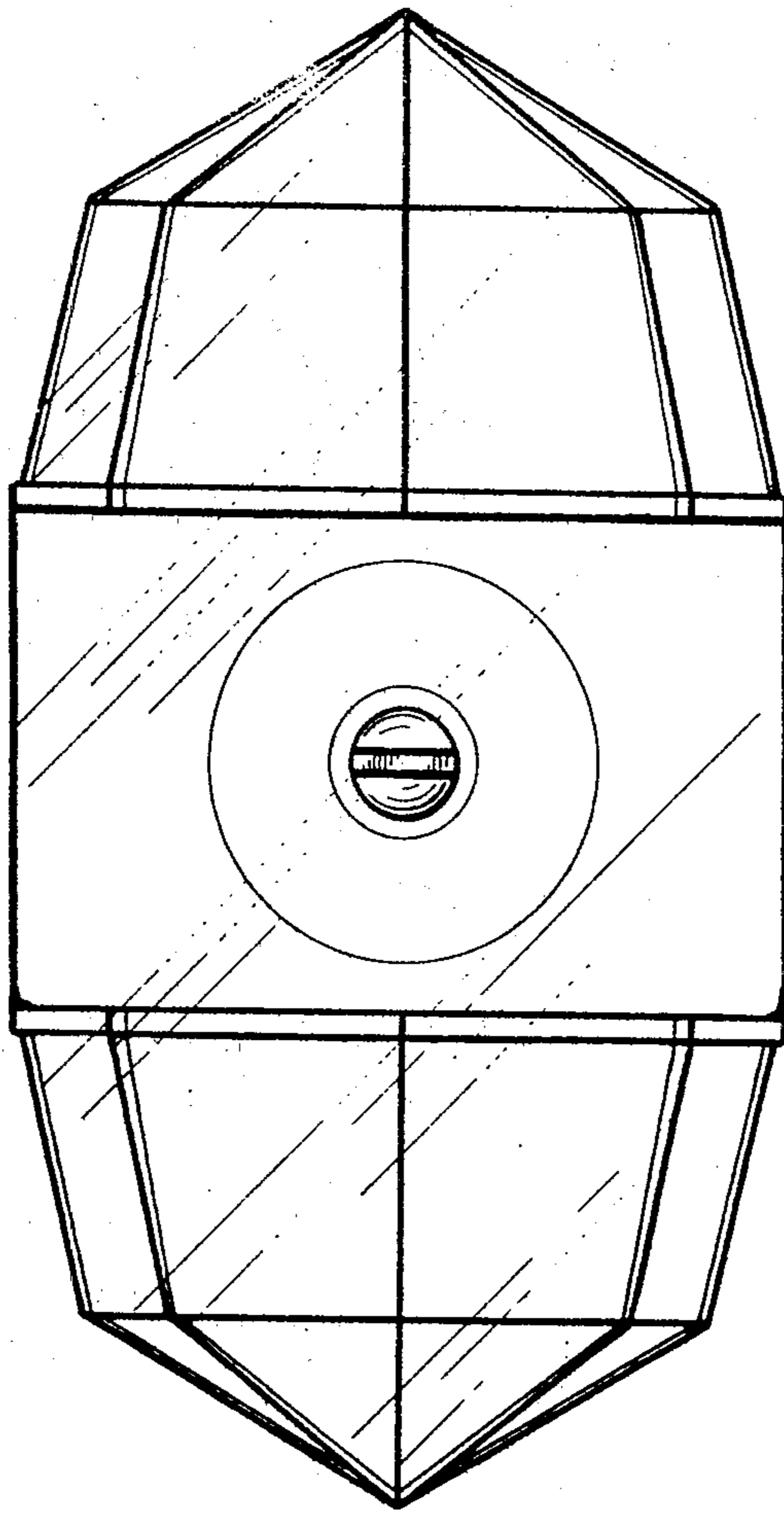
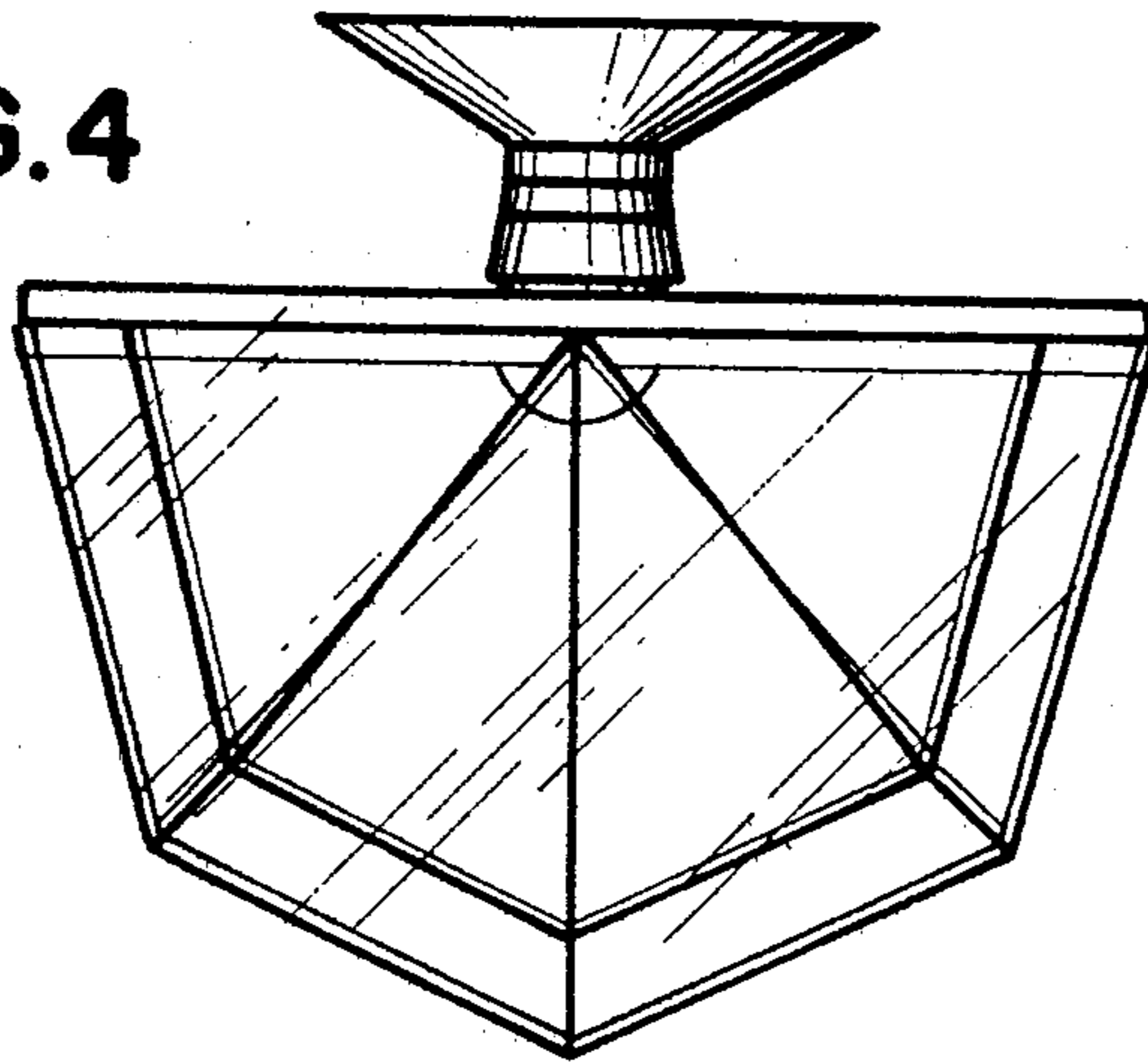


FIG. 2

FIG. 4



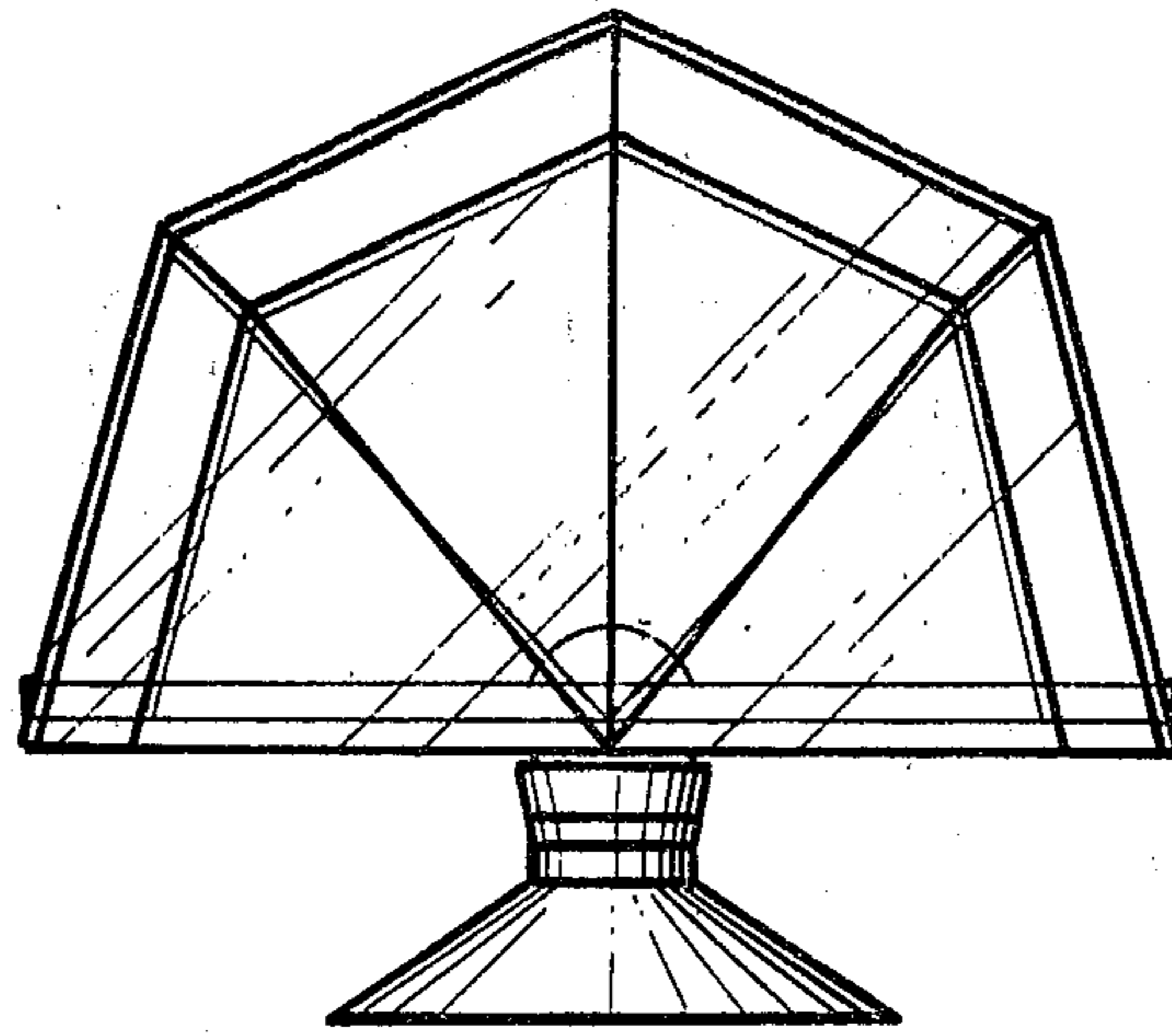


FIG. 5

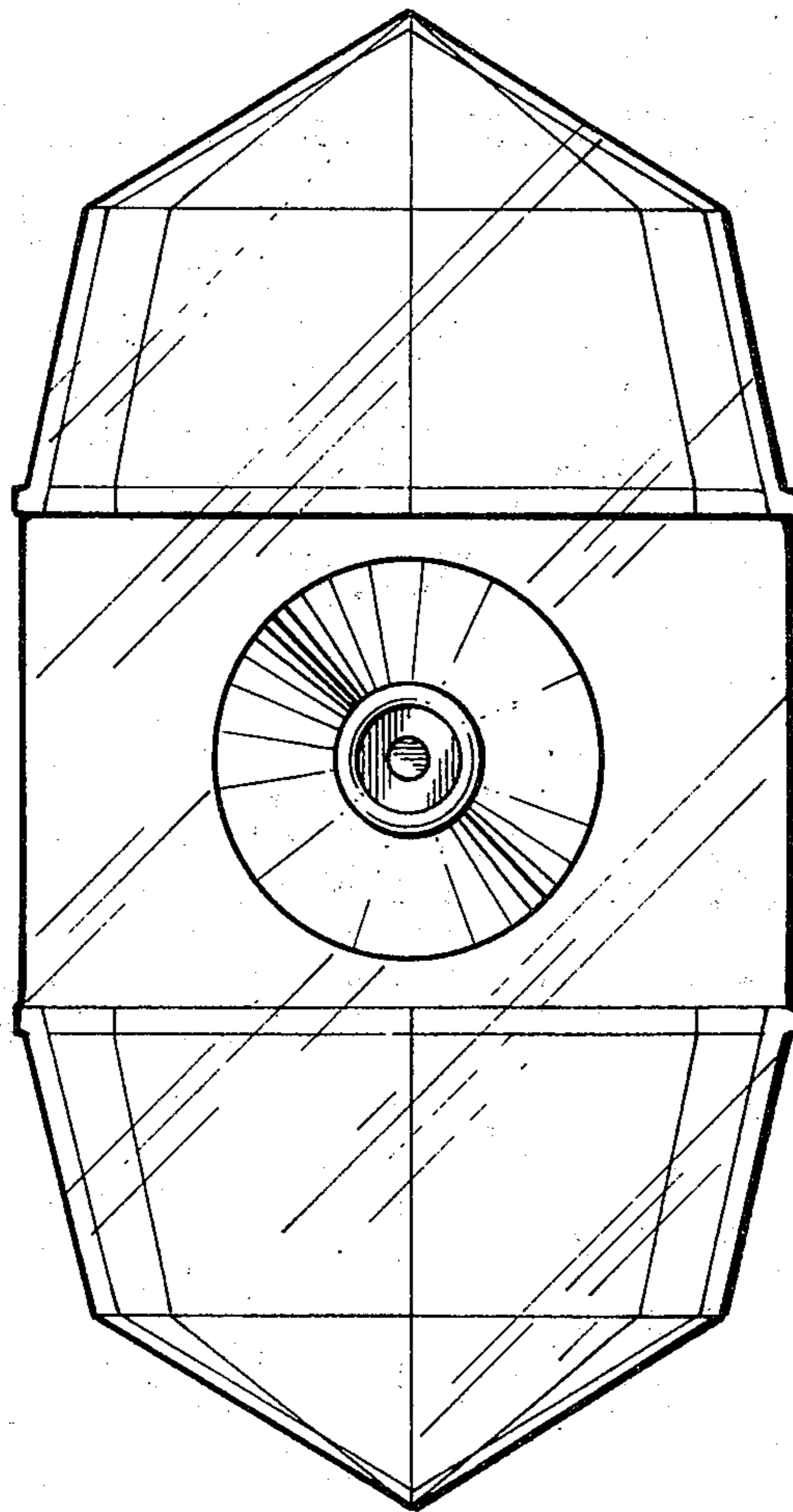


FIG. 3

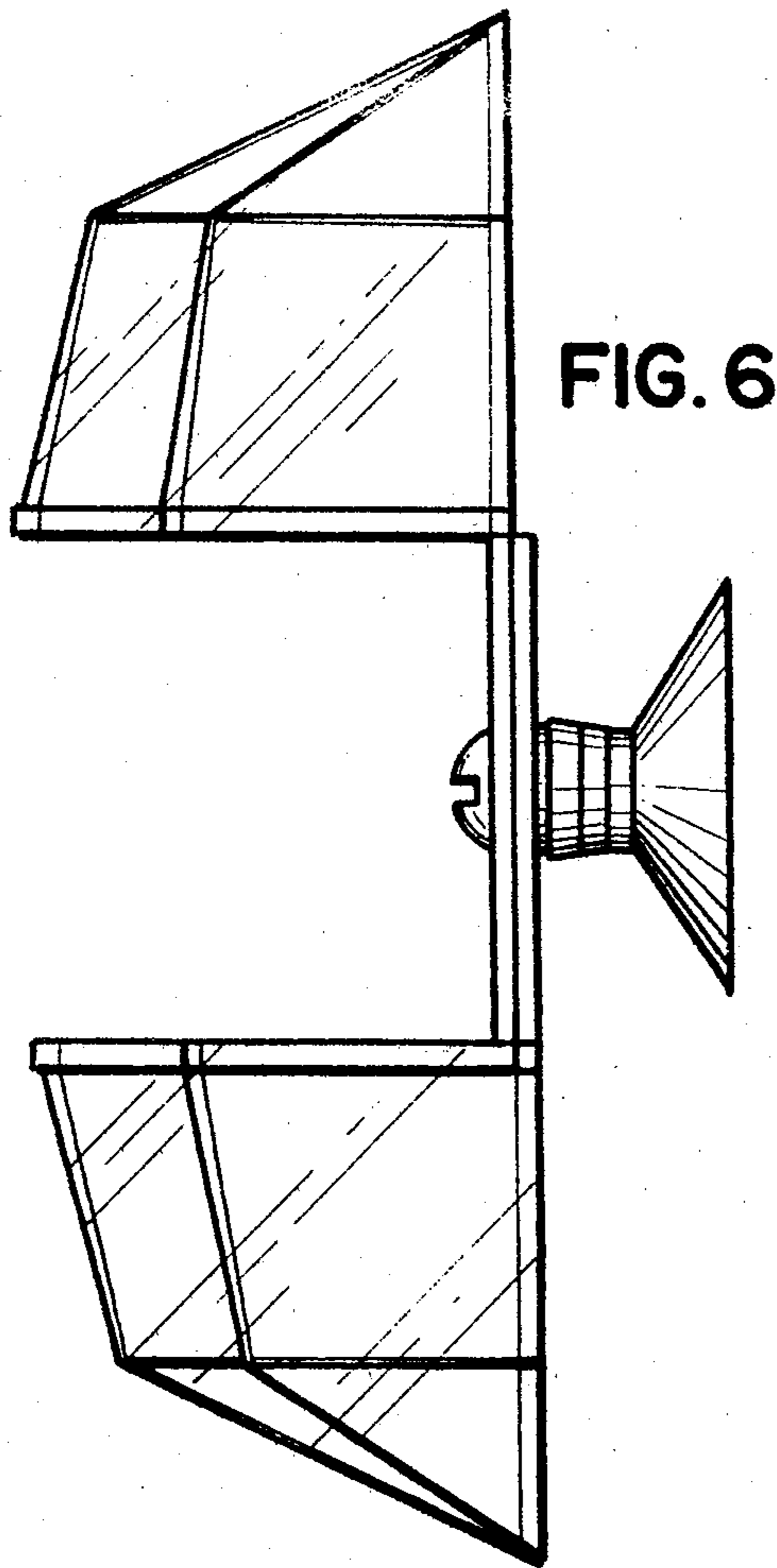


FIG. 6

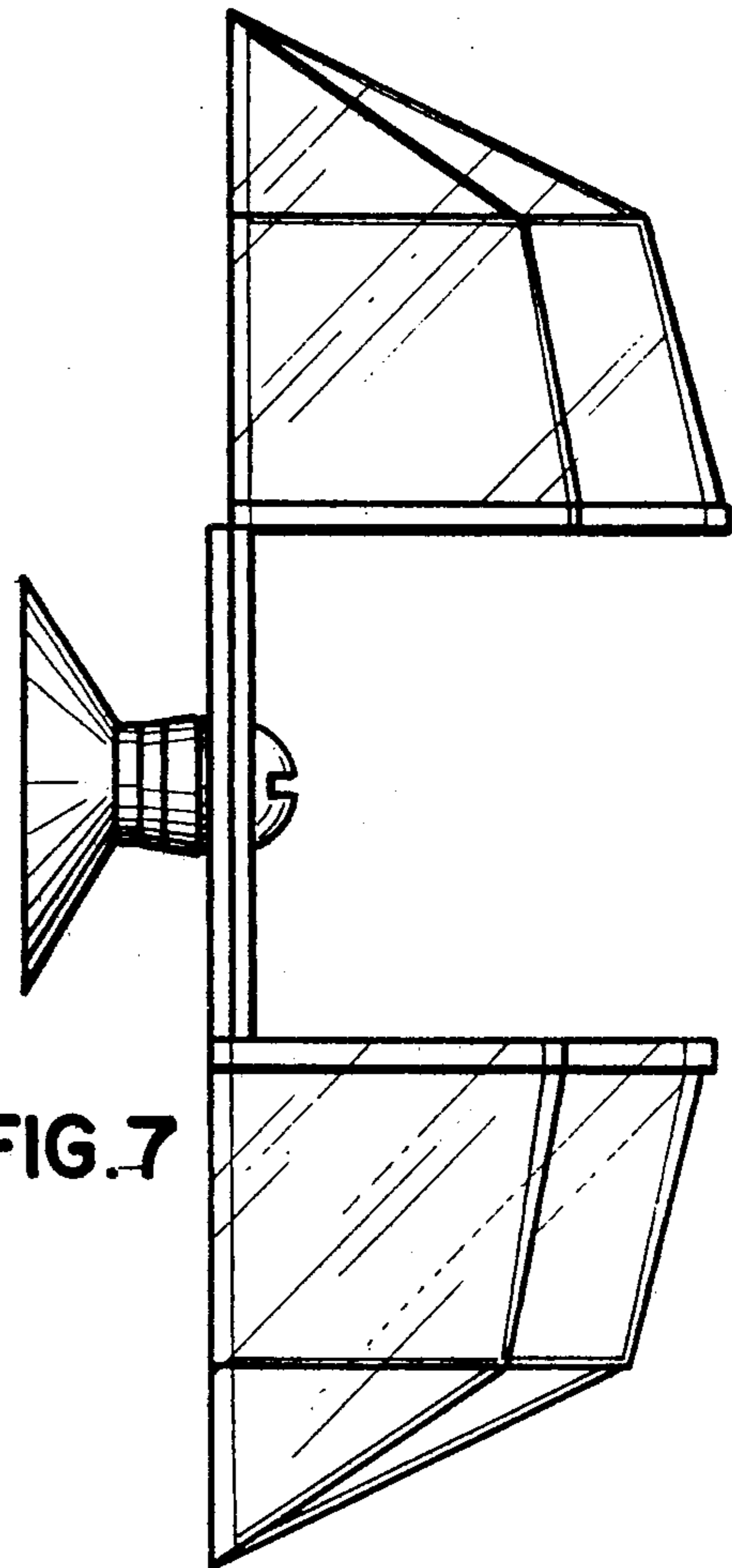


FIG. 7