

[54] **BIN FOR MERCHANDISE**

[76] **Inventor:** Robert F. Williams, 9505 E. Atherton Rd., Davison, Mich. 48423

[\*\*] **Term:** 14 Years

[21] **Appl. No.:** 327,403

[22] **Filed:** Dec. 4, 1981

[52] **U.S. Cl.** ..... D34/40

[58] **Field of Search** ..... D9/424; D34/40;  
206/509, 503, 504, 507, 505, 557; D7/76;  
D6/114, 122

[56] **References Cited**

**U.S. PATENT DOCUMENTS**

- D. 224,369 7/1972 Mears ..... D34/40  
D. 242,659 12/1976 Clipson et al. .... D34/40  
D. 259,995 7/1981 Zaro ..... D6/114

D. 267,608 1/1983 Brescia ..... D6/114 X

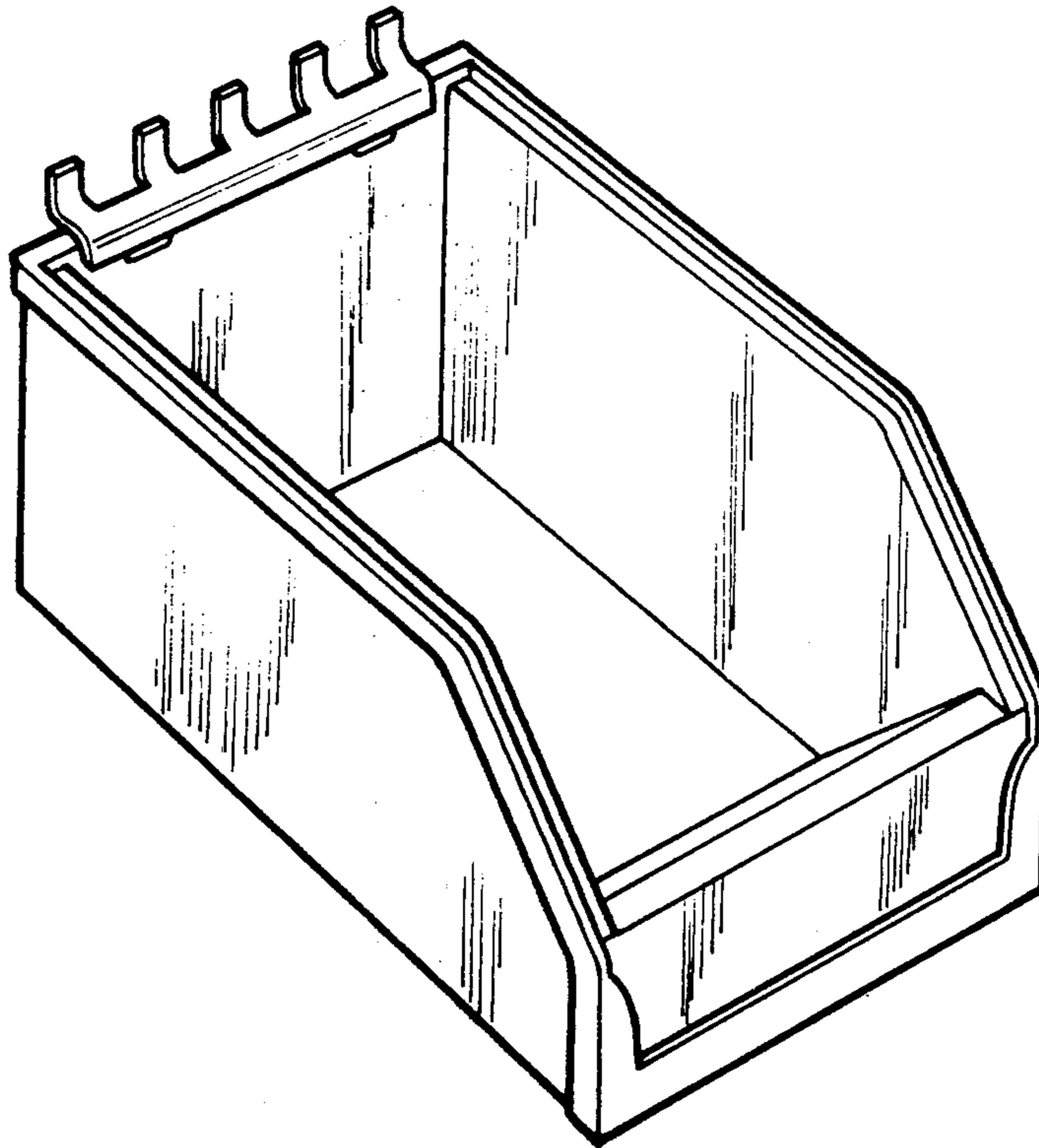
*Primary Examiner*—Robert C. Spangler  
*Attorney, Agent, or Firm*—Gifford, VanOphem,  
Sheridan, Sprinkle & Nabozny

[57] **CLAIM**

The ornamental design for a bin for merchandise, as shown.

**DESCRIPTION**

FIG. 1 is a front perspective view of a bin for merchandise showing my new design;  
FIG. 2 is a front elevational view;  
FIG. 3 is a side elevational view;  
FIG. 4 is a rear elevational view;  
FIG. 5 is an elevational view showing the side opposite that seen in FIG. 3;  
FIG. 6 is a top plan view; and  
FIG. 7 is a bottom plan view thereof.



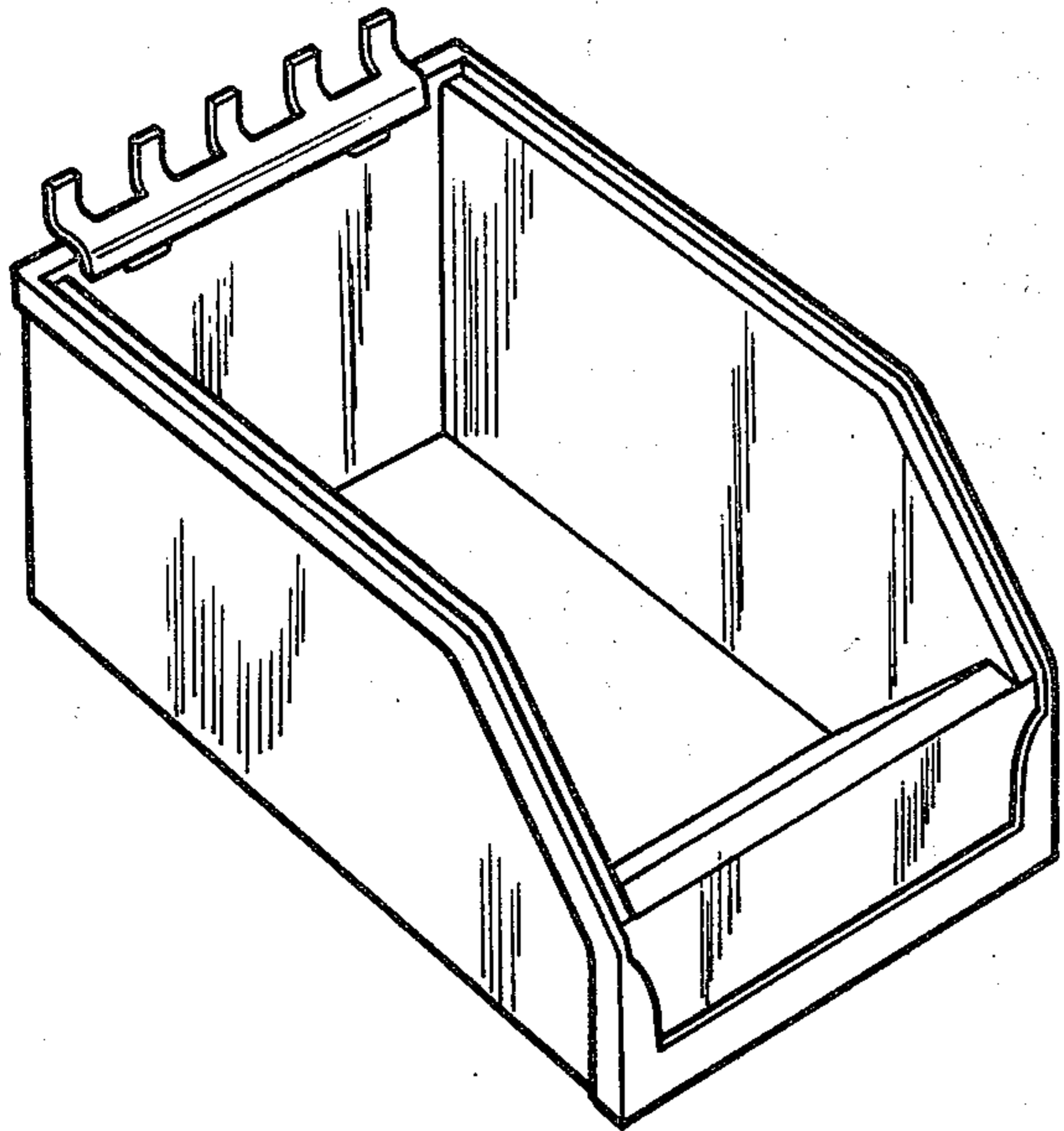


Fig-1

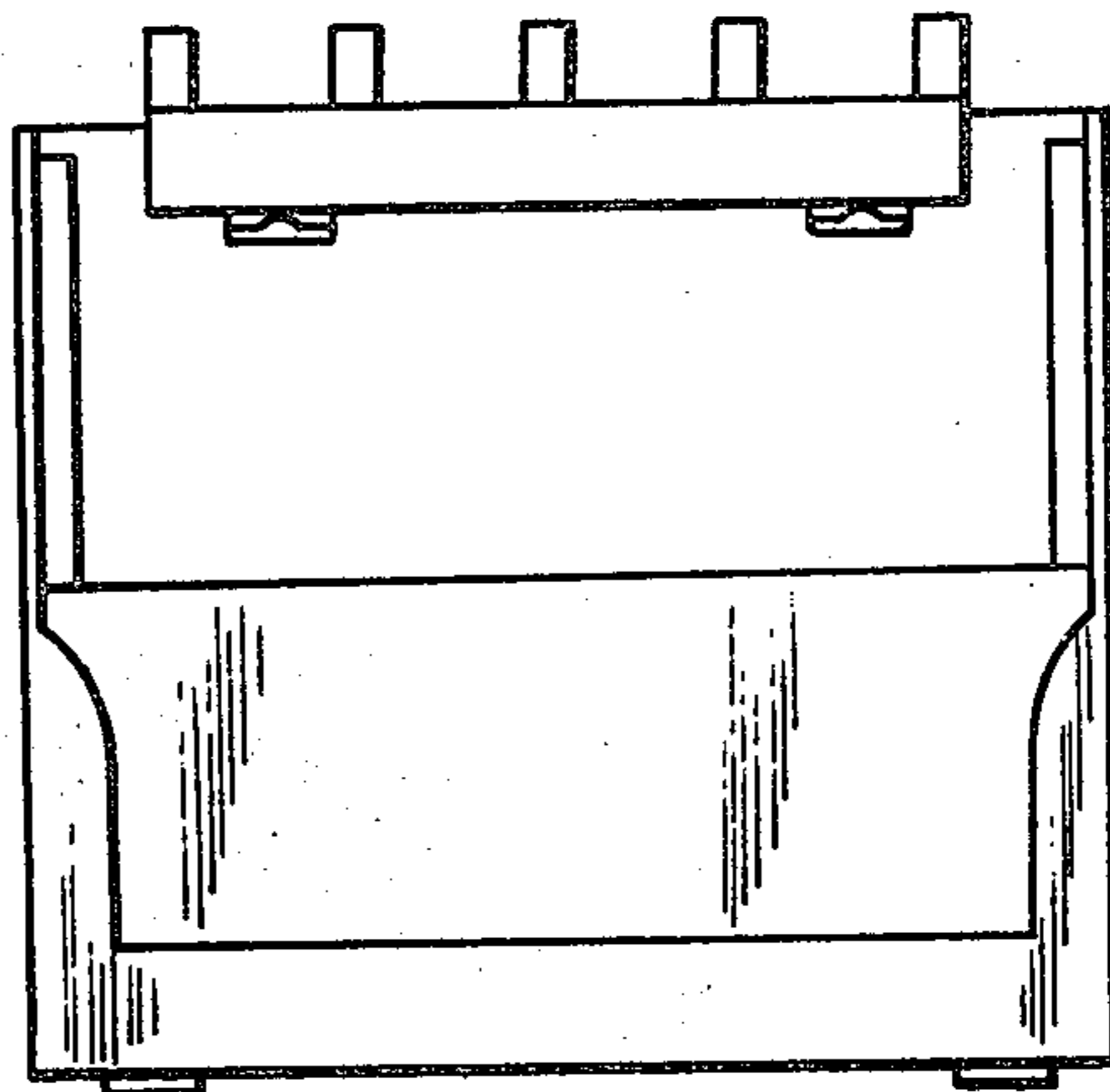


Fig-2

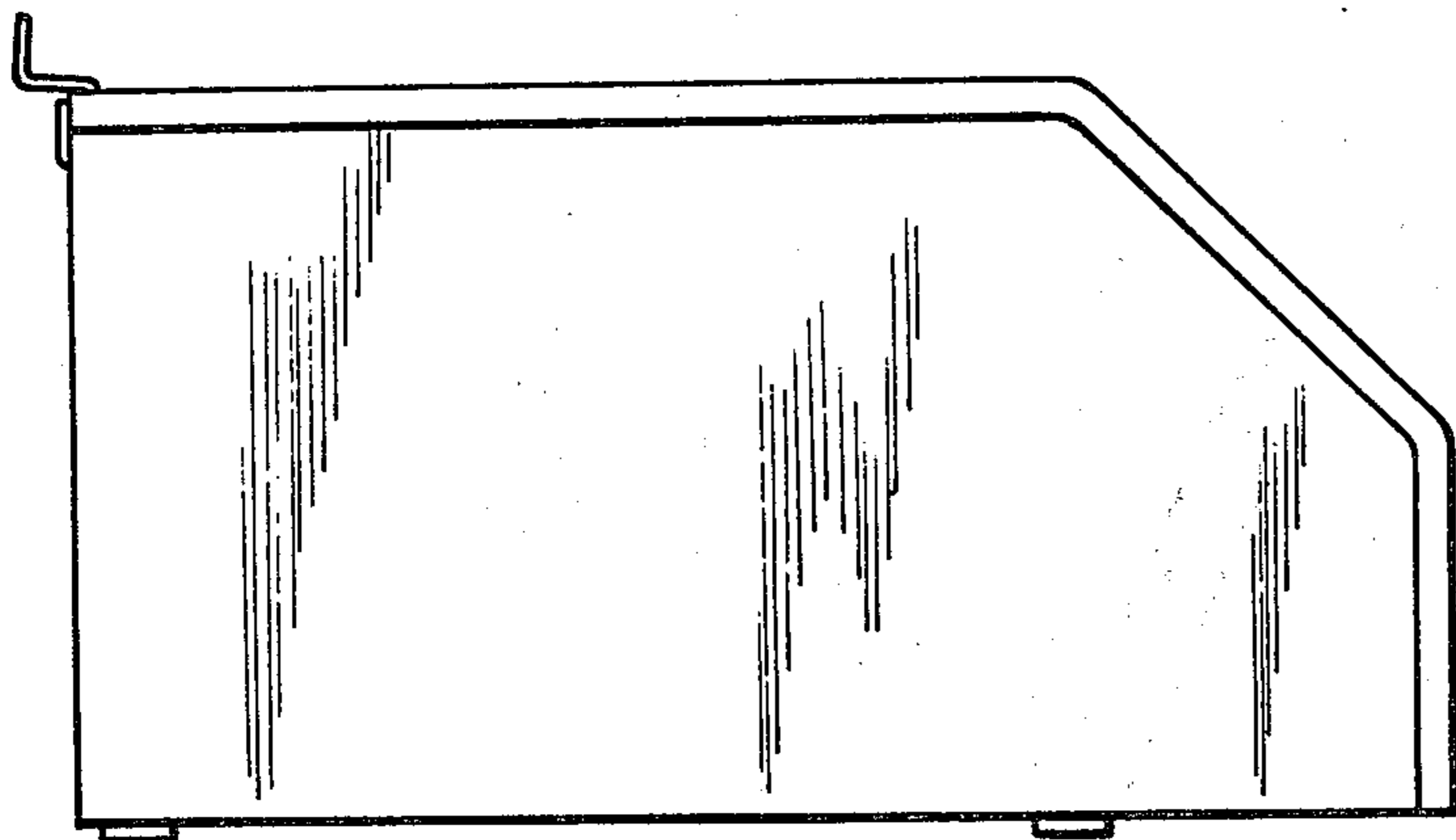


Fig-3

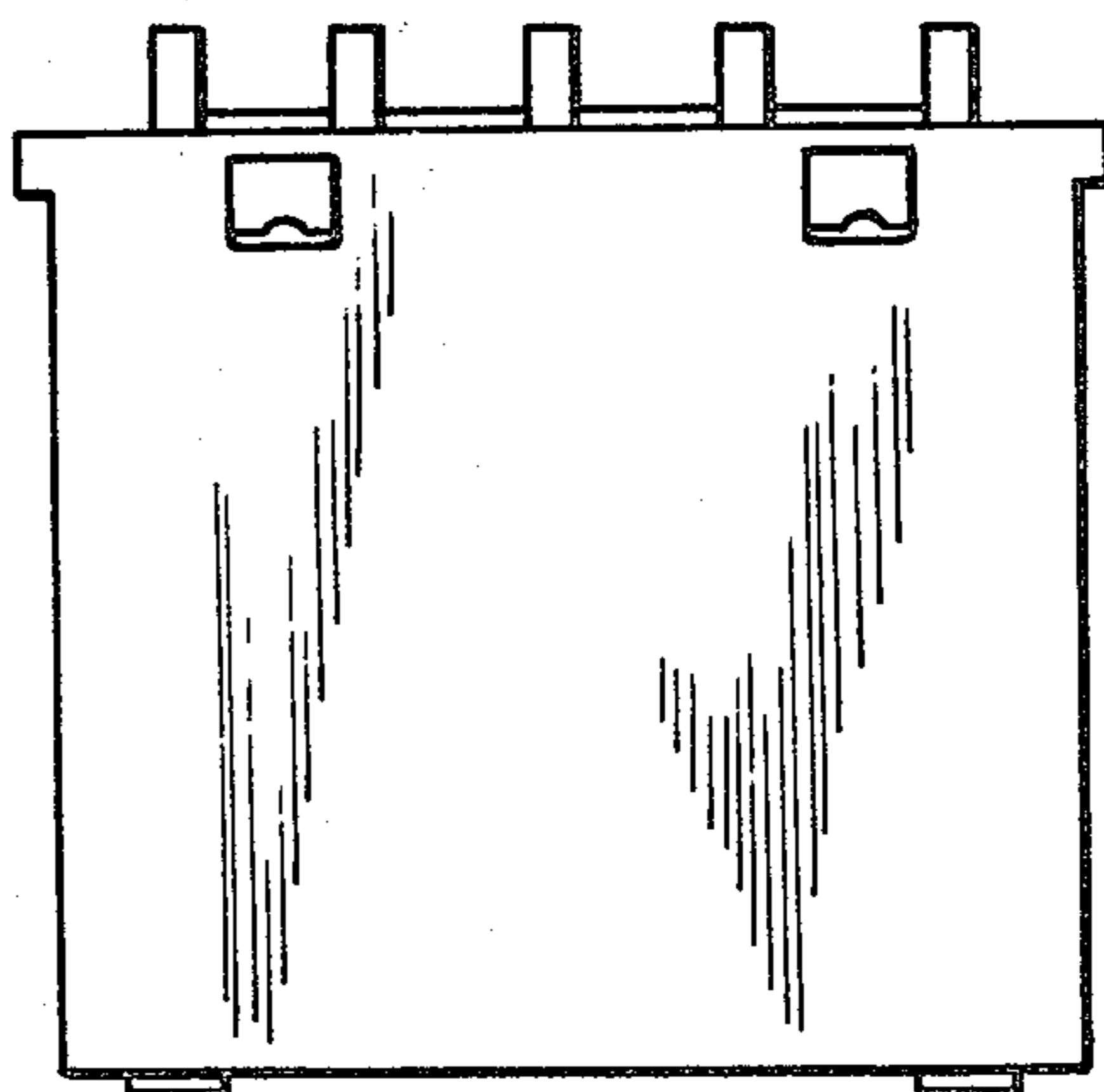


Fig-4

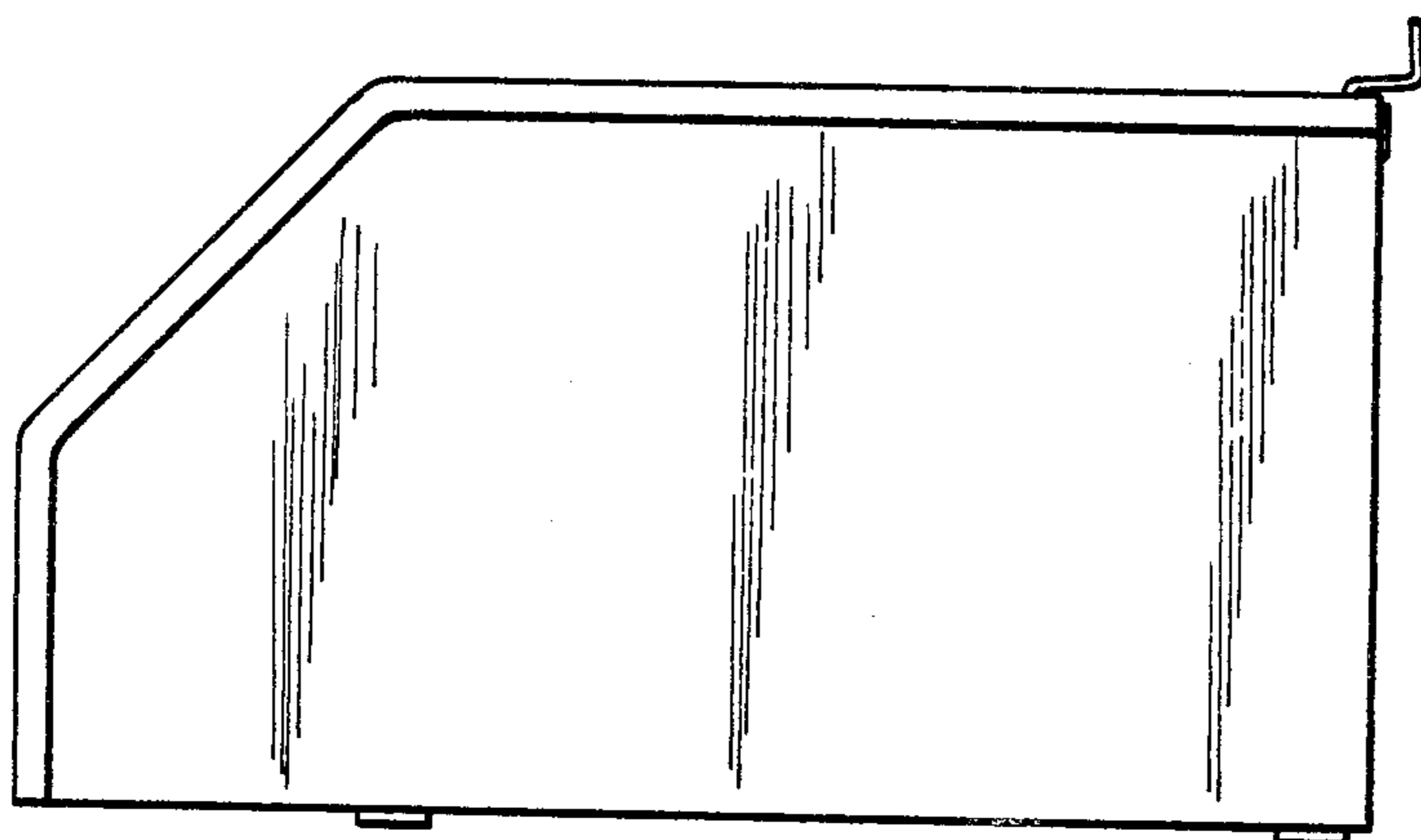


Fig-5

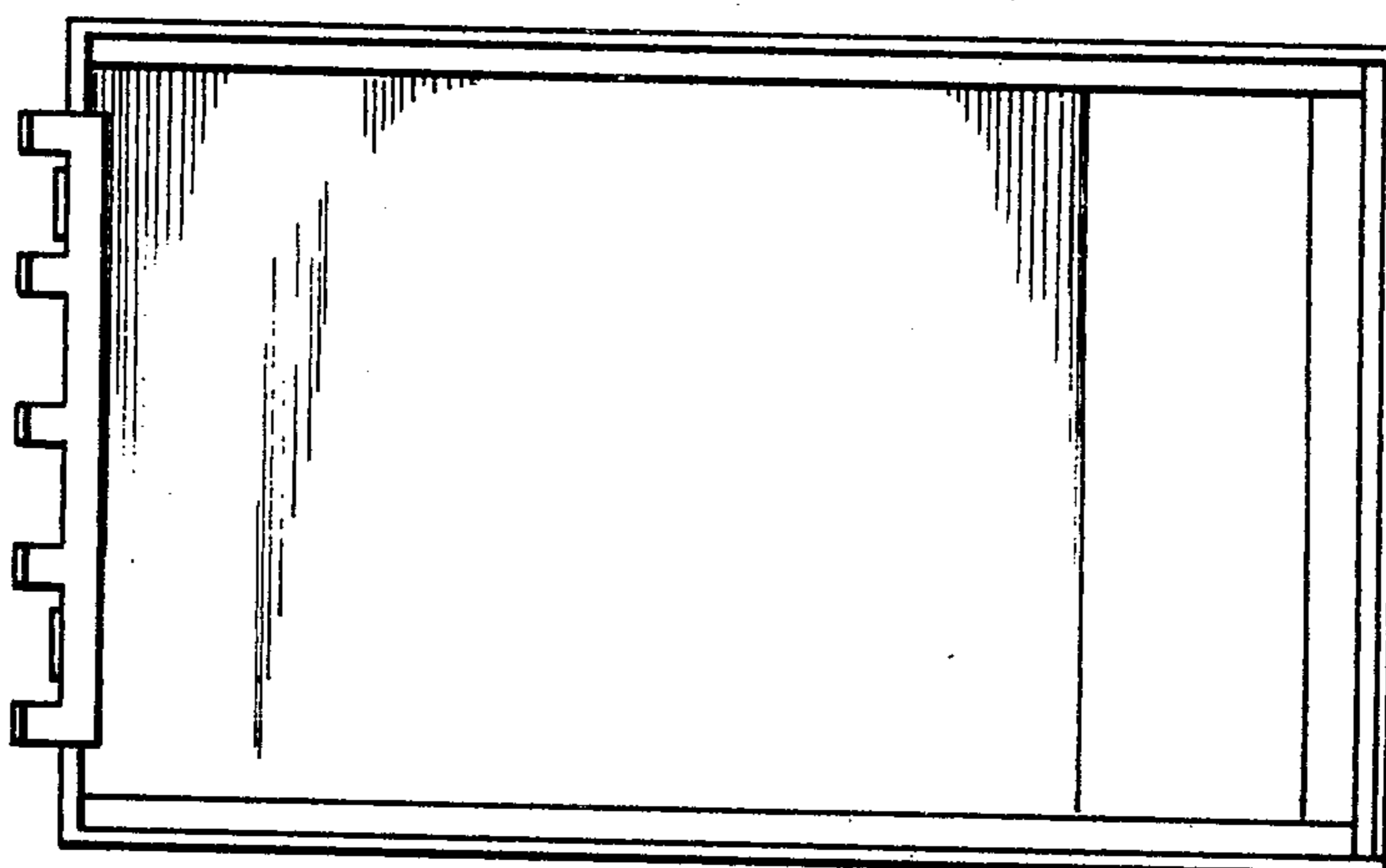


Fig-6

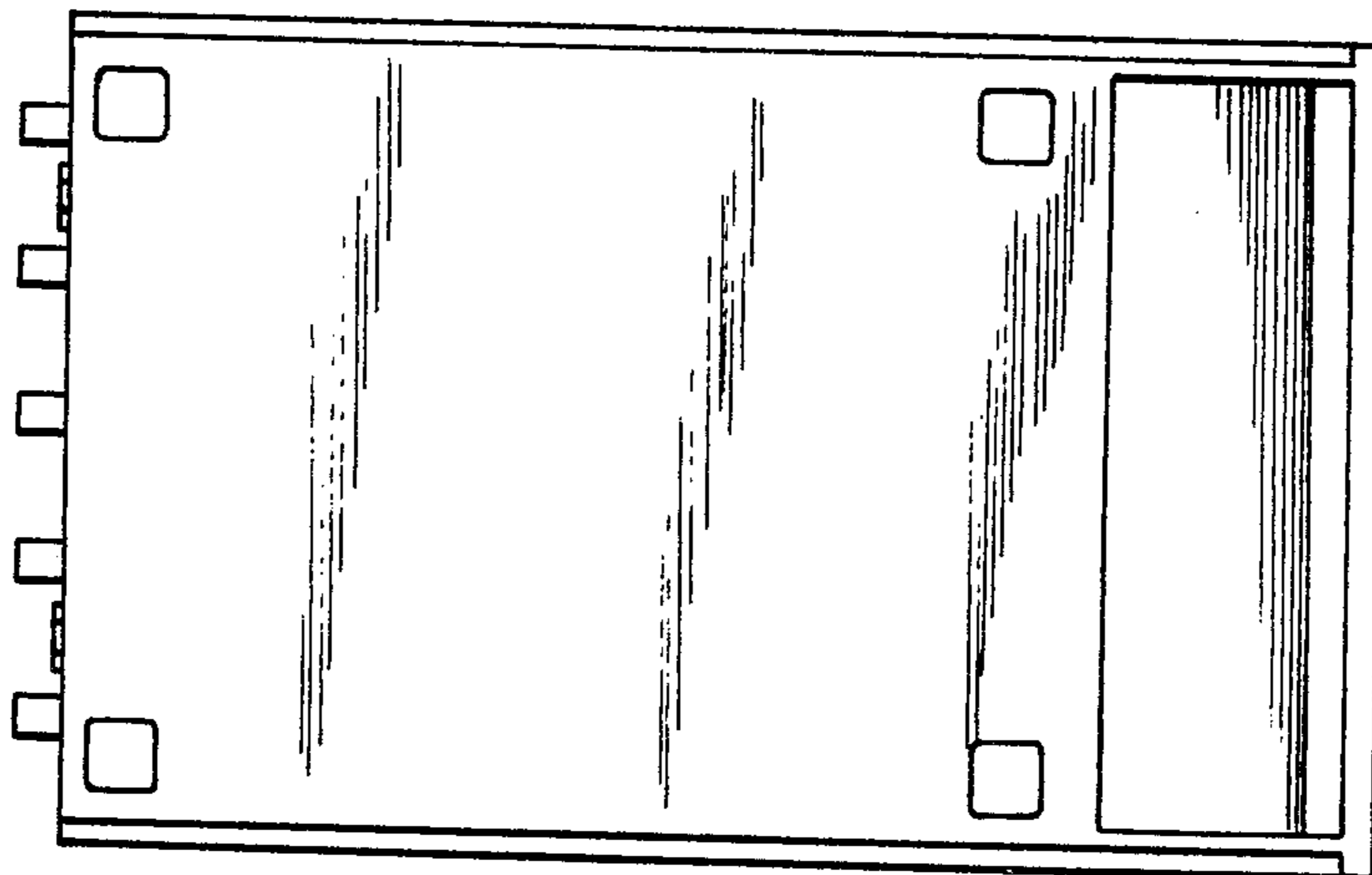


Fig-7