

[54] FOAM GENERATOR FOR A CLEANING MACHINE

[76] Inventor: Thomas G. Lafferty, 916 Oak Grove Rd., North Little Rock, Ark. 72118

[\*\*] Term: 14 Years

[21] Appl. No.: 215,124

[22] Filed: Dec. 10, 1980

[52] U.S. Cl. .... D32/01

[58] Field of Search ..... D32/32, 1, 15, 16, 21-24, D32/31; 15/320, 321, 419; D23/1, 19, 20, 34, 40; 366/101, 604; 134/102

[56] References Cited

U.S. PATENT DOCUMENTS

- D. 242,211 11/1976 Parise ..... D32/32
- D. 257,254 10/1980 Lafferty ..... D32/1

Primary Examiner—Catherine E. Kemper  
Attorney, Agent, or Firm—Jacobi, Siegel, Presta, Marzullo & Aronson

[57] CLAIM

The ornamental design for a foam generator for a cleaning machine, as shown and described.

DESCRIPTION

FIG. 1 is a top plan view of a foam generator for a cleaning machine showing my new design;  
 FIG. 2 is a bottom plan view thereof;  
 FIG. 3 is an elevational view taken from one side thereof;  
 FIG. 4 is an elevational view taken from the side opposite that shown in FIG. 3;  
 FIG. 5 is an elevational view taken from one end thereof; and  
 FIG. 6 is an elevational view taken from the end opposite that shown in FIG. 5.

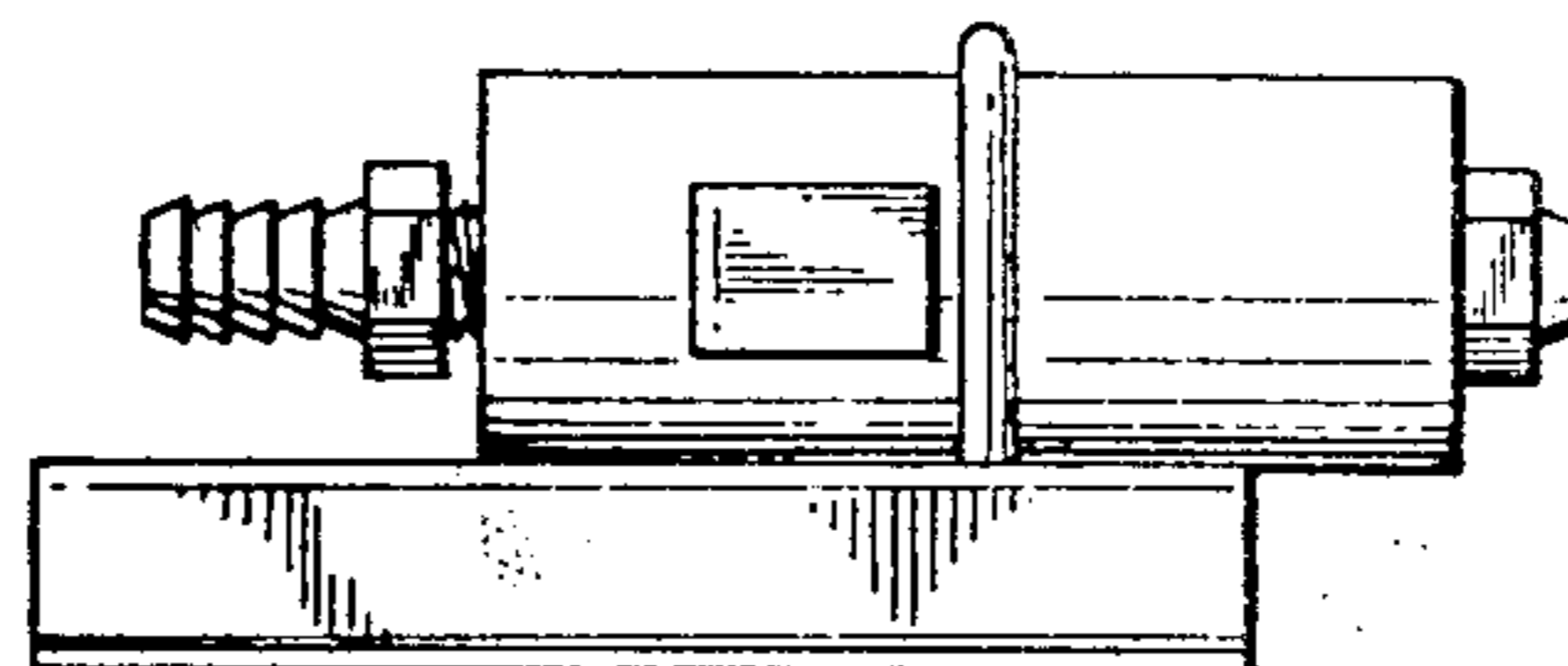
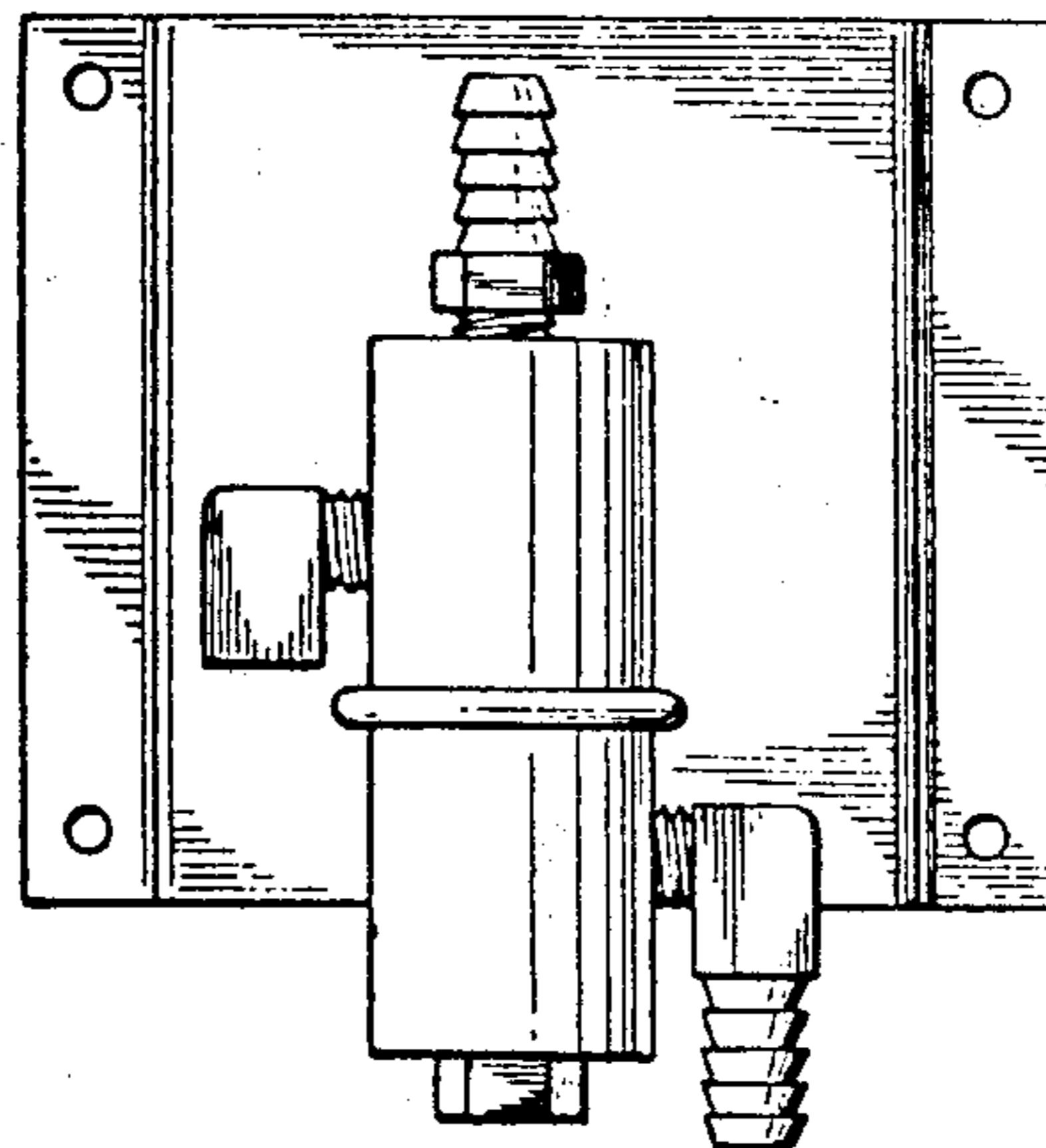


FIG. 1

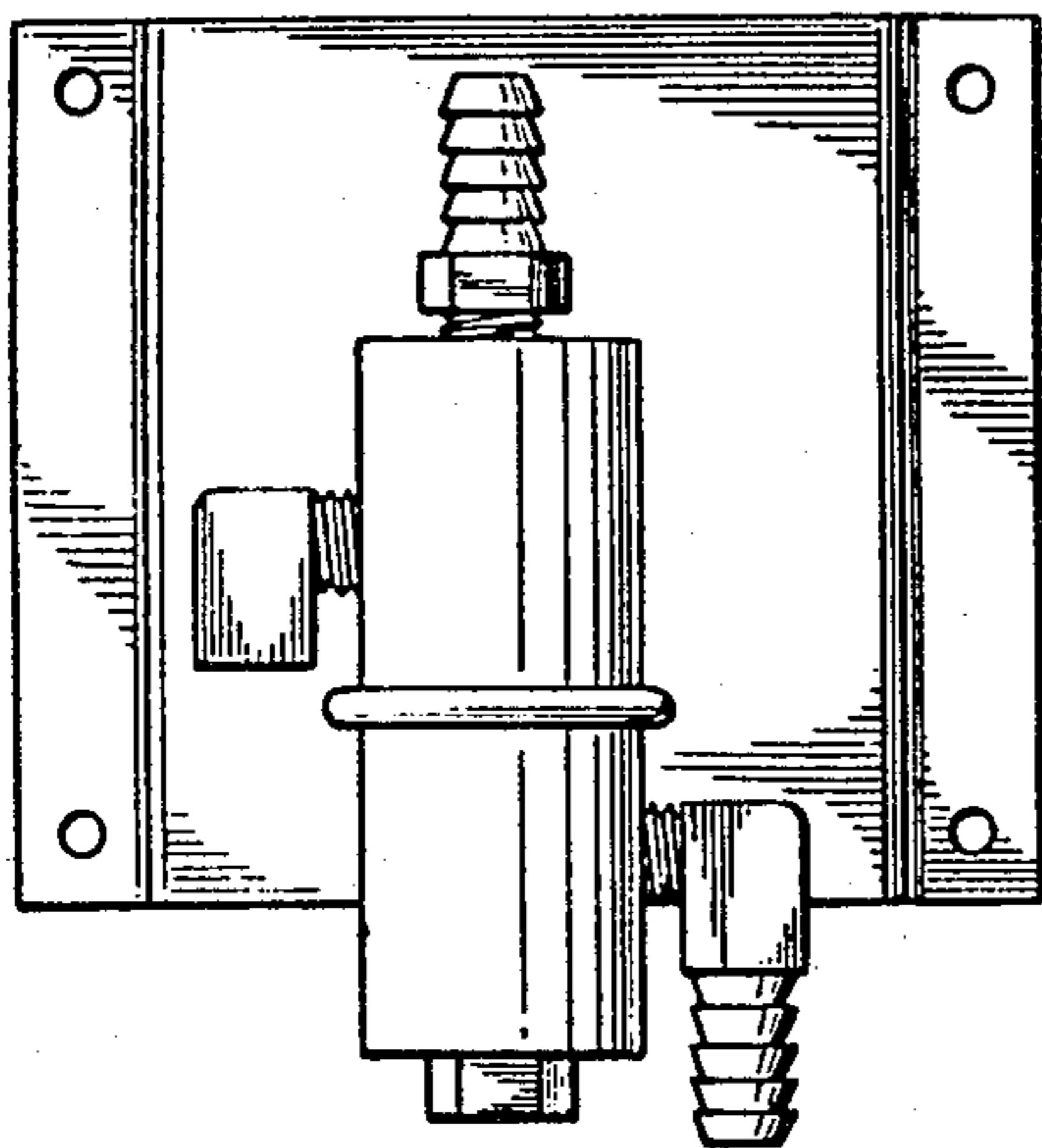


FIG. 2

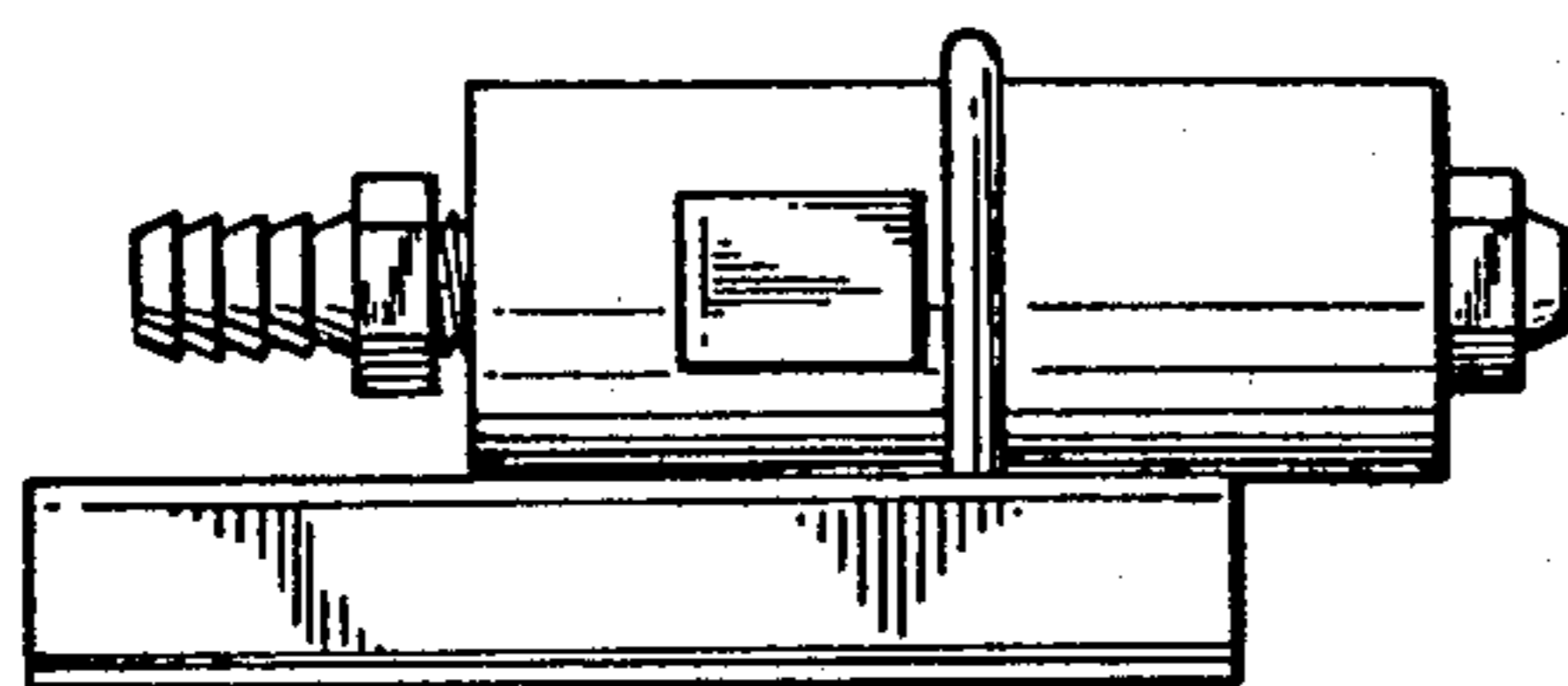
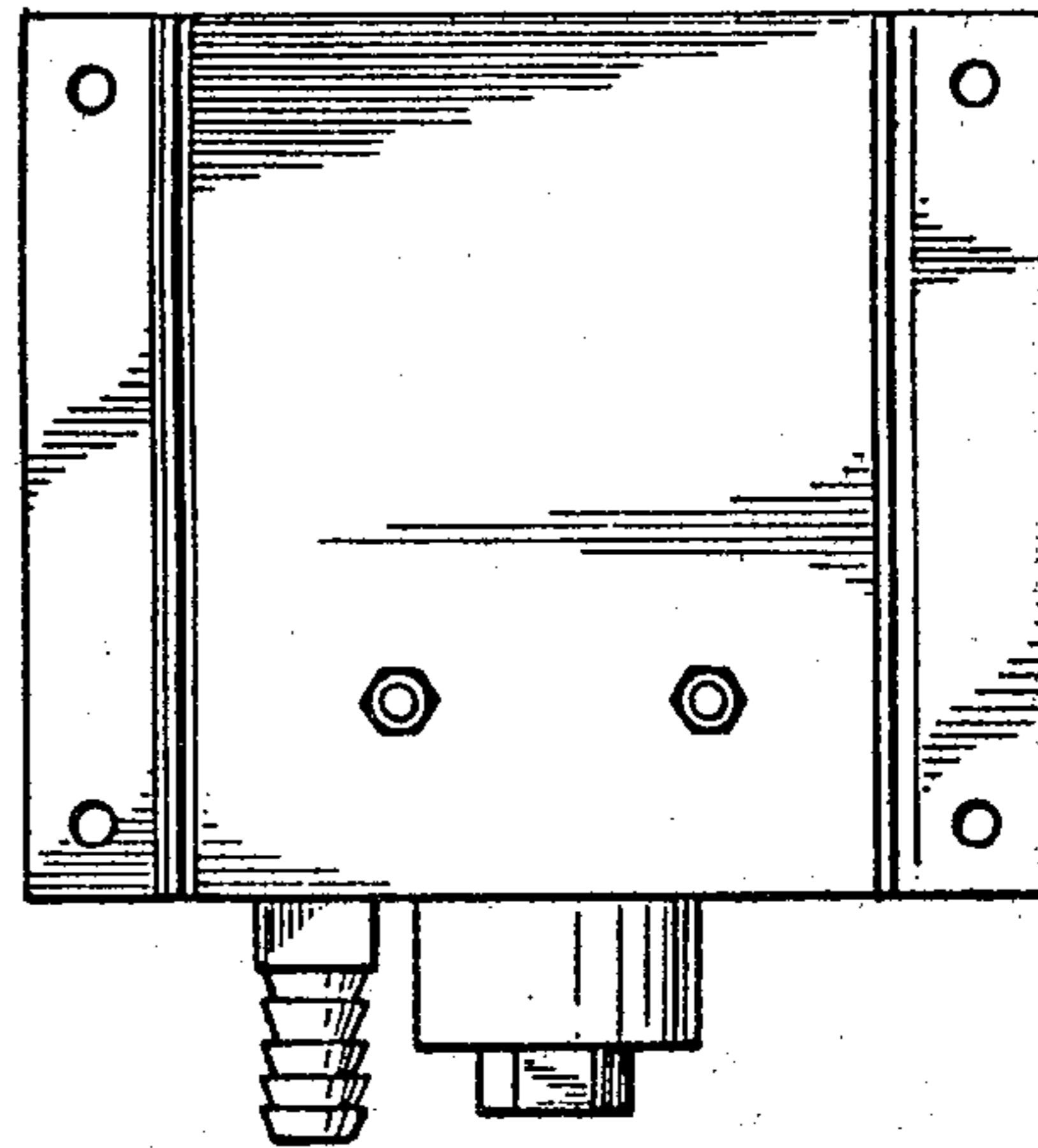


FIG. 3

FIG. 4

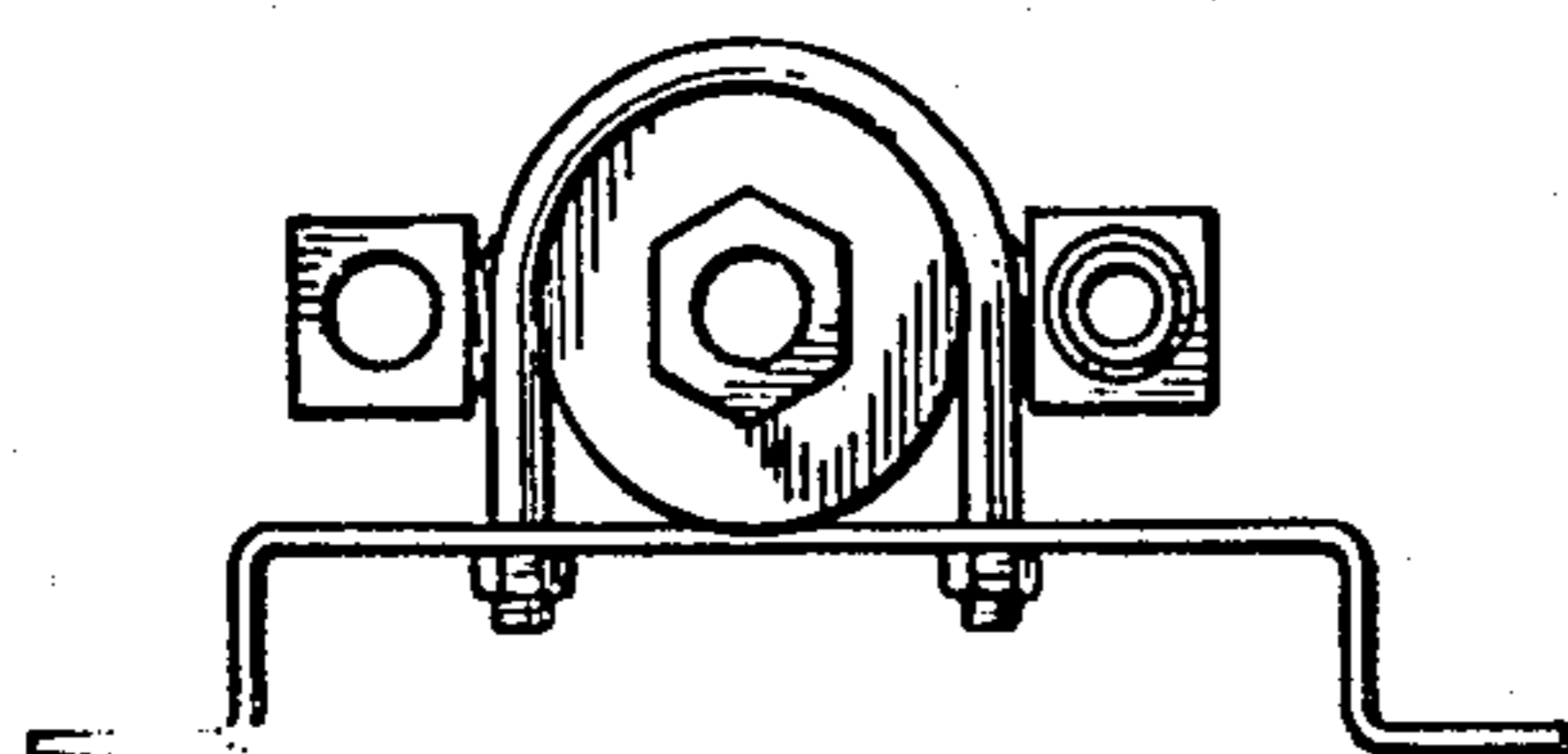
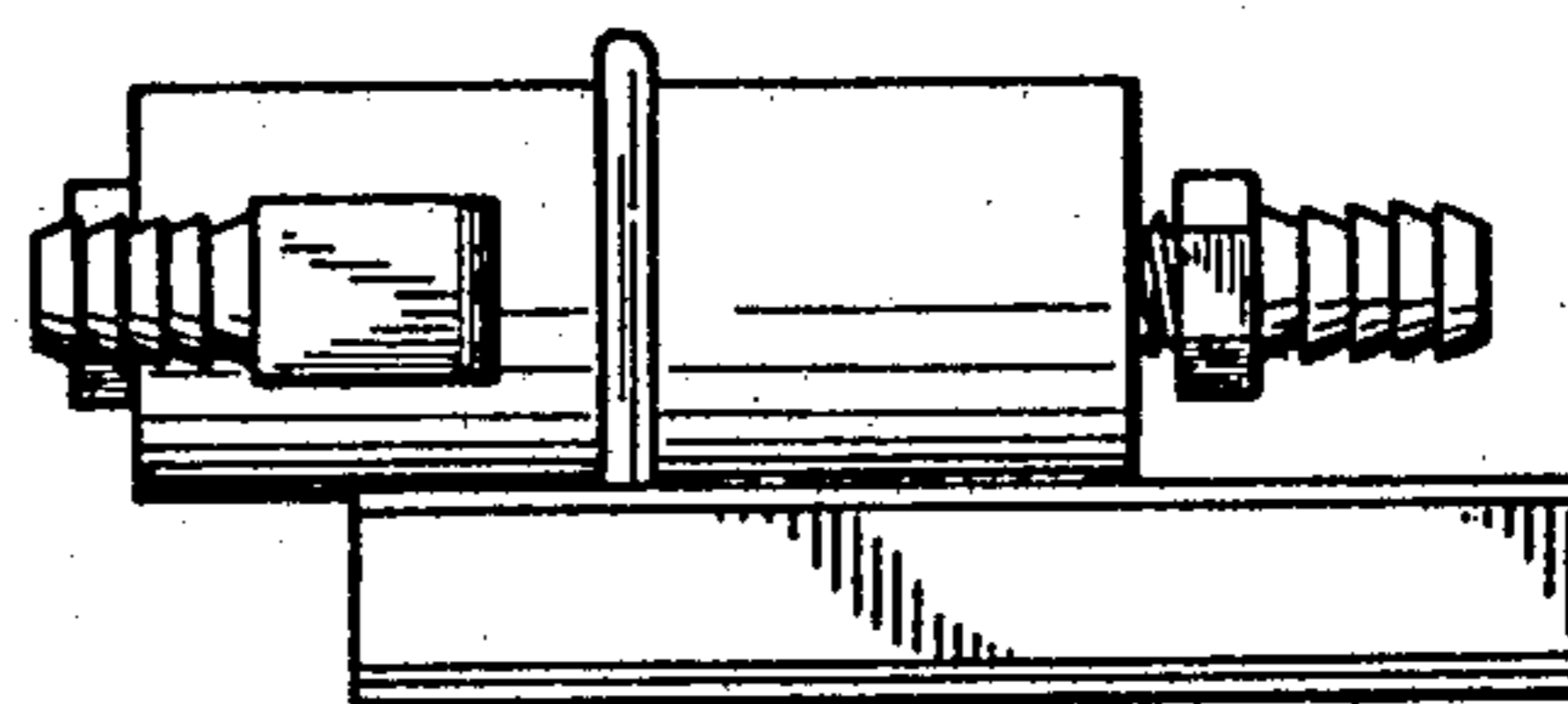


FIG. 5

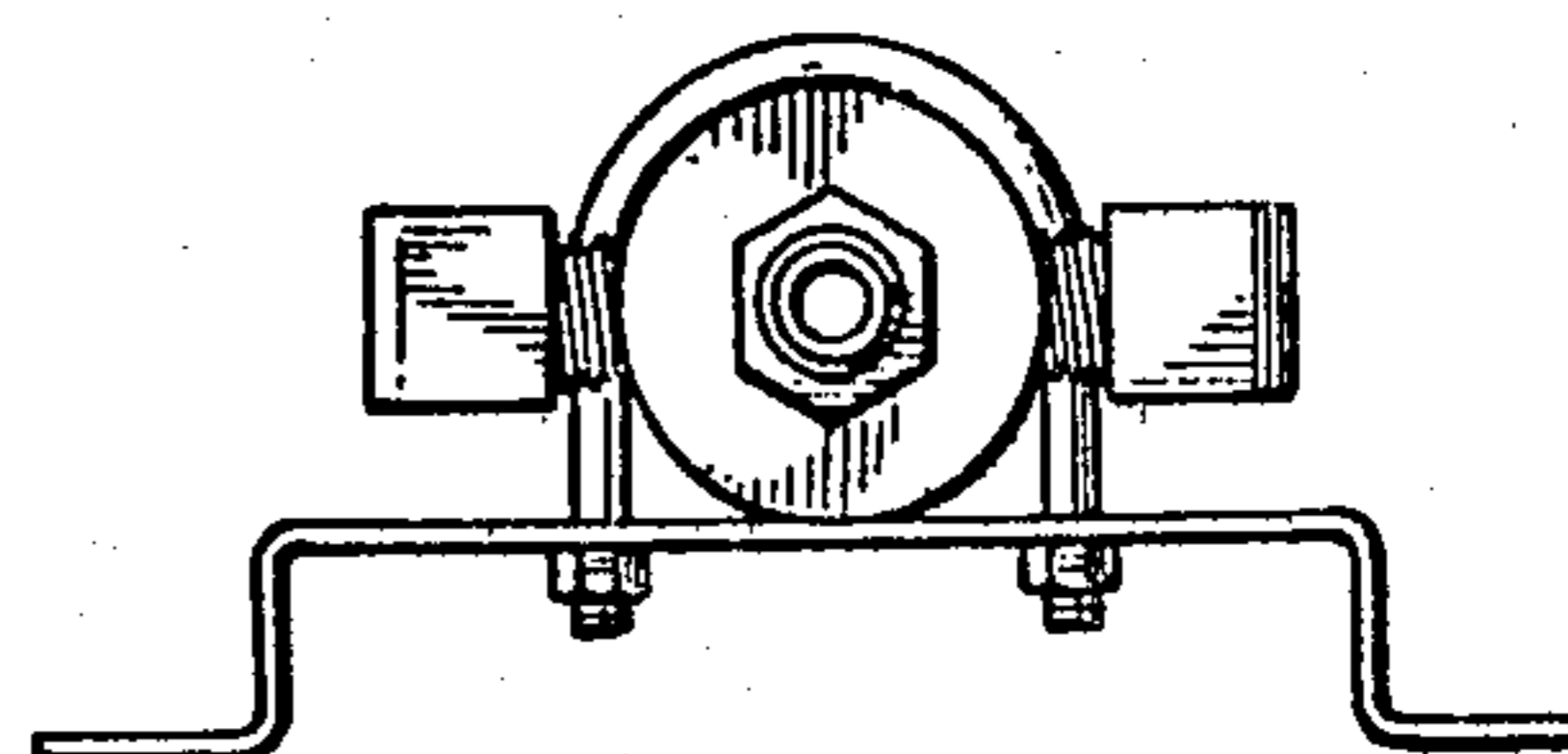


FIG. 6