

[54] **INDIRECT LIGHTING FIXTURE**

3,875,561 4/1975 Scarpino 362/297 X

[75] Inventor: **Dennis E. Johnson**, Grafton, Wis.

Primary Examiner—Susan J. Lucas
Attorney, Agent, or Firm—Charles W. MacKinnon;
Ronald J. LaPorte; Jon C. Gealow

[73] Assignee: **McGraw-Edison**, Rolling Meadows, Ill.

[**] Term: **14 Years**

[57] **CLAIM**

[21] Appl. No.: **339,834**

The ornamental design for an indirect lighting fixture, substantially as shown and described.

[22] Filed: **Jan. 15, 1982**

DESCRIPTION

[52] U.S. Cl. **D26/85; D26/24**

FIG. 1 is a perspective view of an indirect lighting fixture of my design showing the bottom and side thereof;

[58] Field of Search 362/297, 300, 301, 307, 362/308, 310, 311, 362, 363, 404, 406, 408; 340/84, 87; D10/114; D26/24, 72, 85, 88, 89

FIG. 2 is a perspective view of the indirect lighting fixture of FIG. 1, showing the top and side thereof;

[56] **References Cited**

U.S. PATENT DOCUMENTS

- D. 219,061 10/1970 Madsen D10/114
- D. 244,713 6/1977 Egan-Andrew D26/24
- 2,344,221 3/1944 Trautner 362/297
- 3,587,185 6/1971 Deal 362/311 X

FIG. 3 is a side, elevational view of the indirect lighting fixture of FIGS. 1 and 2;

FIG. 4 is a top, plan view of the indirect lighting fixture of FIG. 3; and

FIG. 5 is a bottom, plan view of the indirect lighting fixture of FIG. 3.

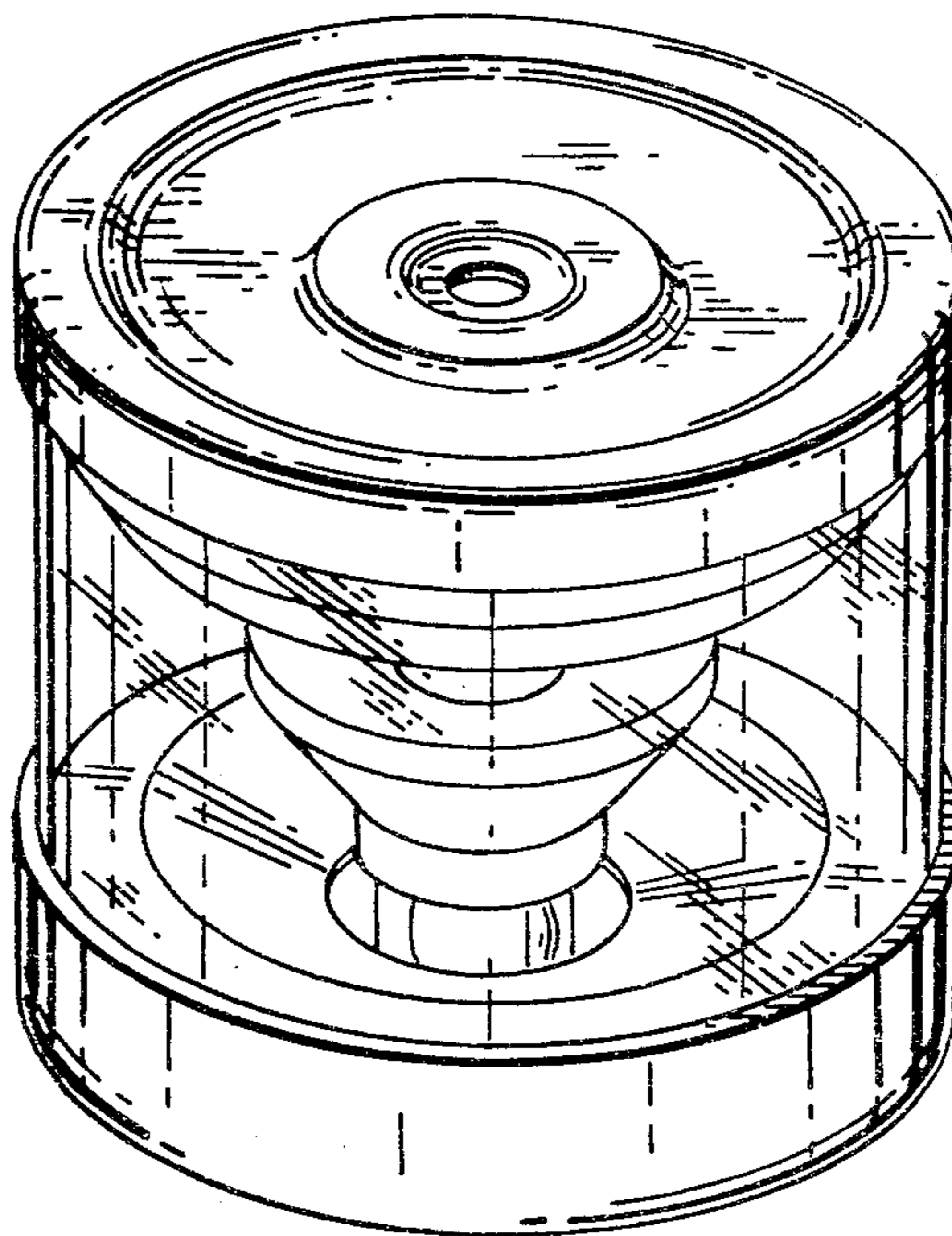


FIG. 1

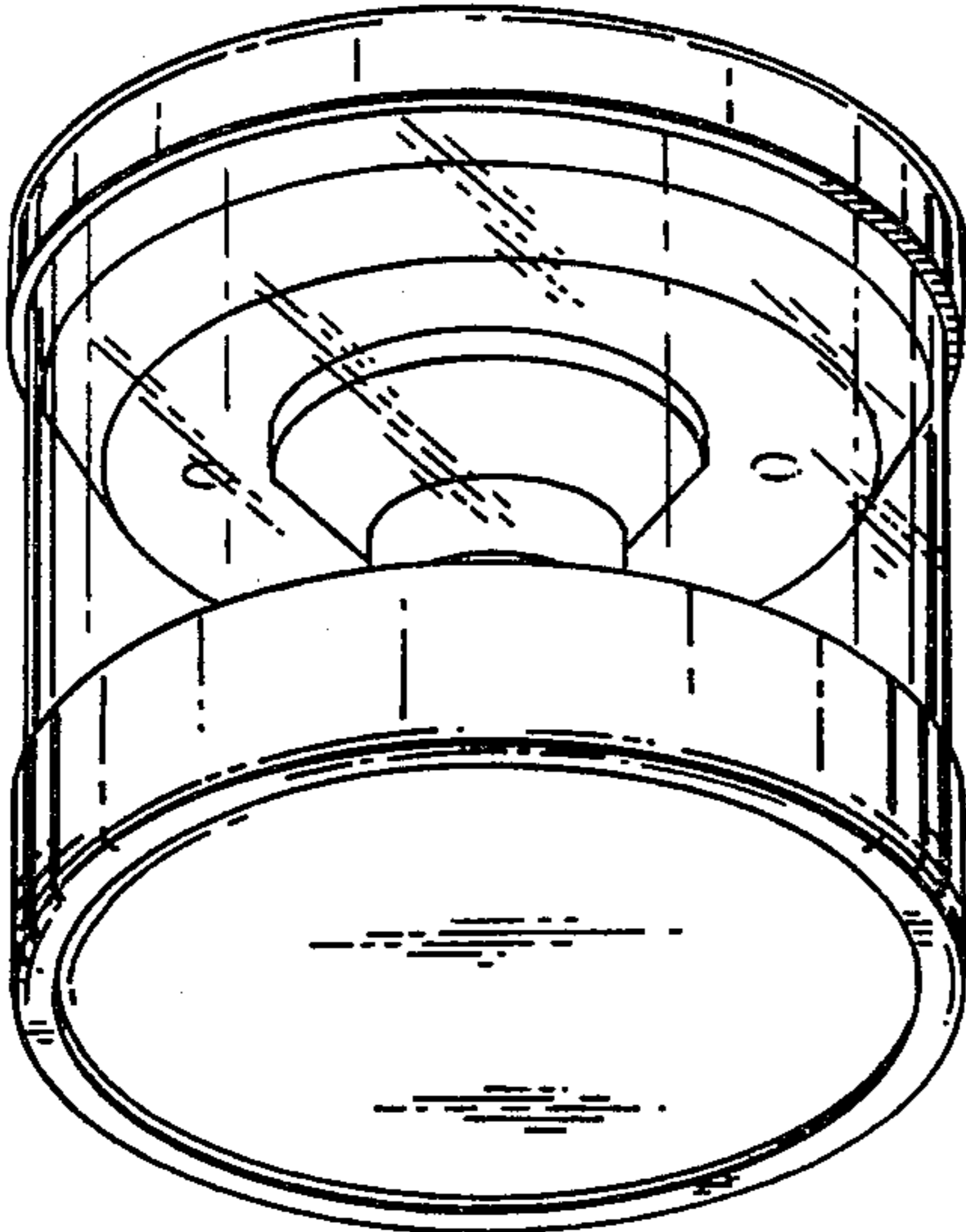


FIG. 2

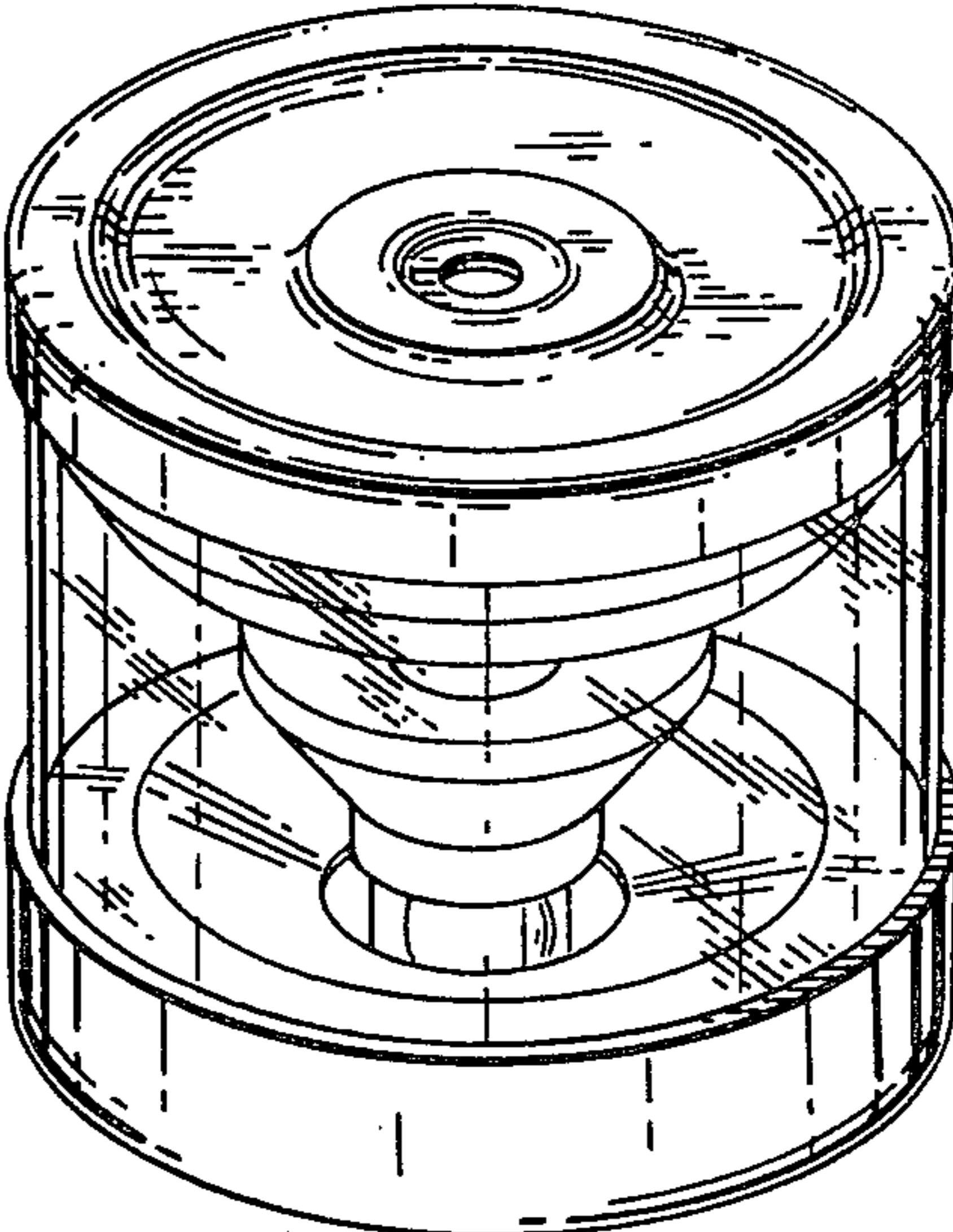


FIG. 3

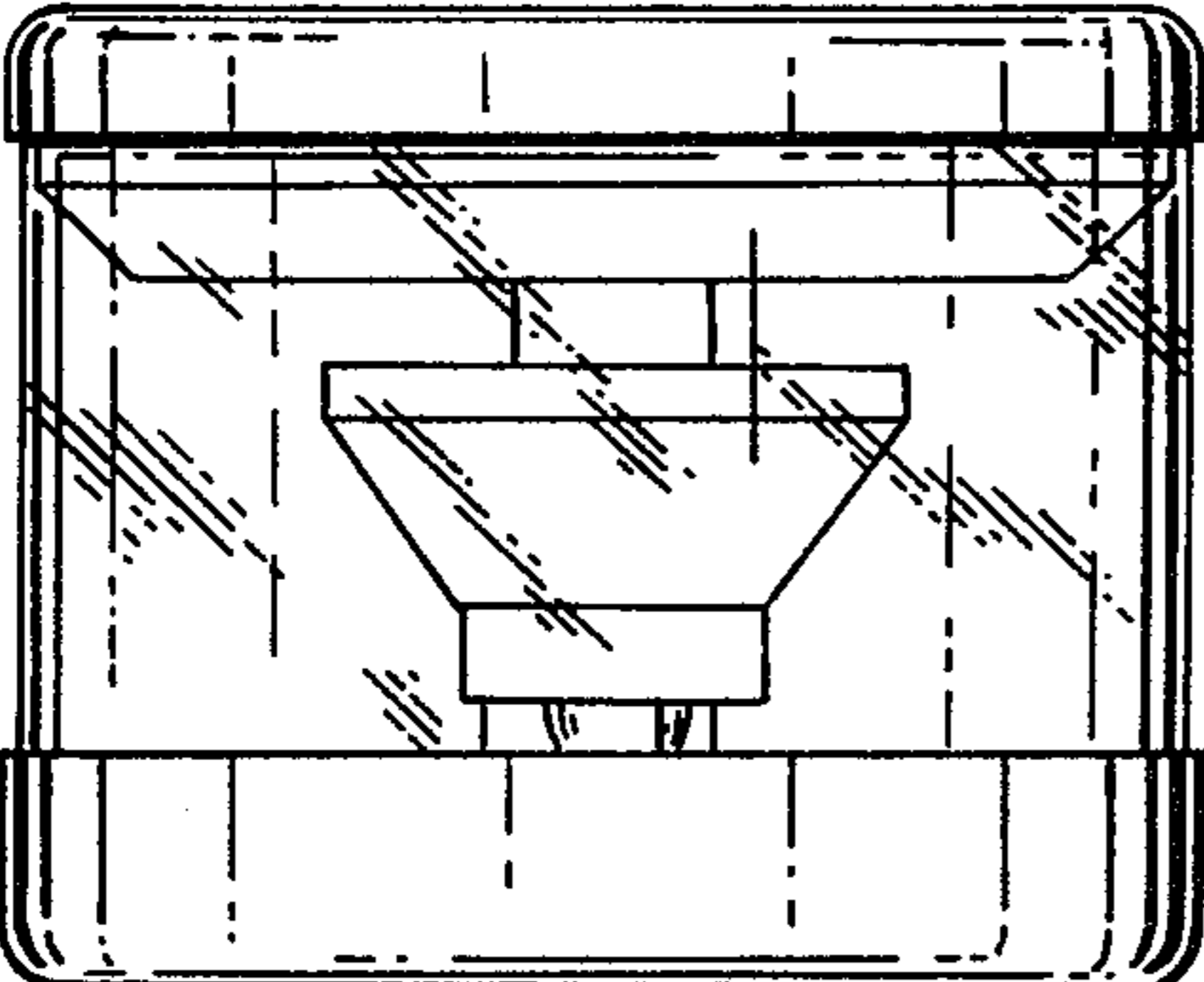


FIG. 4

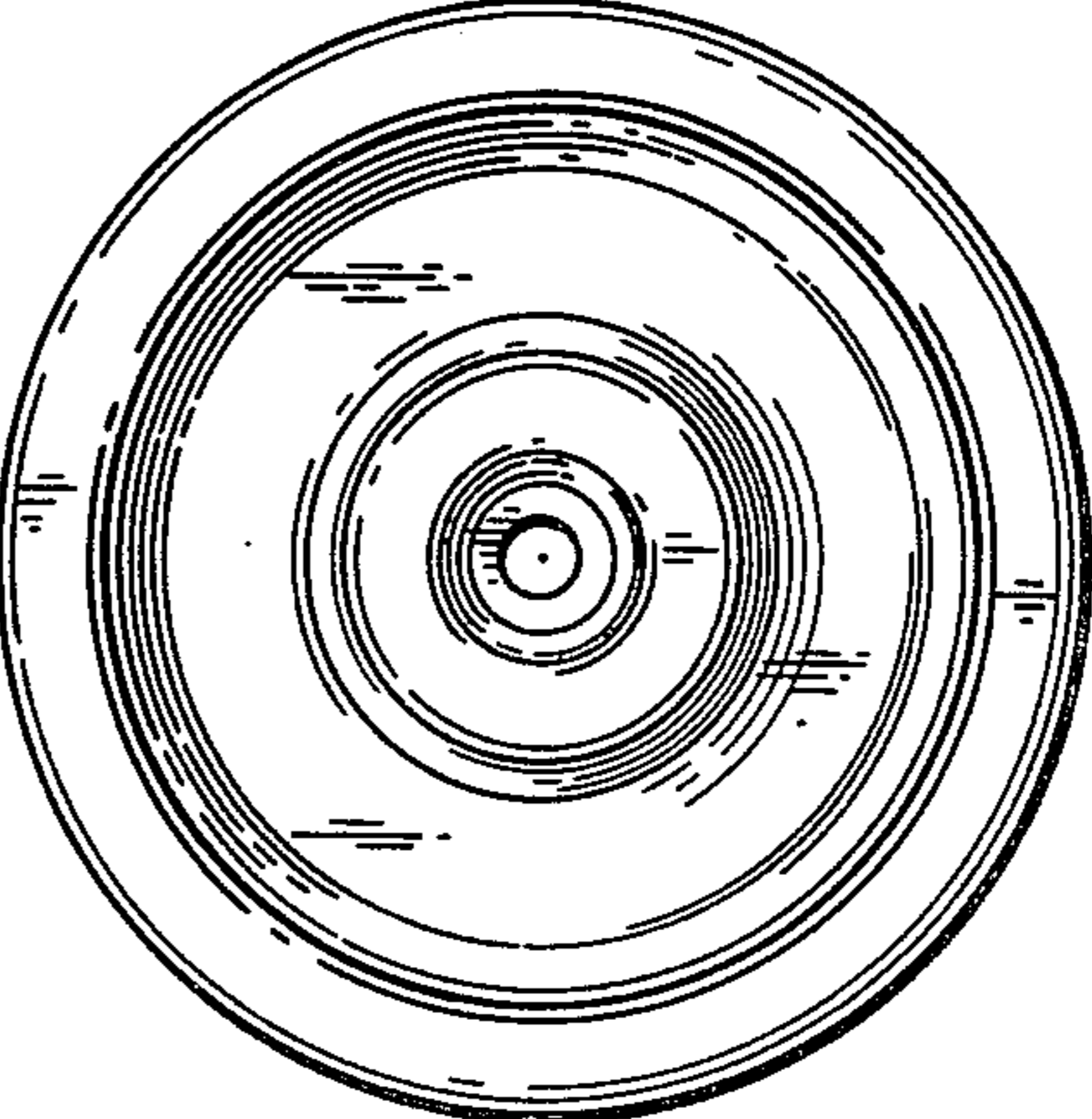


FIG. 5

