

[54] VEHICLE EMERGENCY LIGHT

[76] Inventor: Thomas L. Sailers, P.O. Box 414, Belmont, CA 94002

[**] Term: 14 Years

[21] Appl. No.: 67,177

[22] Filed: Aug. 16, 1979

[52] U.S. Cl. D26/35; D10/114

[58] Field of Search D10/114; D26/24, 28, D26/34, 35, 31; 340/81 R, 84, 89, 87, 134, 94; 362/227, 250, 285, 307, 311, 362, 363, 61, 72

[56] References Cited

U.S. PATENT DOCUMENTS

D. 153,969	5/1949	Murray	D26/31
D. 249,250	9/1978	Peirish, Jr.	D10/114
1,346,567	7/1920	Stover	340/94
3,099,400	7/1963	Holmes	362/72

FOREIGN PATENT DOCUMENTS

838557 5/1952 Fed. Rep. of Germany 340/89

Primary Examiner—Susan J. Lucas

[57] CLAIM

The ornamental design for a vehicle emergency light, as shown and described.

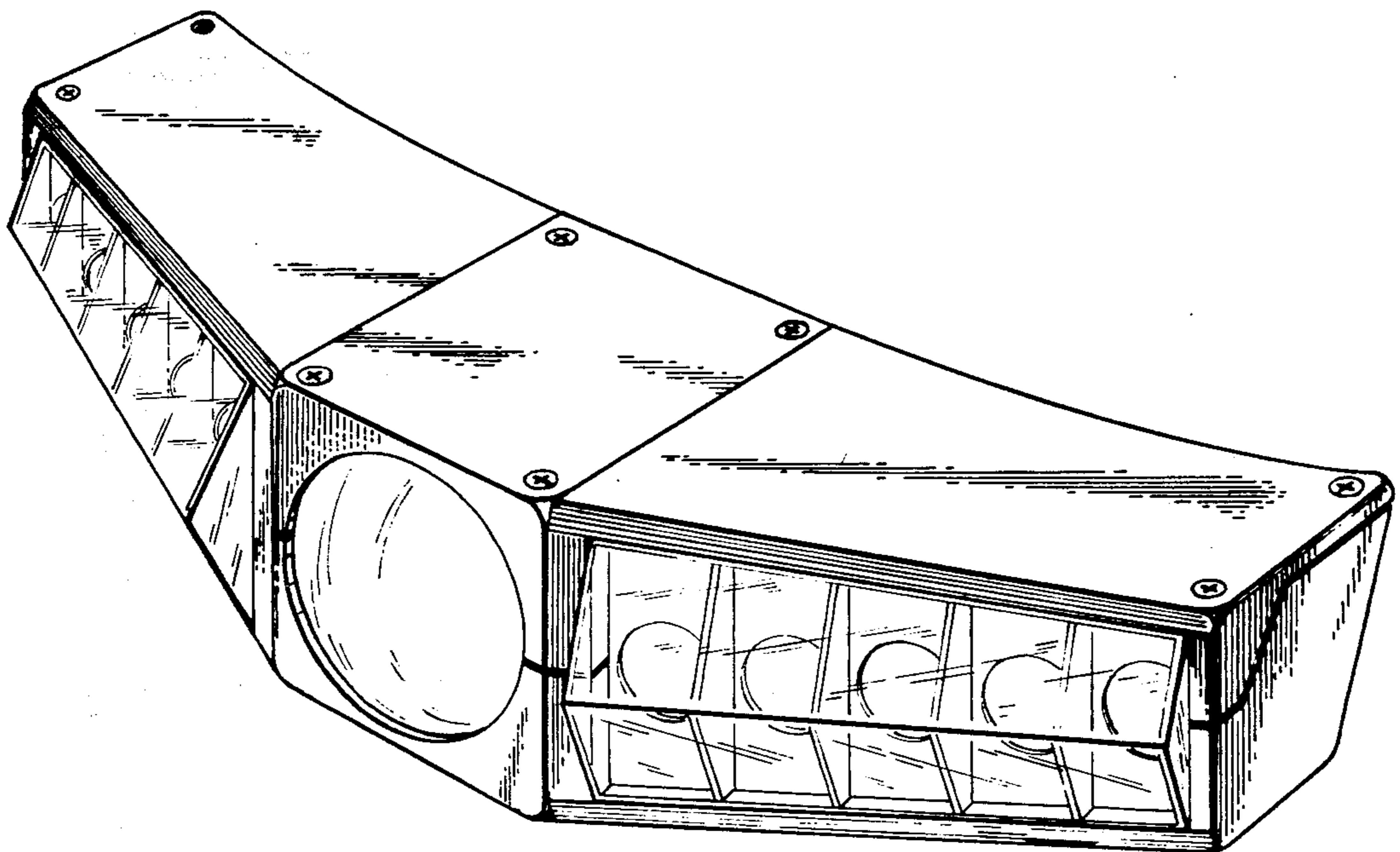
DESCRIPTION

FIG. 1 is a front perspective view of a combined emergency light and speaker housing for a vehicle showing my new design;

FIG. 2 is a rear perspective view thereof on a reduced scale;

FIG. 3 is a front elevational view thereof on a greatly reduced scale;

FIG. 4 is an end elevational view thereof on a greatly reduced scale with a motorcycle fragmentarily shown in broken lines for illustrative purposes only.



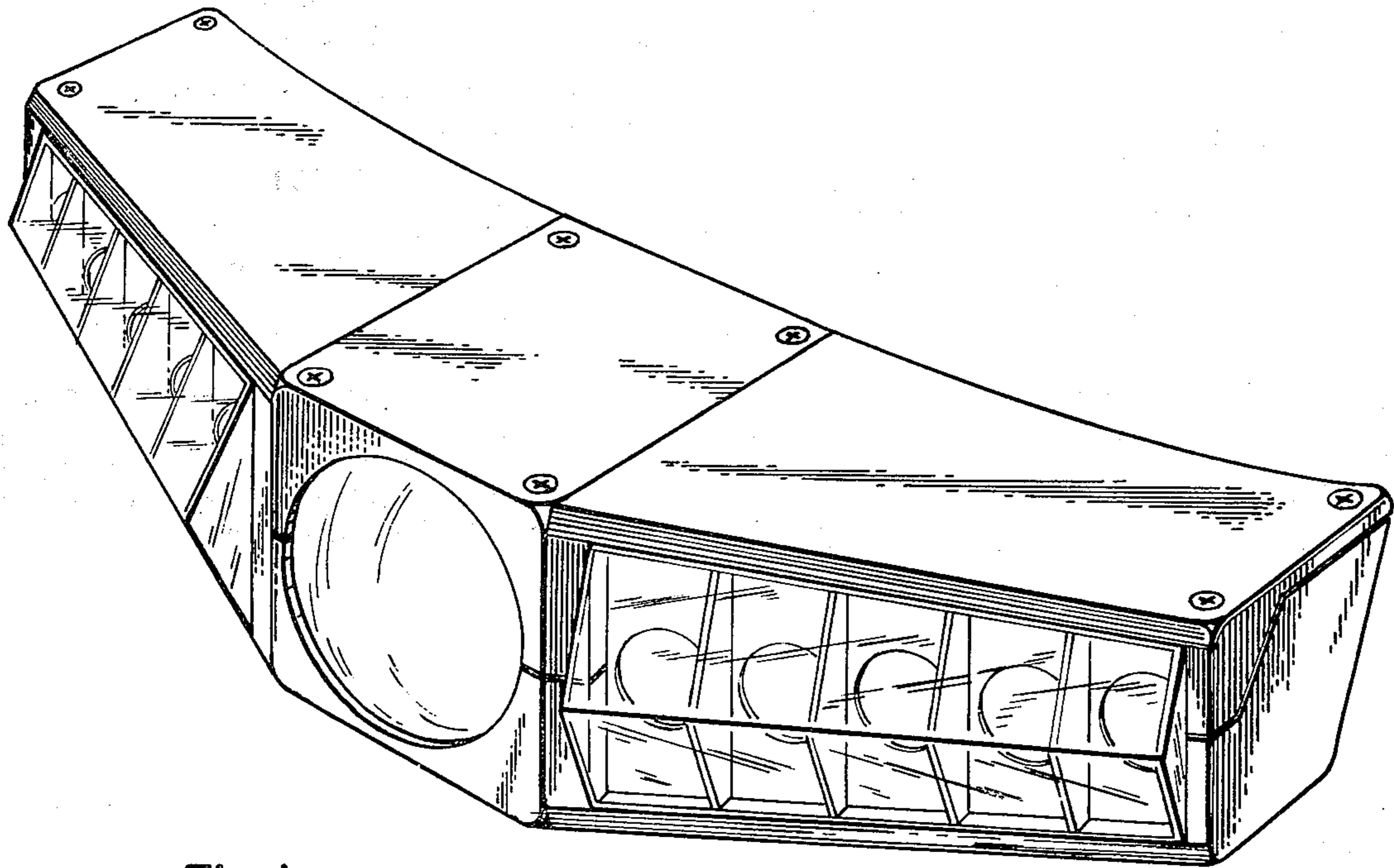


Fig. 1.

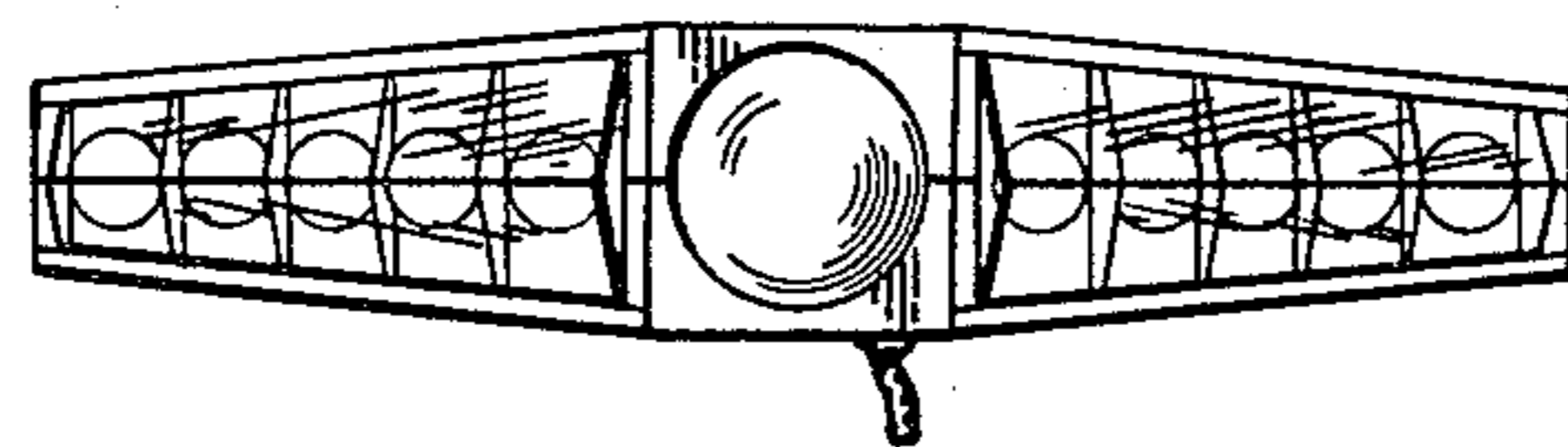


Fig. 3.

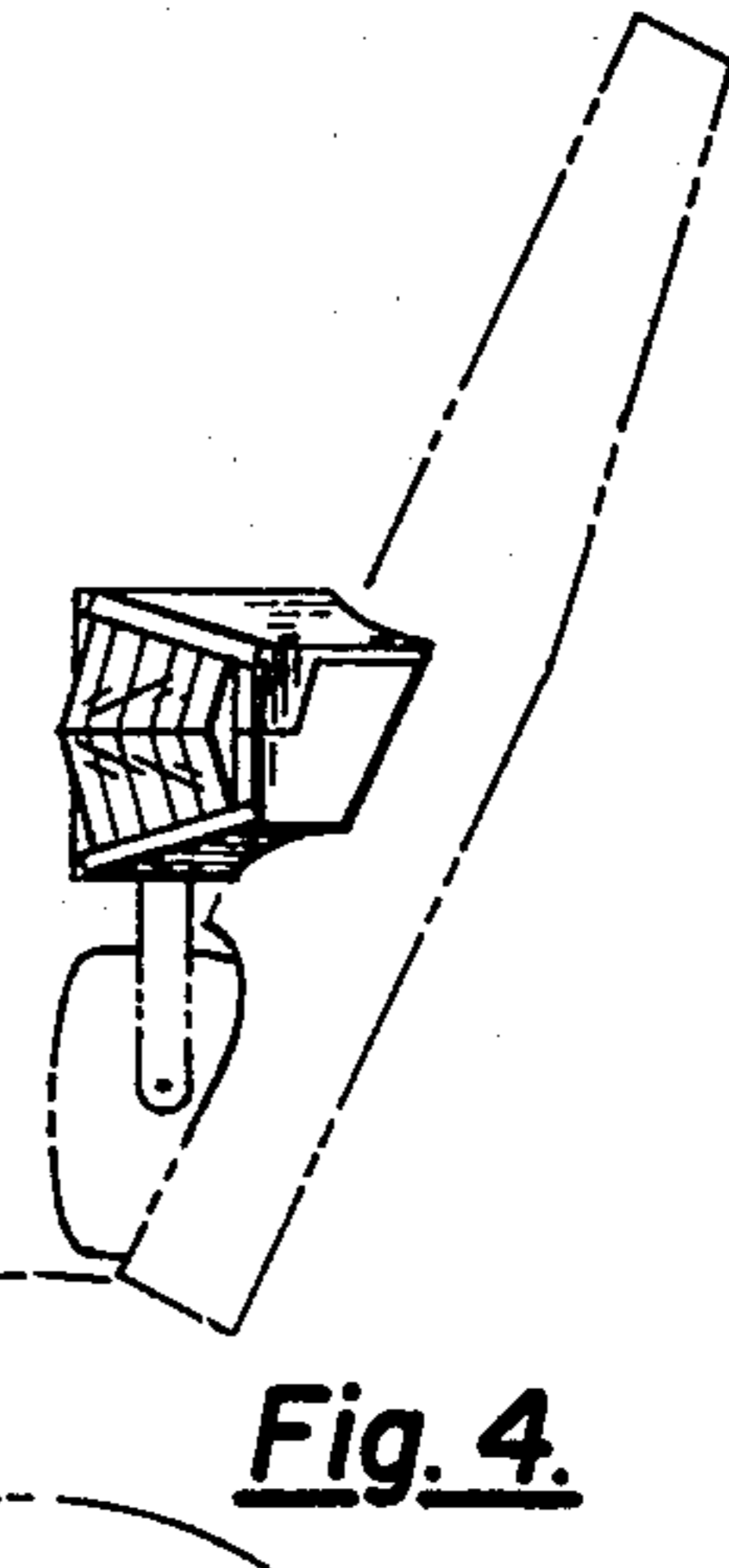


Fig. 4.

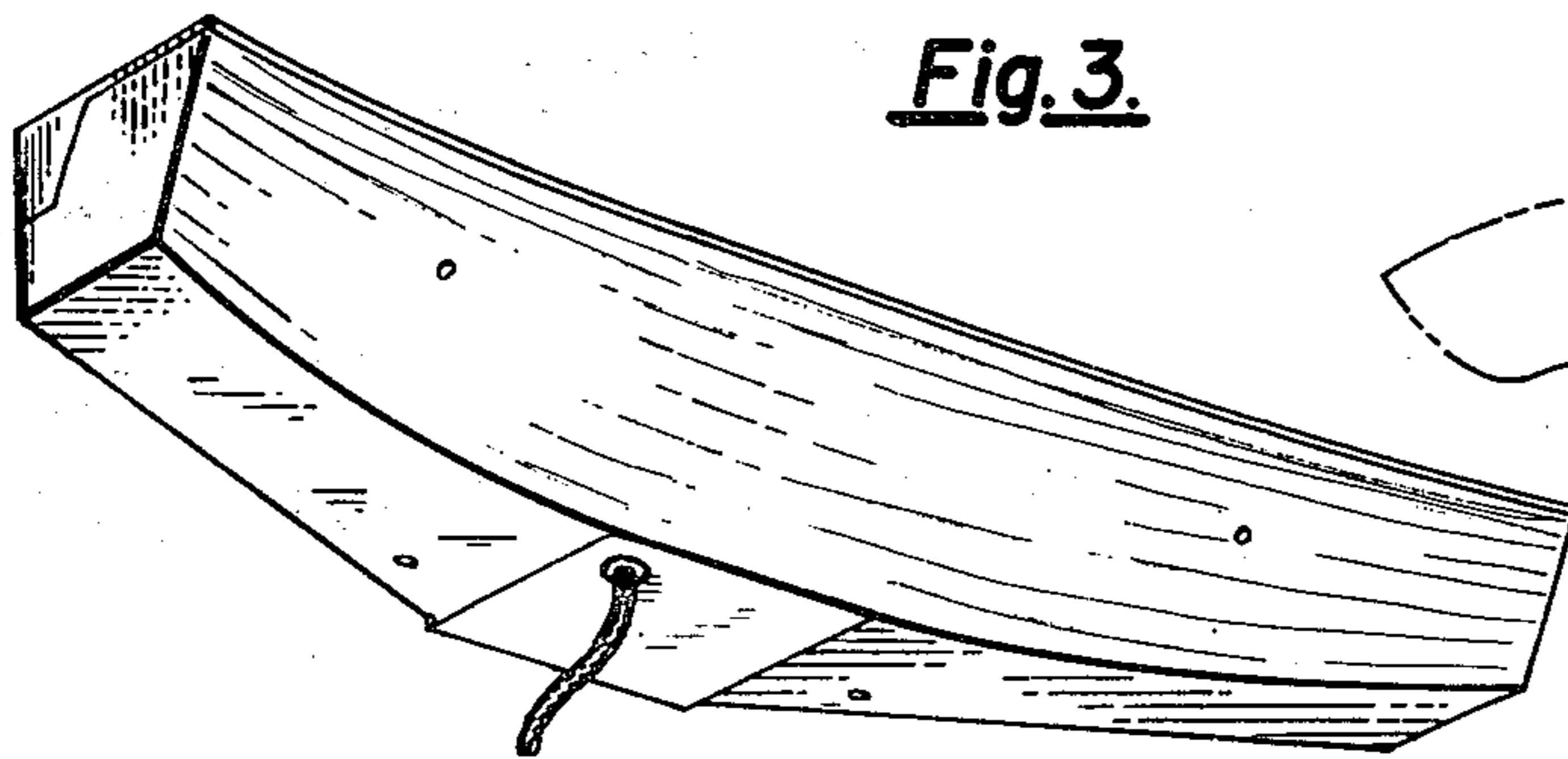


Fig. 2.