

[54] HEADLIGHT

[75] Inventor: Francois Bailly, Neuilly sur Seine, France

[73] Assignee: Equipements Automobiles Marchal S.A., Issy-les-Moulineaux, France

[**] Term: 14 Years

[21] Appl. No.: 436,530

[22] Filed: Oct. 22, 1982

[52] U.S. Cl. D26/29

[58] Field of Search D26/24, 28, 29, 30, D26/31, 34, 36; 362/61, 235, 250, 307, 310, 311, 341, 362, 363, 418, 419, 427

[56] References Cited

U.S. PATENT DOCUMENTS

D. 224,143 7/1972 Cleminshaw et al. D26/36

D. 229,774 1/1974 Cibie D26/29
D. 237,648 11/1975 Cibie D26/28
3,896,302 7/1975 Whitney 362/310

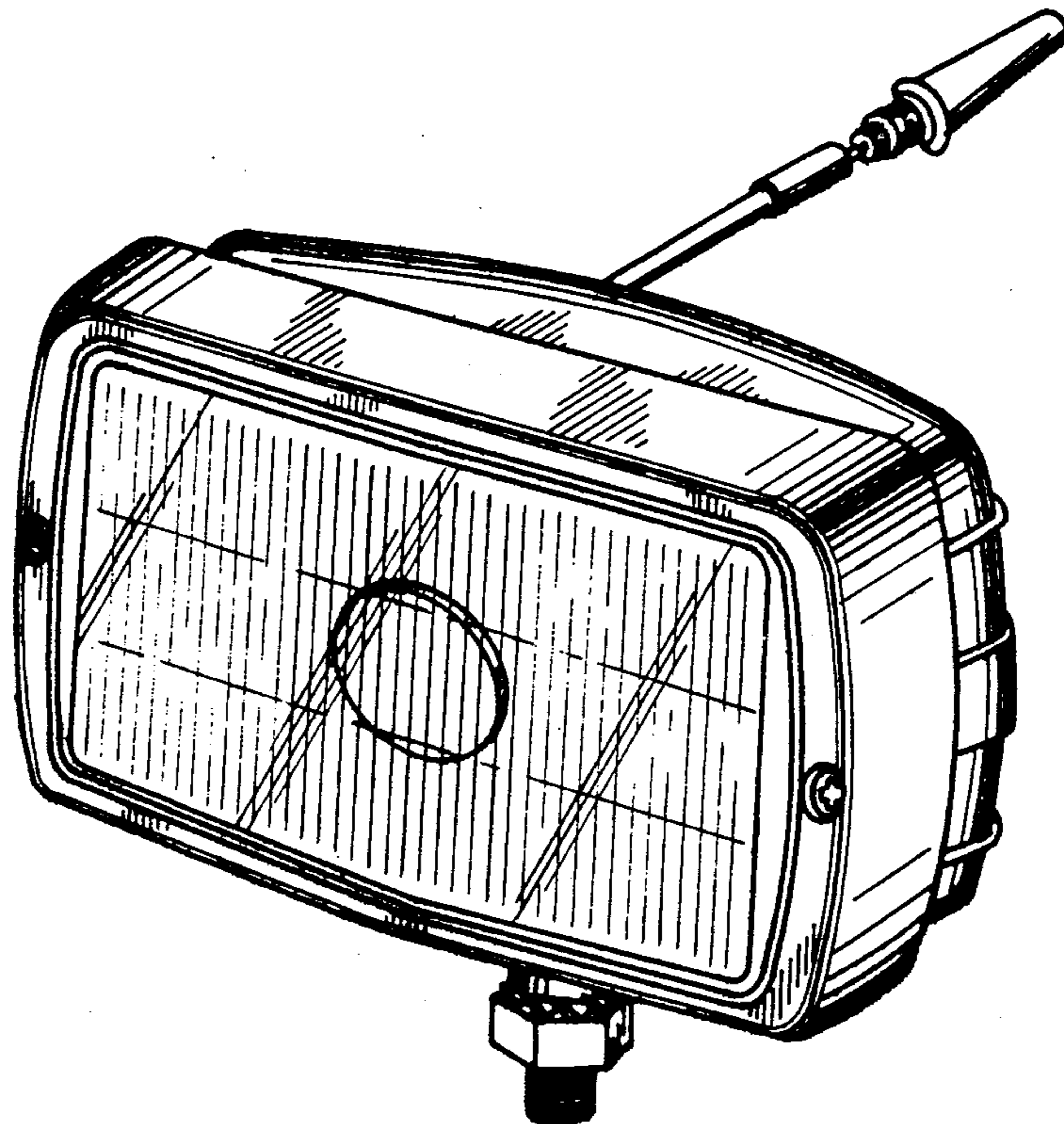
Primary Examiner—Susan J. Lucas
Attorney, Agent, or Firm—Brisebois & Kruger

[57] CLAIM

The ornamental design for a headlight, as shown.

DESCRIPTION

FIG. 1 is a front perspective view of a headlight showing the new design;
FIG. 2 is a rear perspective view thereof;
FIG. 3 is a front view in elevation thereof;
FIG. 4 is a top plan view thereof;
FIG. 5 is a bottom plan view thereof;
FIG. 6 is a rear view in elevation thereof;
FIG. 7 is a left hand end view thereof; and
FIG. 8 is a right hand end view thereof.



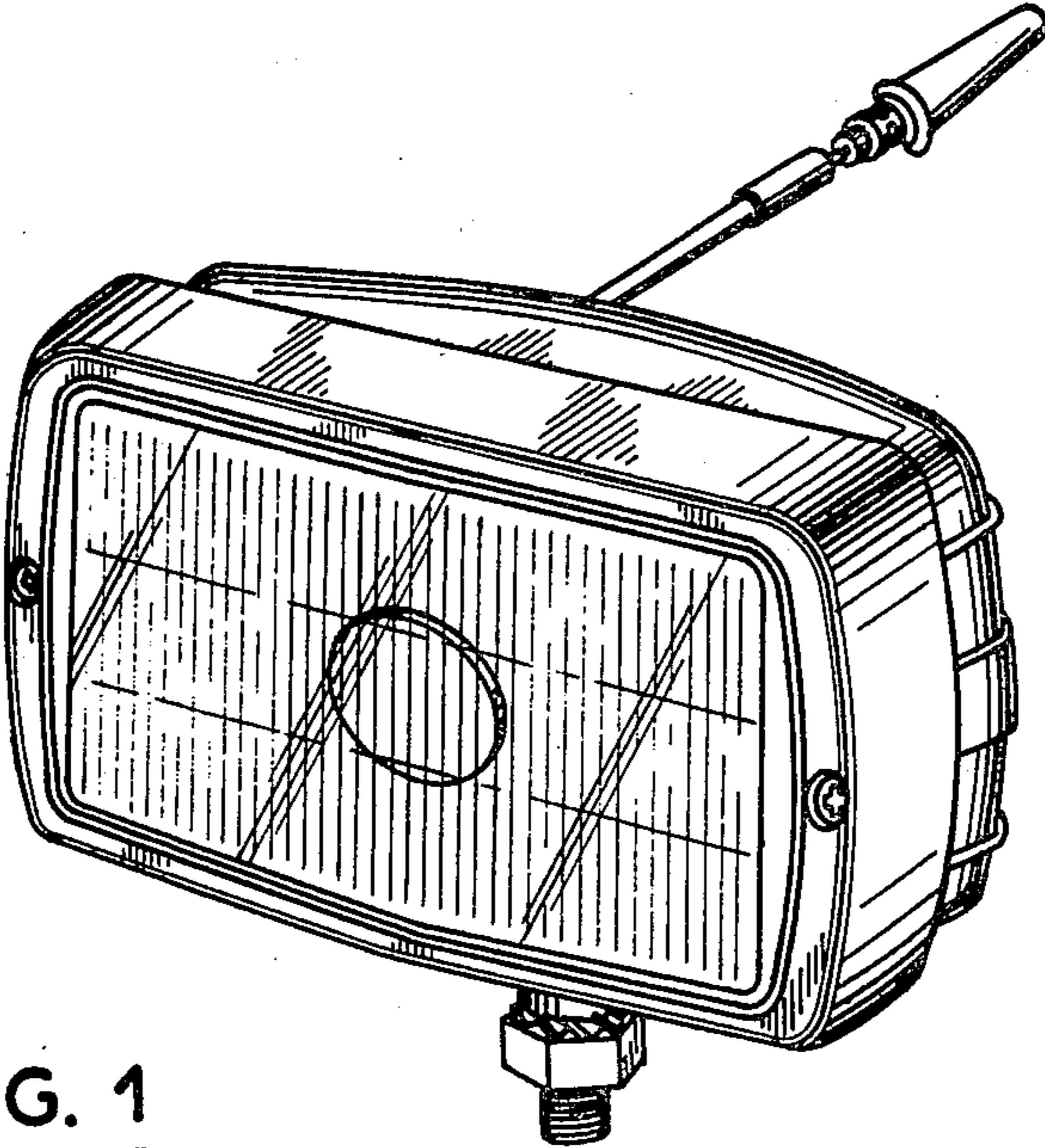


FIG. 1

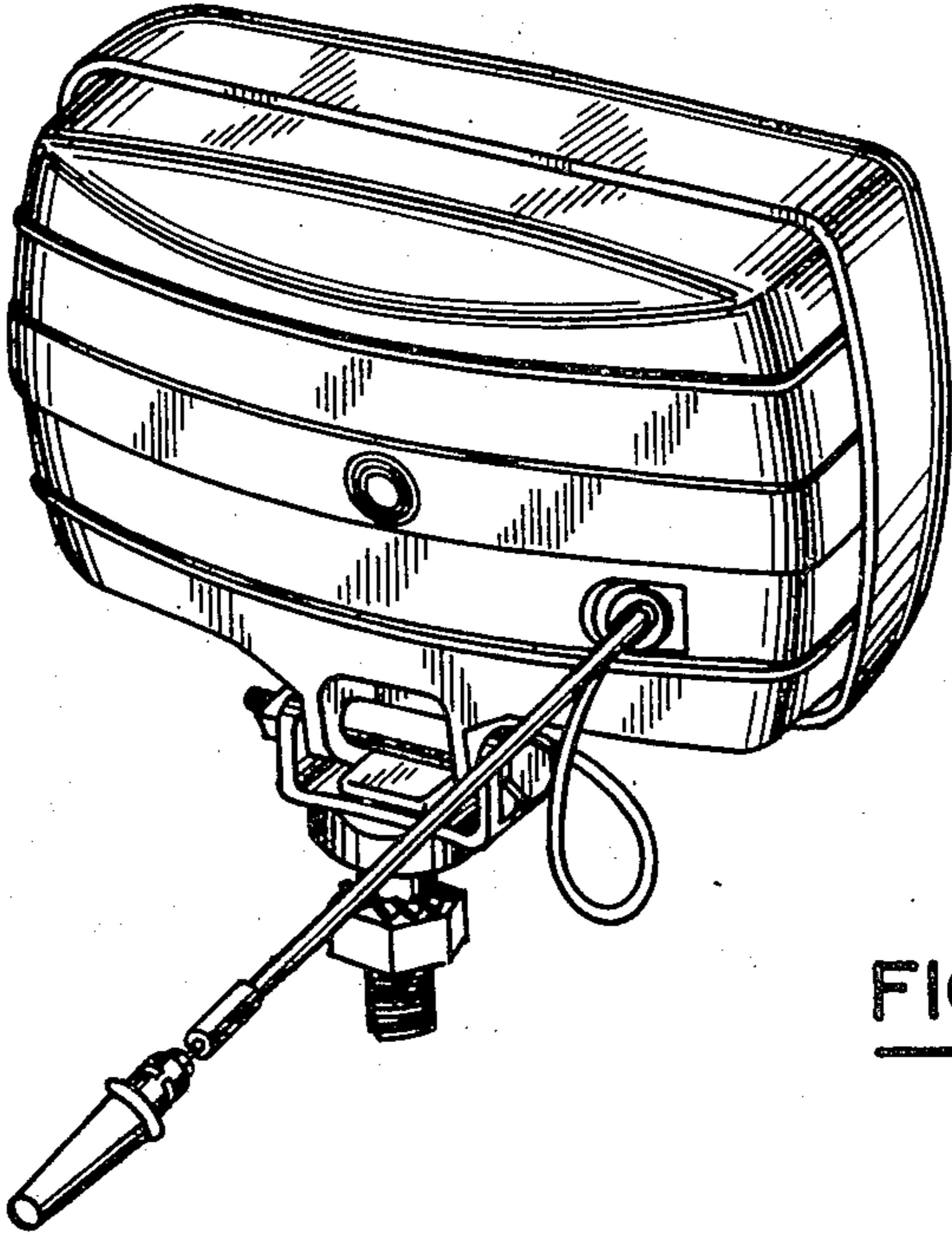


FIG. 2

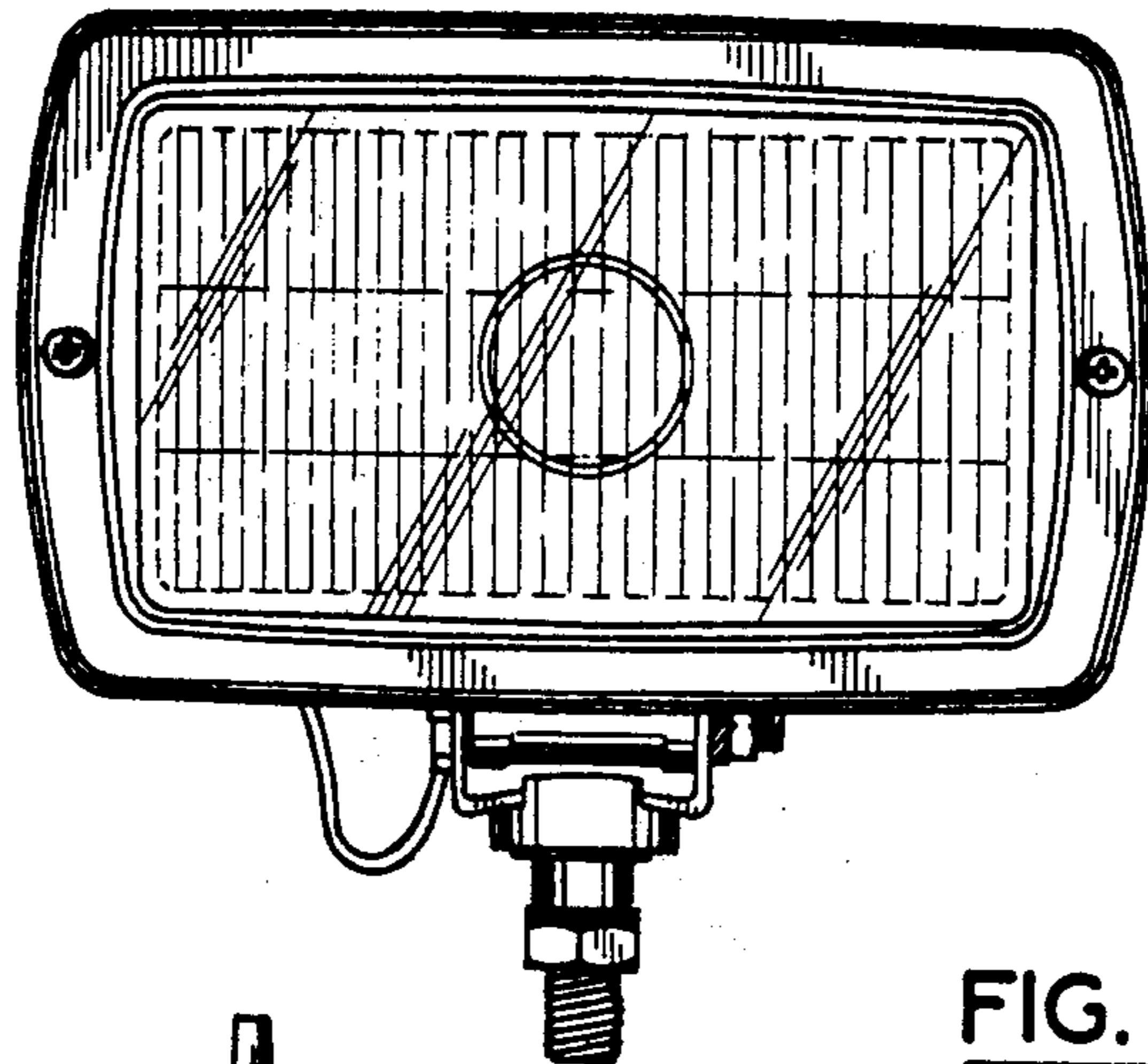


FIG. 3

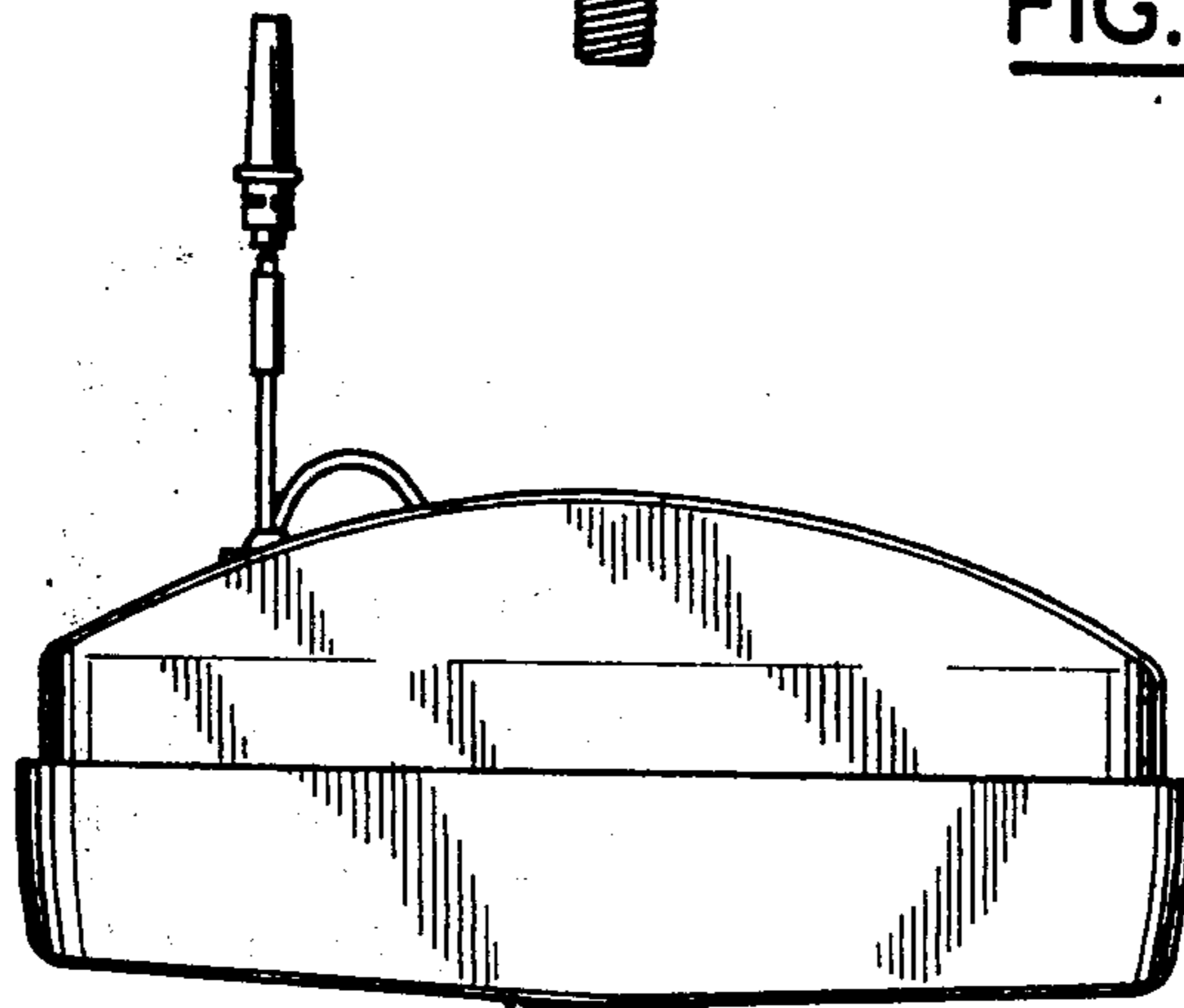


FIG. 4

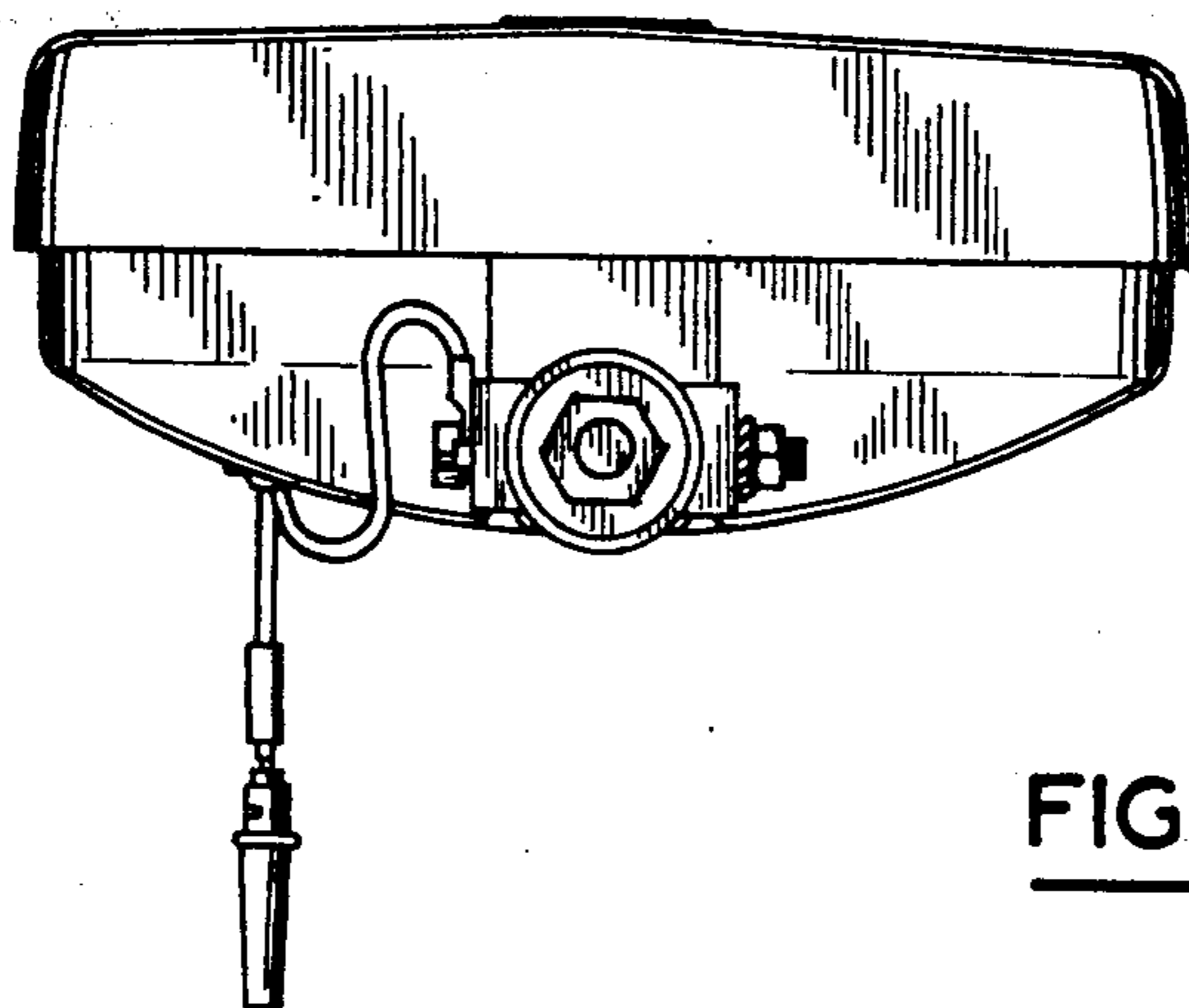


FIG. 5

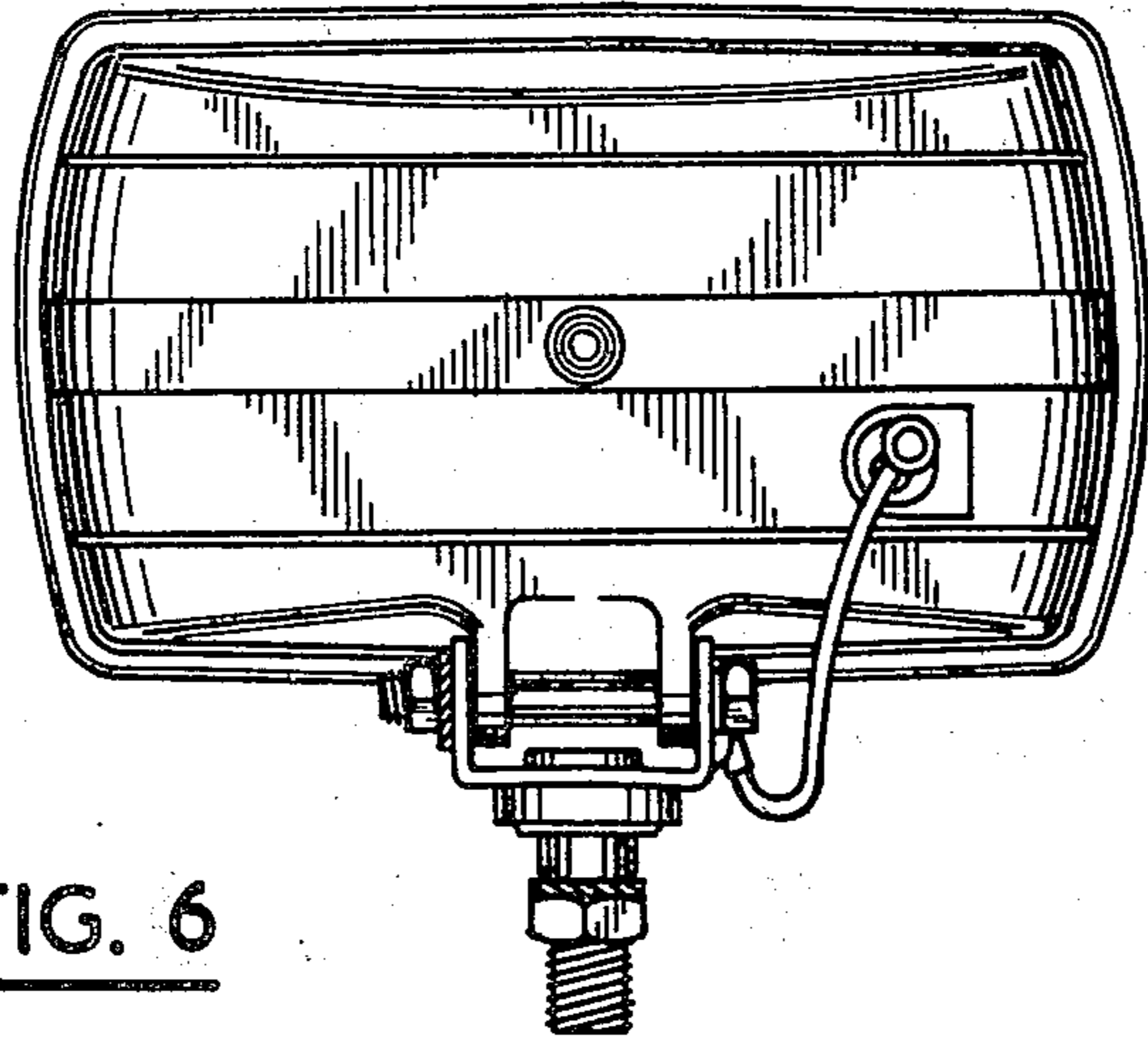


FIG. 6

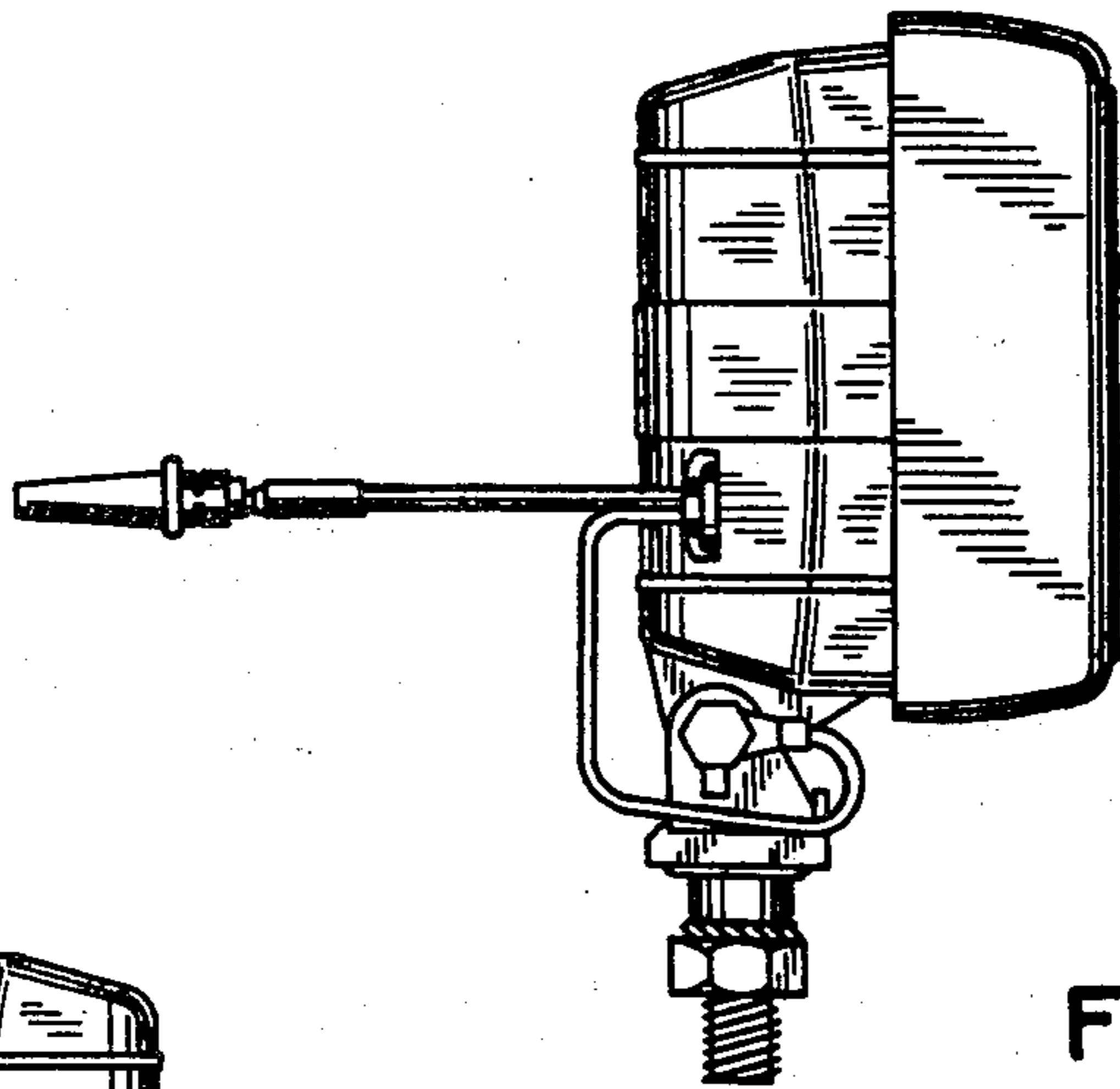


FIG. 7

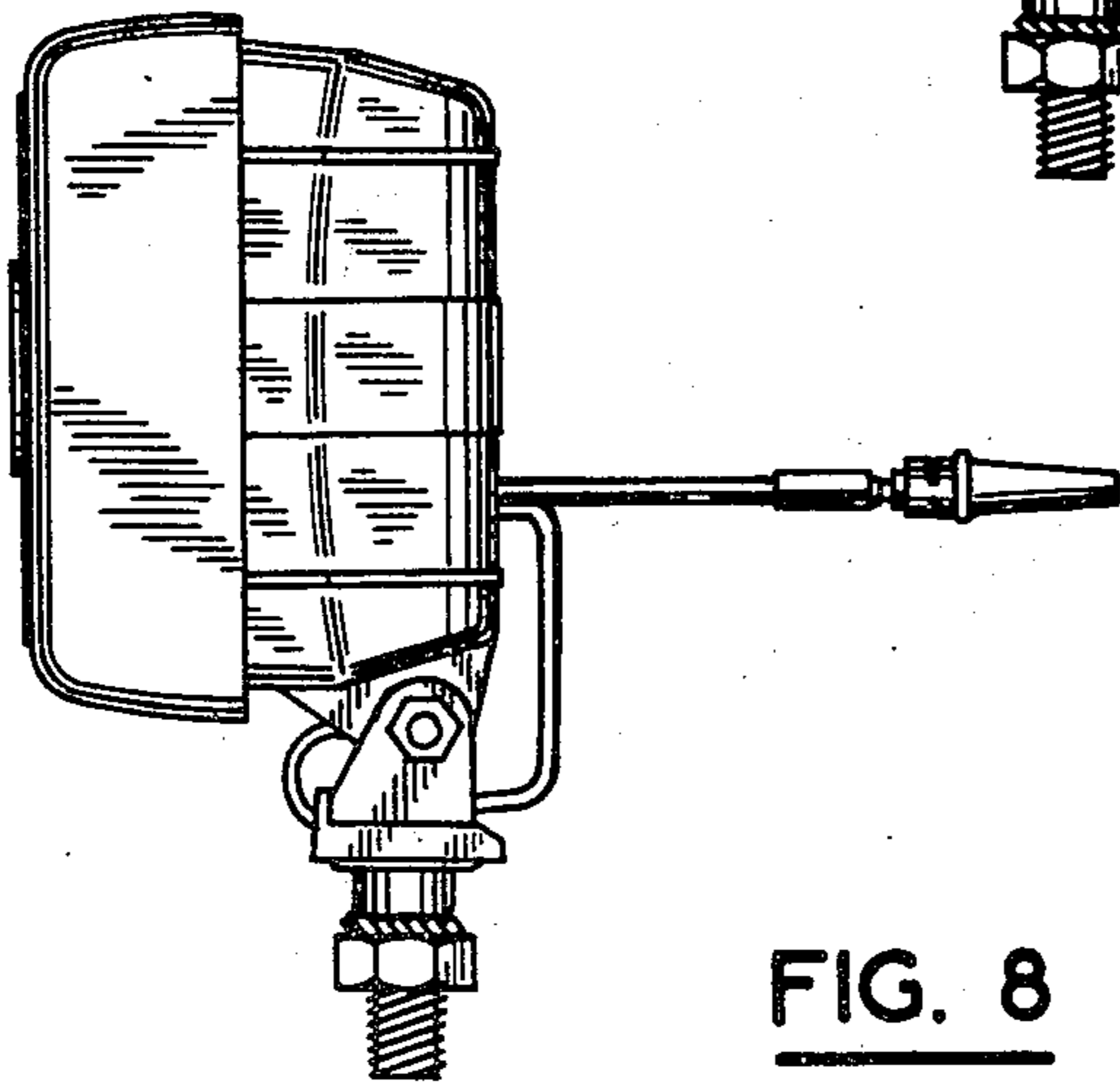


FIG. 8