

[54] **FLOORING UNIT**

[75] **Inventor:** Robert K. Ballantine, Mullaloo
Perth, Australia

[73] **Assignee:** BCM Manufacturing Ltd., Calgary,
Canada

[**] **Term:** 14 Years

[21] **Appl. No.:** 348,392

[22] **Filed:** Feb. 12, 1982

[30] **Foreign Application Priority Data**

Aug. 20, 1981 [CA] Canada 2008819
[52] **U.S. Cl.** D25/91; D25/87
[58] **Field of Search** D25/80, 87, 88, 89,
D25/90; 98/121 R; 52/303, 177, 180, 660-665

[56]

References Cited

U.S. PATENT DOCUMENTS

D. 270,292 8/1983 Johnson D25/91
2,360,933 10/1944 Bunker D25/91 X
3,530,782 9/1970 Ardussi 98/121 R X

Primary Examiner—A. Hugo Word
Attorney, Agent, or Firm—Rogers, Bereskin & Parr

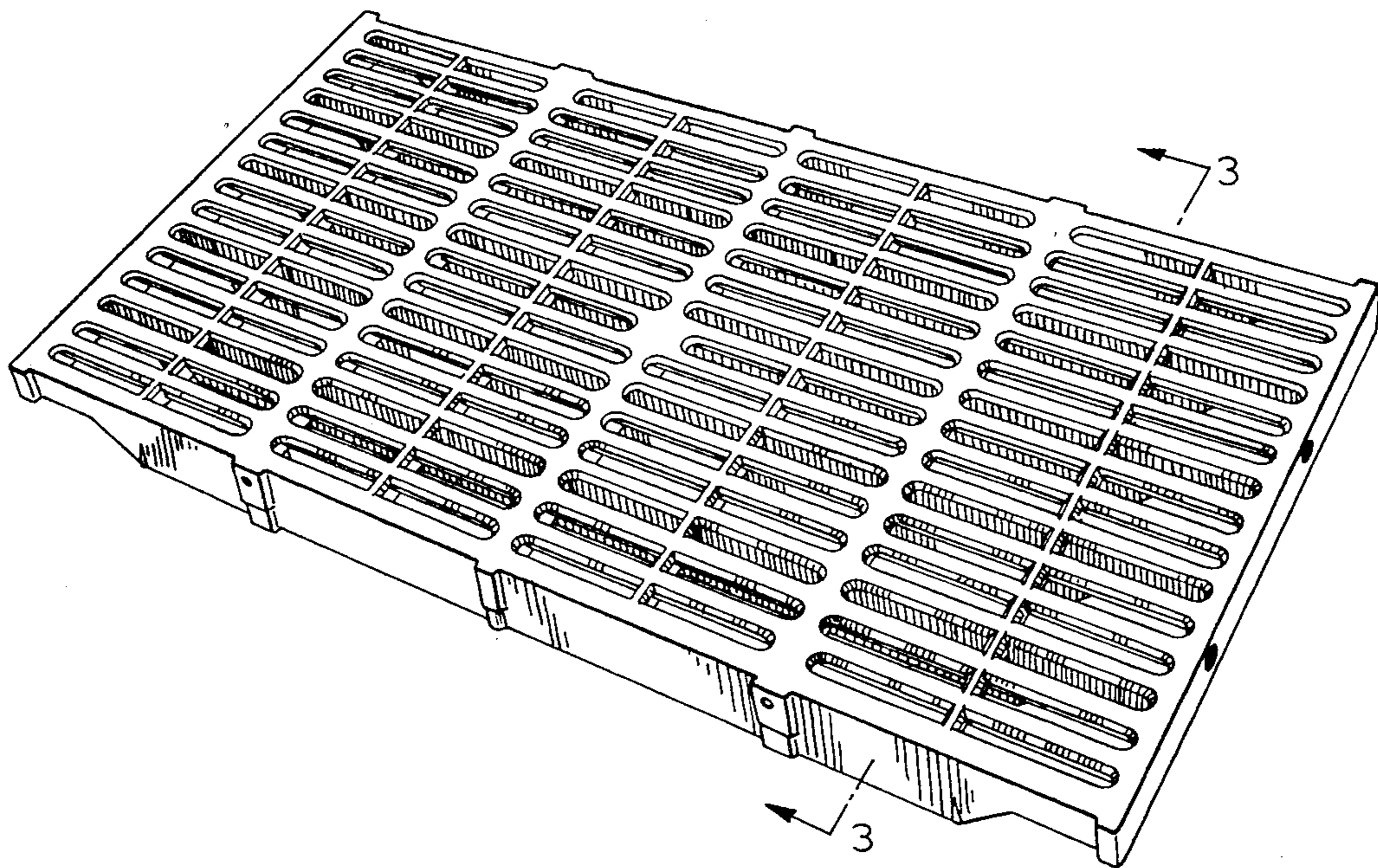
[57]

CLAIM

The ornamental design for a flooring unit, as shown and described.

DESCRIPTION

FIG. 1 is a perspective view from above and to one side and one end of a flooring unit according to a first embodiment of said design;
FIG. 2 is a perspective view from below and from the opposite end and side of the flooring unit of FIG. 1;
FIG. 3 is a sectional view on line 3—3 of FIG. 1; and,
FIGS. 4, 5 and 6 are views corresponding respectively to FIGS. 1, 2 and 3 of a flooring unit according to a second embodiment of said design.



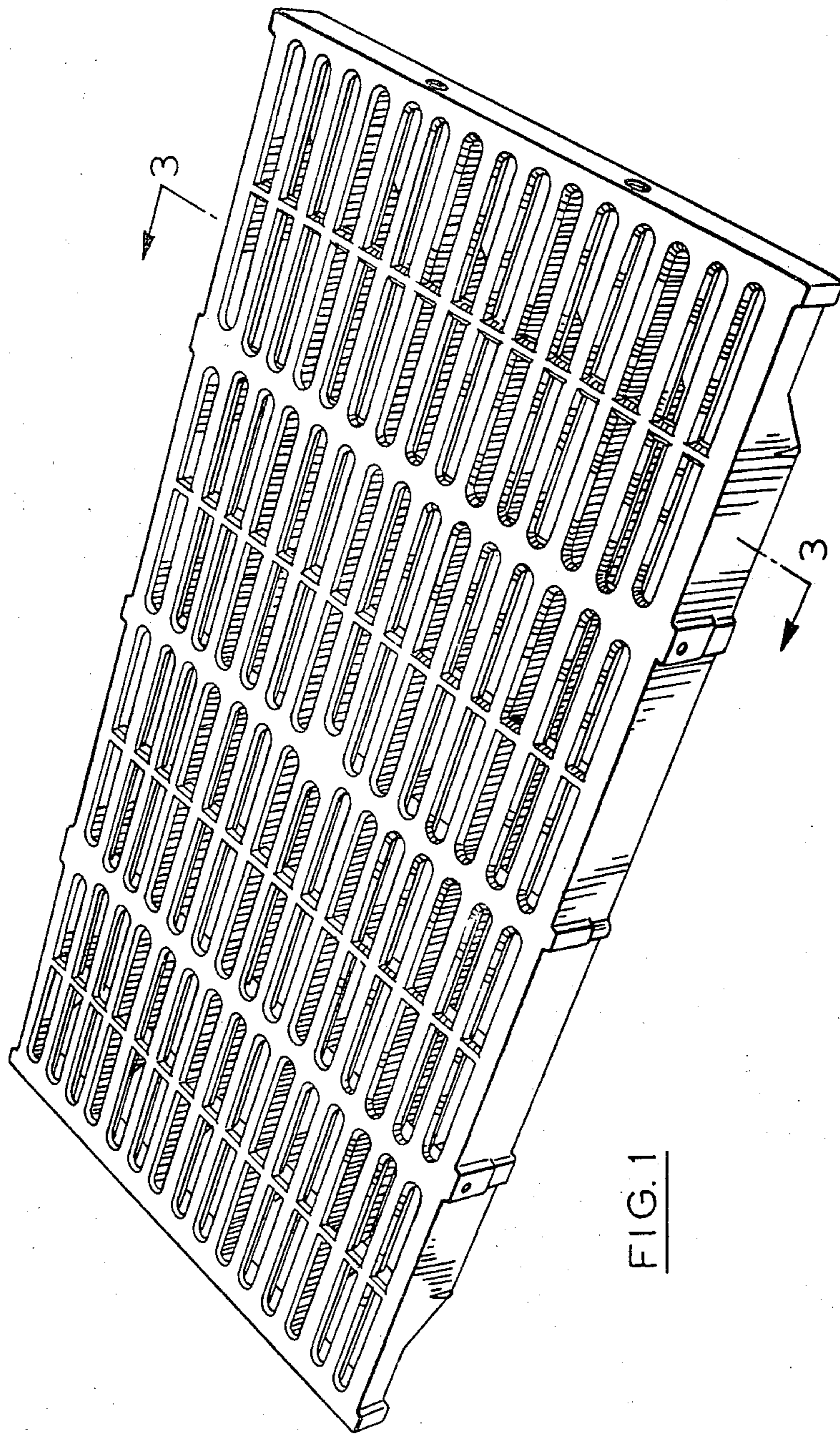


FIG. 1

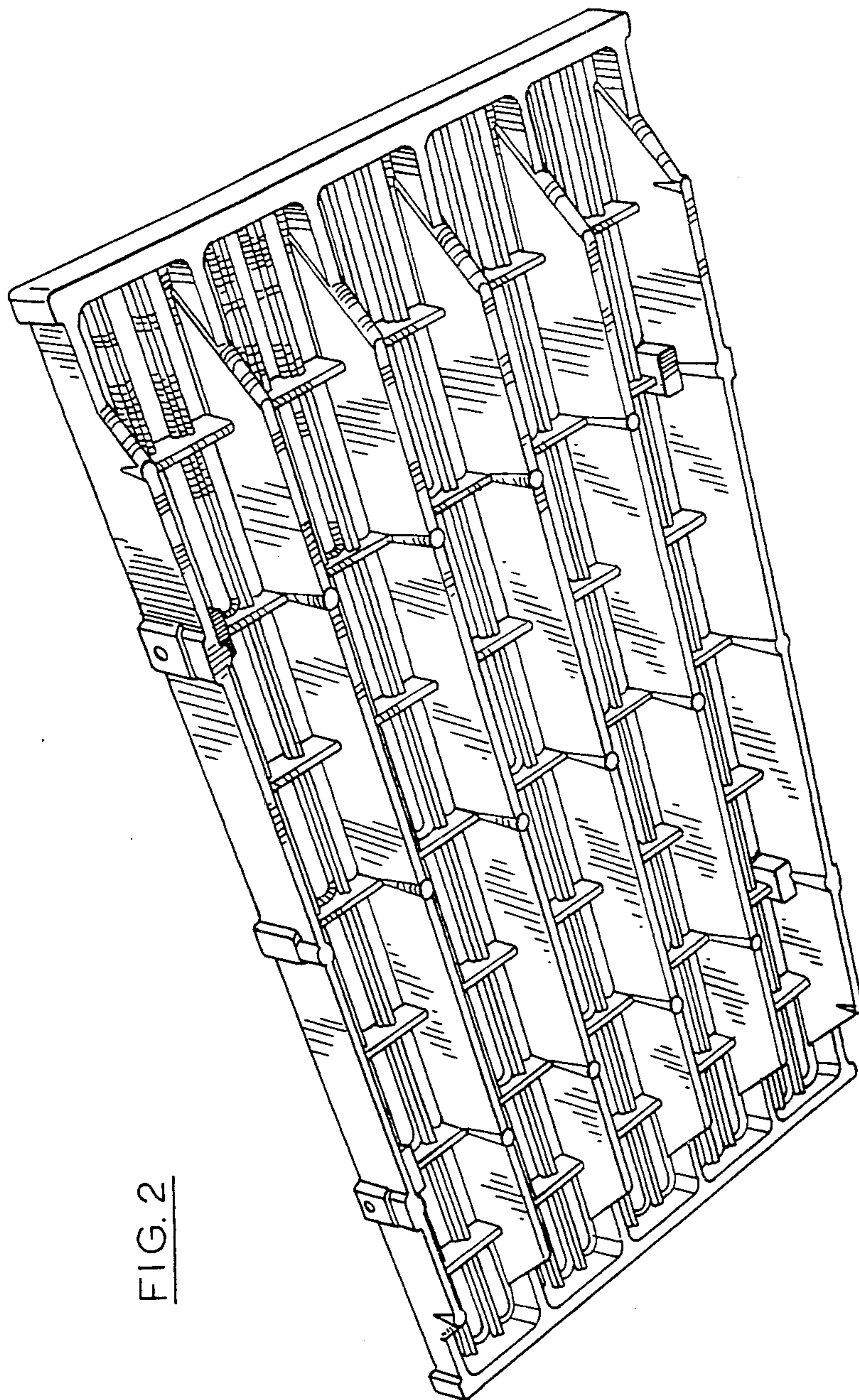


FIG. 2

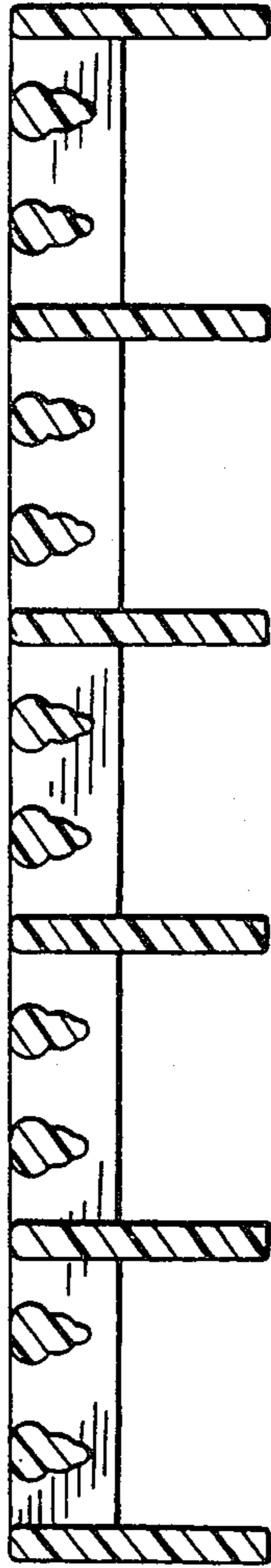


FIG. 3

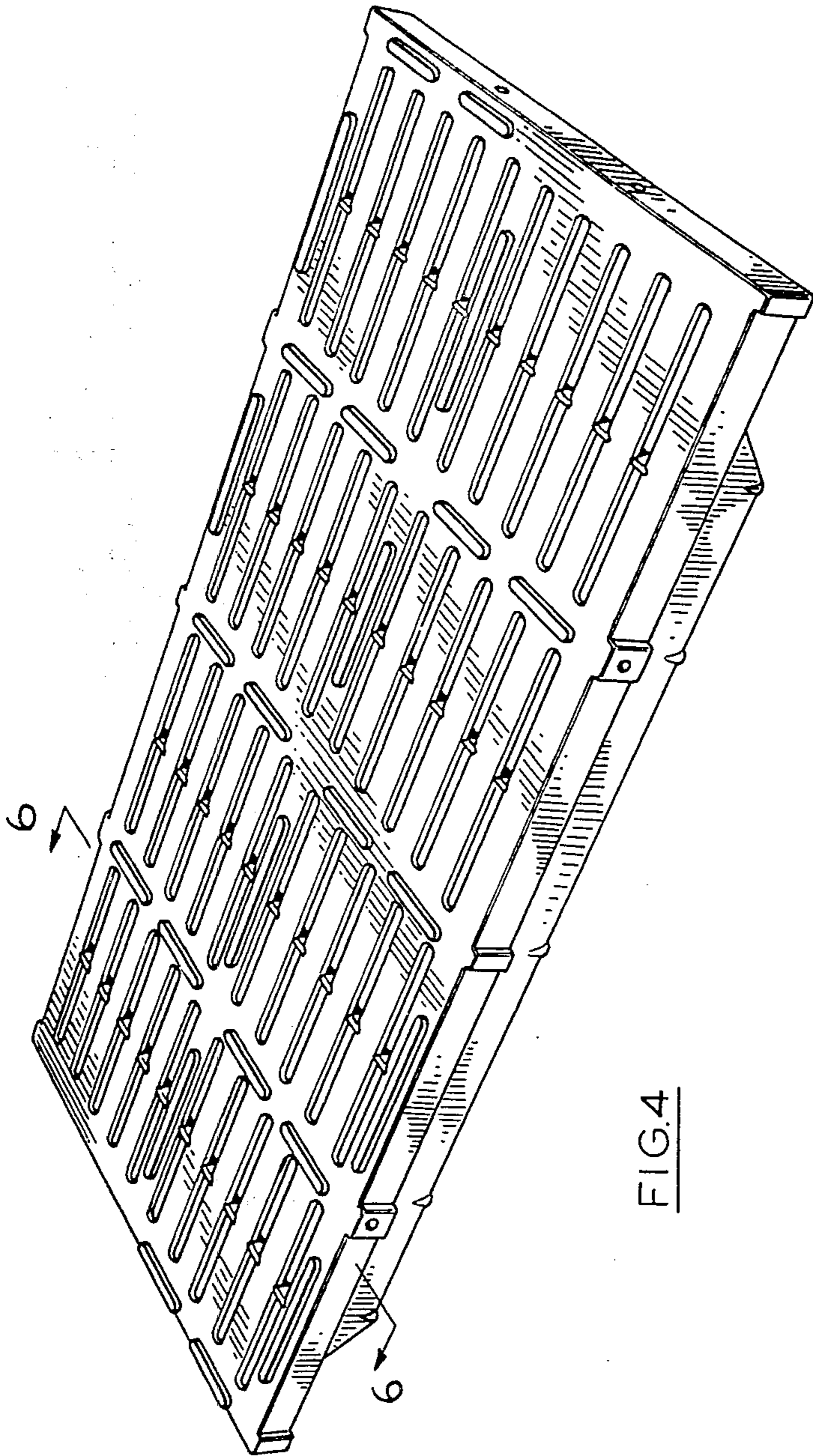


FIG.4

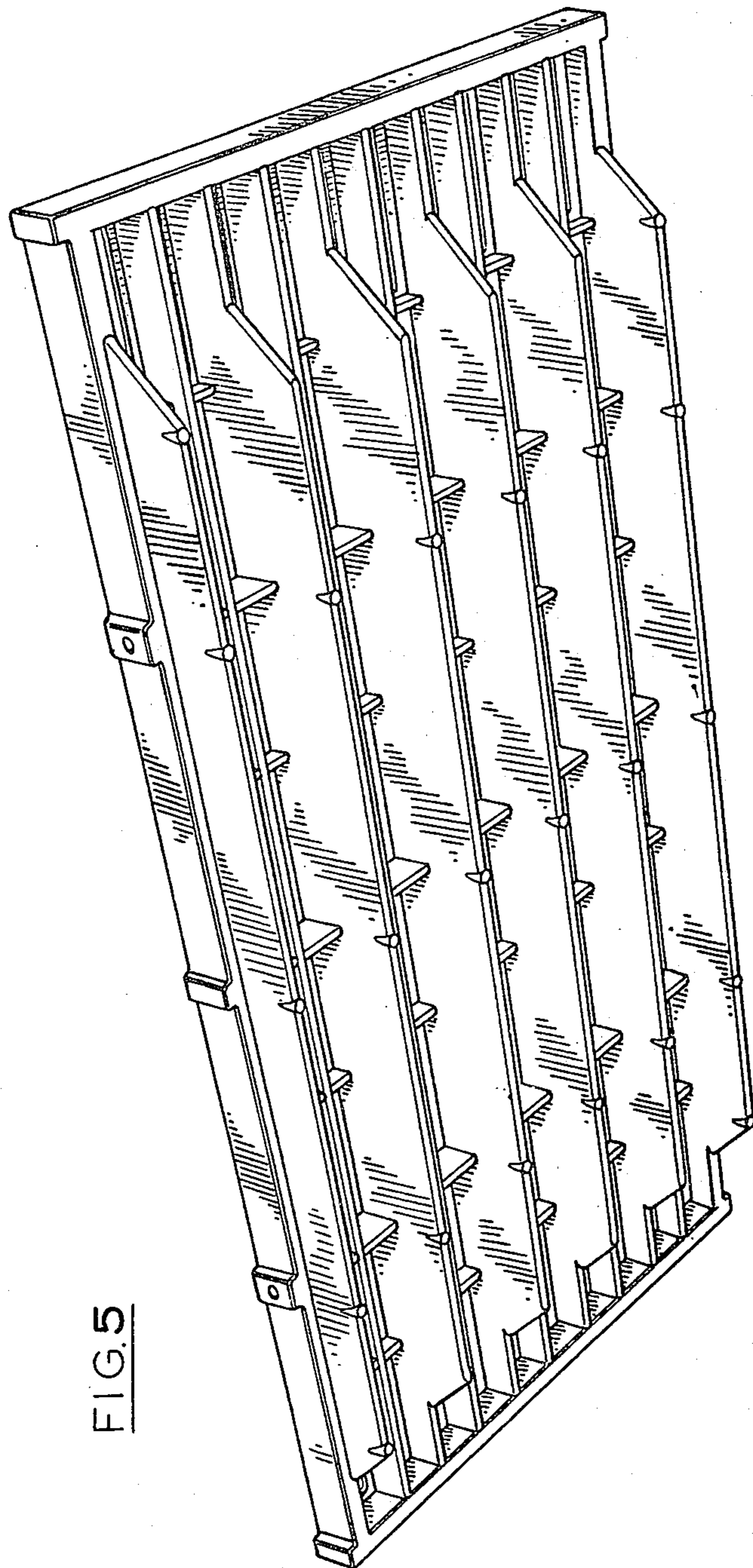


FIG. 5

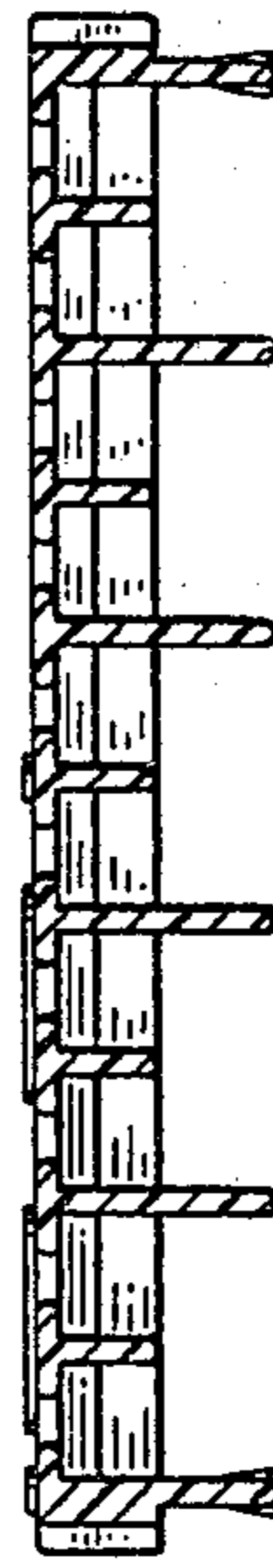


FIG. 6