

[54] **FLOOR DECK**

[75] **Inventor:** Thomas G. Ryan, Bethel Park, Pa.

[73] **Assignee:** Cyclops Corporation, Pittsburgh, Pa.

[\*\*] **Term:** 14 Years

[21] **Appl. No.:** 361,094

[22] **Filed:** Mar. 23, 1982

[52] **U.S. Cl.** ..... D25/75; D25/73

[58] **Field of Search** ..... 52/334, 335, 336, 337,  
52/338, 478, 537, 520, 522; D25/73, 74, 75, 80

[56]

**References Cited**

**U.S. PATENT DOCUMENTS**

3,399,497	8/1968	Shea et al. ....	D25/74 X
3,660,482	5/1972	Elizalde .....	52/478 X
4,271,653	6/1981	Buchhorn .....	D25/73 X

*Primary Examiner*—A. Hugo Word  
*Attorney, Agent, or Firm*—William J. Ruano

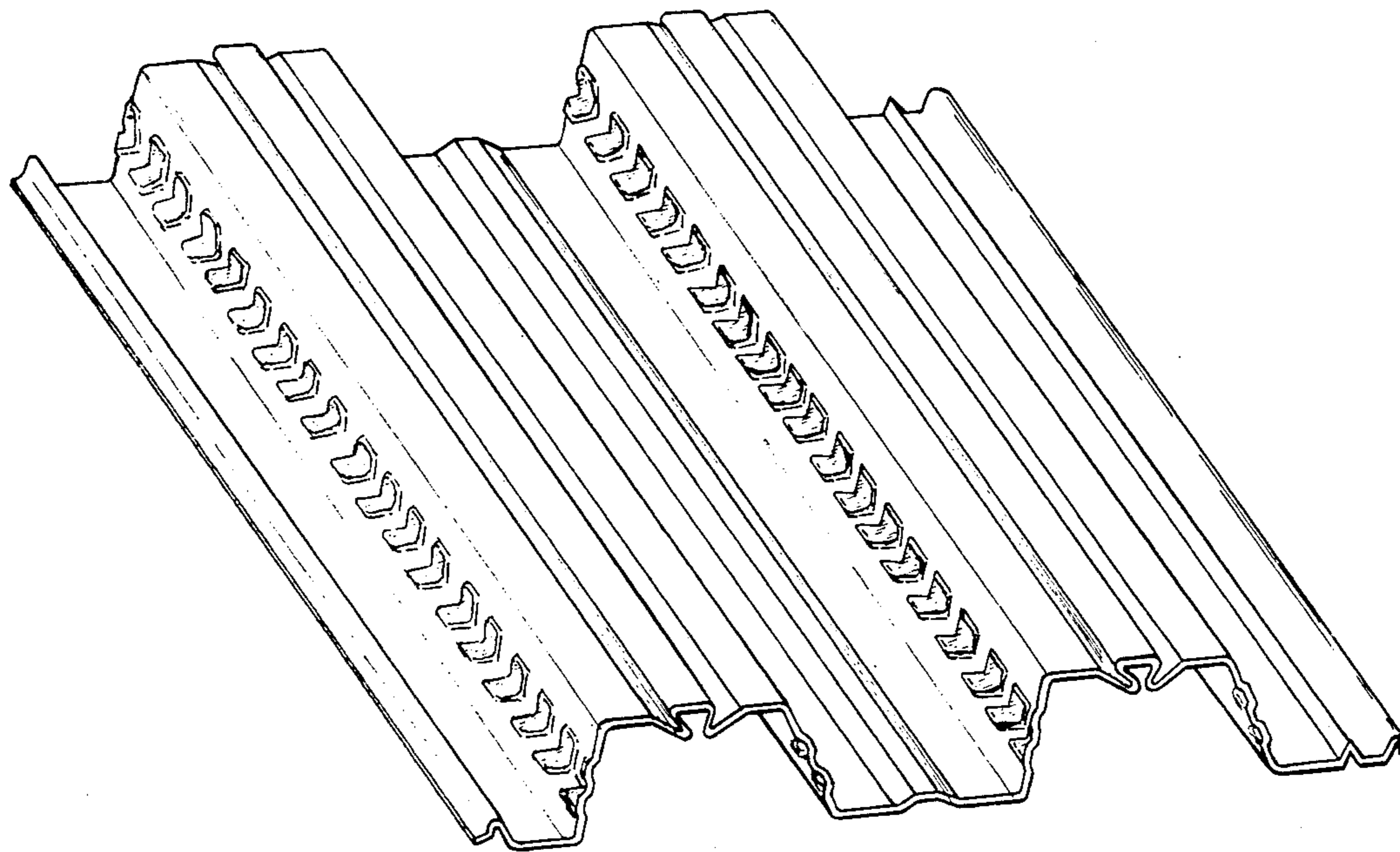
[57]

**CLAIM**

The ornamental design for a floor deck, as shown.

**DESCRIPTION**

FIG. 1 is a top perspective view of a floor deck showing my new design; and  
FIG. 2 is a bottom perspective view thereof.



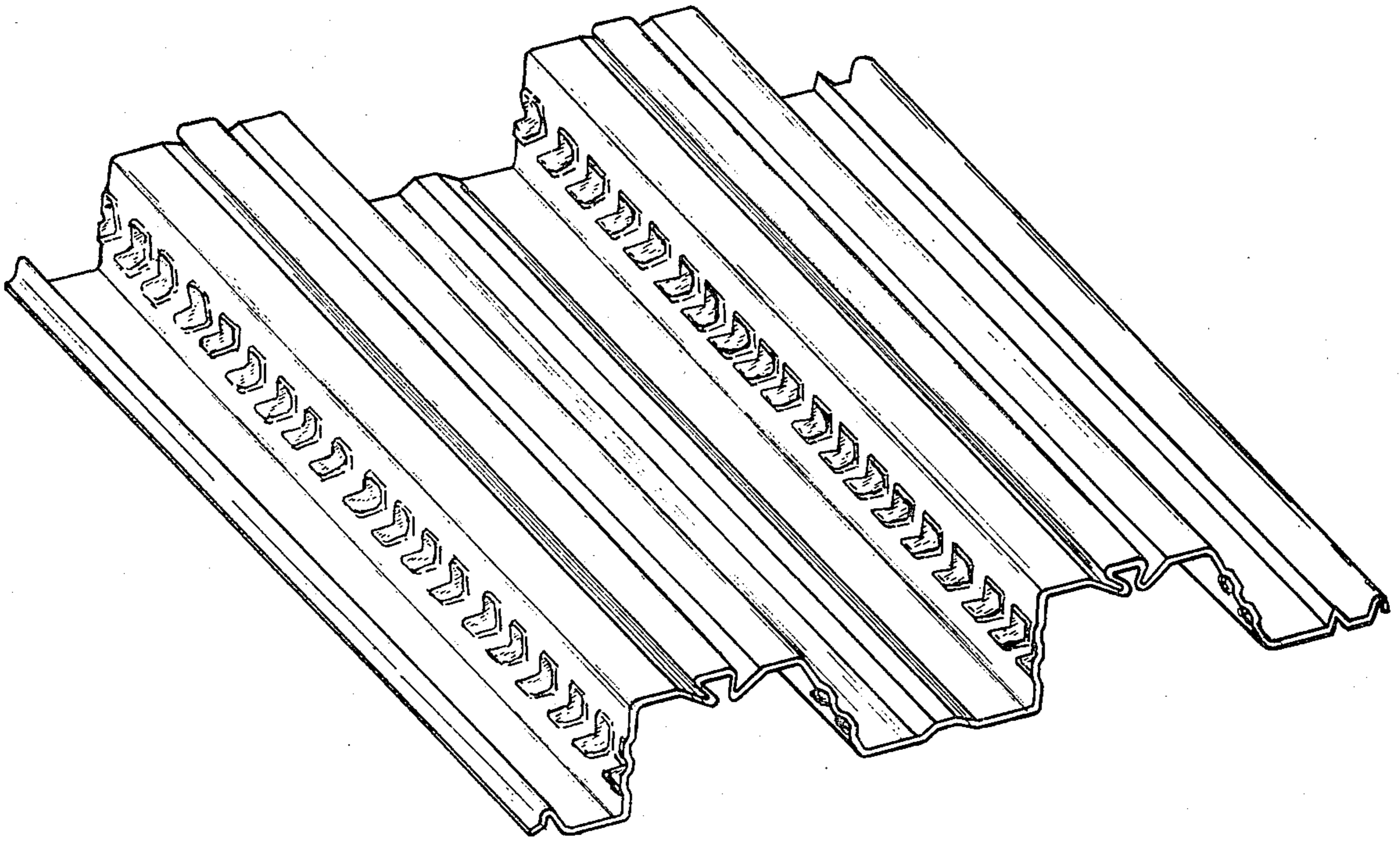


Fig. 1

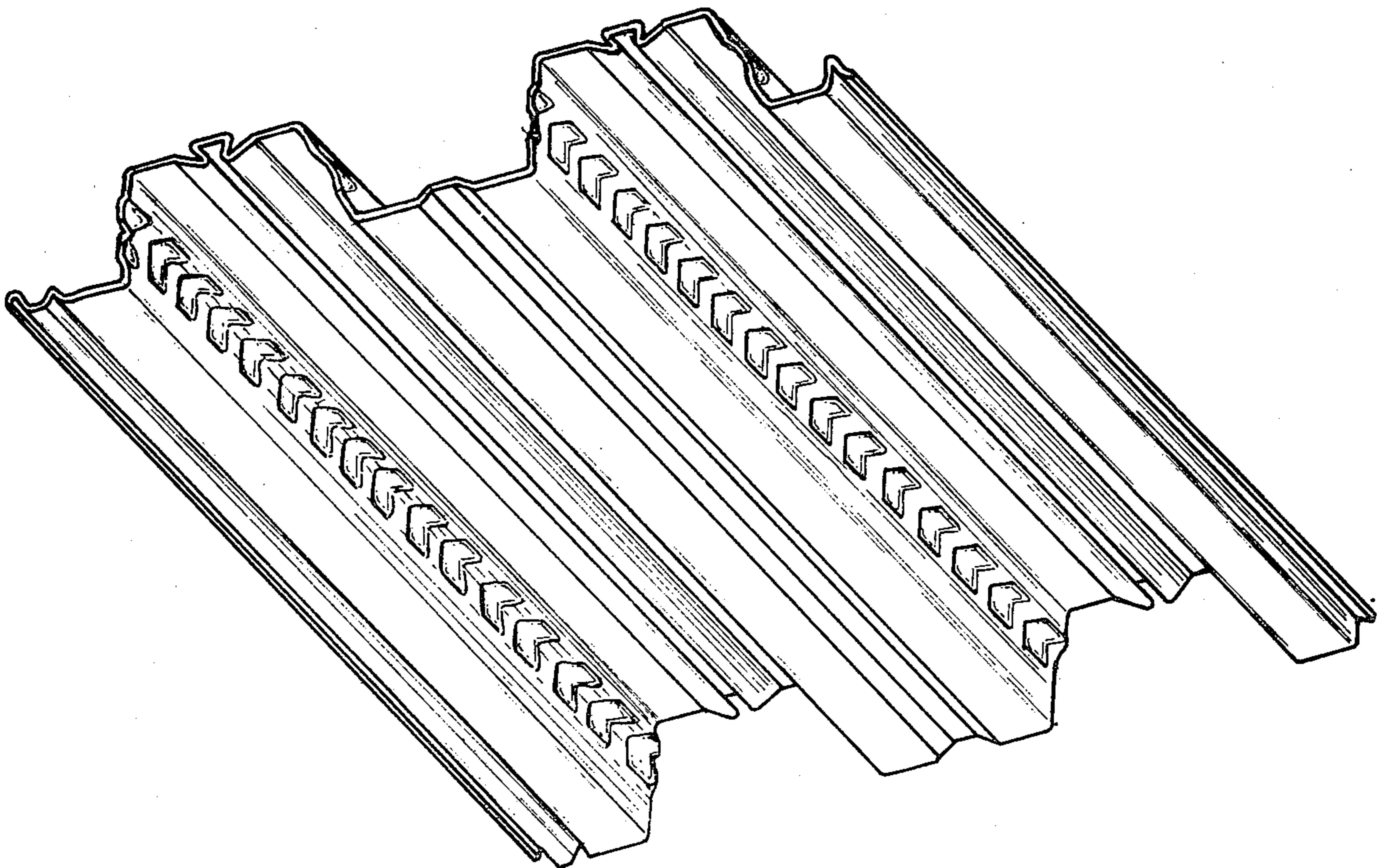


Fig. 2