

[54] LADDER-MOUNTED UTILITY SHELF

2,930,442 3/1960 Carter 182/120

[76] Inventor: Raymond E. Rasler, E. College Ave.,
R.R. #2, Greenville, Ill. 62246

FOREIGN PATENT DOCUMENTS

2046825 11/1980 United Kingdom 248/238

[**] Term: 14 Years

Primary Examiner—A. Hugo Word
Attorney, Agent, or Firm—Jerome A. Gross

[21] Appl. No.: 387,805

[57] CLAIM

[22] Filed: Jun. 14, 1982

The ornamental design for a ladder-mounted utility shelf, as shown and described.

[52] U.S. Cl. D25/68

[58] Field of Search 248/238; 182/129, 214,
182/120; D25/62, 68, 69

DESCRIPTION

[56] References Cited

U.S. PATENT DOCUMENTS

D. 248,777 8/1978 Spencer et al. D25/68
2,585,150 2/1952 McGill 248/238 X

FIG. 1 is a perspective view, partly from above, of a ladder-mounted utility shelf embodying my new design. FIG. 2 is a perspective view of the reverse side thereof. FIG. 3 is a side view as seen from the right of FIG. 1.

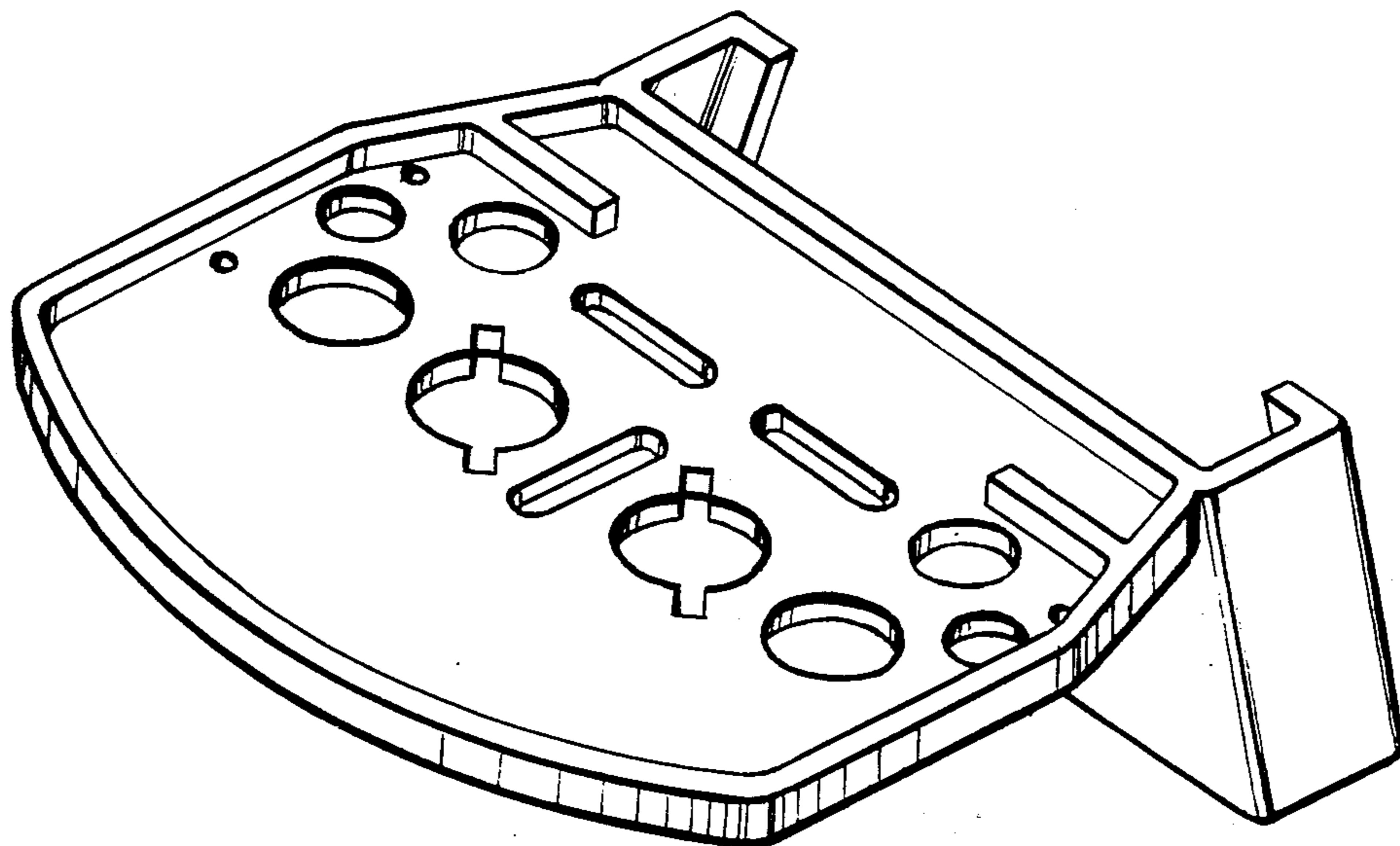


FIG. 1

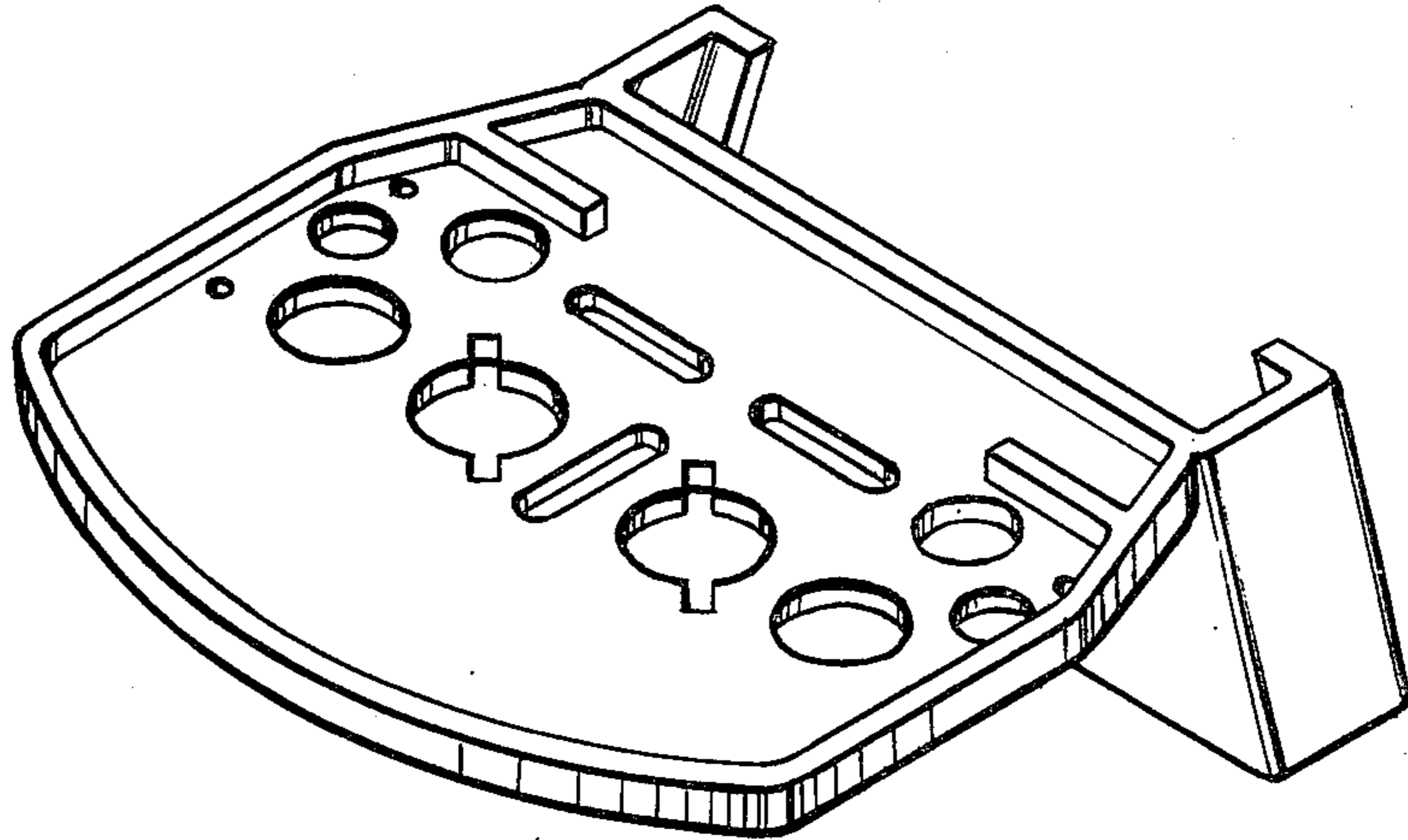


FIG. 2

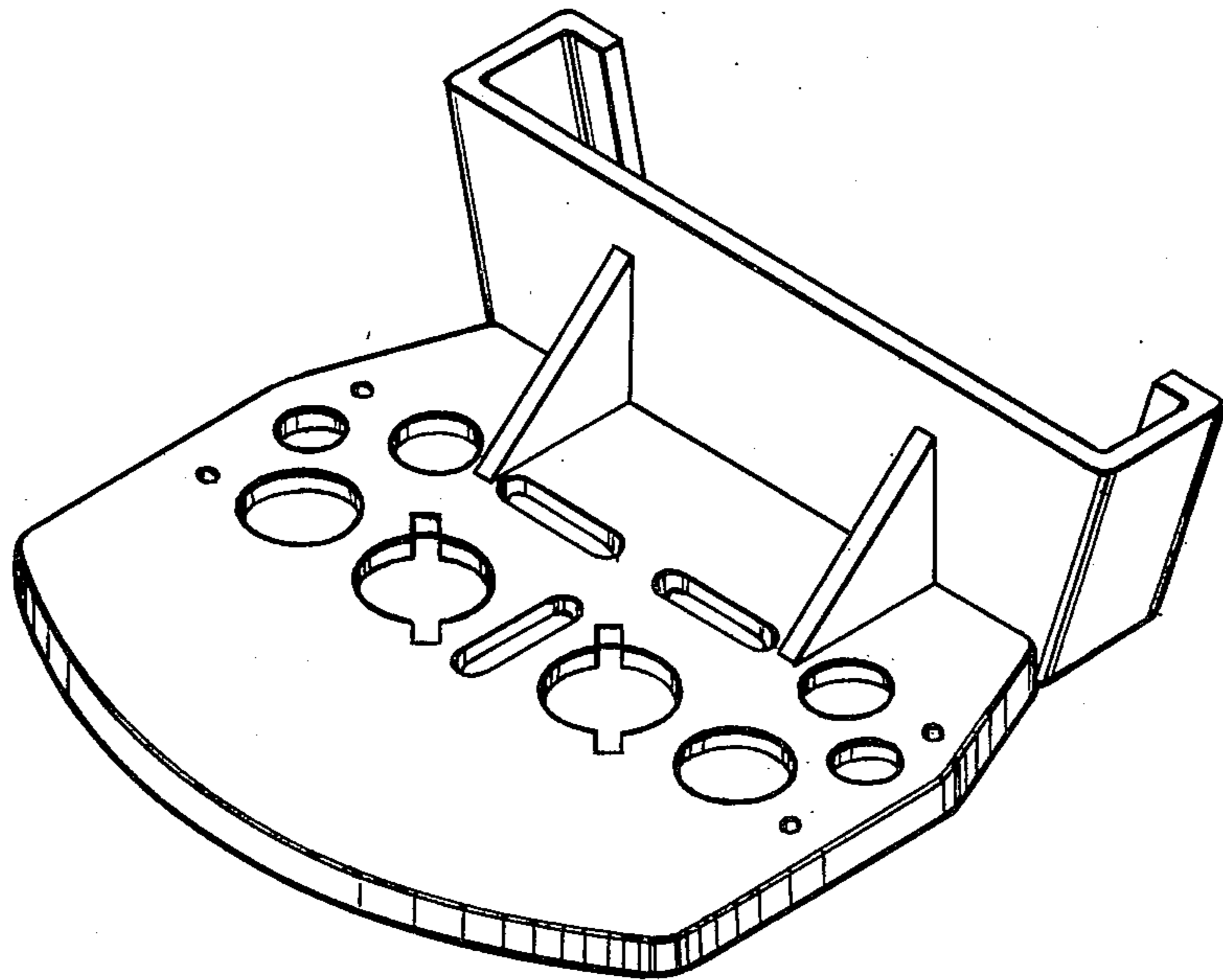


FIG. 3

