

[54] **BABY SOOTHER**

[75] Inventor: **Ronald K. Moore, Kempsey, England**

[73] Assignee: **Lewis Woolf Griptight Limited, Birmingham, England**

[**] Term: **14 Years**

[21] Appl. No.: **302,461**

[22] Filed: **Sep. 15, 1981**

[30] **Foreign Application Priority Data**

Jun. 25, 1981 [GB] United Kingdom 1001183

[52] U.S. Cl. **D24/46; D24/45**

[58] Field of Search **D24/45, 46; 128/360, 128/359**

[56] **References Cited**

U.S. PATENT DOCUMENTS

D. 237,222	10/1975	Moore	D24/46
D. 237,554	11/1975	Hurst	D24/46
D. 255,268	6/1980	Bernstein	D24/45 X
3,964,489	6/1976	Kesselring	128/360
4,143,452	3/1979	Hakim	128/360

FOREIGN PATENT DOCUMENTS

530266 7/1954 Belgium 128/360

OTHER PUBLICATIONS

Rocky Mountain (American Journal of Orthodontics), vol. 47, No. 8, Aug. 1961, (folded insert, both sides after p. 22, advertising section).

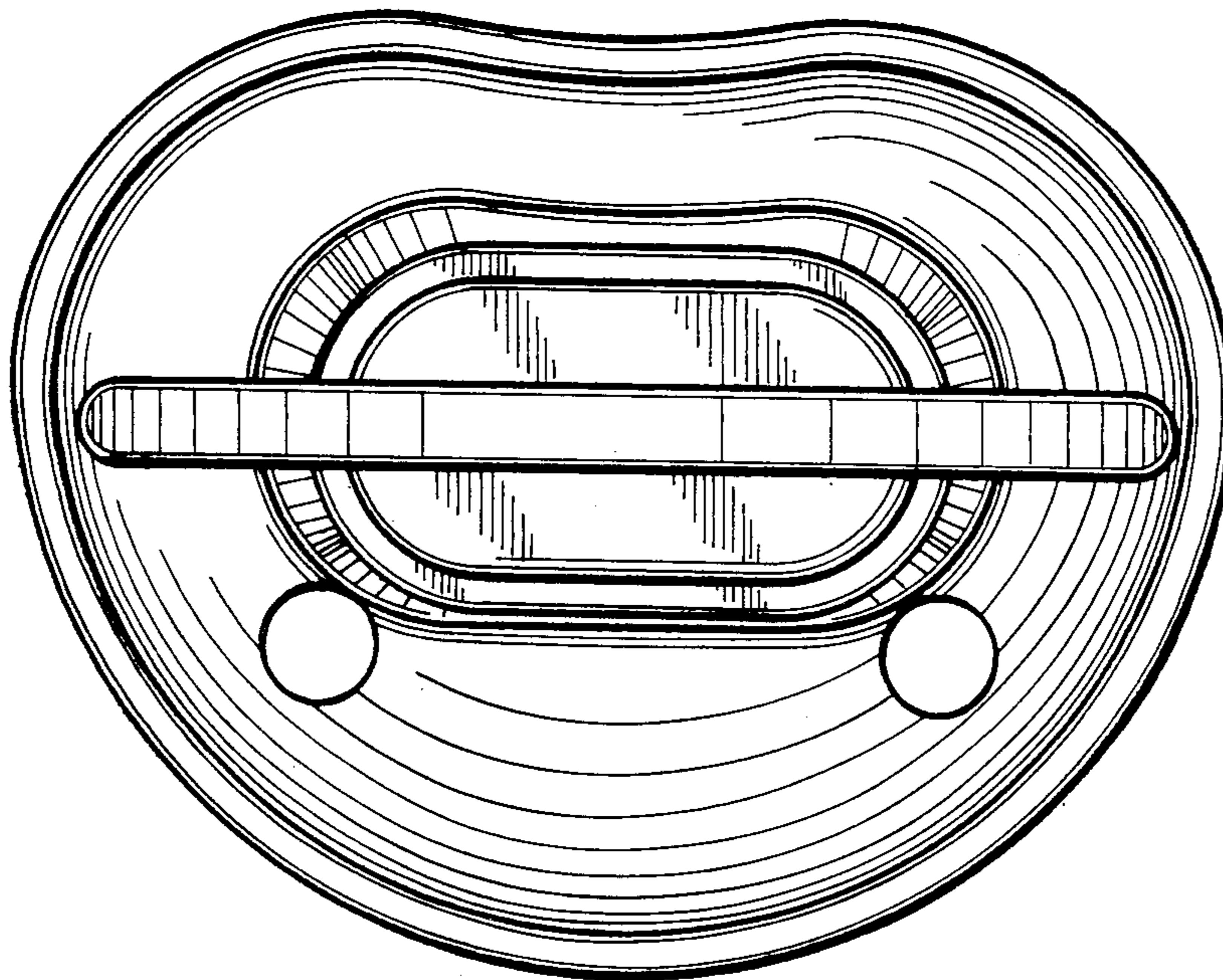
Primary Examiner—Bernard Ansher
Attorney, Agent, or Firm—Holman & Stern

[57] **CLAIM**

The ornamental design for a baby soother, as shown and described.

DESCRIPTION

FIG. 1 is a front view of the baby soother; showing my new design;
FIG. 2 is a rear view of the baby soother;
FIG. 3 is a top plan view of the baby soother;
FIG. 4 is a bottom plan view of the baby soother;
FIG. 5 is a view of one side of the baby soother; and
FIG. 6 is a part-sectional view taken on the line 6—6 of FIG. 3.



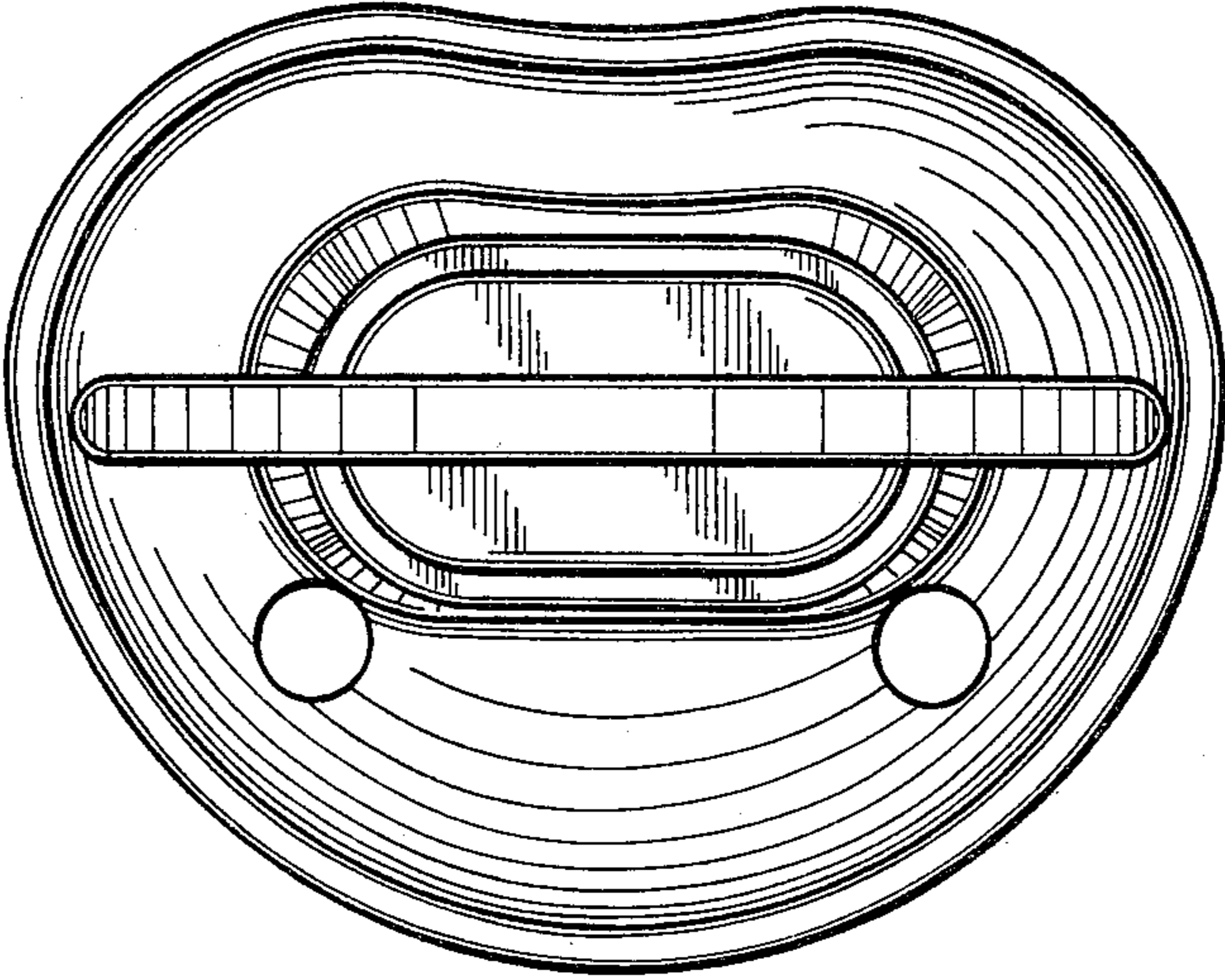


Fig. 1

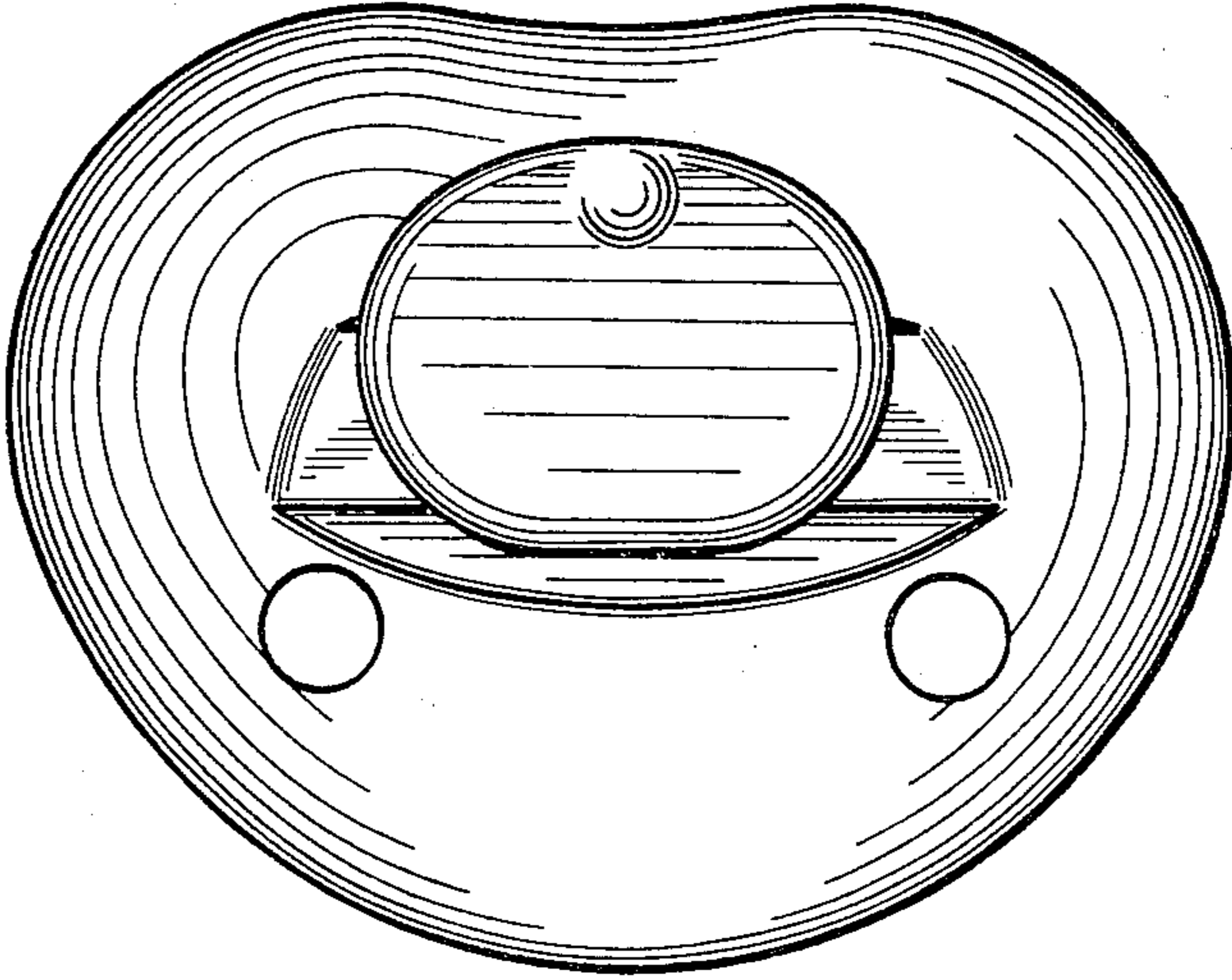


Fig. 2

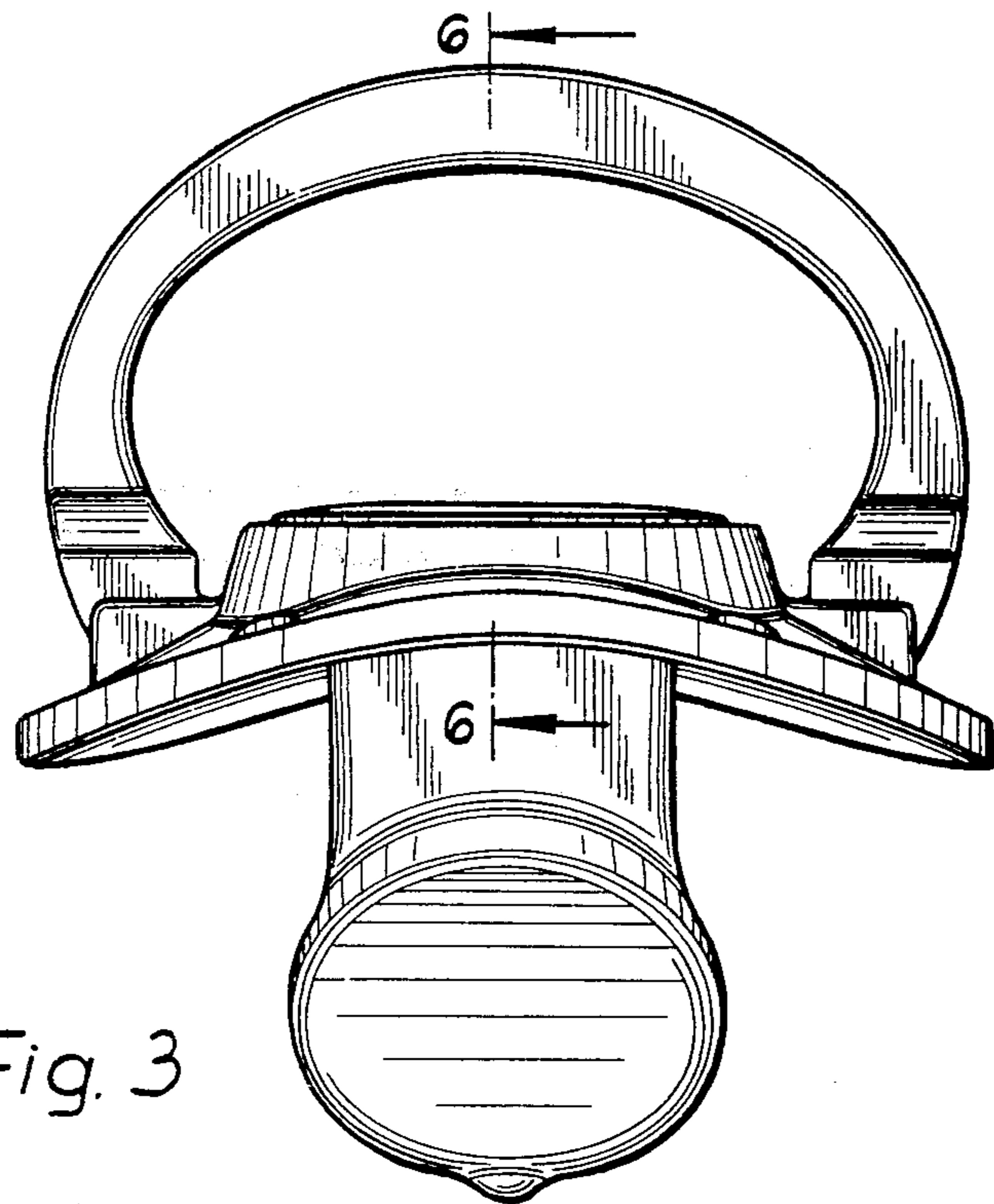


Fig. 3

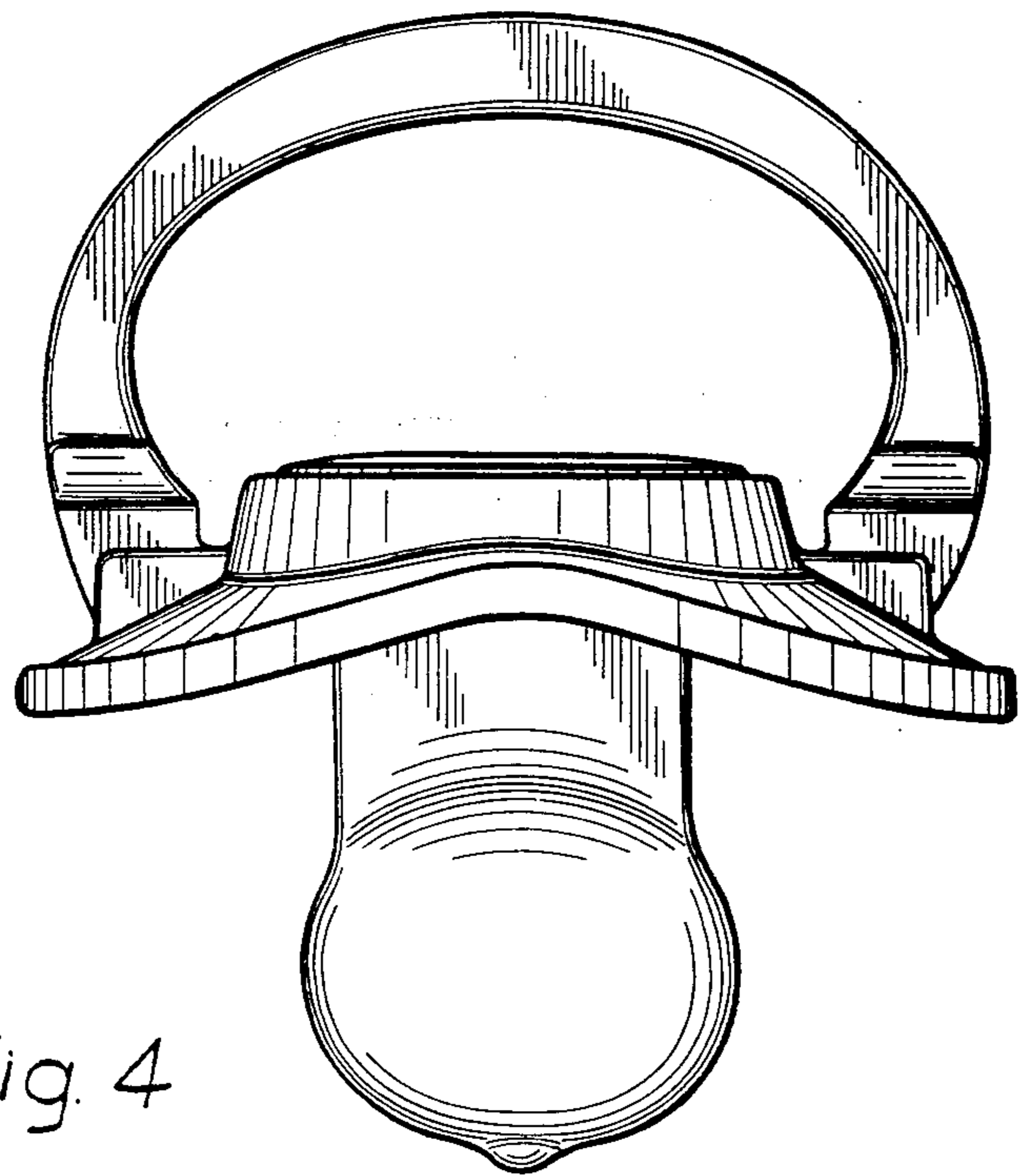


Fig. 4

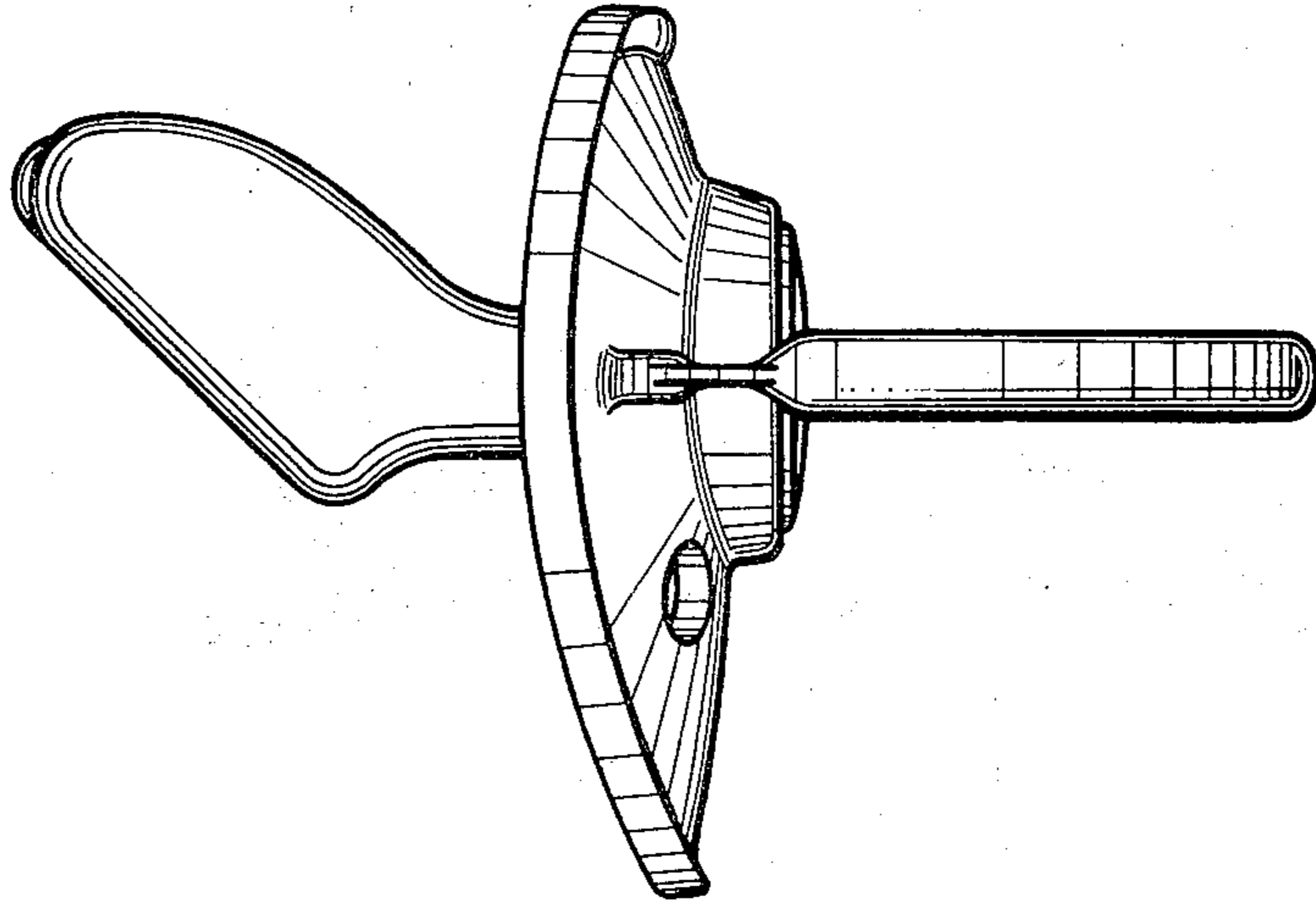


Fig. 5

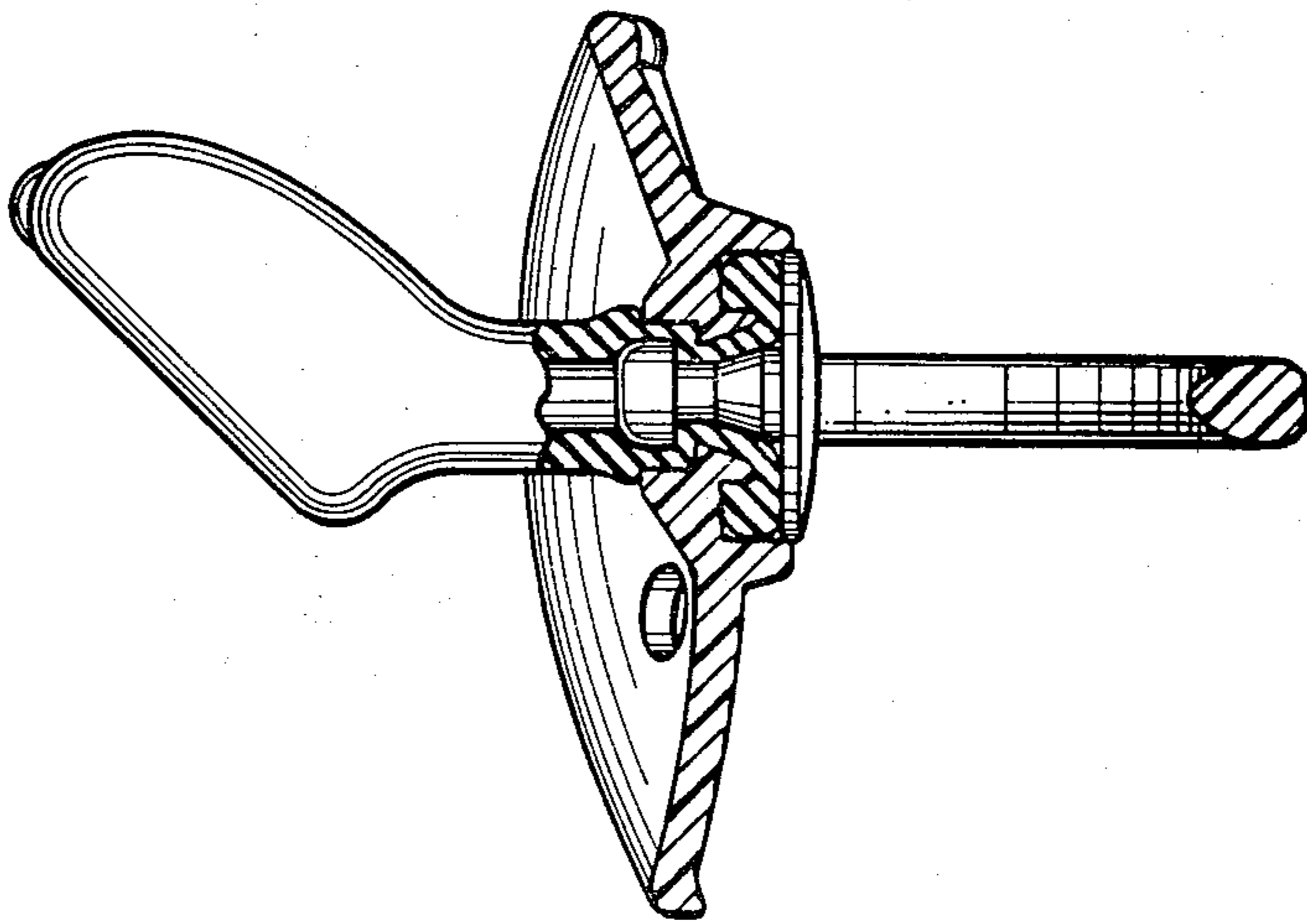


Fig. 6