

[54] DENTAL BURR TOOL HOLDER

[76] Inventor: Thomas J. Schulstad, 1450 Olympic View Dr., Edmonds, Wash. 98020

[\*\*] Term: 14 Years

[21] Appl. No.: 338,232

[22] Filed: Jan. 11, 1982

[52] U.S. Cl. .... D24/16; D6/125

[58] Field of Search ..... 433/77; 211/69, 70; D24/56, 16; D6/125; 206/350, 379, 369

[56] References Cited

U.S. PATENT DOCUMENTS

D. 223,259	4/1972	Stahl	.....	D6/125 X
D. 242,545	11/1976	Perfect	.....	D24/31
3,092,443	6/1963	Dietz	.....	433/77
3,102,637	9/1963	Scholl, Sr.	.....	D24/16
3,270,416	9/1966	Massa	.....	211/69 X
4,253,830	3/1981	Kazen et al.	.....	433/77
4,256,457	3/1981	Behring	.....	433/77
4,286,948	9/1981	Pietschmann	.....	433/77

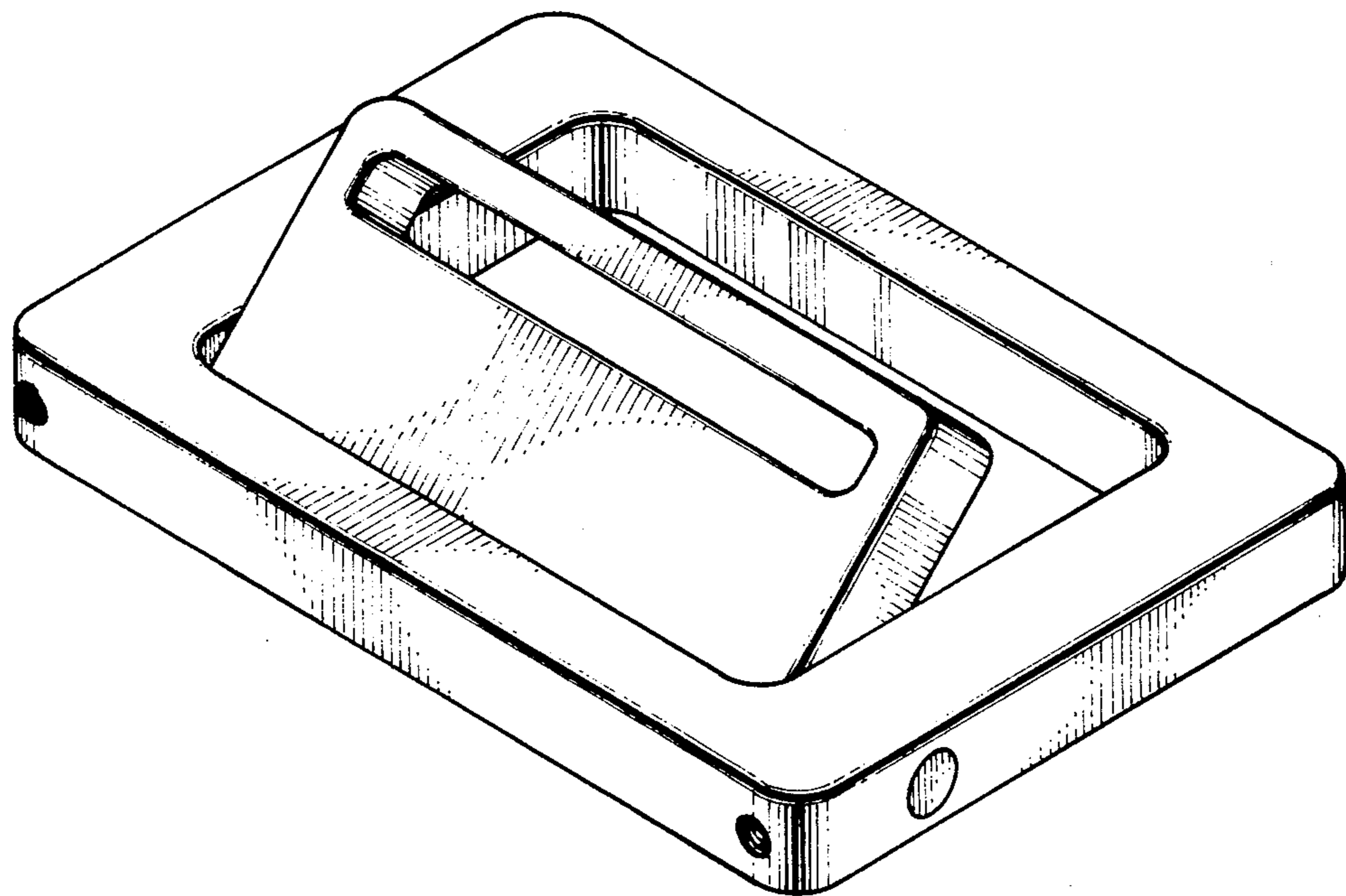
Primary Examiner—Bernard Ansher  
Attorney, Agent, or Firm—Graybeal & Cullom

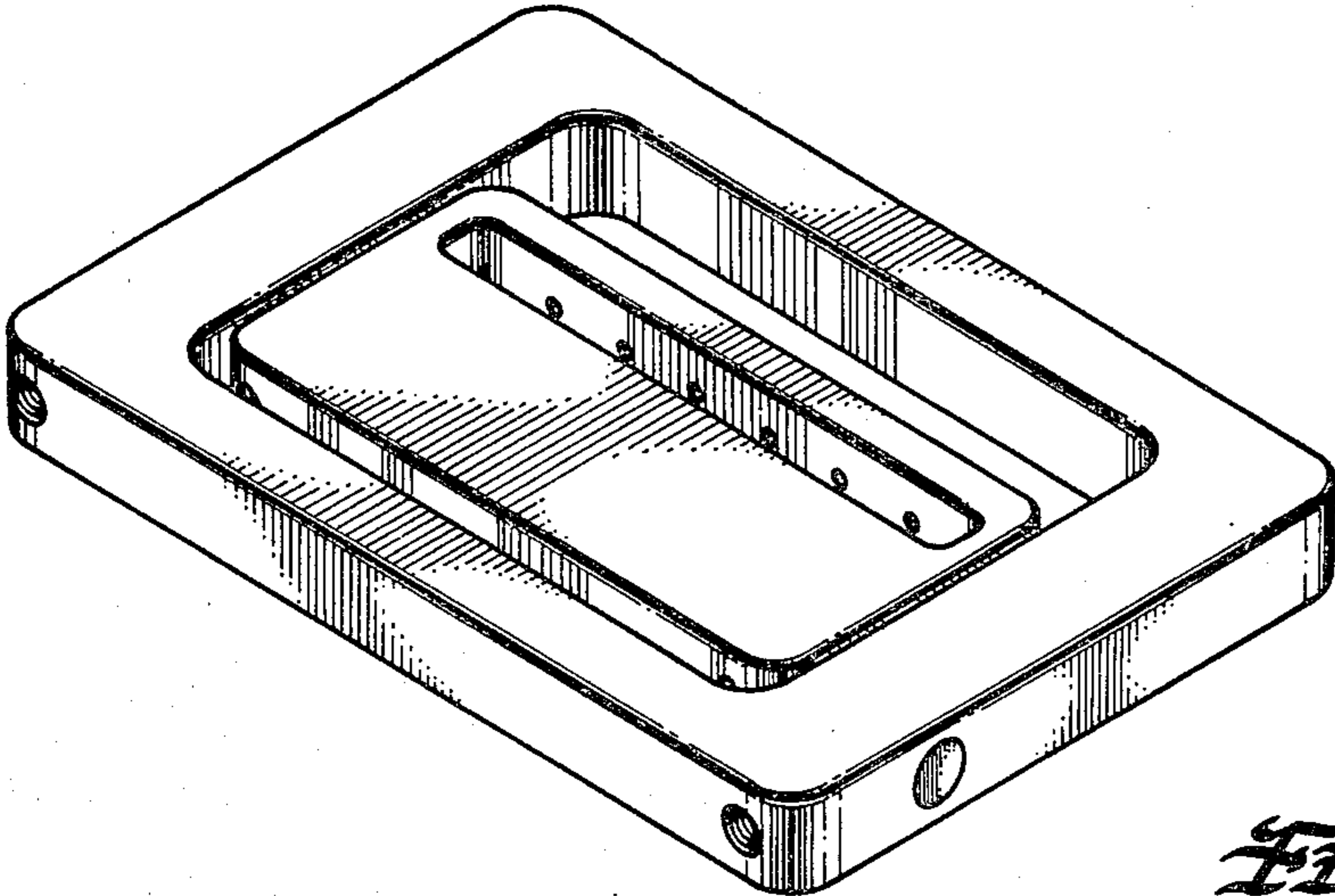
[57] CLAIM

The ornamental design for a dental burr tool holder, substantially as shown and described.

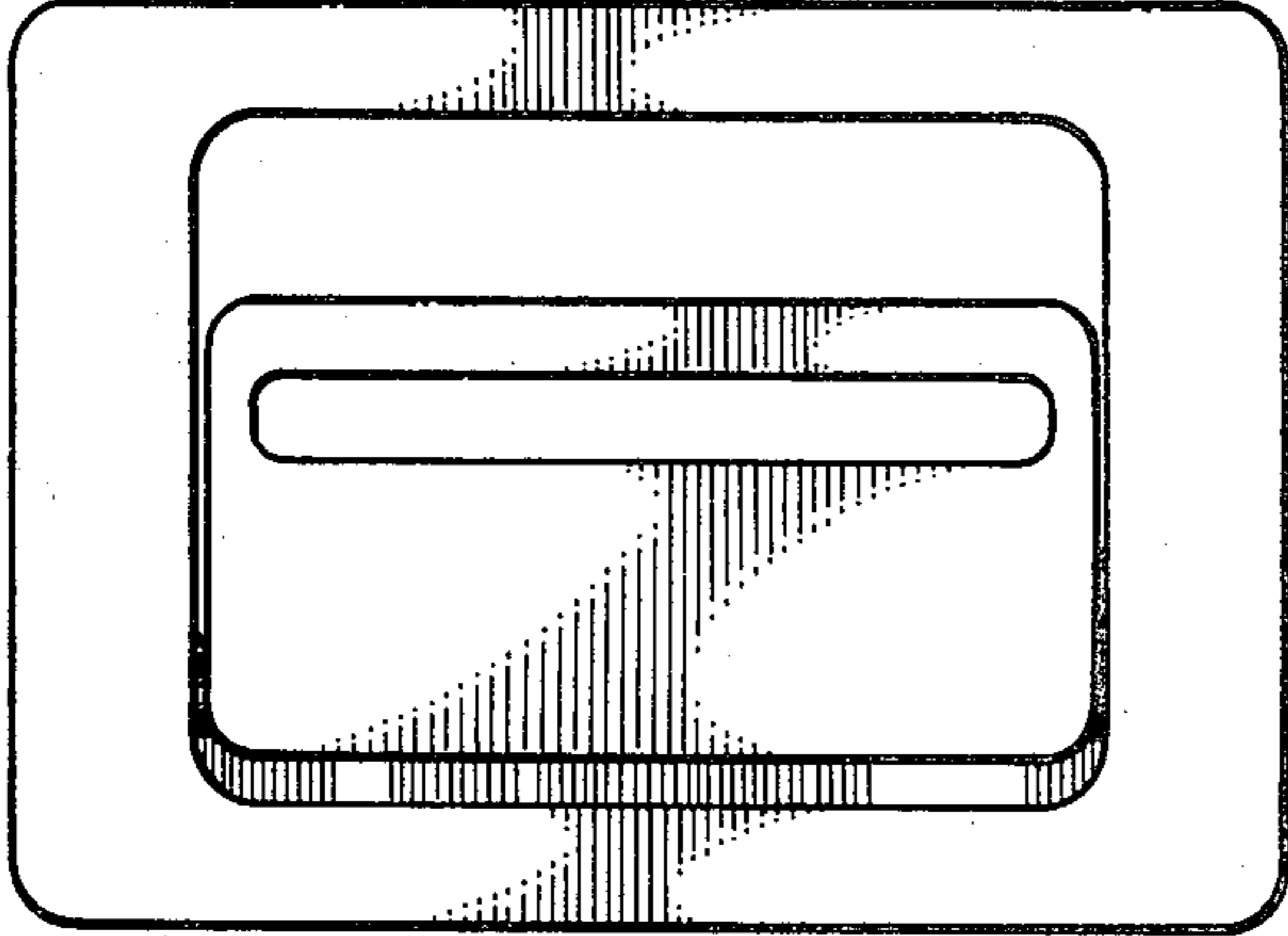
DESCRIPTION

FIG. 1 is a top isometric view of a dental burr tool holder showing my new design; FIG. 2 is a top plan view thereof; FIG. 3 is a front elevational view thereof; FIG. 4 is a rear elevational view thereof; FIG. 5 is an end elevational view thereof; FIG. 6 is a bottom plan view thereof; FIG. 7 is a top isometric view of the tool holder with the block member in an open position; FIG. 8 is a top plan view thereof; FIG. 9 is a bottom plan view thereof; FIG. 10 is a rear elevational view thereof; FIG. 11 is a front elevational view thereof; FIG. 12 is an end elevational view thereof; FIG. 13 is a top isometric view of a second modified embodiment of the tool holder illustrated in FIG. 1; FIG. 14 is a top plan view thereof; FIG. 15 is a front elevational view thereof; FIG. 16 is a rear elevational view thereof; FIG. 17 is a bottom plan view thereof; FIG. 18 is an end elevational view thereof; FIG. 19 is a top isometric view of a third modified embodiment of the tool holder illustrated in FIG. 1; FIG. 20 is a top plan view thereof; FIG. 21 is a bottom plan view thereof; FIG. 22 is a front elevational view thereof; FIG. 23 is a rear elevational view thereof; and FIG. 24 is an end elevational view thereof. The end elevational view of the ends opposite to the ends shown in respective FIGS. 5, 12, 18 and 24 are the mirror images of the respective end elevational views shown.





*Fig. 1.*



*Fig. 2.*



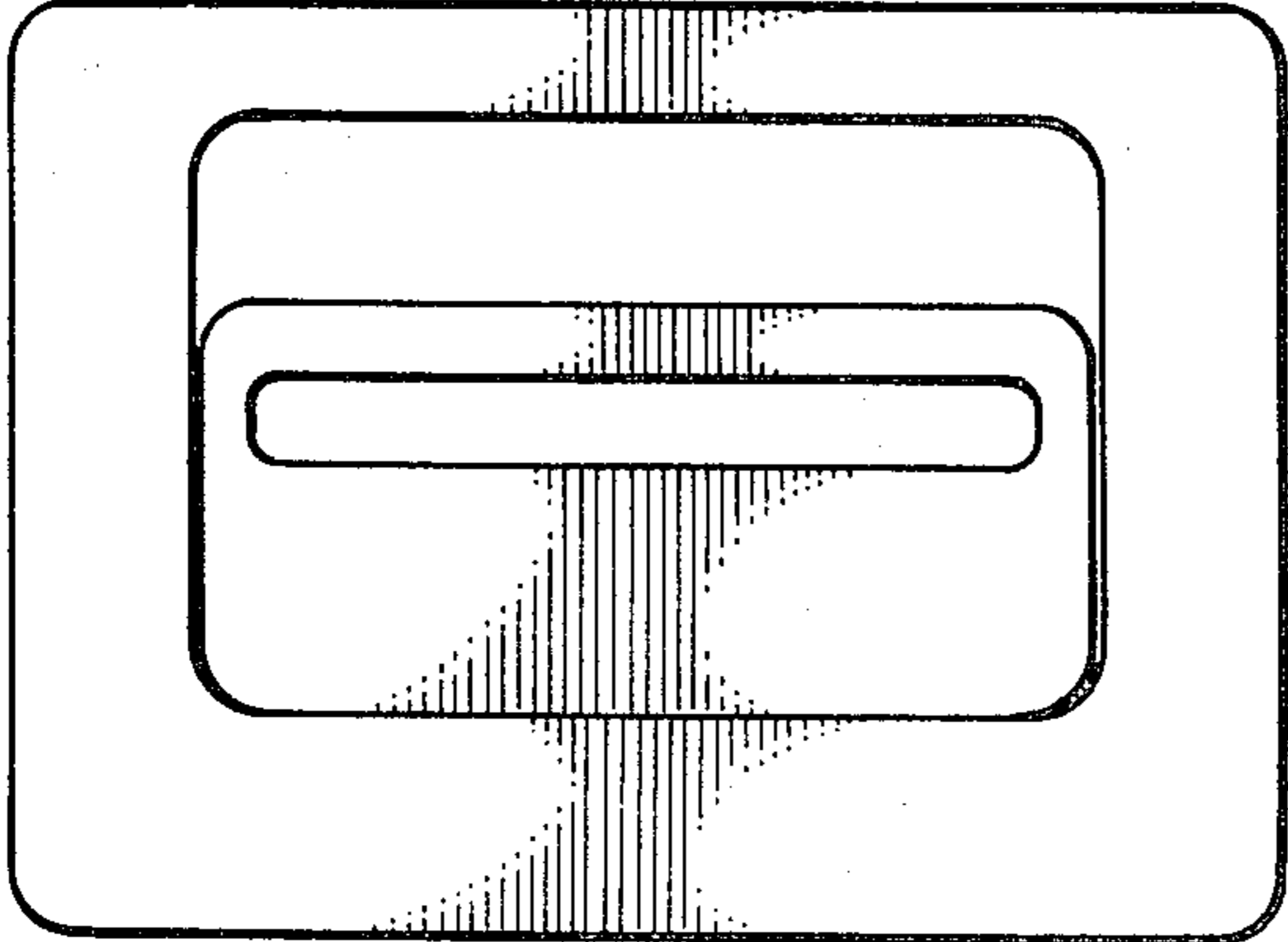
*Fig. 5.*



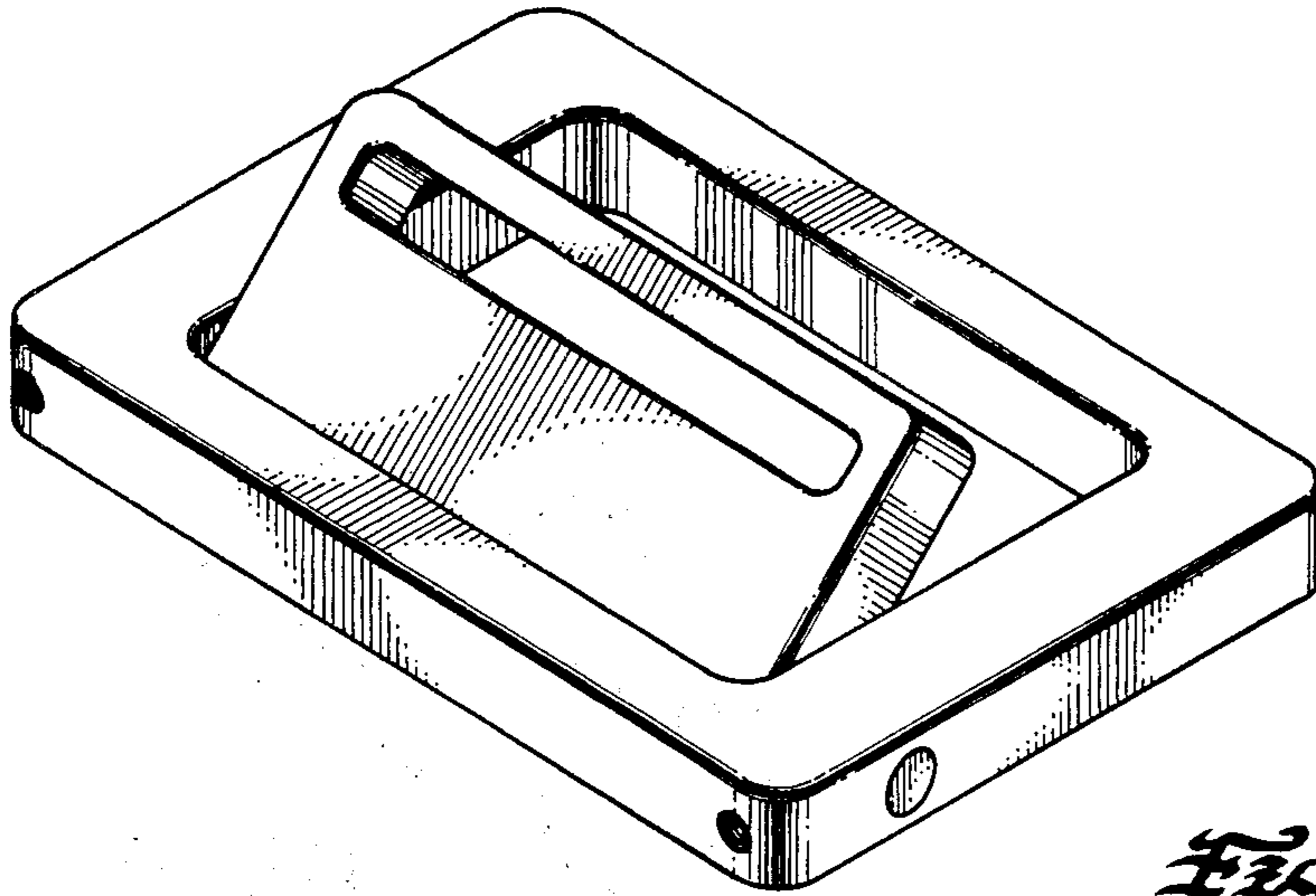
*Fig. 3.*



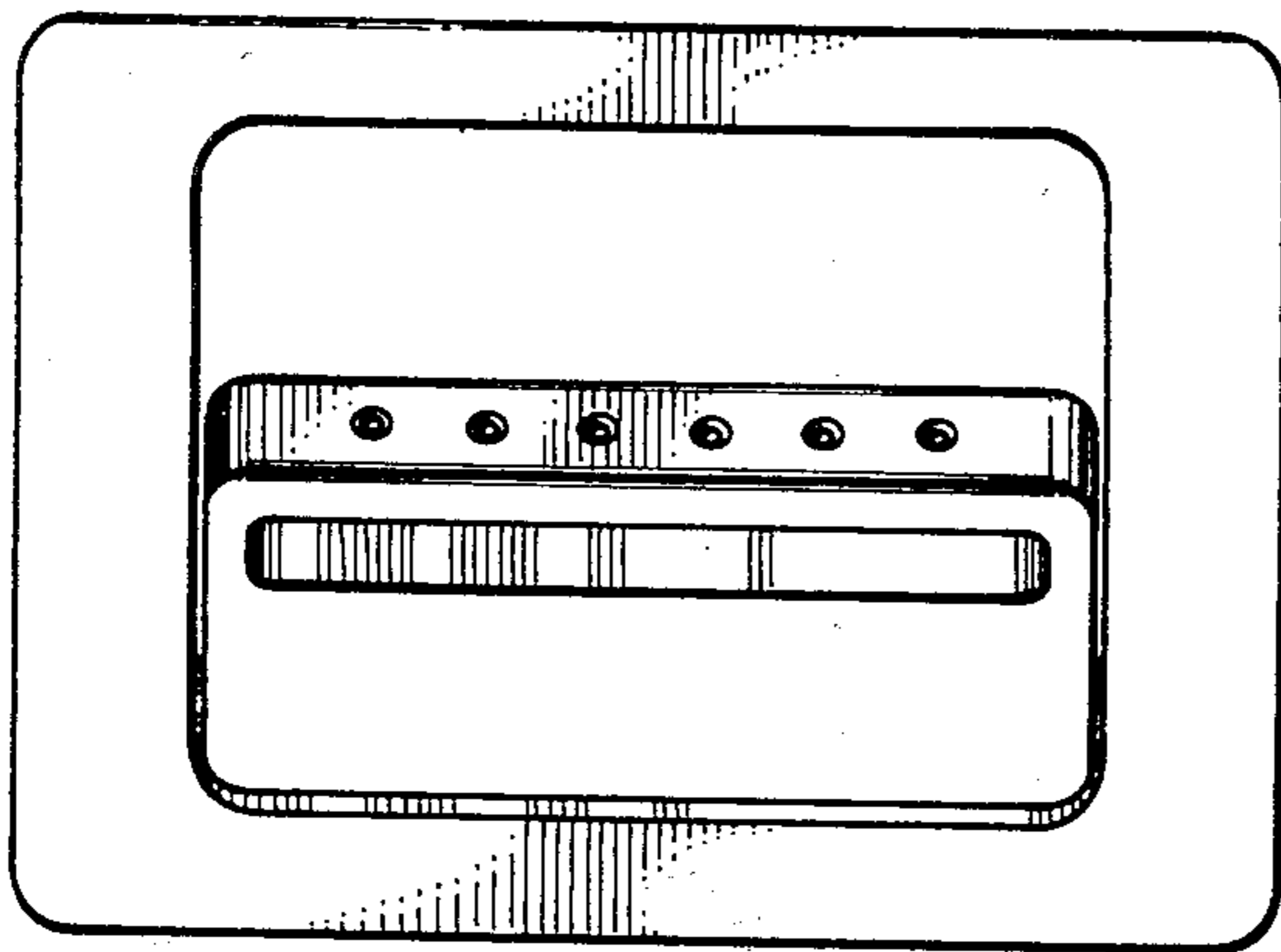
*Fig. 4.*



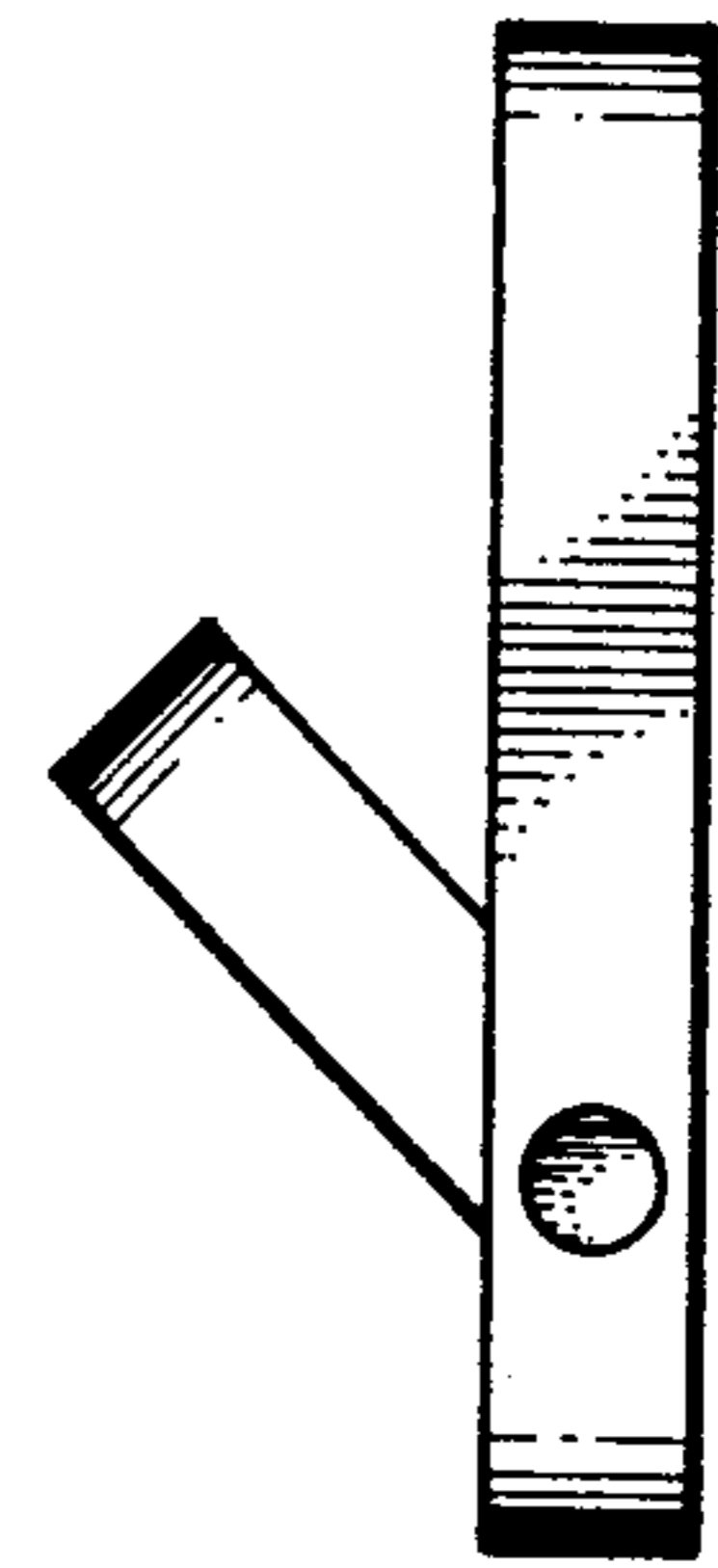
*Fig. 6.*



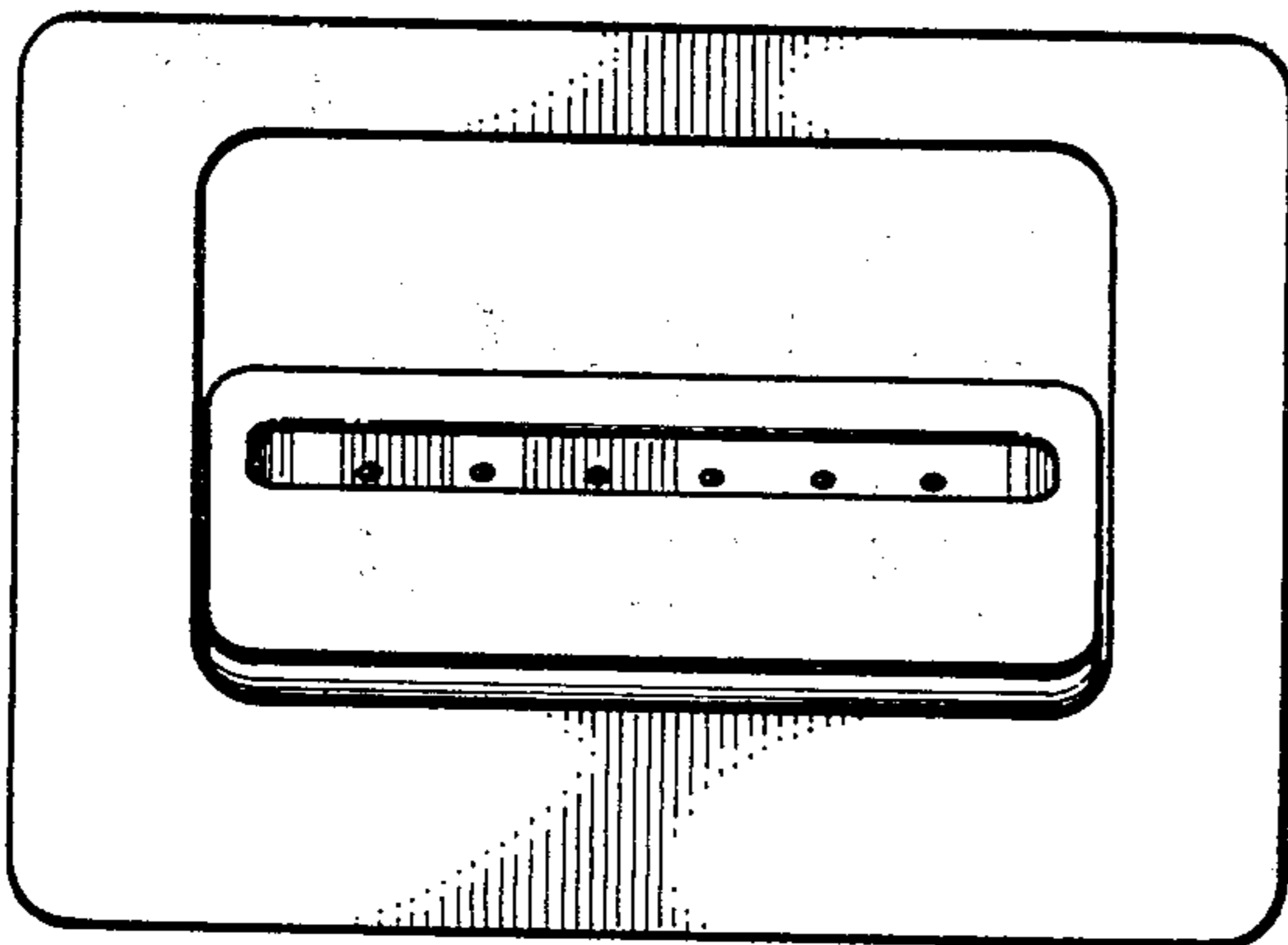
*Fig. 7.*



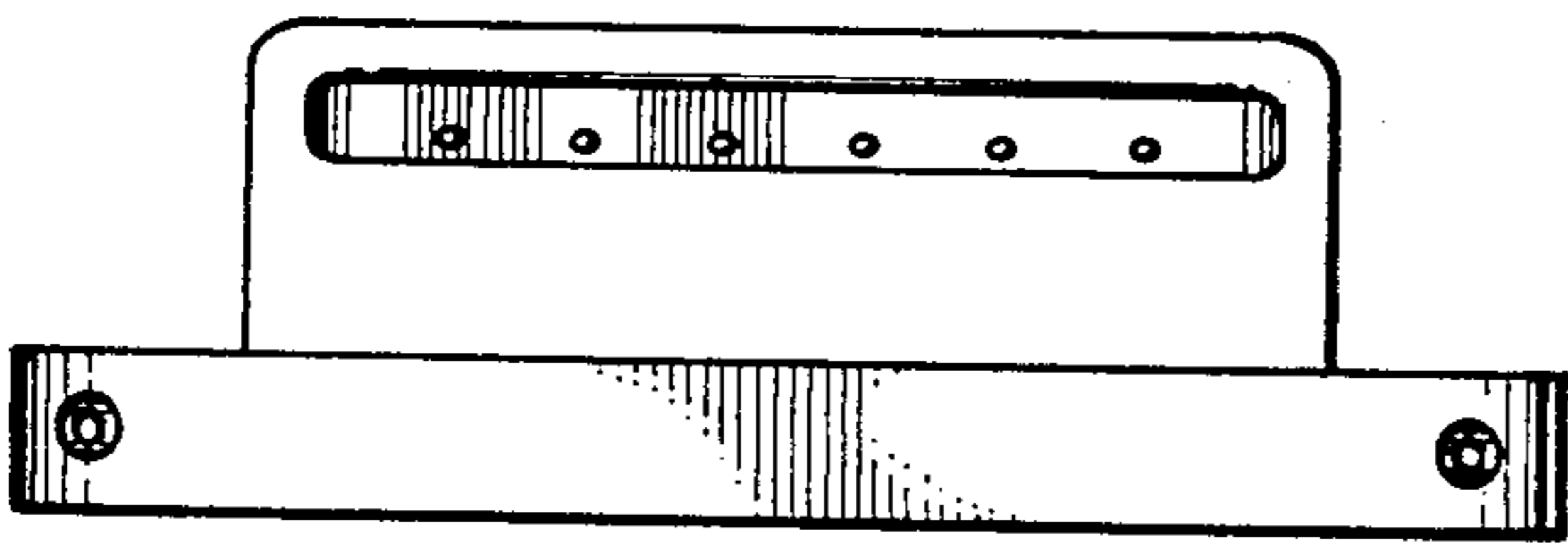
*Fig. 8.*



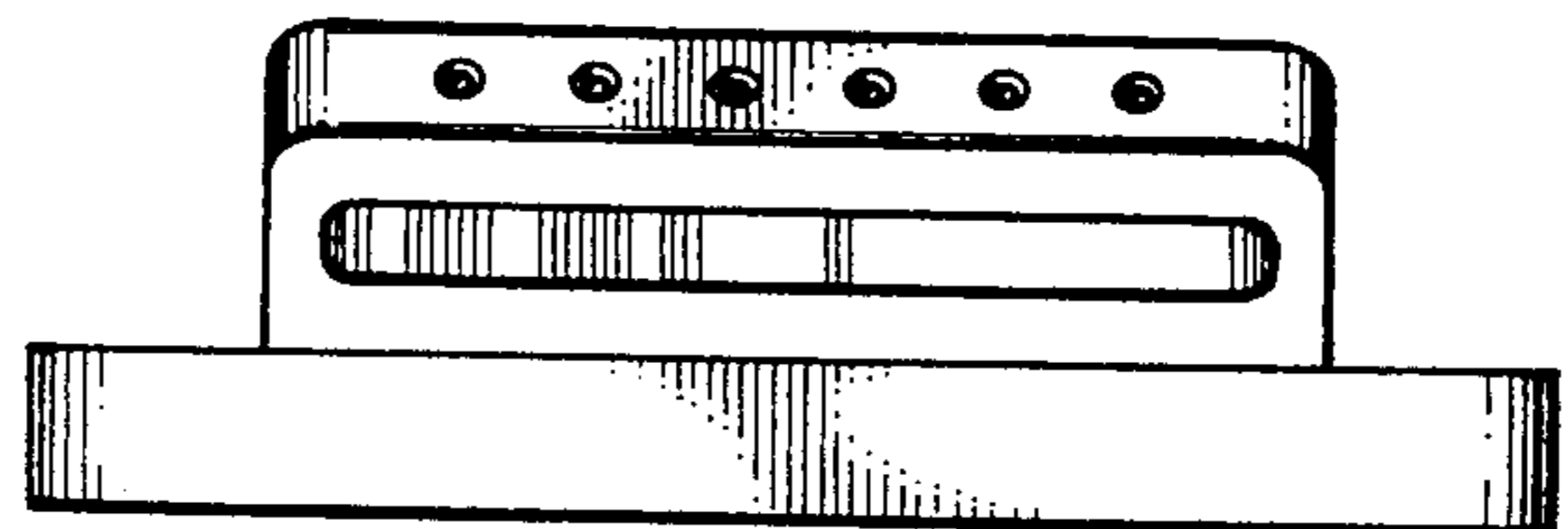
*Fig. 12.*



*Fig. 9.*

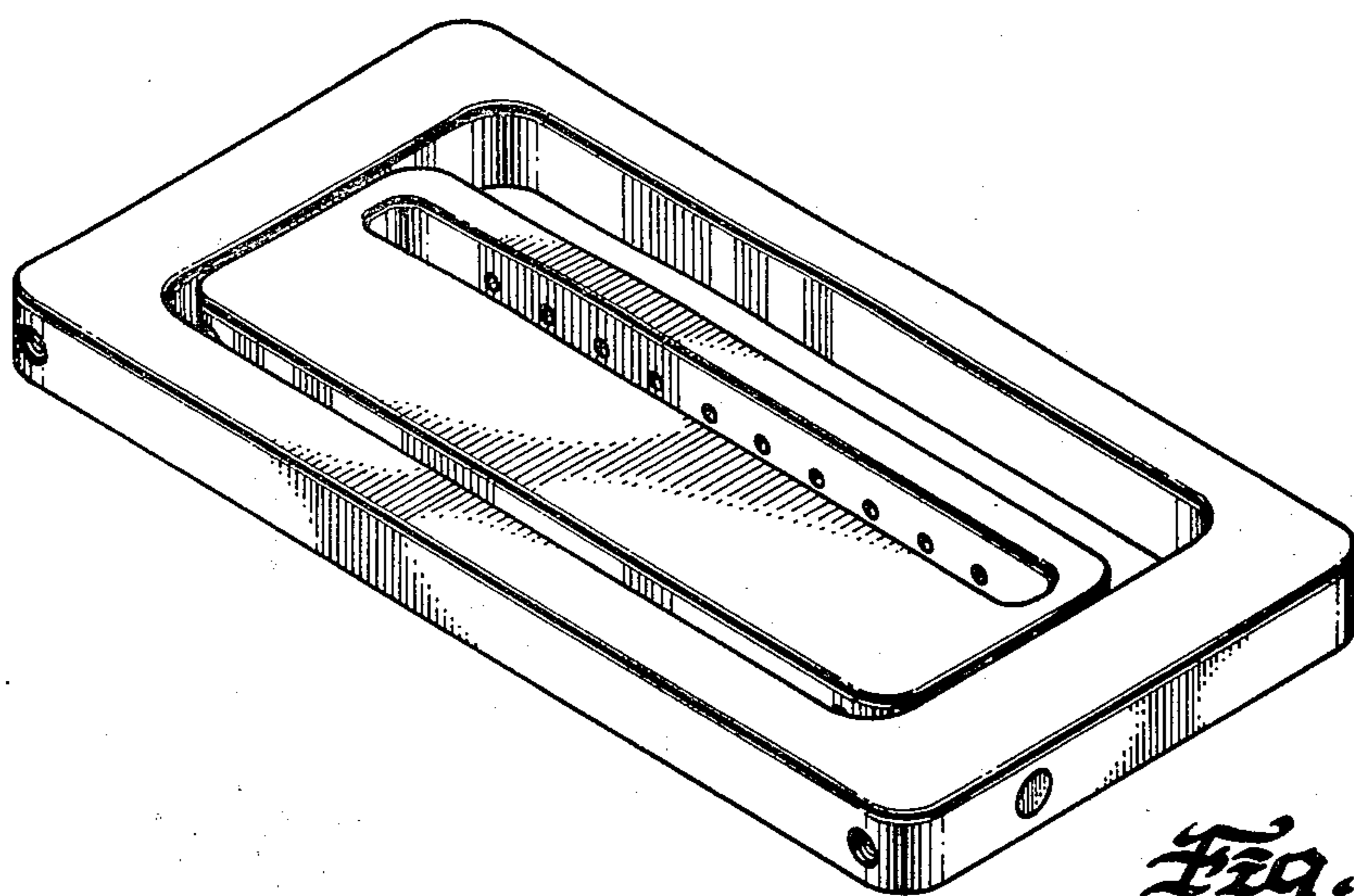


*Fig. 10.*

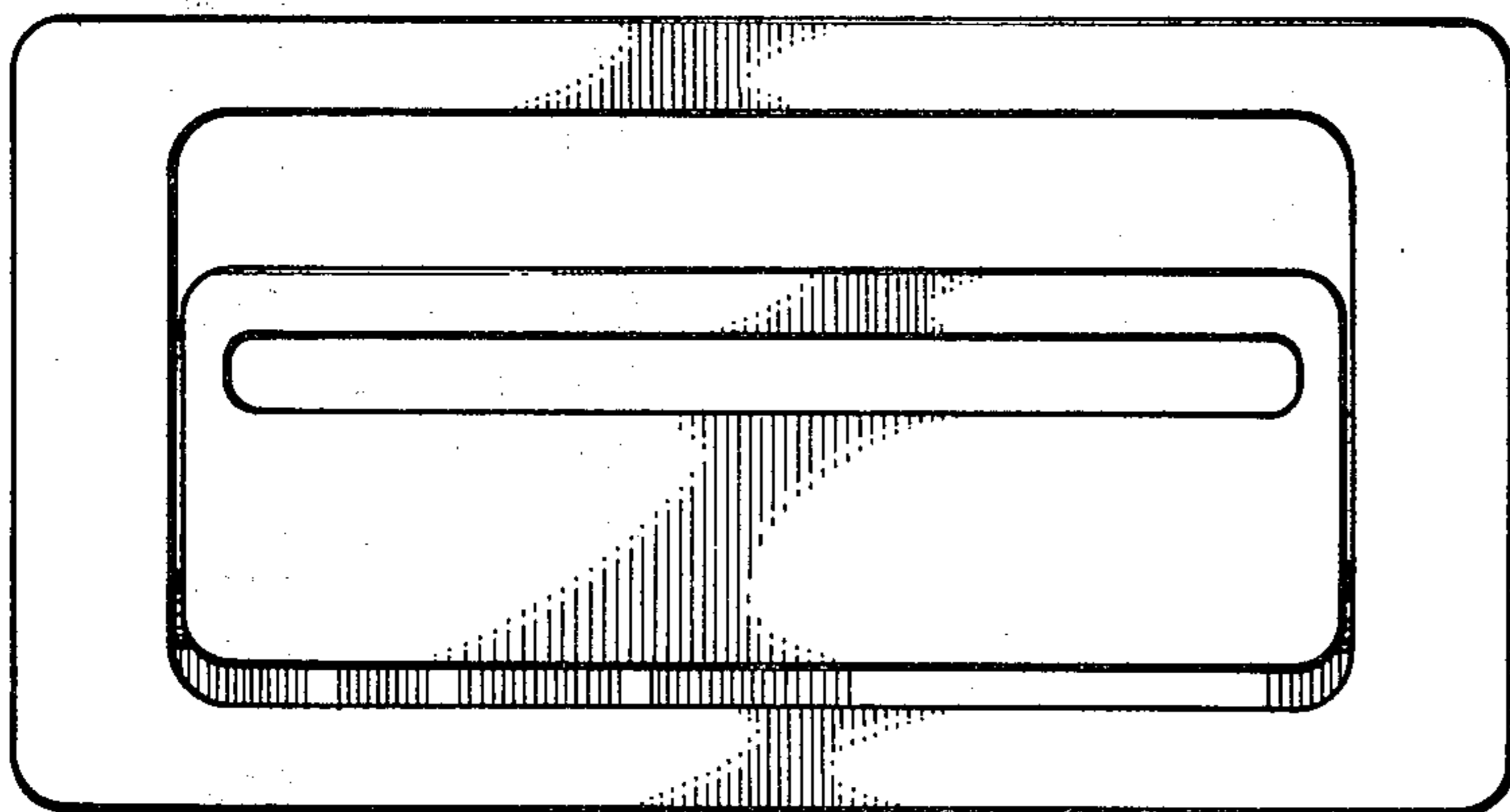


*Fig. 11.*





*Fig. 13.*



*Fig. 14.*



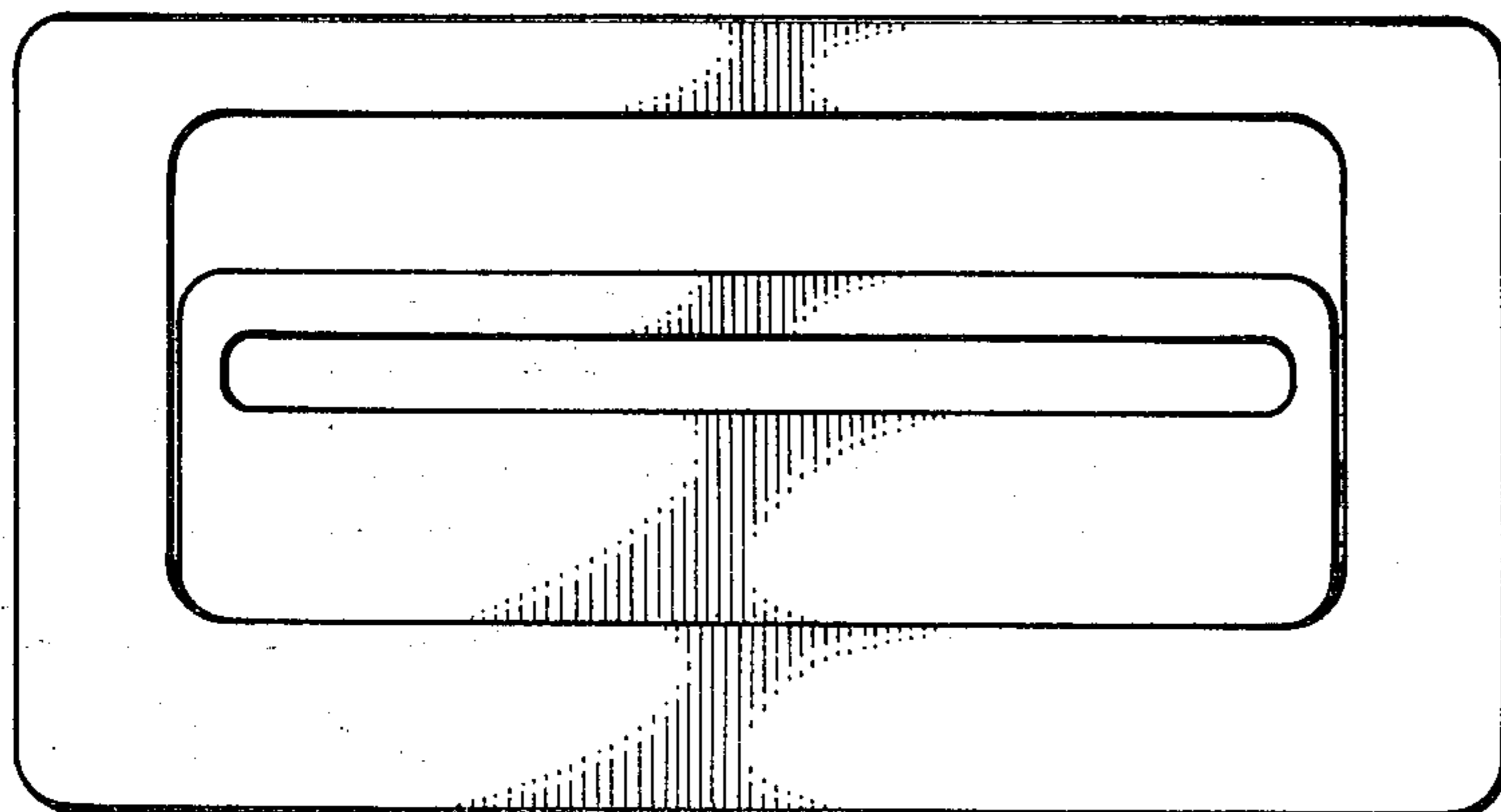
*Fig. 18.*



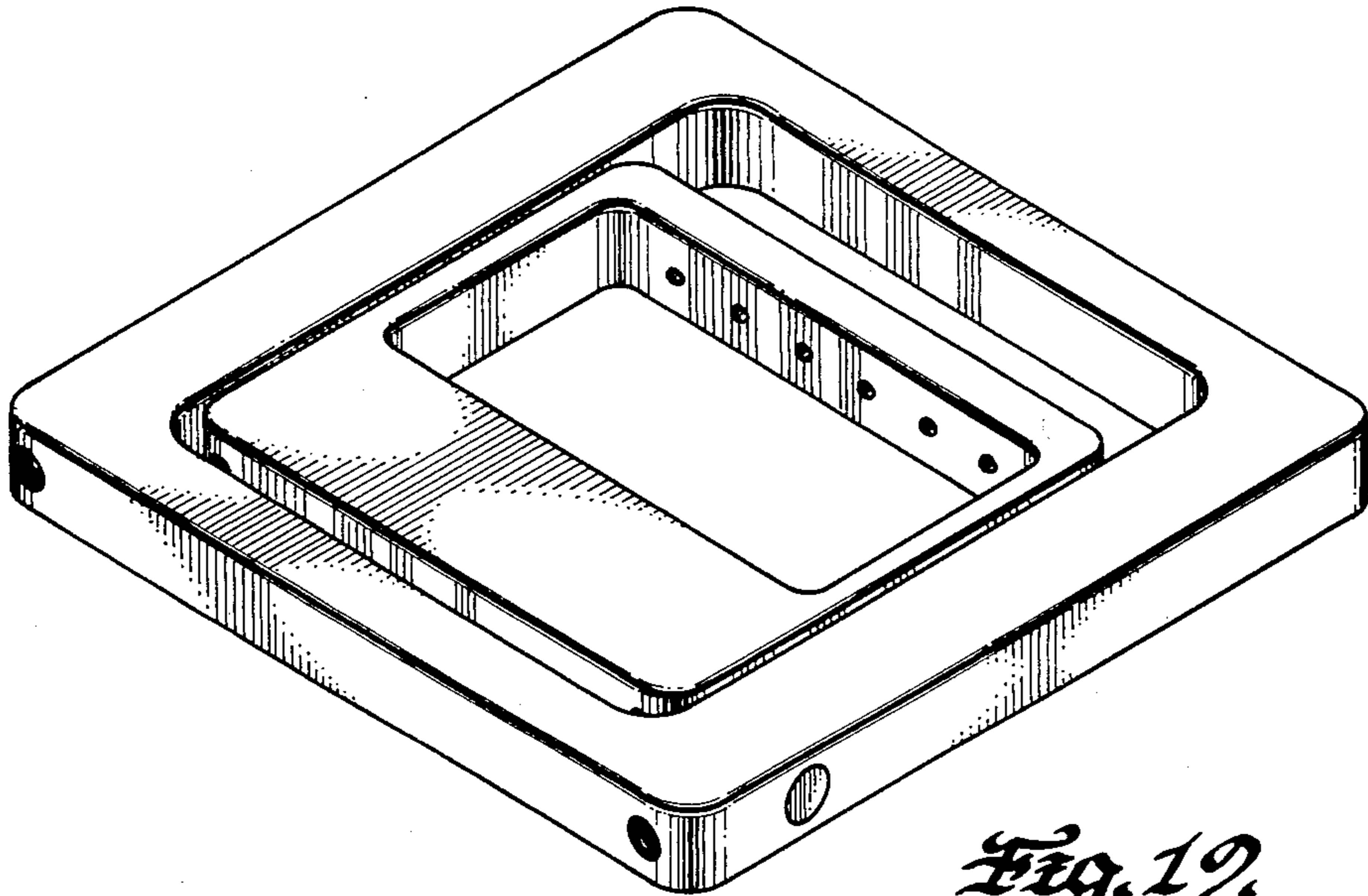
*Fig. 15.*



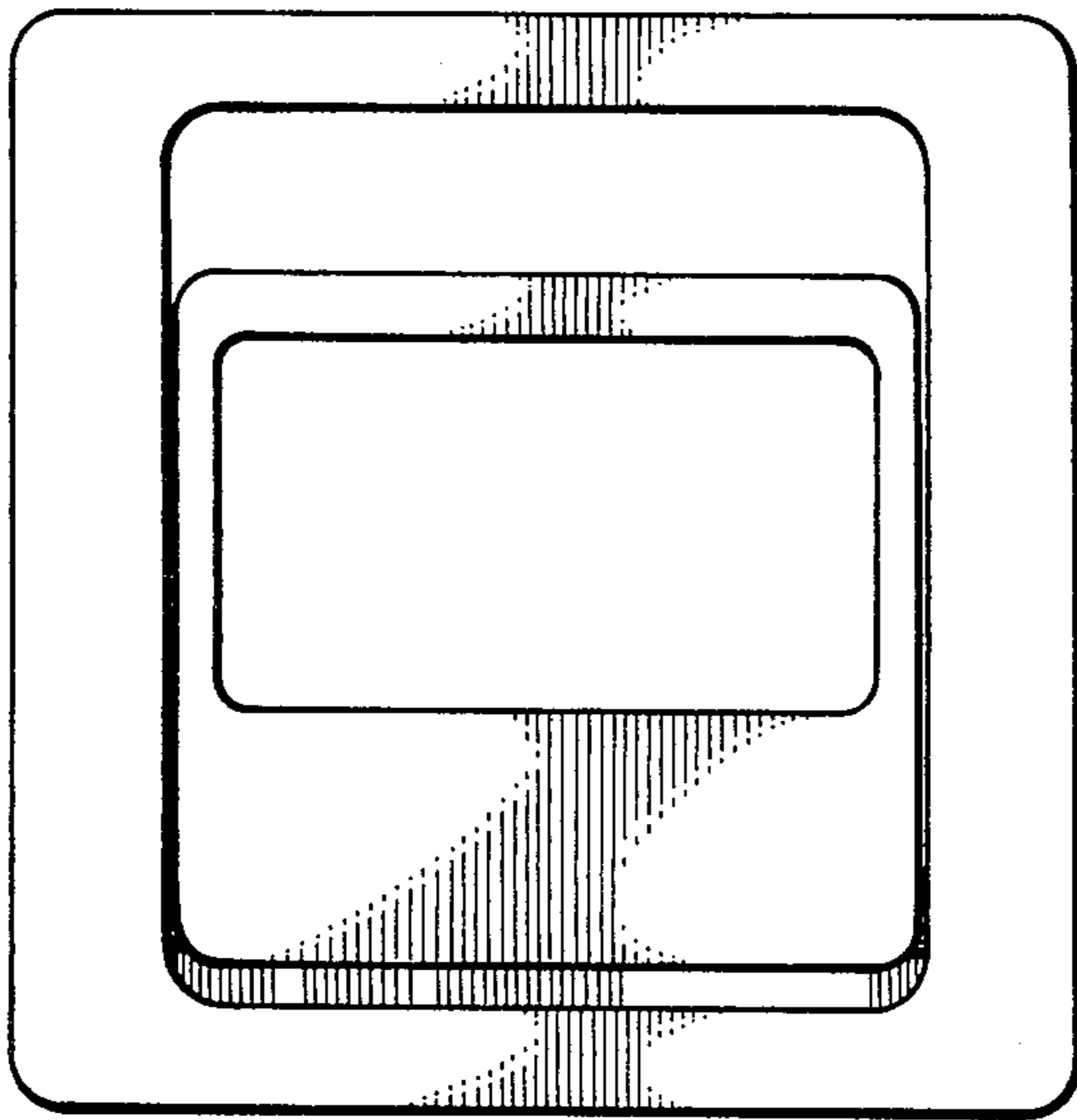
*Fig. 16.*



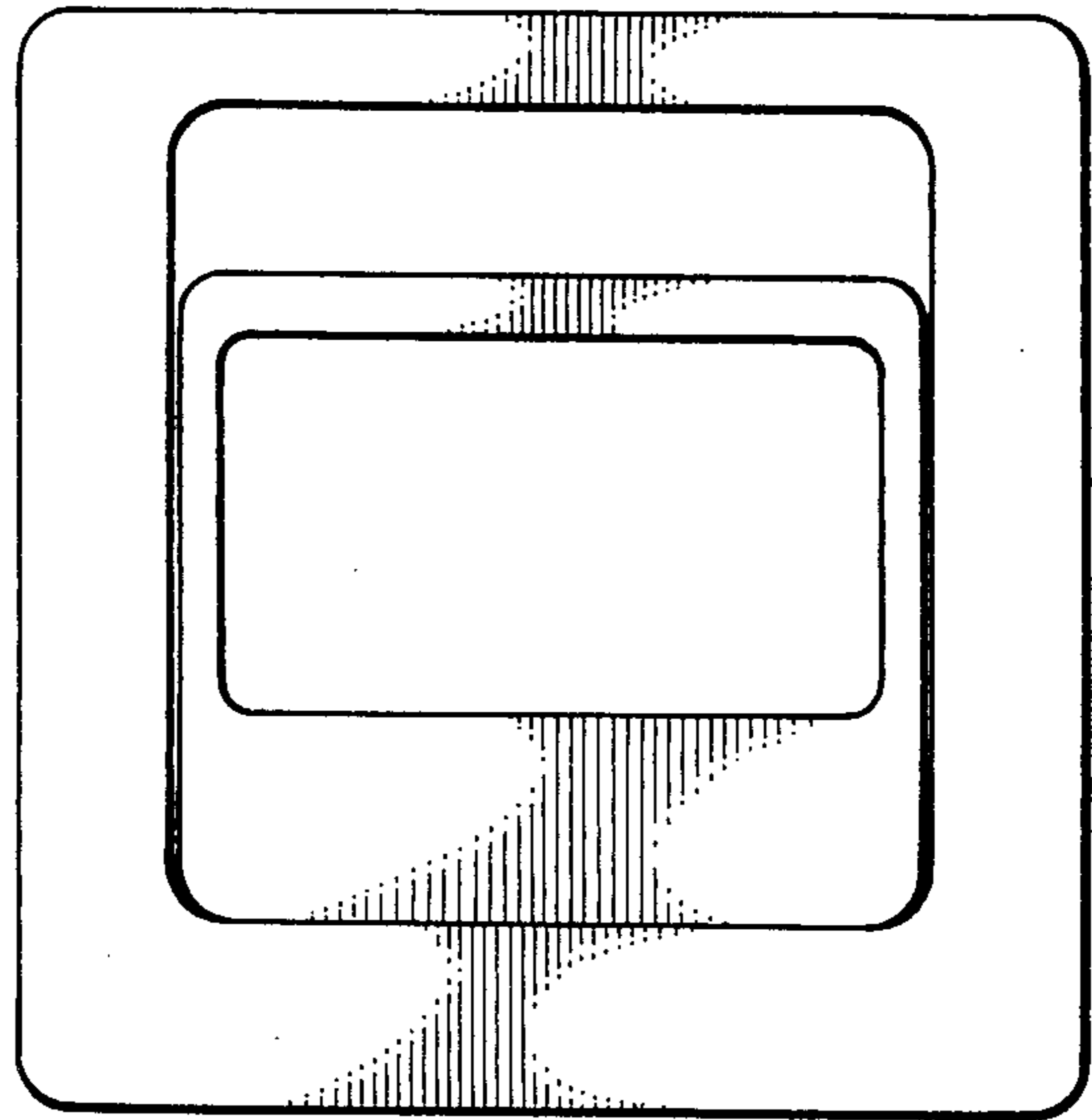
*Fig. 17.*



*Fig. 19.*



*Fig. 20.*



*Fig. 21.*



*Fig. 22.*



*Fig. 23.*



*Fig. 24.*