

[54] DENTAL POST

[76] Inventor: David G. Vlock, 12 Fifth Ave., New York, N.Y. 10011

[\*\*] Term: 14 Years

[21] Appl. No.: 336,007

[22] Filed: Dec. 30, 1981

[52] U.S. Cl. .... D24/10; D8/387; 433/225

[58] Field of Search ..... D8/387, 382; 411/385, 411/510; 433/225

[56] References Cited

U.S. PATENT DOCUMENTS

D. 225,209	11/1972	Raynor et al. ....	D8/387
D. 239,076	3/1976	Murakoshi .....	D8/387
D. 267,627	1/1983	Holtin .....	D8/387
4,187,611	2/1980	Chan .....	433/225
4,349,336	9/1982	Weissman .....	433/225
4,365,958	12/1982	Vlock .....	433/225

FOREIGN PATENT DOCUMENTS

2016631 9/1979 United Kingdom ..... 433/225

Primary Examiner—Bernard Ansher  
Attorney, Agent, or Firm—Lawrence Rosen

[57] CLAIM

The ornamental design for a dental post, as shown and described.

DESCRIPTION

FIG. 1 is a perspective view of a dental post showing my new design;  
 FIG. 2 is a front elevational view thereof;  
 FIG. 3 is a side elevational view thereof;  
 FIG. 4 is a top plan view thereof;  
 FIG. 5 is a bottom plan view thereof;  
 FIG. 6 is a perspective view of a modified embodiment of the dental post showing my new design;  
 FIG. 7 is a front elevational view thereof;  
 FIG. 8 is a side elevational view thereof;  
 FIG. 9 is a top plan view thereof; and  
 FIG. 10 is a bottom plan view thereof.

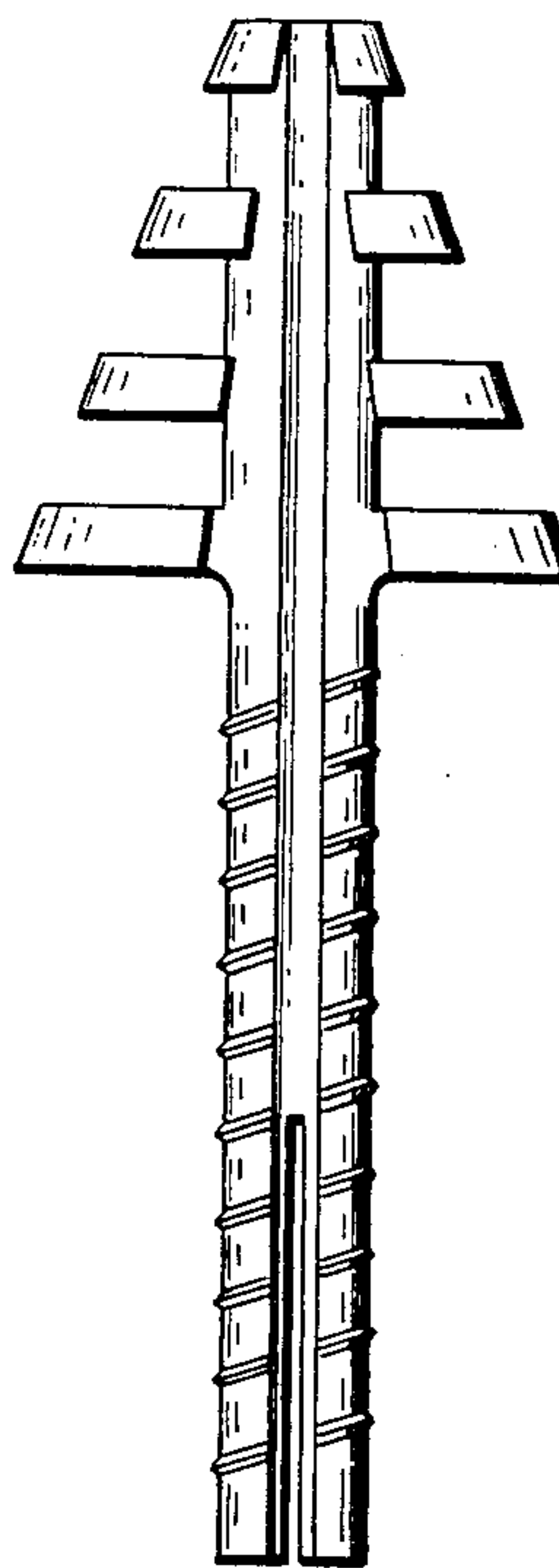
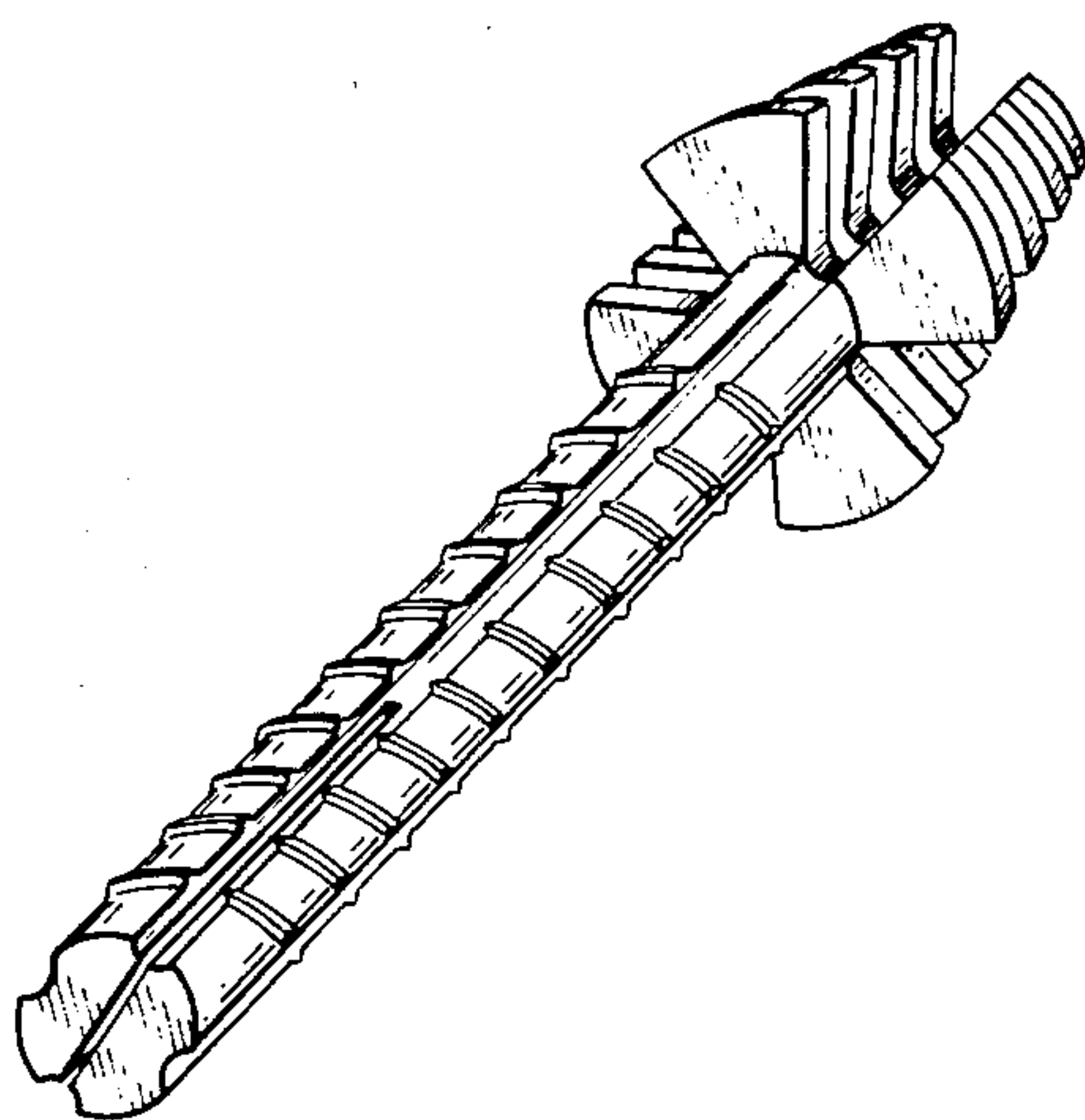


FIG. 1.

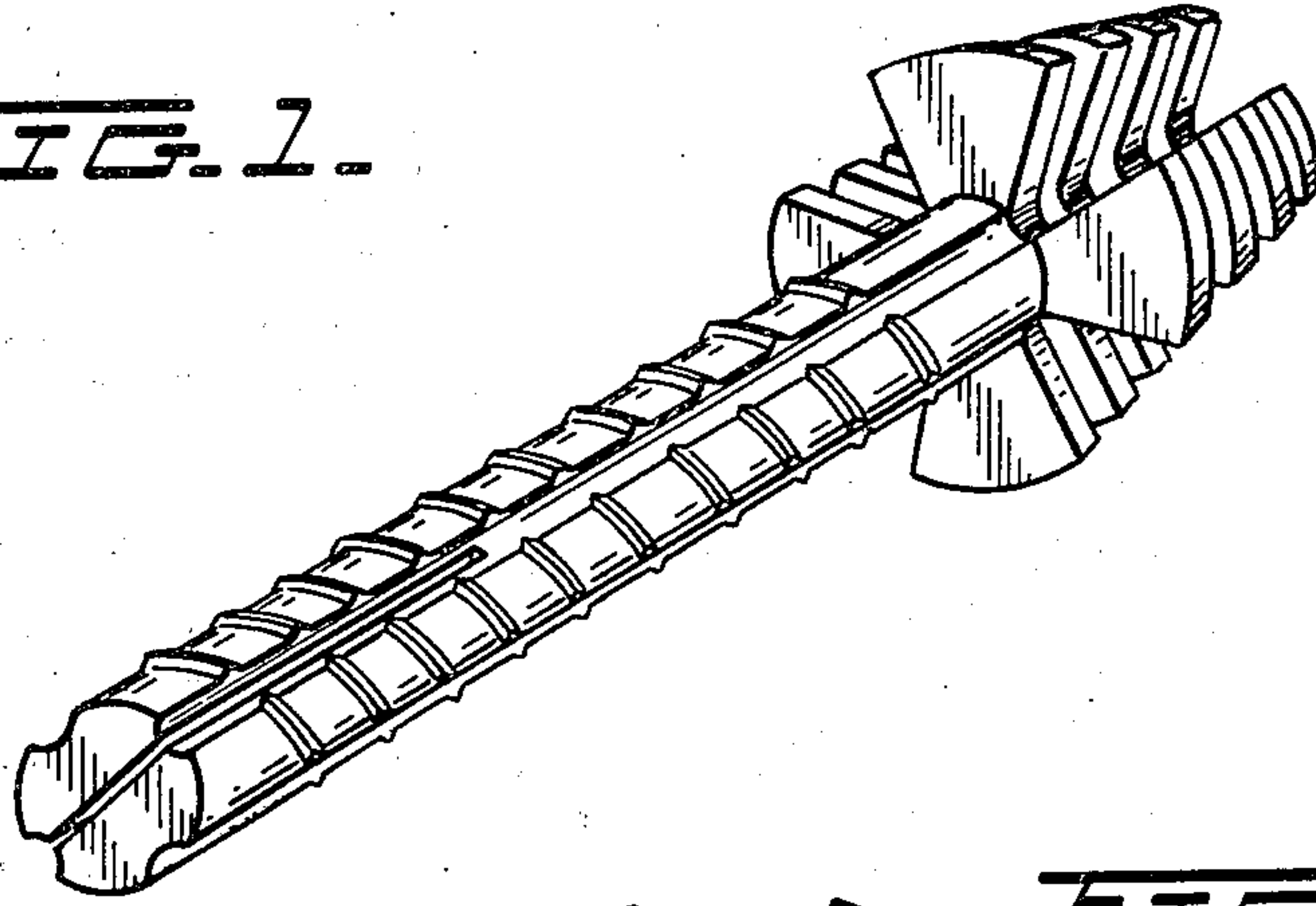


FIG. 4.

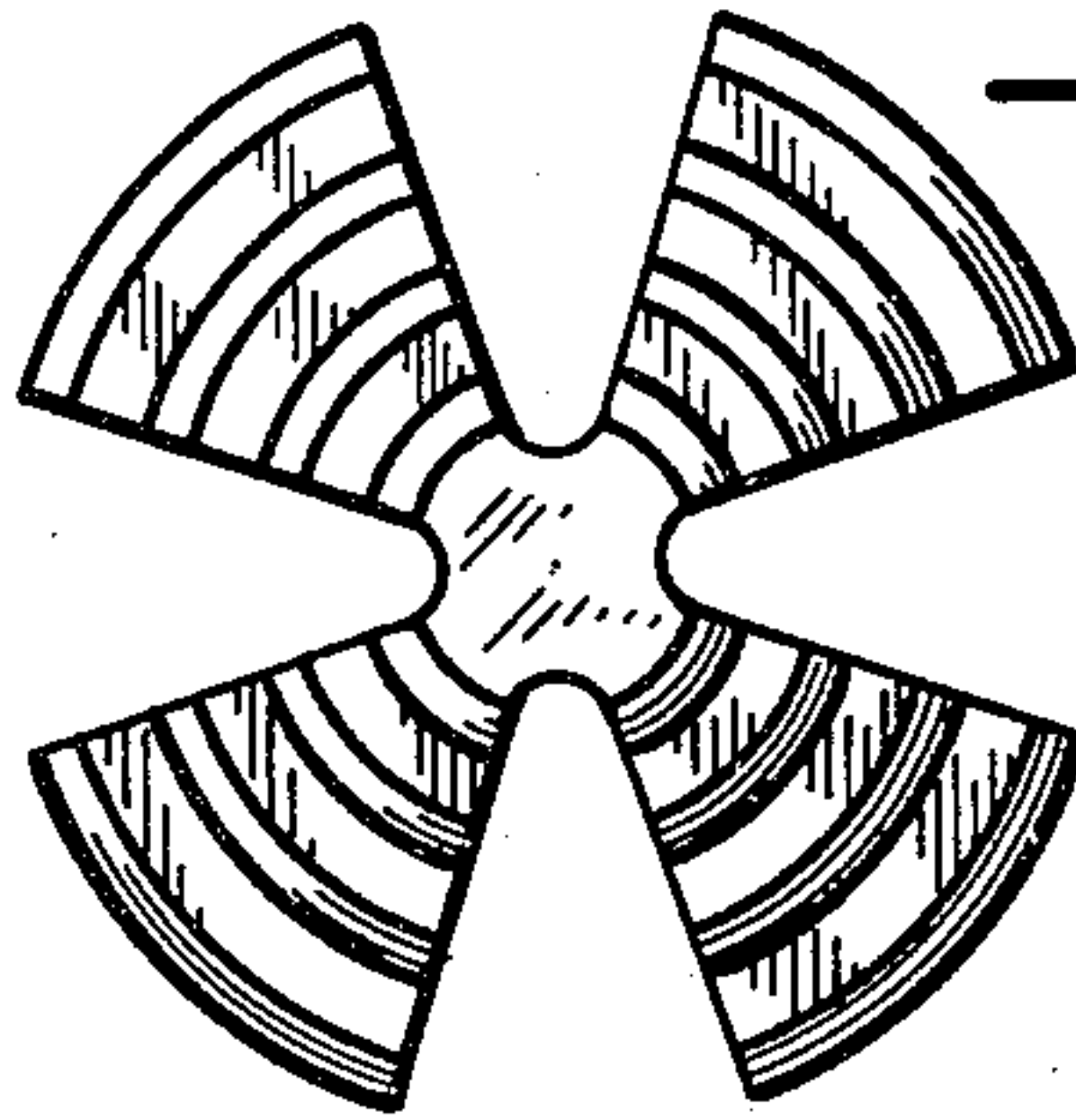


FIG. 2.

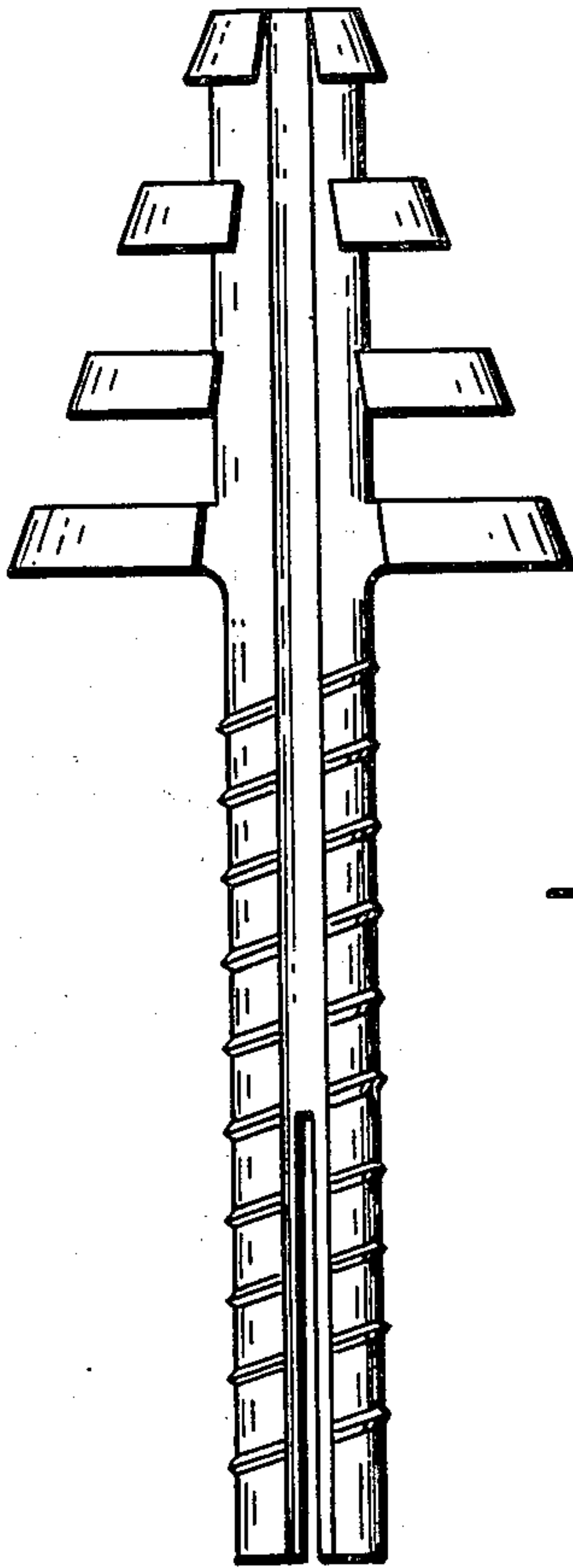


FIG. 3.

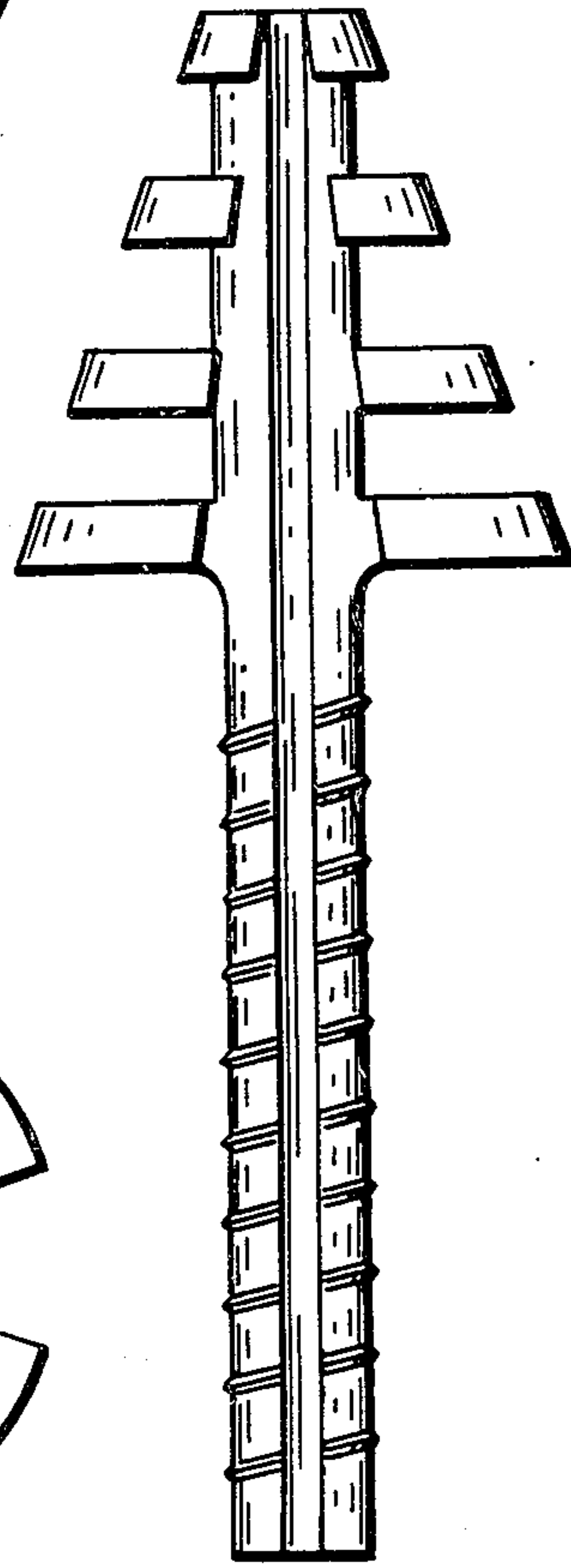


FIG. 5.

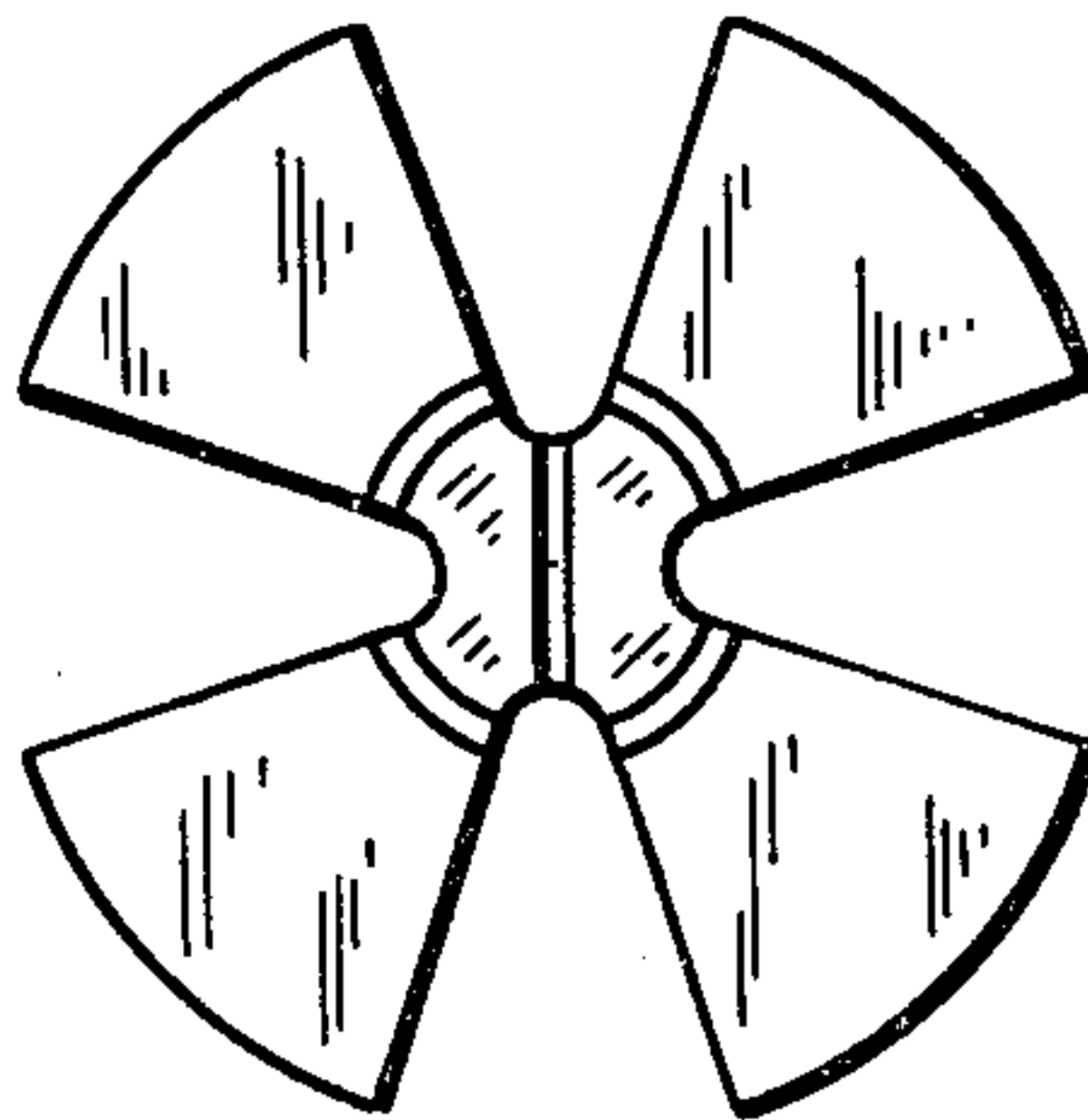


FIG. 6.

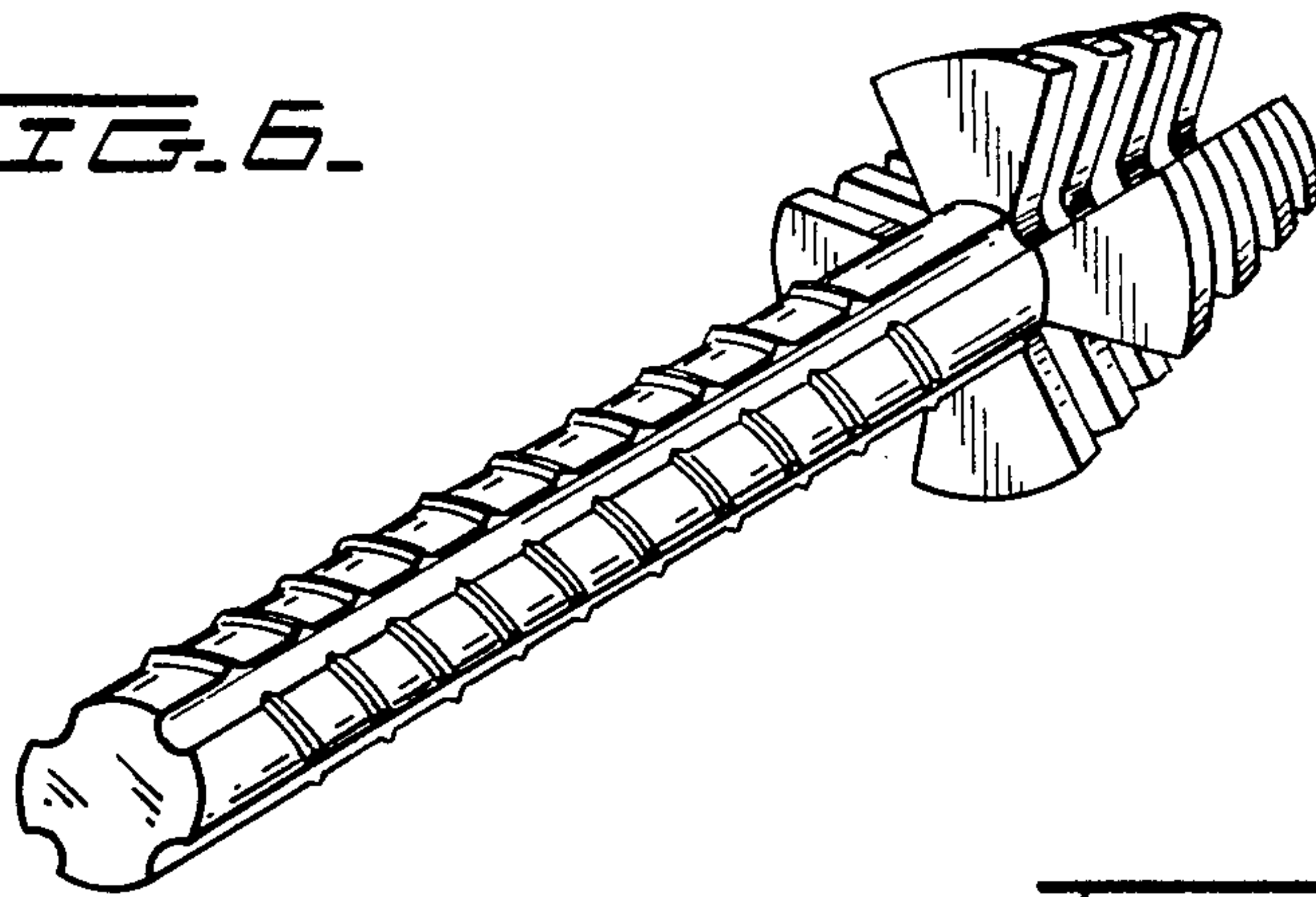


FIG. 9.

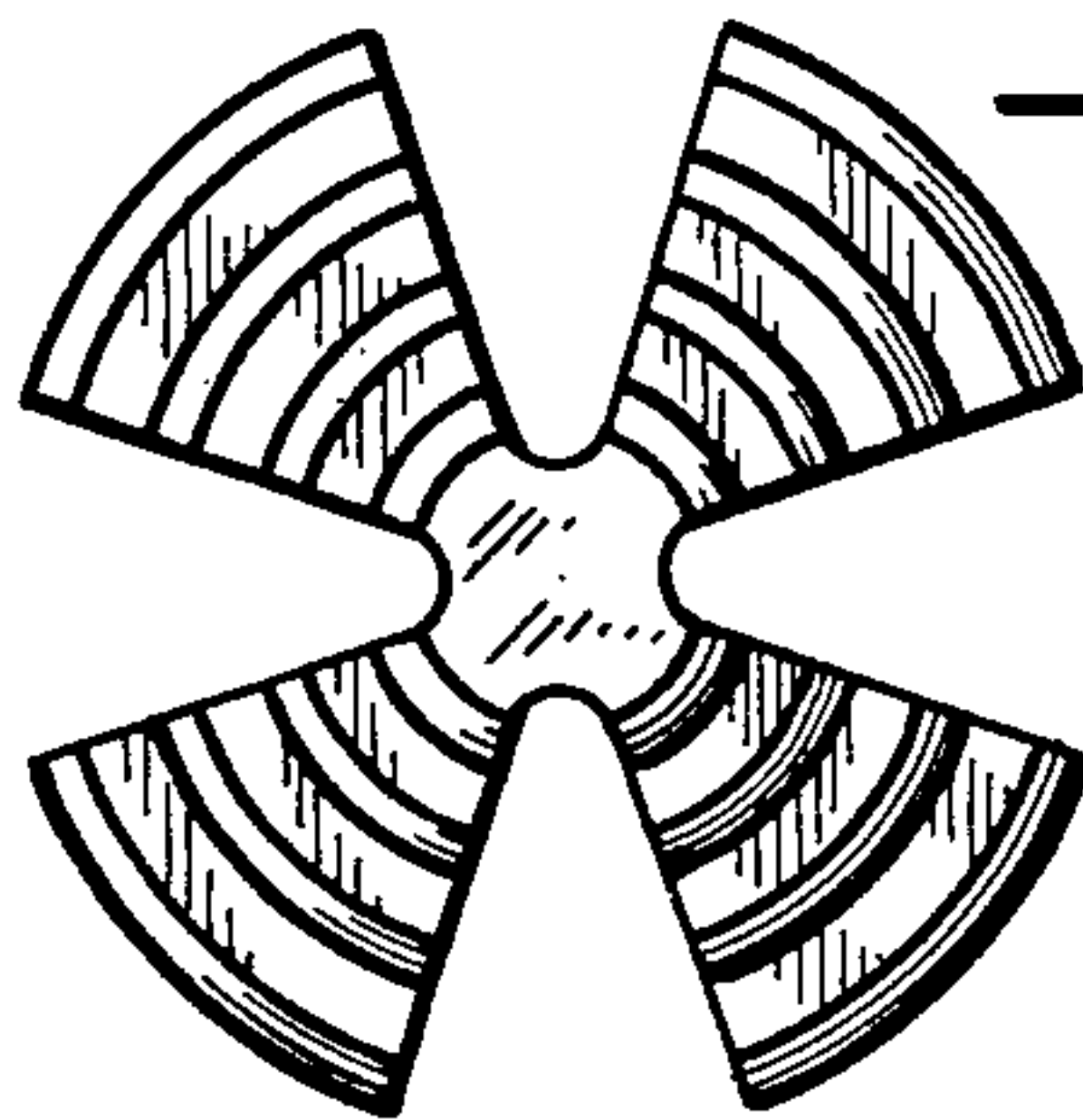


FIG. 7.

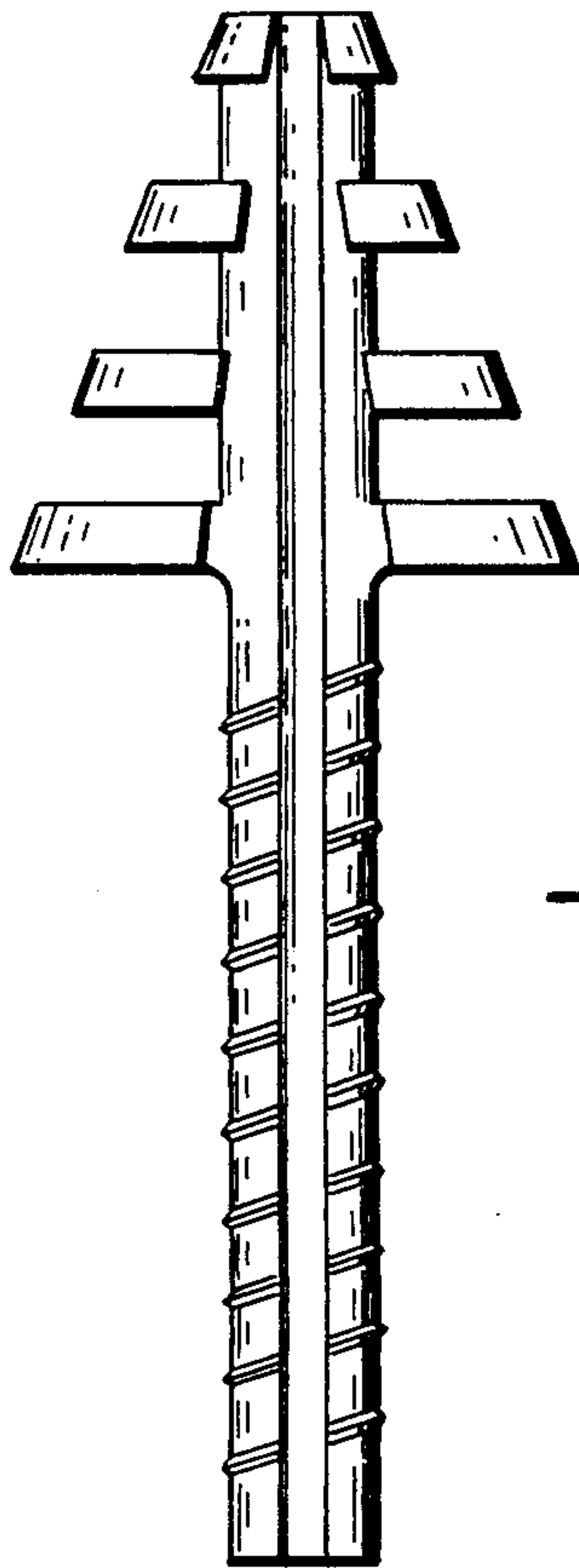


FIG. 8.

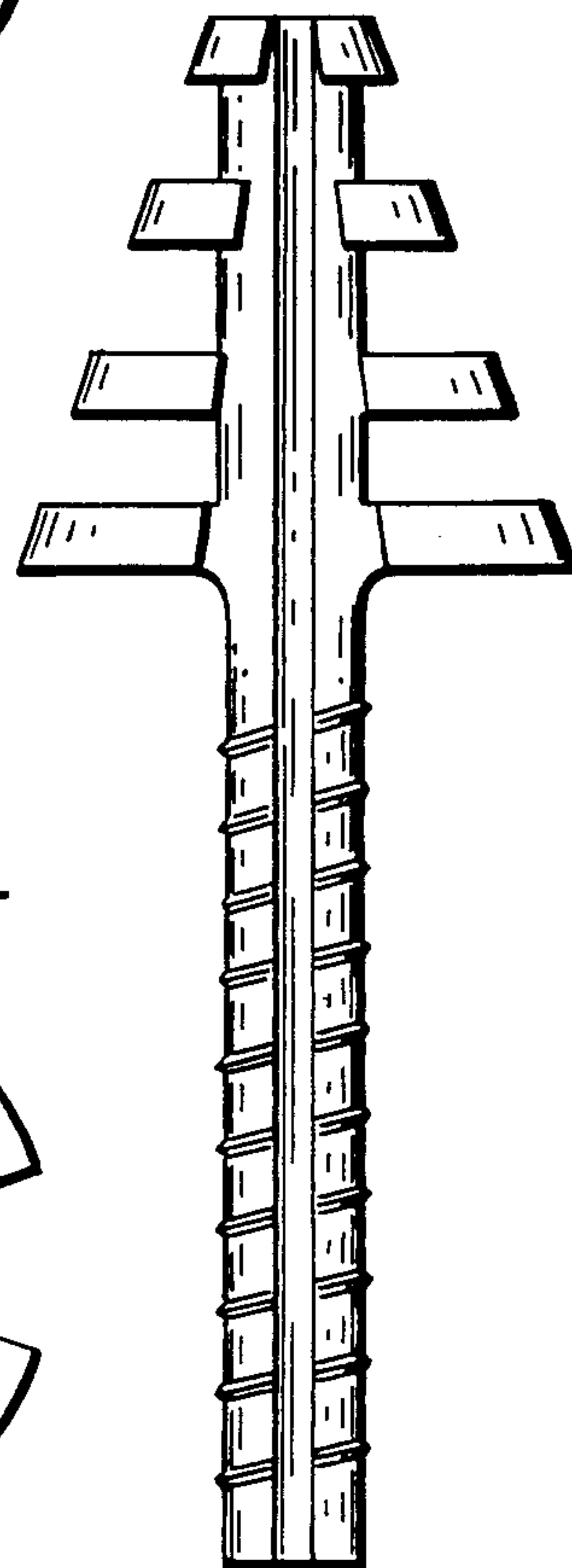


FIG. 10.

