

[54] PEDESTAL LAVATORY OR THE LIKE

[75] Inventor: Jack N. Kaiser, Danville, Ky.

[73] Assignee: American Standard, Inc., New York, N.Y.

[\*\*] Term: 14 Years

[21] Appl. No.: 337,634

[22] Filed: Jan. 7, 1982

[52] U.S. Cl. .... D23/61

[58] Field of Search ..... D23/58-64,  
D23/70; 4/191, 619, 624, 630, 643, 645, 646,  
650, 660

[56] References Cited

U.S. PATENT DOCUMENTS

D. 149,632	5/1948	Green	.....	D23/58
D. 227,103	6/1973	Lippert	.....	D23/58
D. 240,825	8/1976	Gruber	.....	D23/58
D. 258,079	1/1981	Primault	.....	D23/61
D. 258,906	4/1981	Doman	.....	D23/61
D. 264,749	6/1982	Bengston	.....	D23/61
D. 266,577	10/1982	Kaiser	.....	D23/61

OTHER PUBLICATIONS

Design, Oct. 1963, p. 21.

L'architecture D'aujourd Hui, Oct.-Nov. 1962, p. LXXIV.

Stile Industria, #12, p. 31.

Primary Examiner—James R. Largen

Attorney, Agent, or Firm—James J. Salerno, Jr.; Robert G. Crooks; John P. Sinnott

[57] CLAIM

The ornamental design for a pedestal lavatory or the like, substantially as shown and described.

DESCRIPTION

FIG. 1 is a right side elevational view of a pedestal lavatory or the like embodying my new design, the left side being a mirror image of the right side shown;

FIG. 2 is a front elevational view thereof;

FIG. 3 is a top plan view thereof;

FIG. 4 is a rear elevational view thereof;

FIG. 5 is a bottom plan view thereof;

FIG. 6 is a cross sectional view taken on line 6—6 of FIG. 3; and

FIG. 7 is a cross sectional view taken on line 7—7 of FIG. 3.

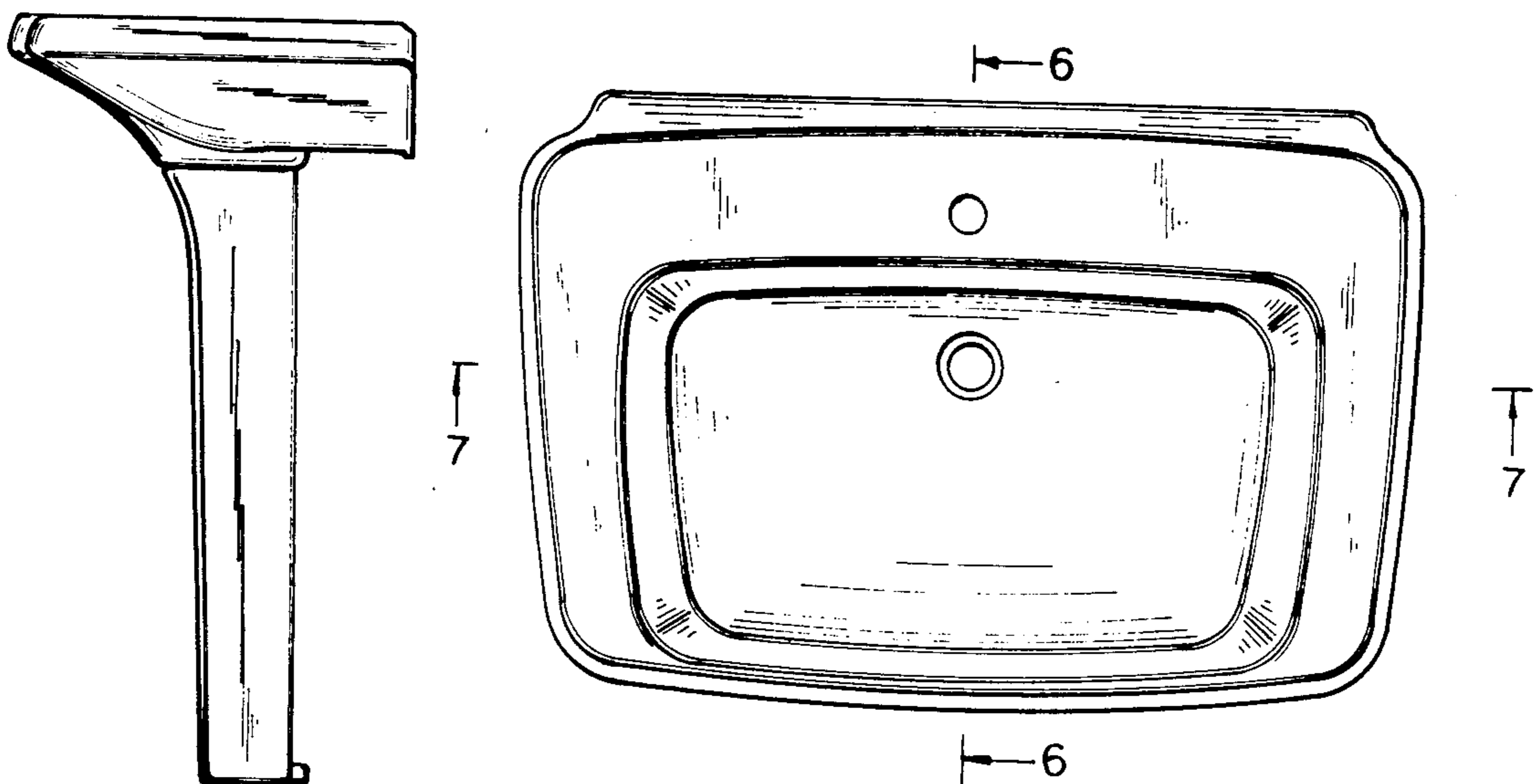


FIG. 1

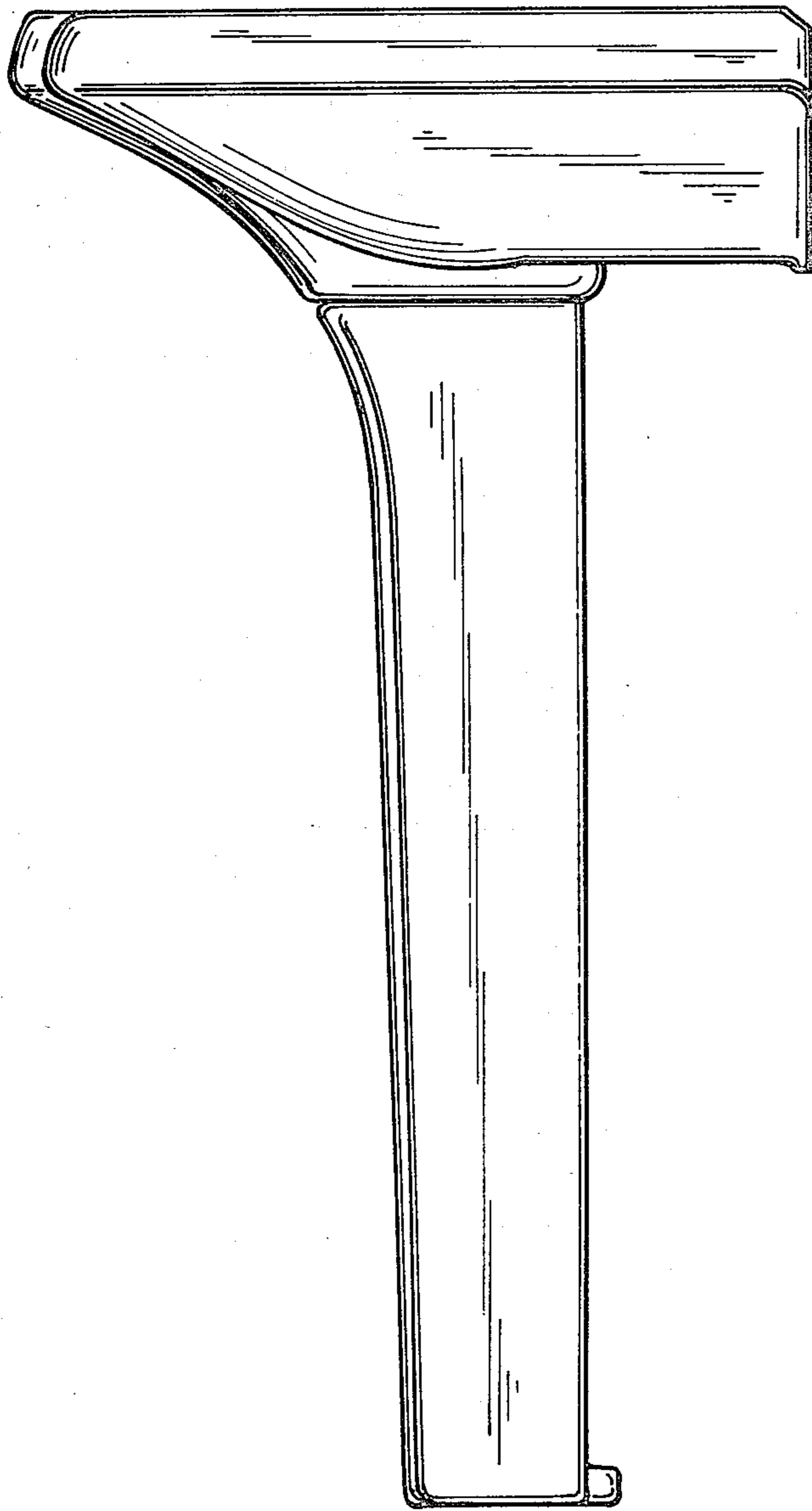


FIG. 2

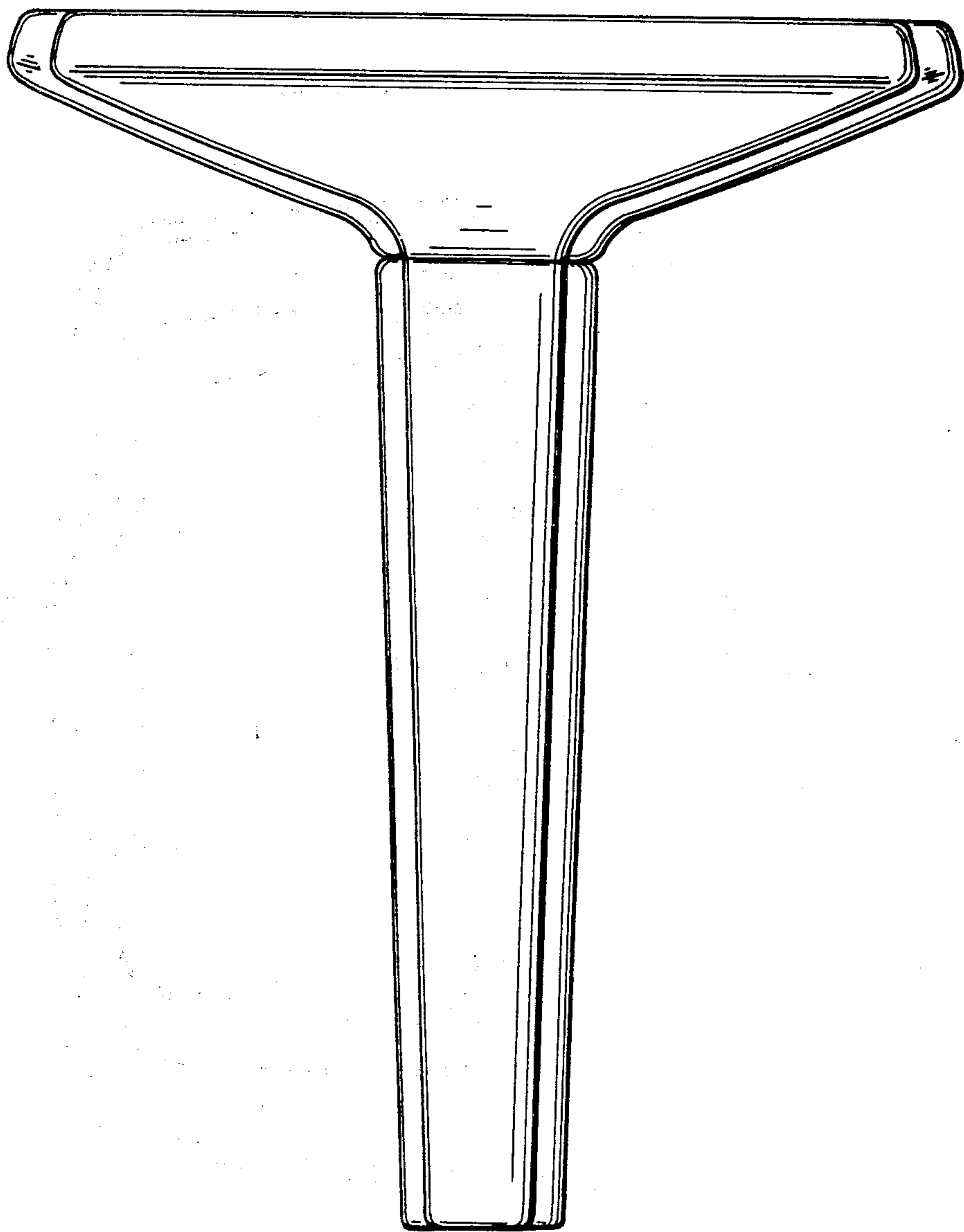
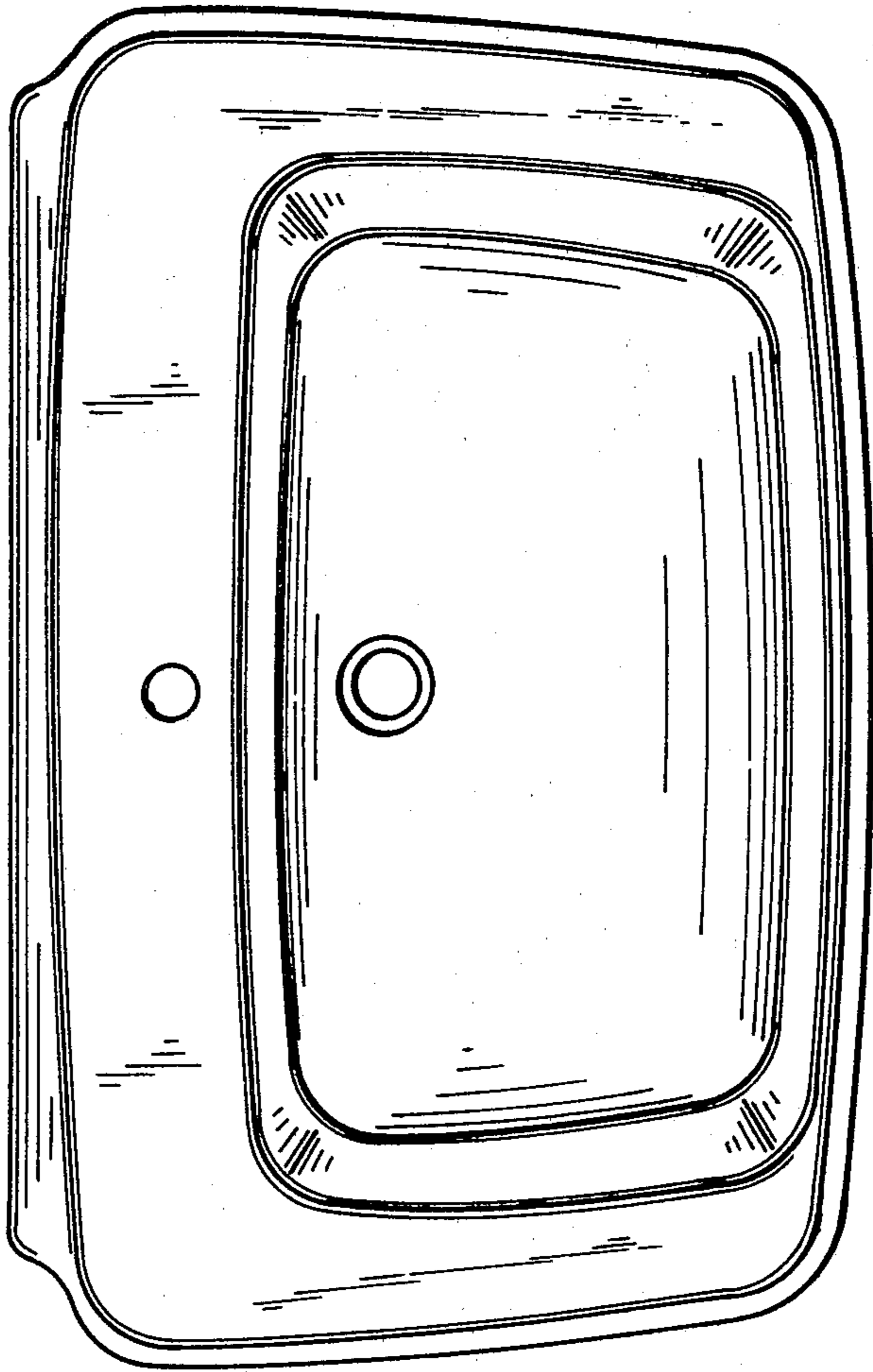


FIG. 3

6



6

7

7

FIG. 4

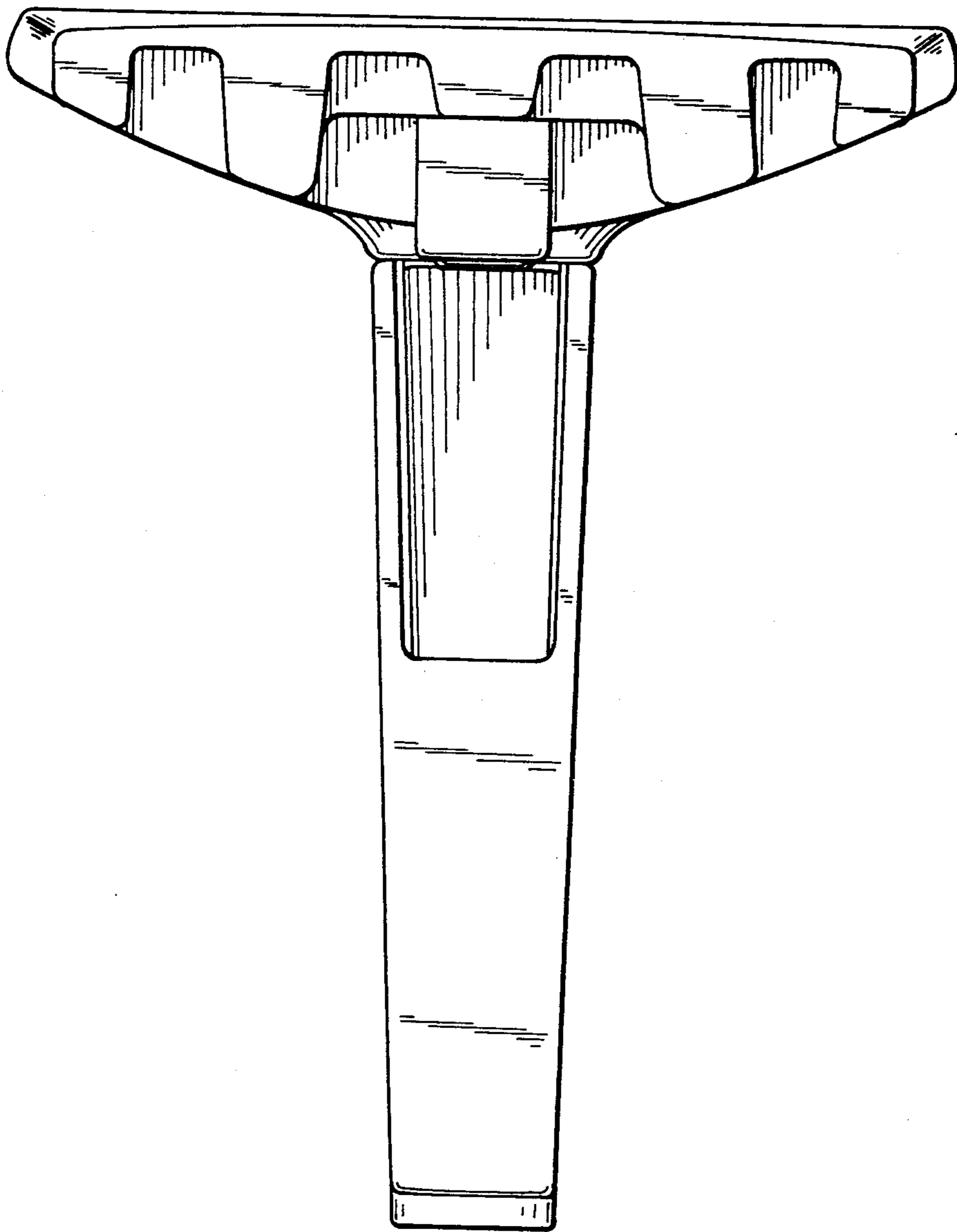


FIG. 5

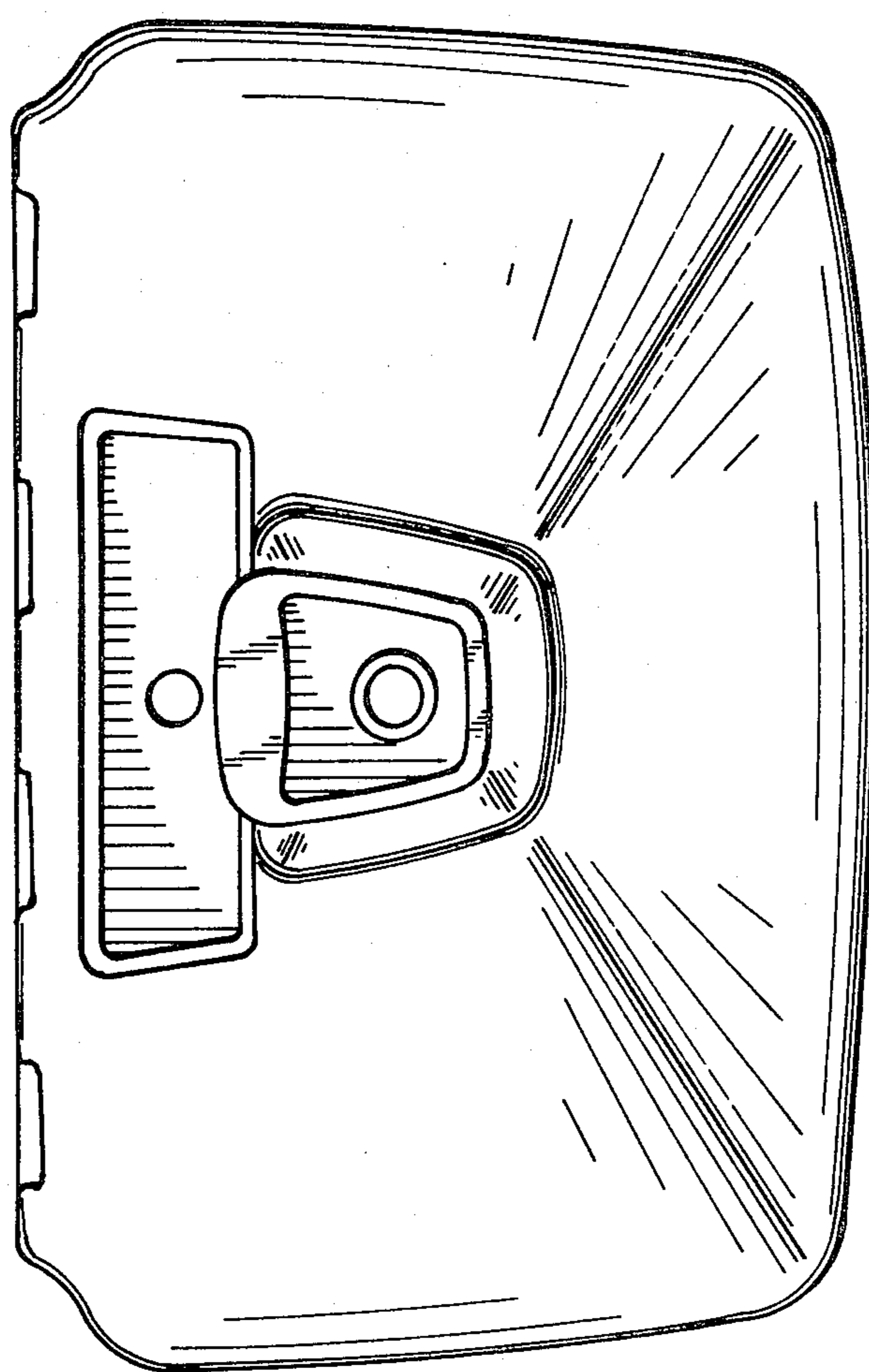


FIG. 6

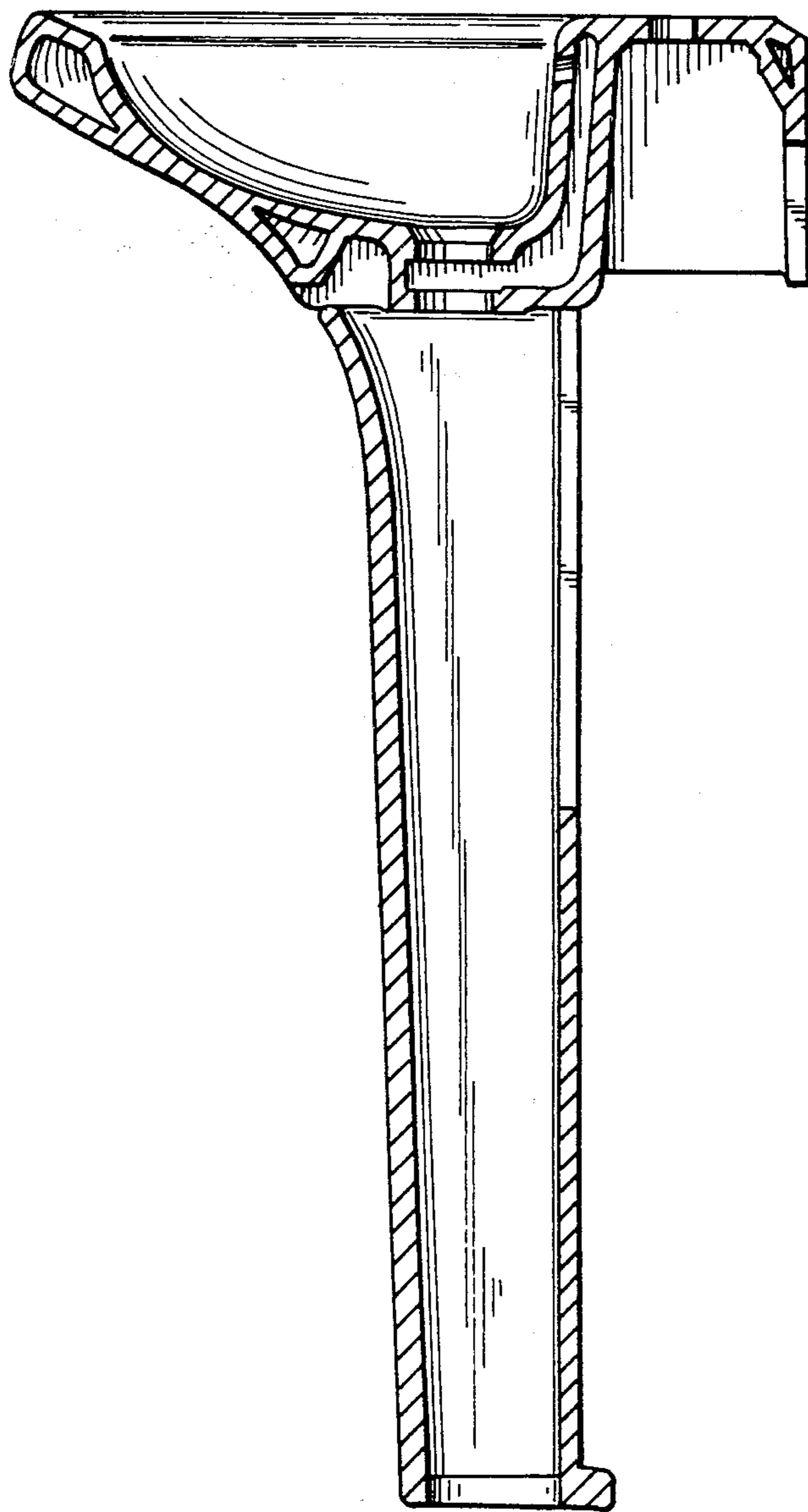


FIG. 7

