

[54] LAVATORY OR SIMILAR ARTICLE

- [75] Inventor: Henry M. Stair, Jr., Neshanic, N.J.  
[73] Assignee: American Standard, Inc., New York, N.Y.  
[\*\*] Term: 14 Years  
[21] Appl. No.: 383,424  
[22] Filed: Jun. 1, 1982  
[52] U.S. Cl. .... D23/58  
[58] Field of Search ..... D23/58-64;  
4/191, 619, 624, 630, 643, 645, 646, 650, 660

[56] References Cited

U.S. PATENT DOCUMENTS

D. 149,632	5/1948	Green	.....	D23/58
D. 170,530	10/1953	Hendrickson	.....	D23/58
D. 193,167	7/1962	Chapman	.....	D23/58
D. 194,021	11/1962	Chapman	.....	D23/58
D. 198,016	4/1964	Kaiser	.....	D23/58
D. 204,538	4/1966	Armstrong	.....	D23/58
D. 236,831	9/1975	Myers	.....	D23/58
D. 267,336	12/1982	Fortuno	.....	D23/58

OTHER PUBLICATIONS

American Standard Cat., pp. 2-16, dated (9/79) "Scottian Lavatory" item.

Primary Examiner—James R. Largen  
Attorney, Agent, or Firm—James J. Salerno, Jr.; Robert G. Crooks; John P. Sinnott

[57] CLAIM

The ornamental design for a lavatory or similar article, substantially as shown and described.

DESCRIPTION

FIG. 1 is a front elevational view of a lavatory embodying my new design;  
FIG. 2 is a right side elevational view thereof, the left side being a mirror image of the right side shown;  
FIG. 3 is a rear elevational view thereof;  
FIG. 4 is a top plan view thereof;  
FIG. 5 is a bottom plan view thereof;  
FIG. 6 is a cross sectional view taken on line 6-6 of FIG. 4; and  
FIG. 7 is a perspective view taken from the top, front and left side thereof.

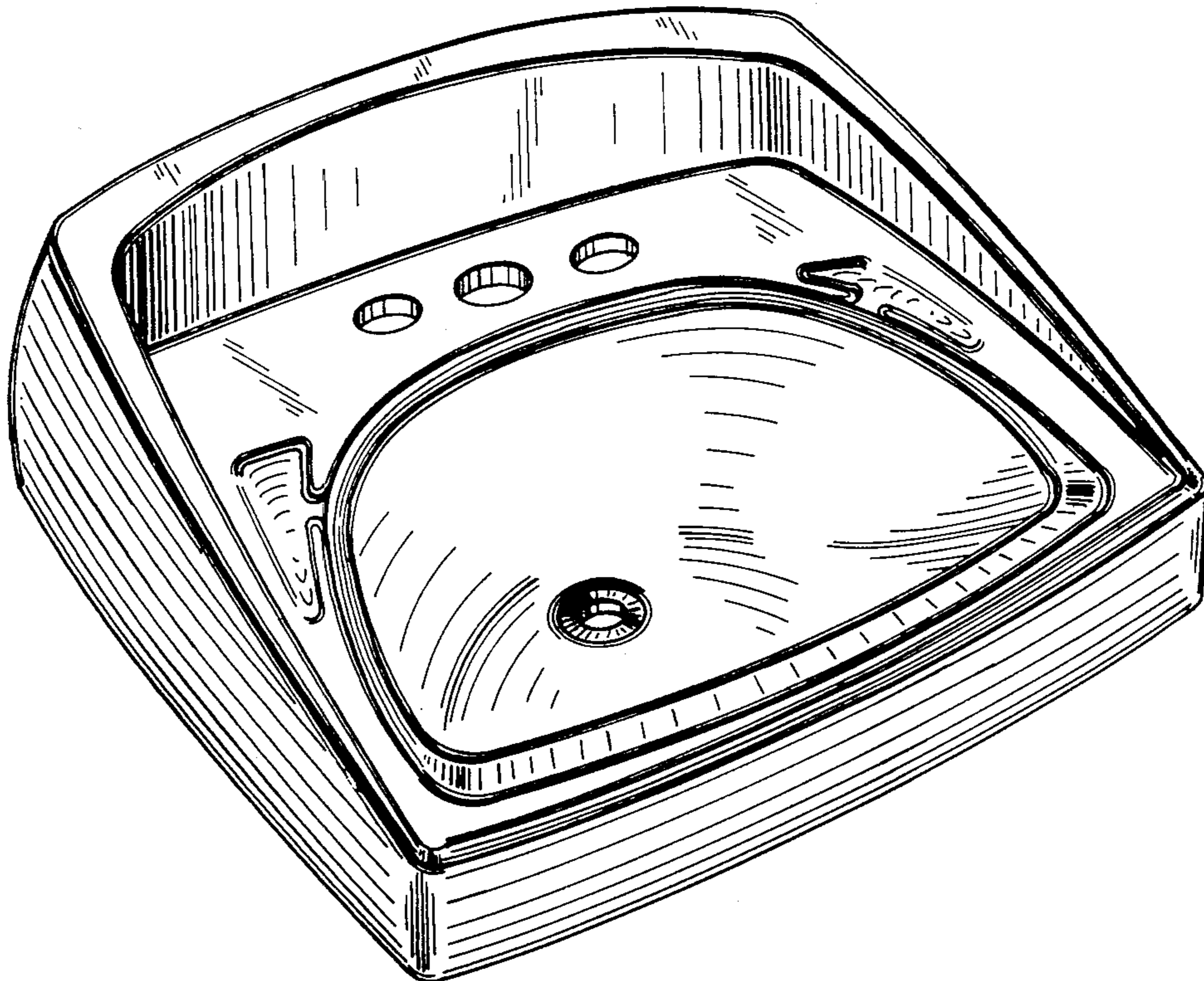


FIG. 1

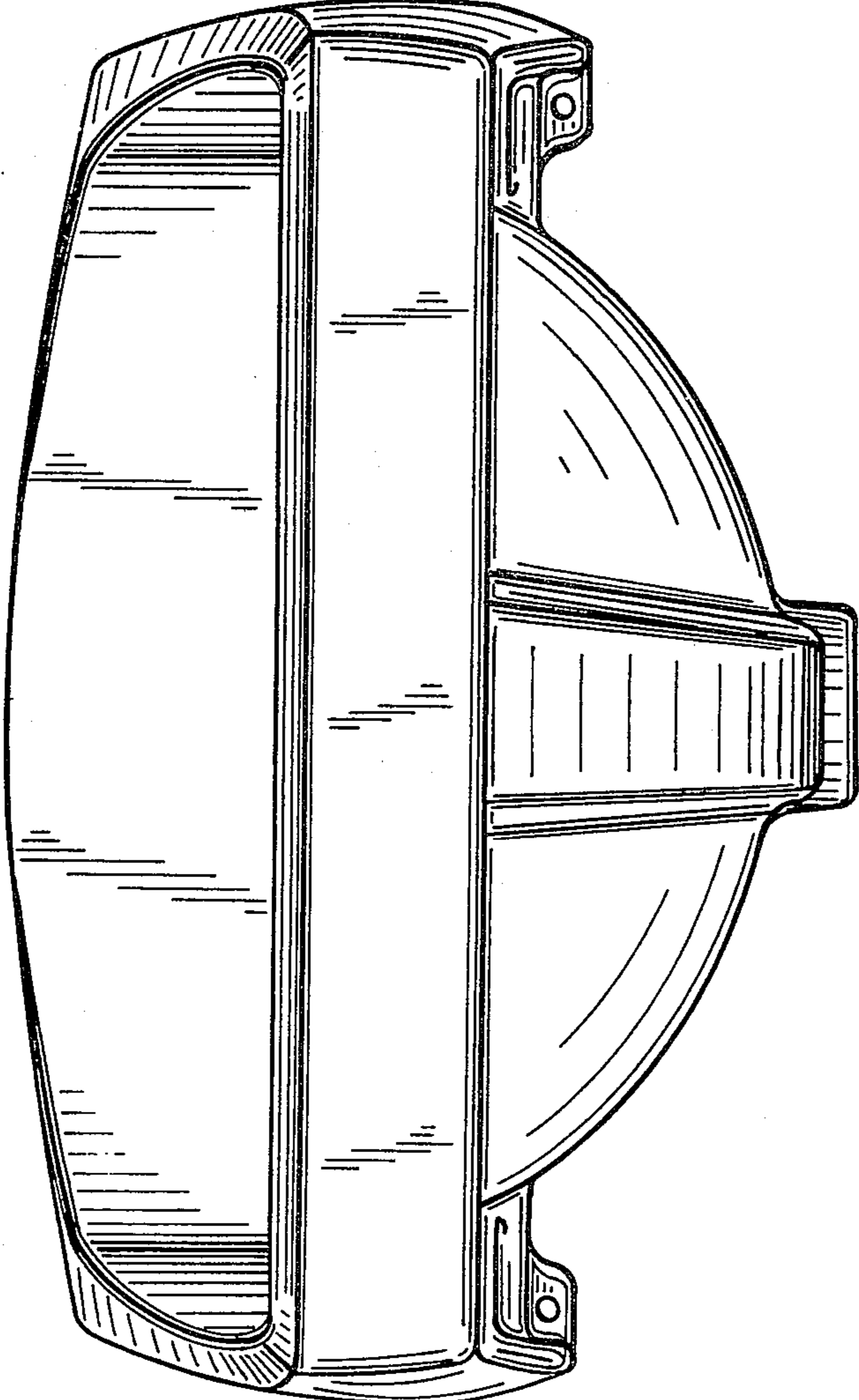


FIG. 2

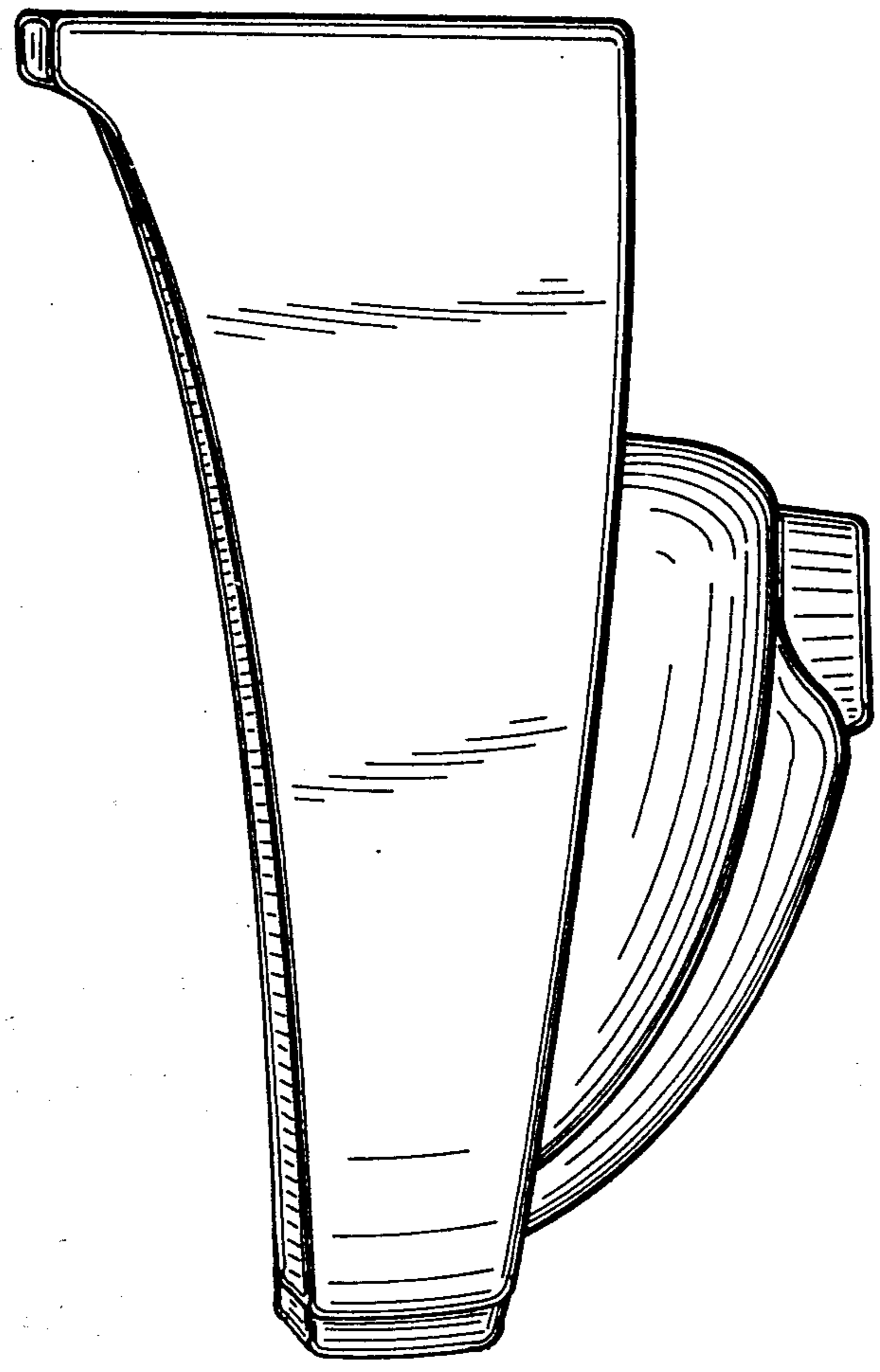


FIG. 3

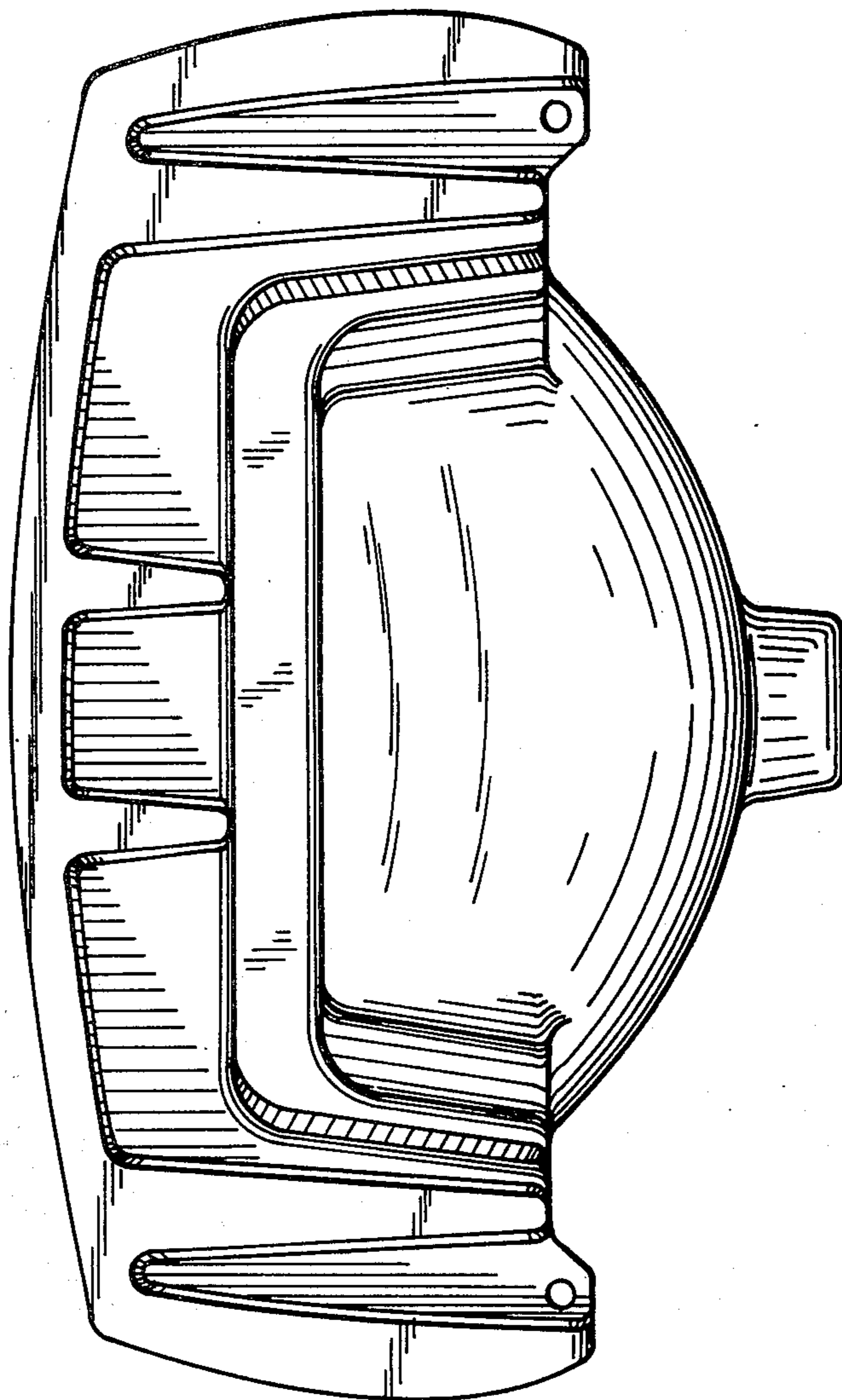


FIG. 4

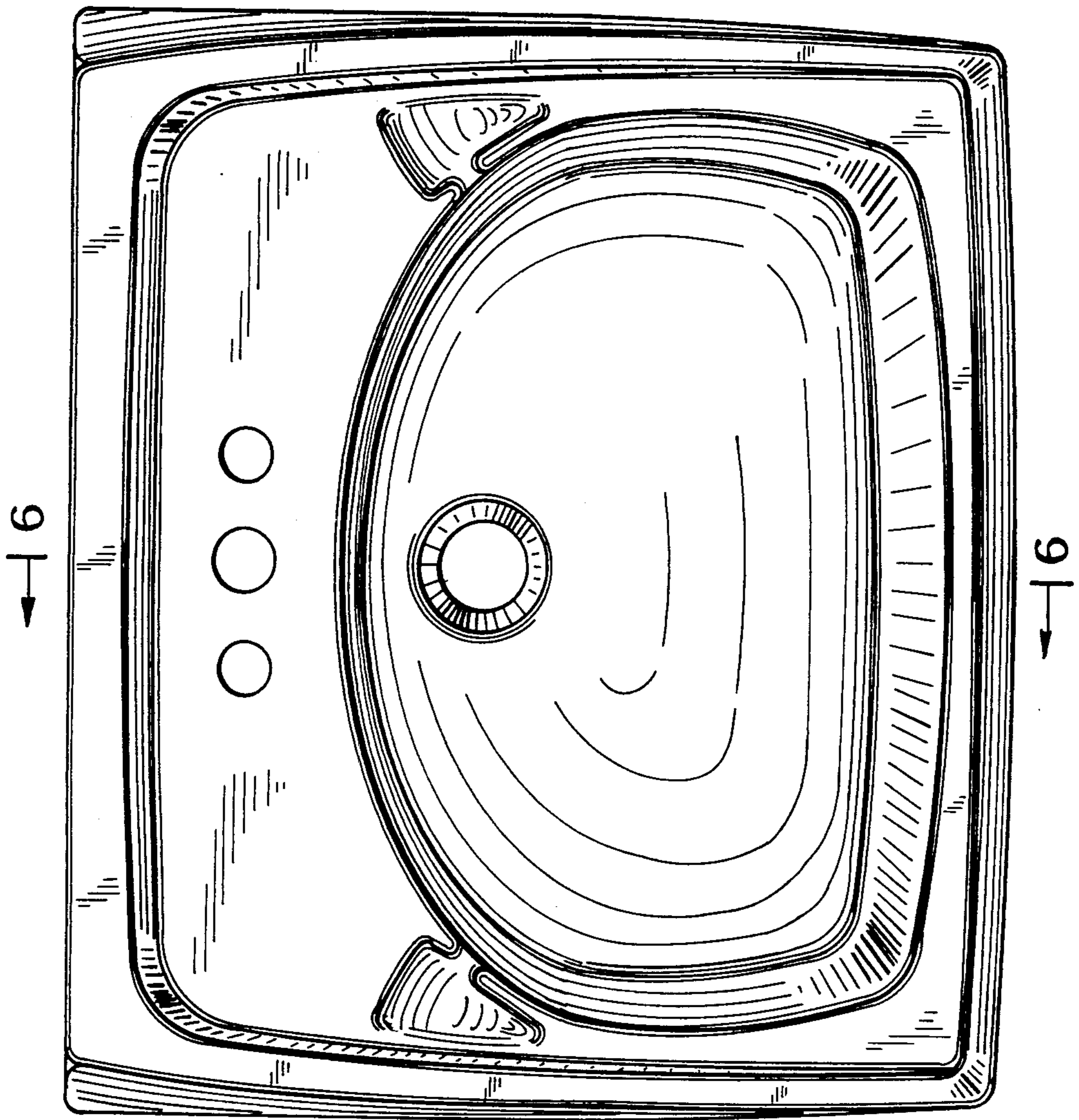


FIG. 5

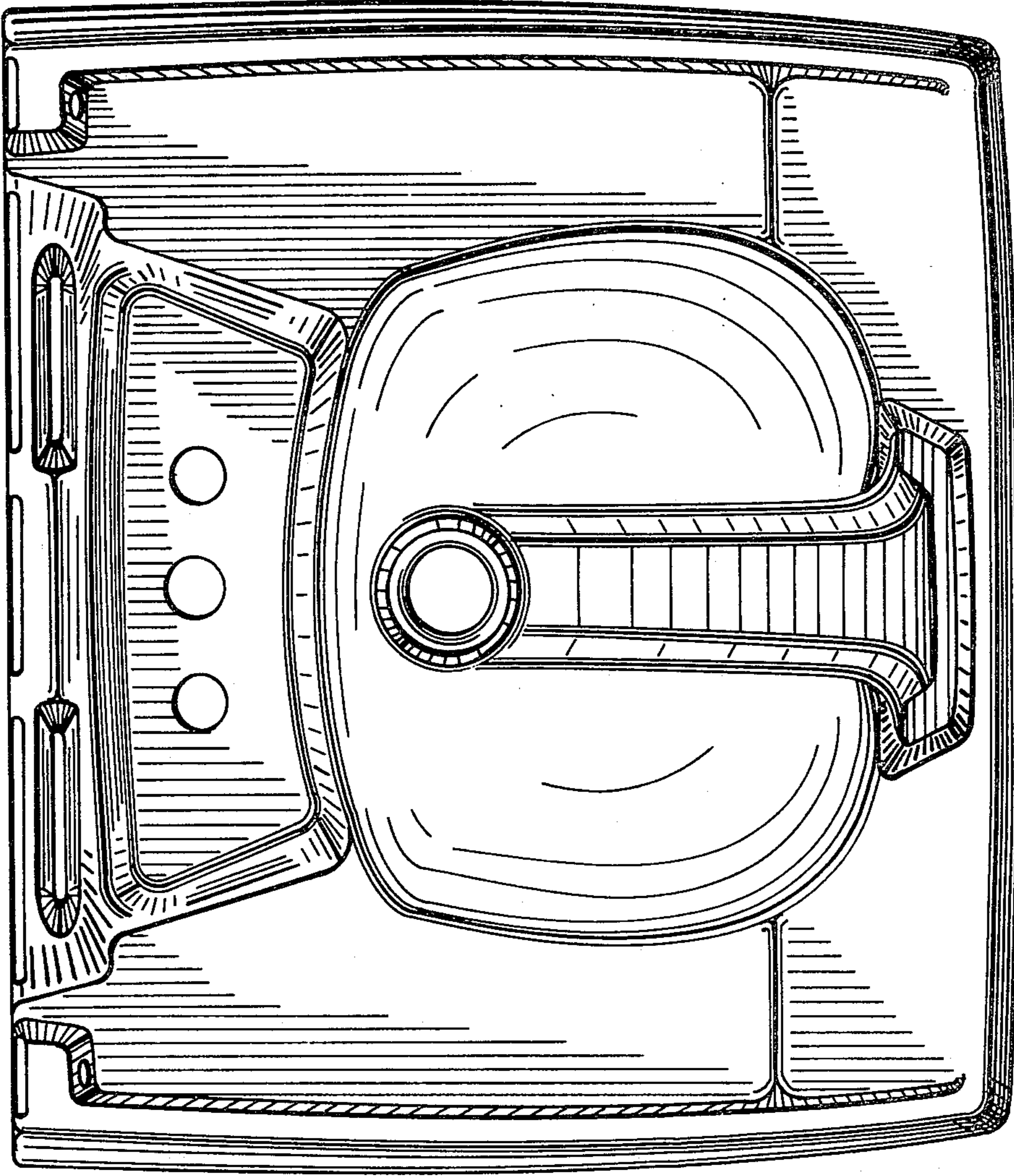
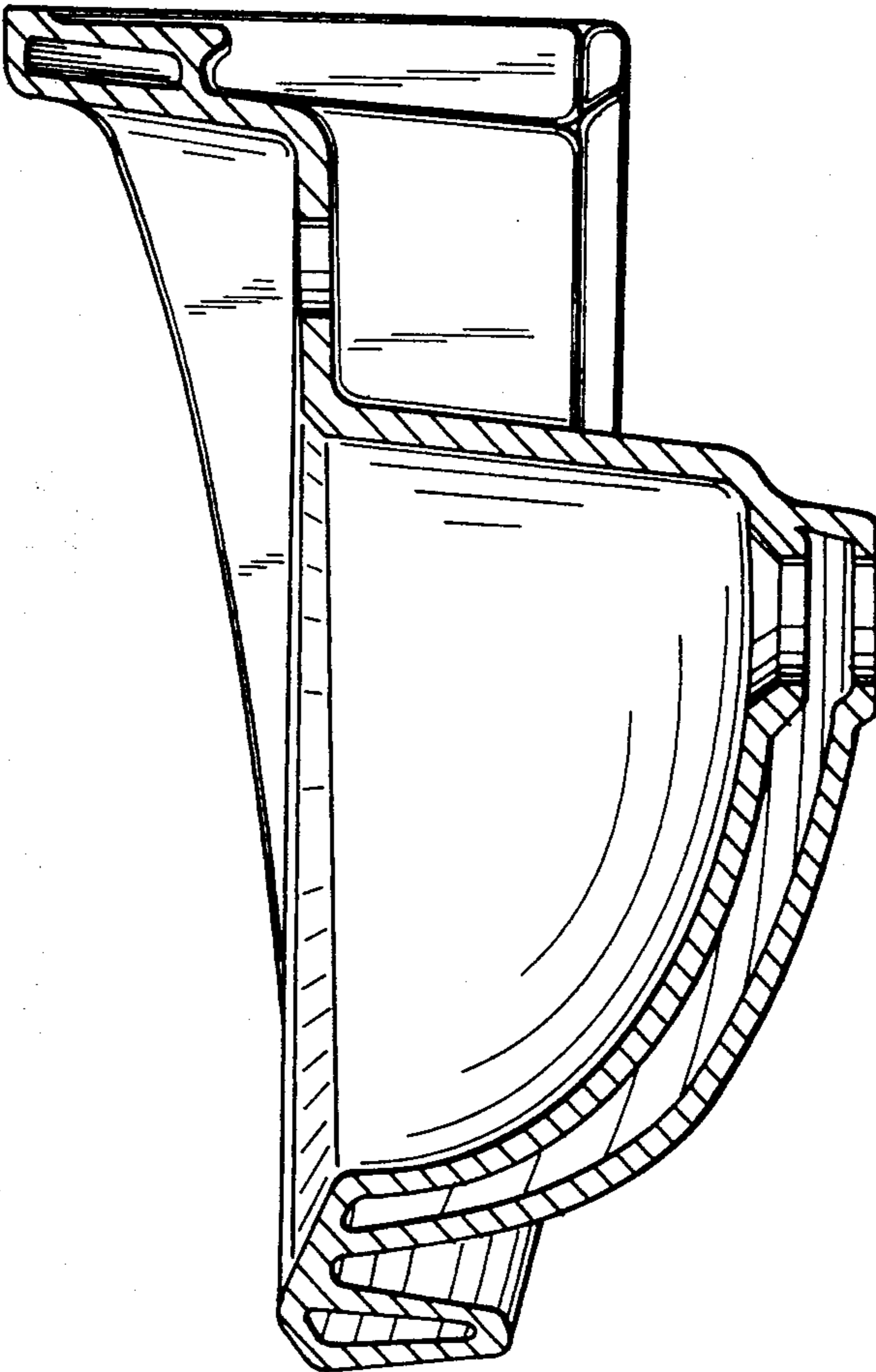


FIG. 6



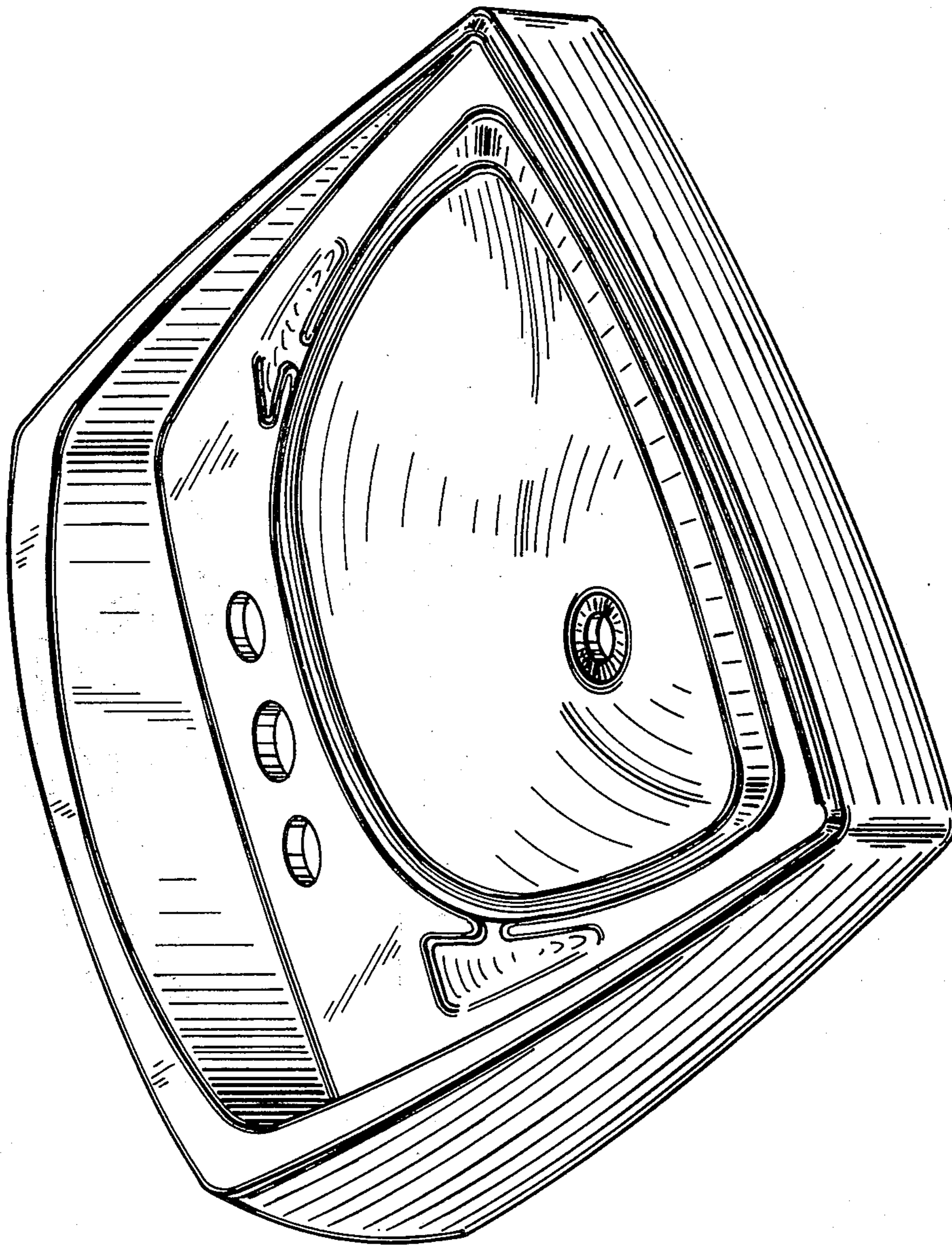


FIG. 7