

[54] LAVATORY

[75] Inventor: Axel Enthoven, Wijnegen, Belgium

[73] Assignee: American Standard, Inc., New York, N.Y.

[\*\*] Term: 14 Years

[21] Appl. No.: 367,326

[22] Filed: Apr. 12, 1982

[30] Foreign Application Priority Data

Oct. 19, 1981 [DE] Fed. Rep. of Germany ..... 20 MR 1910

[52] U.S. Cl. .... D23/58

[58] Field of Search ..... D23/58-69, D23/70; 4/191, 619, 624, 630, 643, 645, 646, 650, 660

[56] References Cited

U.S. PATENT DOCUMENTS

- D. 198,016 4/1964 Kaiser ..... D23/58
- D. 201,344 6/1965 Stairs, Jr. .... D23/58
- D. 202,410 9/1965 Sundberg et al. .... D23/58
- D. 236,831 9/1975 Myers ..... D23/58

- D. 258,079 1/1981 Primault ..... D23/61
- D. 258,906 4/1981 Doman ..... D23/61
- D. 264,749 6/1982 Bengston ..... D23/61
- D. 266,577 10/1982 Kaiser ..... D23/61

OTHER PUBLICATIONS

Design, Oct. 1963, p. 21.  
L'architecture D'aujourd'hui, Oct-Nov. 1962, p. LXXIV.  
Stile Industria #12, p. 31, lavatory at bottom of page.

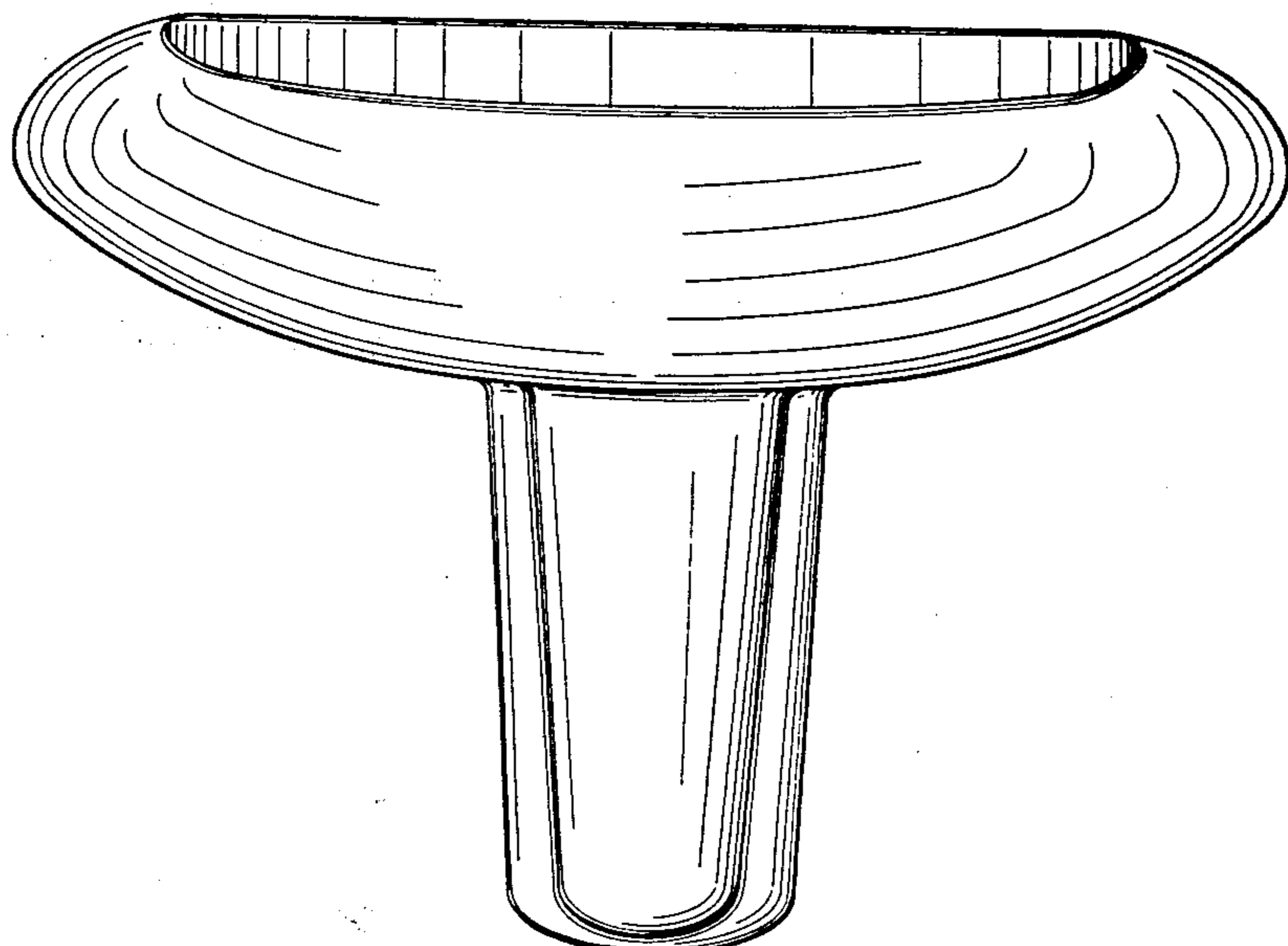
Primary Examiner—James R. Largen  
Attorney, Agent, or Firm—James J. Salerno, Jr.; Robert G. Crooks; John P. Sinnott

[57] CLAIM

The ornamental design for a lavatory, substantially as shown and described.

DESCRIPTION

FIG. 1 is a front elevational view of a lavatory embodying my new design;  
FIG. 2 is a left side elevational view thereof, the right side being a mirror image of the left side shown;  
FIG. 3 is a top plan view thereof;  
FIG. 4 is a bottom plan view thereof; and  
FIG. 5 is a rear elevational view thereof.



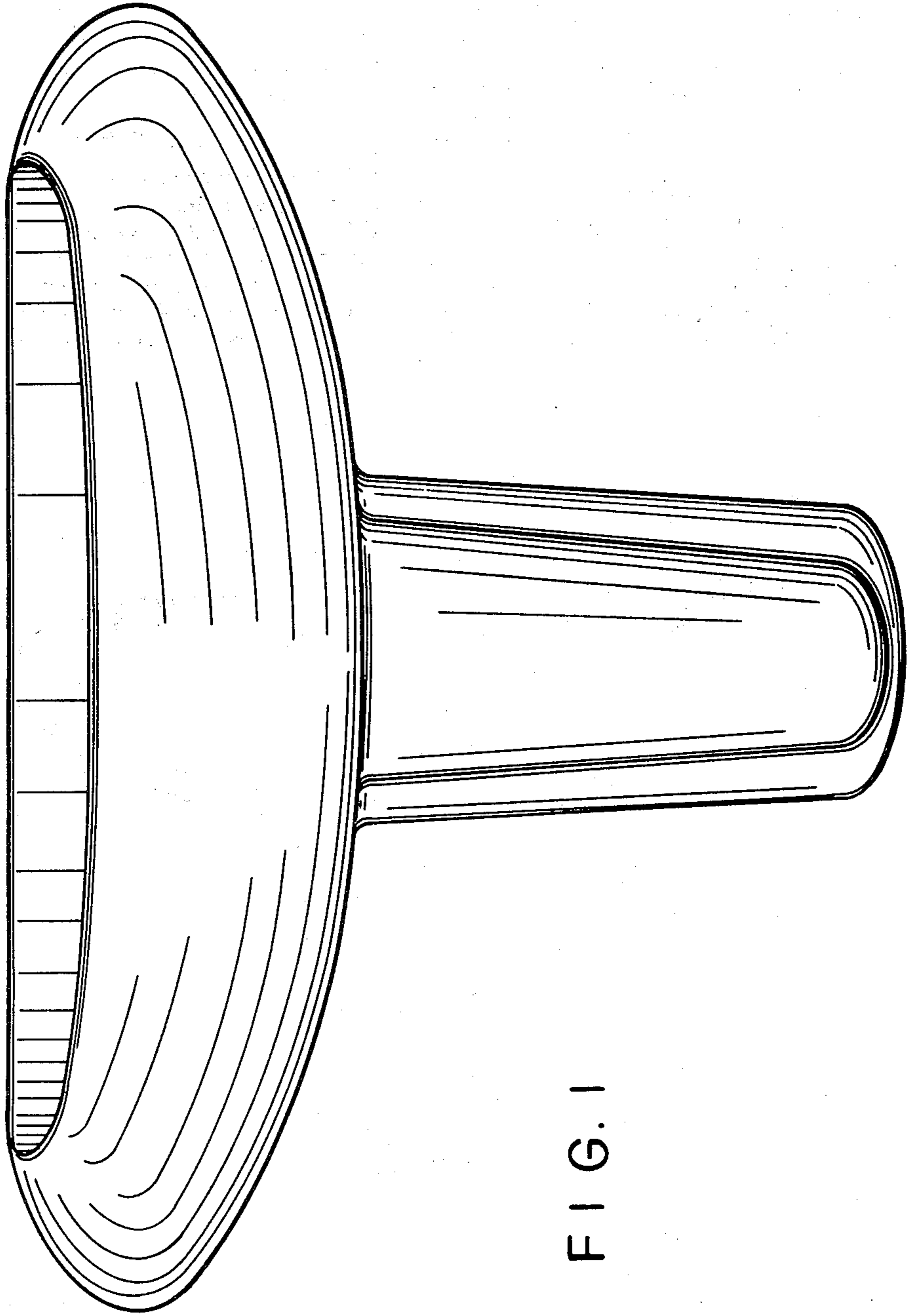
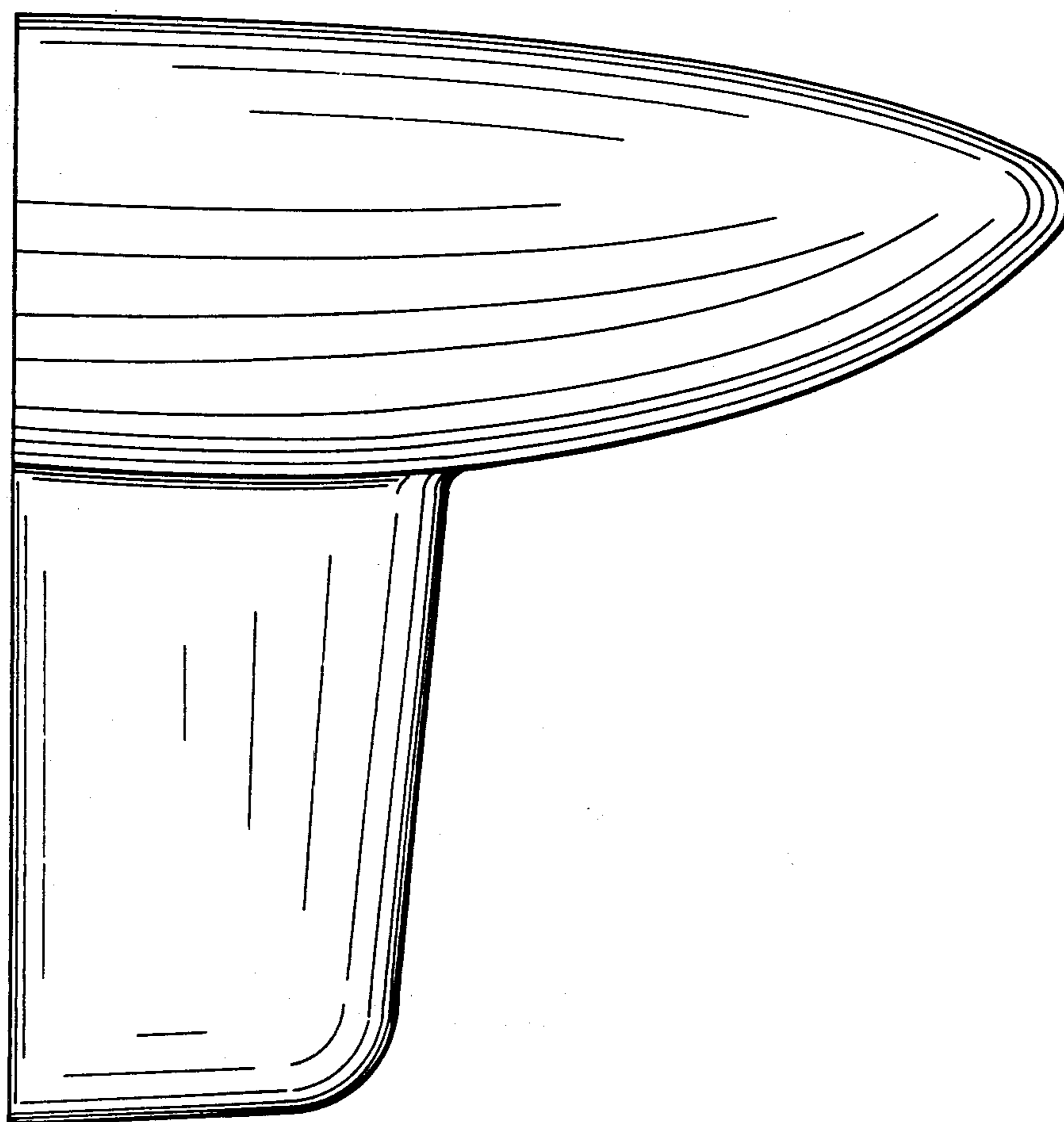


FIG. 1

FIG. 2



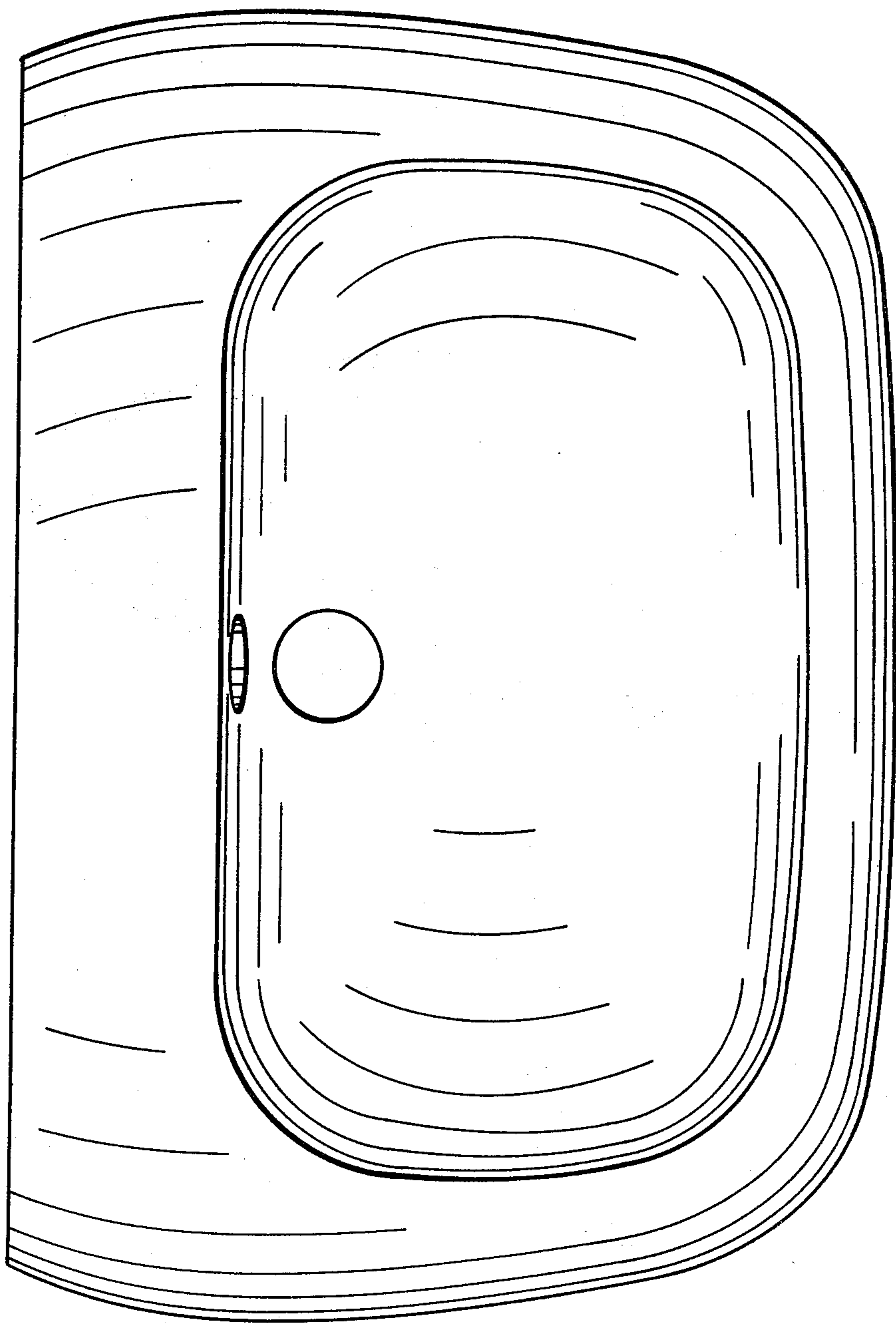


FIG. 3

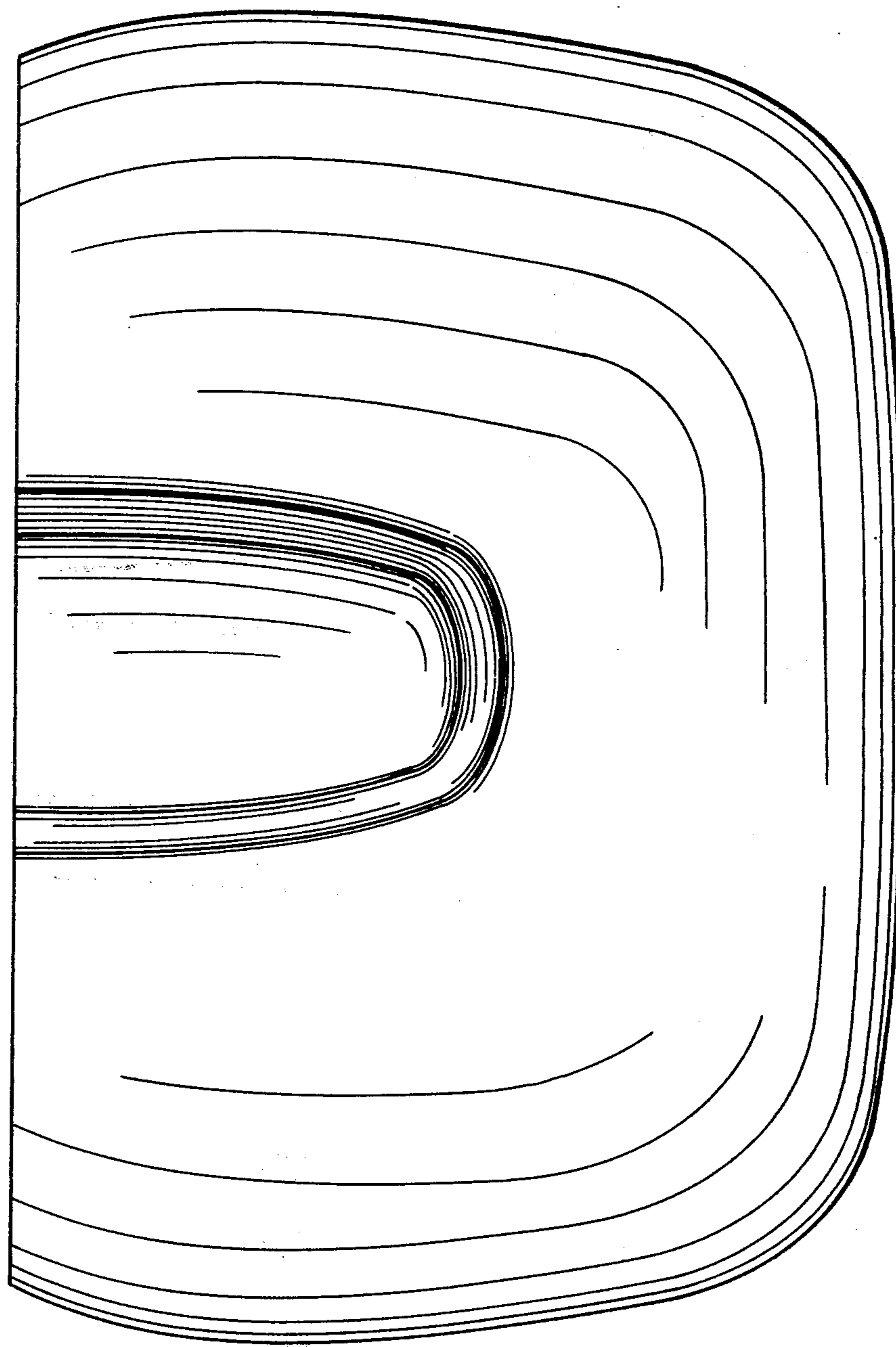


FIG. 4

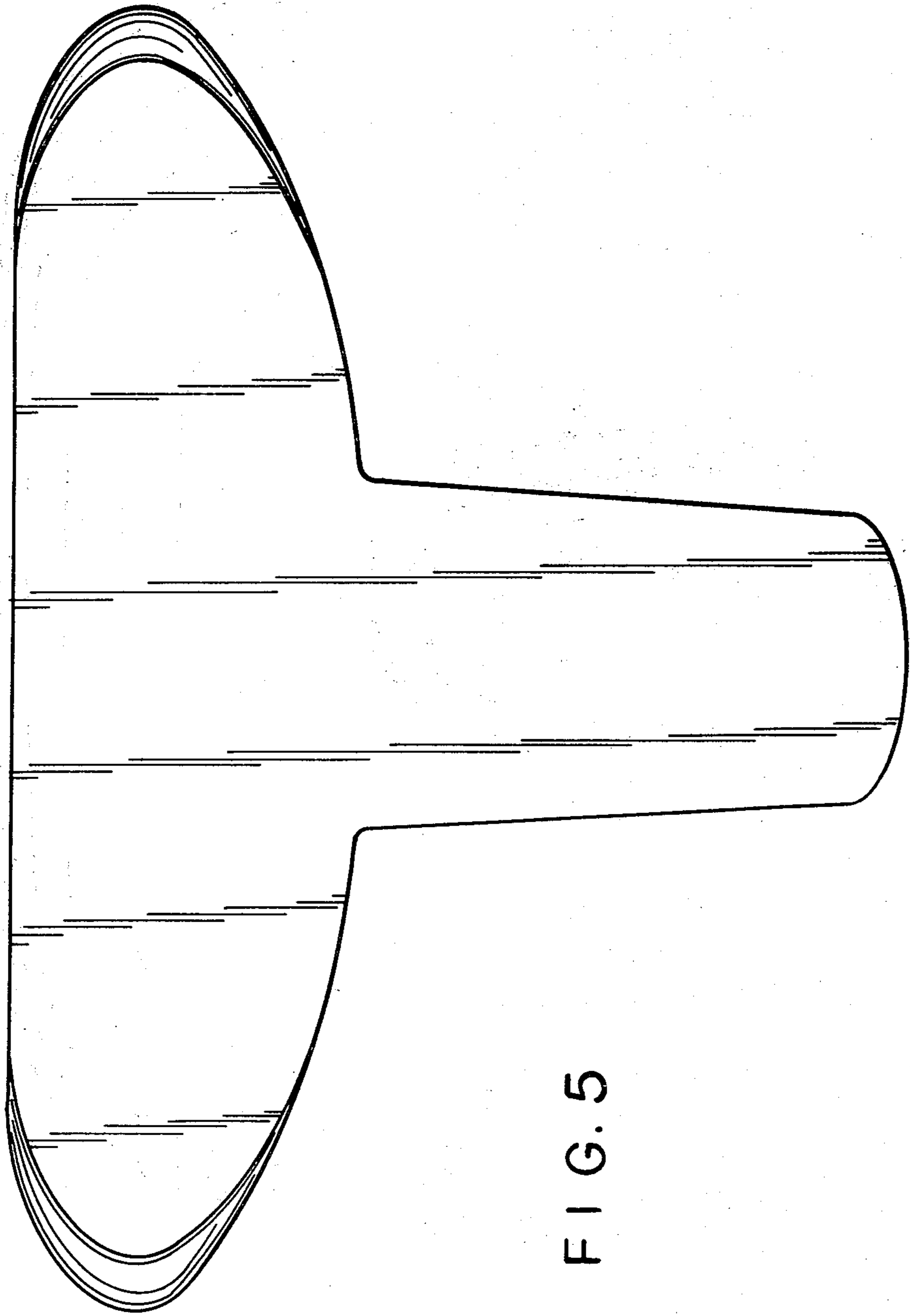


FIG. 5