

- [54] **FISHING REEL BAIL ARM**
- [75] Inventors: **Akinori Sakumoto; Kanji Iinuma,**
both of Tokyo, Japan
- [73] Assignee: **Daiwa Seiko, Inc.,** Tokyo, Japan
- [**] Term: **14 Years**
- [21] Appl. No.: **379,816**
- [22] Filed: **May 19, 1982**

[30] **Foreign Application Priority Data**

- Dec. 29, 1981 [JP] Japan 56-58707
- [52] U.S. Cl. **D22/25**
- [58] Field of Search 242/84.1 R, 84.2 R,
242/84.2 A, 84.2 G; D22/25

[56] **References Cited**

U.S. PATENT DOCUMENTS

- D. 230,591 3/1974 Underwood D22/25
- D. 235,014 4/1975 Miyakawa D22/25

3,693,901 9/1972 Lillard et al. 242/84.2 R

Primary Examiner—A. Hugo Word
Attorney, Agent, or Firm—Sughrue, Mion, Zinn,
Macpeak and Seas

[57] **CLAIM**

The ornamental design for a fishing reel bail arm, as shown and described.

DESCRIPTION

FIG. 1 is a left side elevational view of a fishing reel bail arm showing our new design;
FIG. 2 is a right side elevational view thereof;
FIG. 3 is a rear elevational view thereof;
FIG. 4 is a front elevational view thereof;
FIG. 5 is a top plan view thereof;
FIG. 6 is a bottom plan view thereof; and
FIG. 7 is a perspective view thereof as applied to a fishing reel.

The reel in FIG. 7 has been shown in broken lines for illustrative purposes only and forms no part of the claimed design.

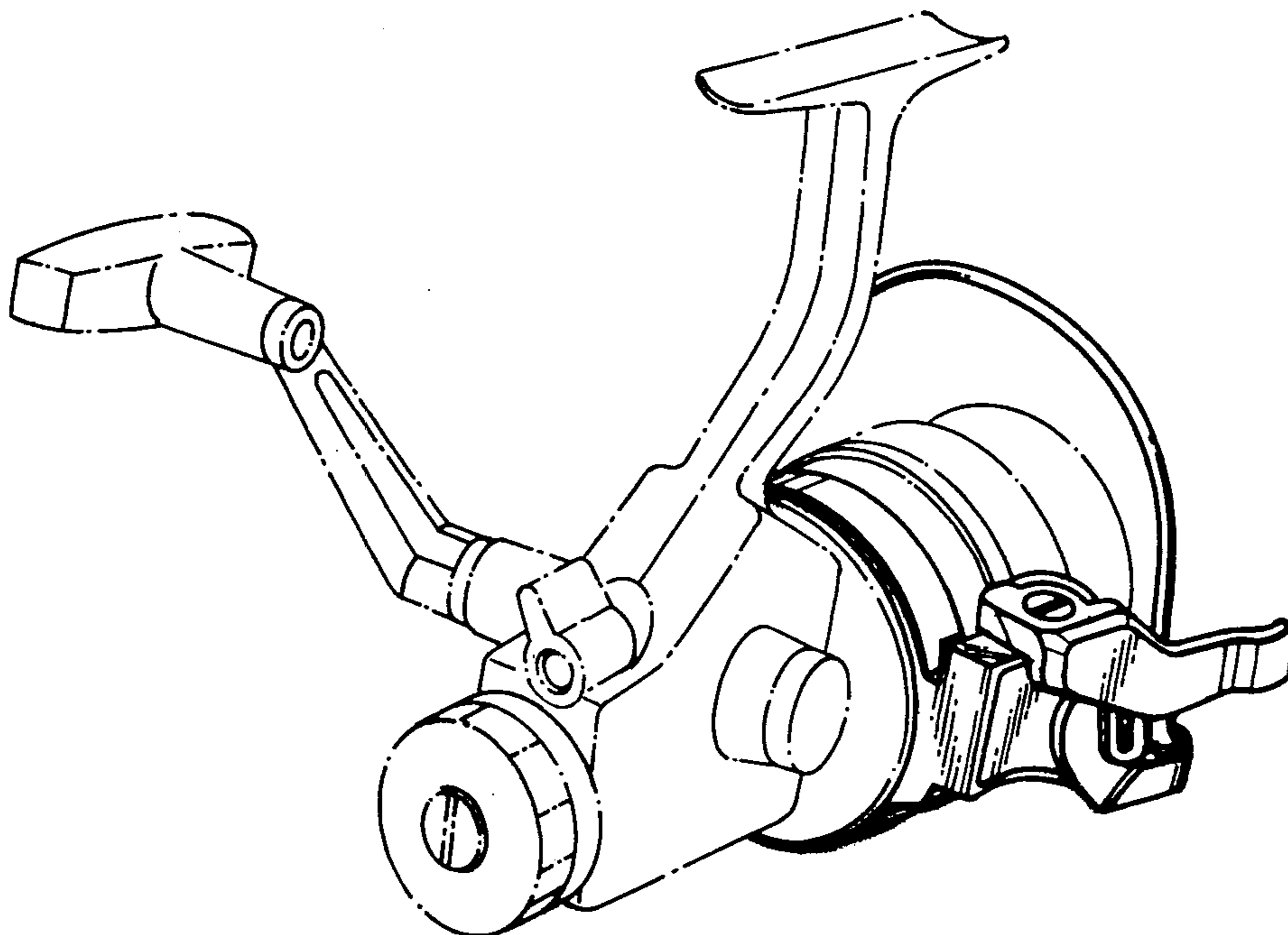


Fig. 1

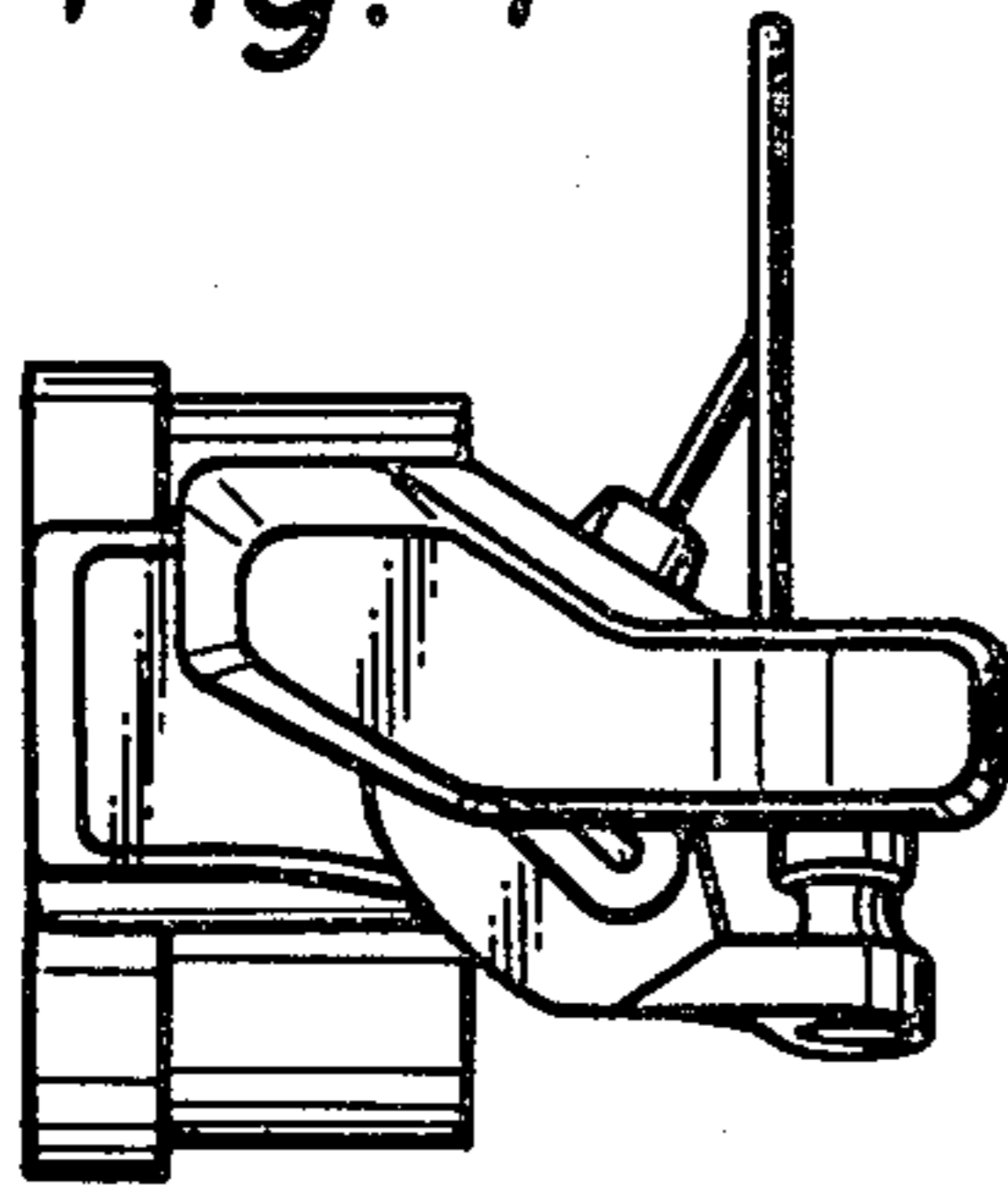


Fig. 2

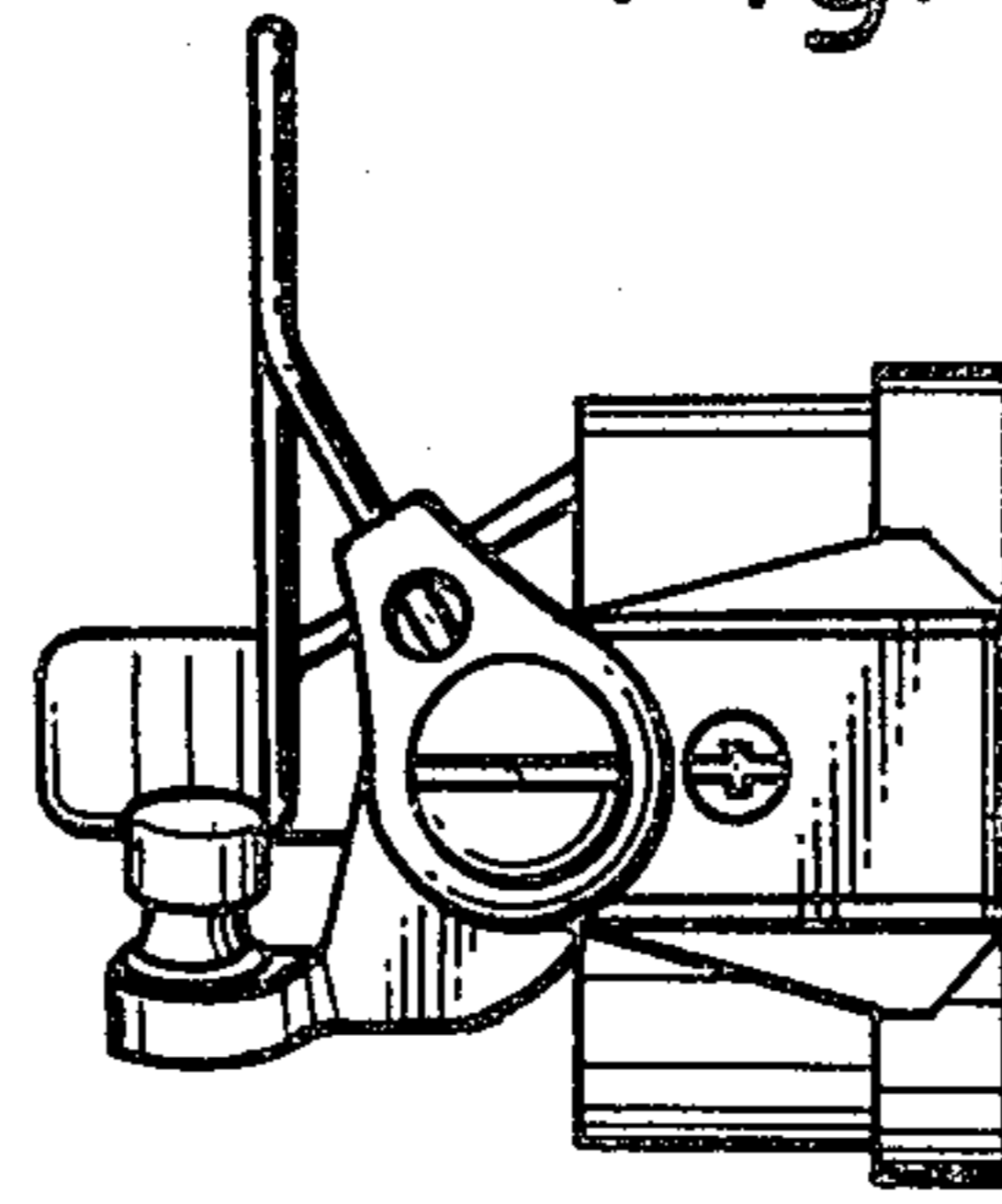


Fig. 3

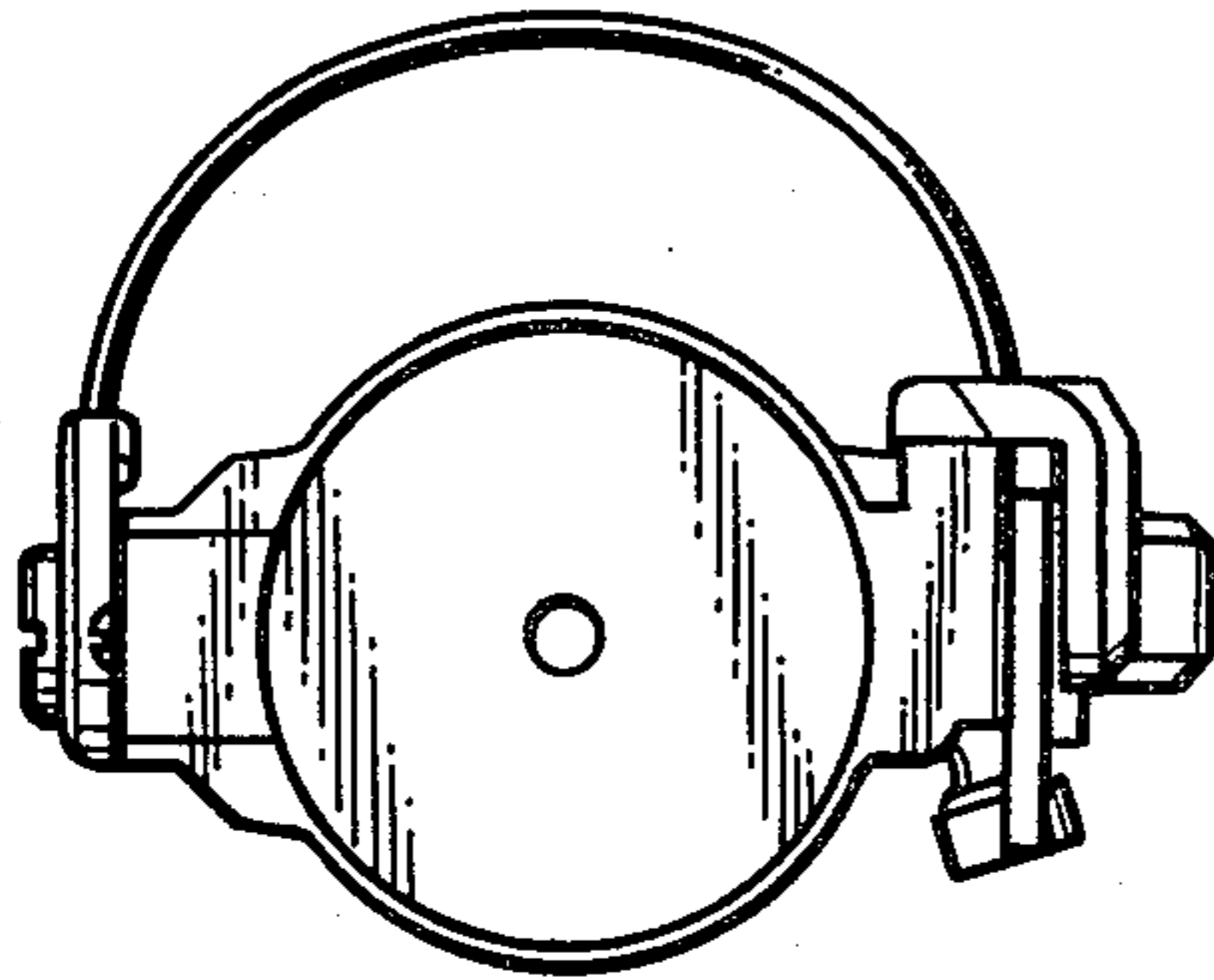


Fig. 4

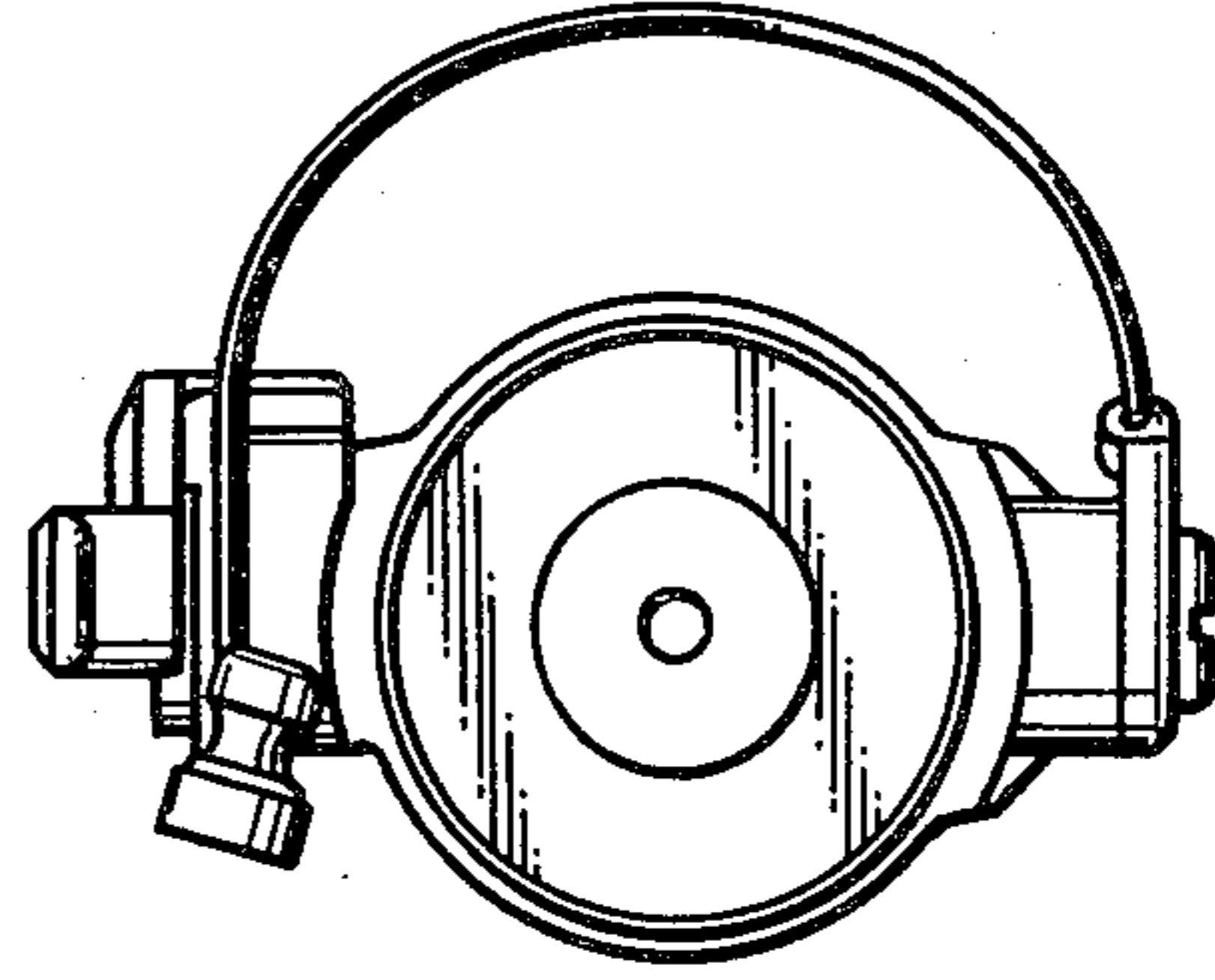


Fig. 5

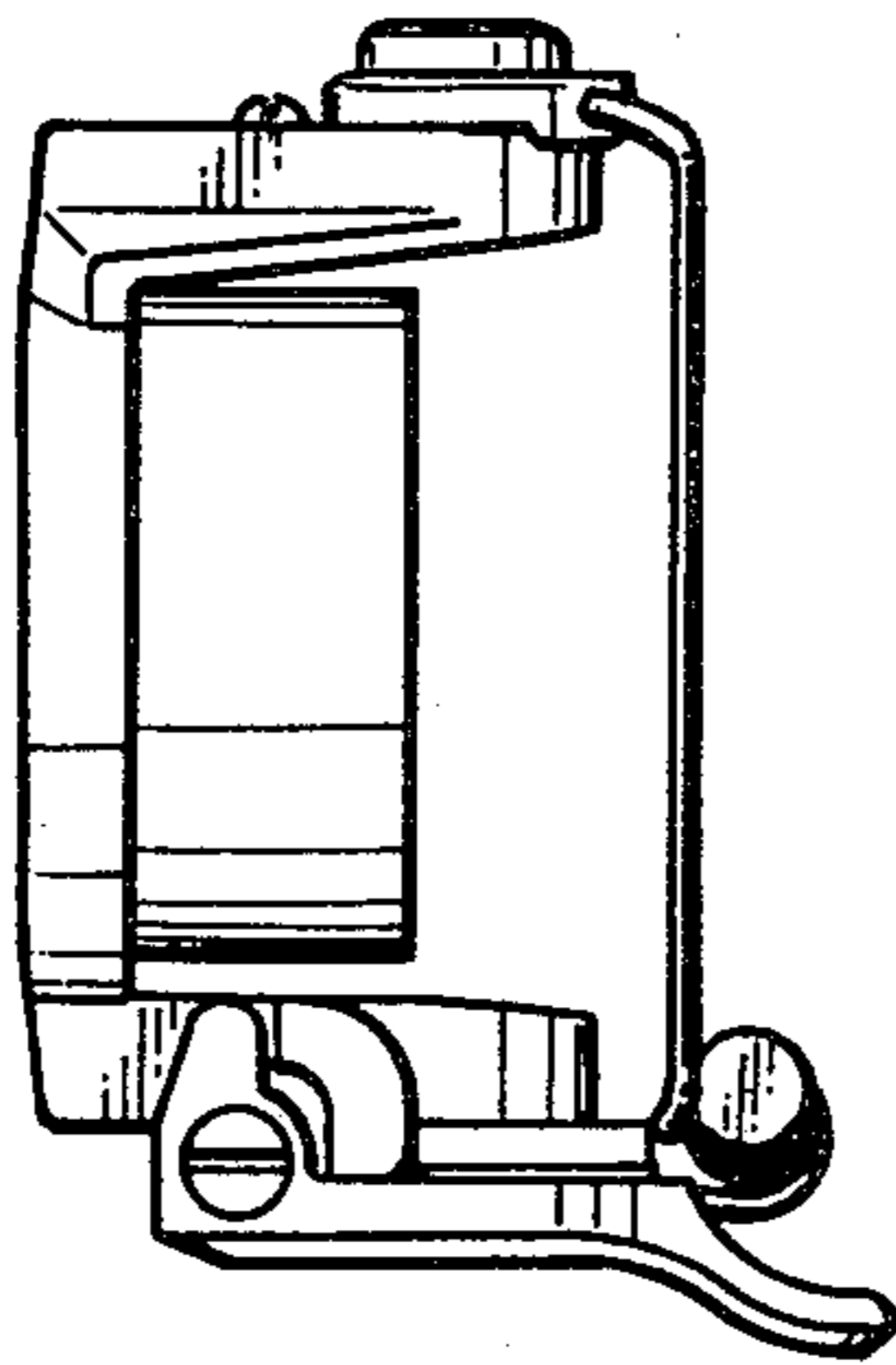


Fig. 6

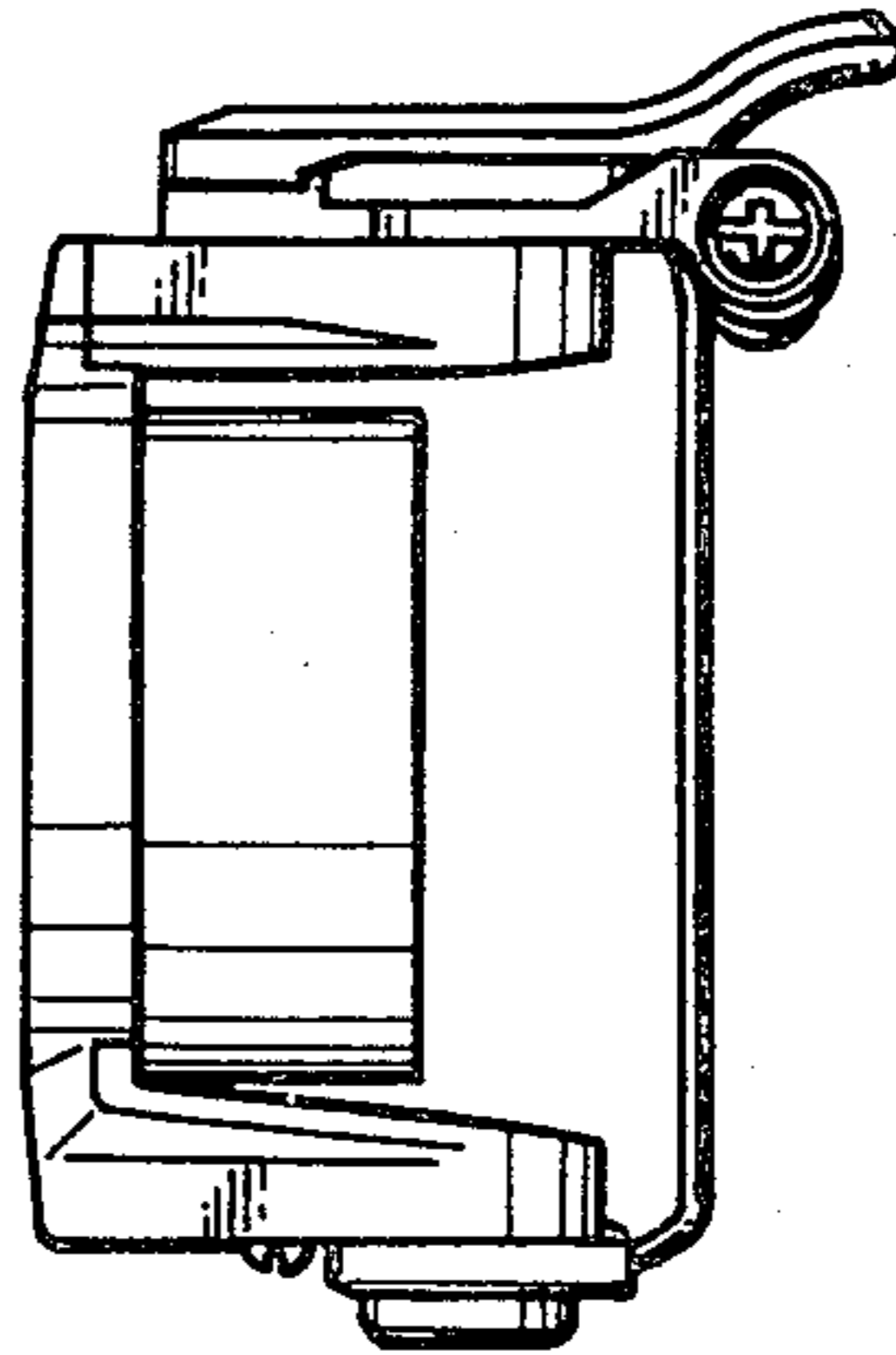


Fig. 7

