

[54] **FISHING REEL**

[75] Inventor: **John J. Mack**, Tulsa, Okla.
[73] Assignee: **Brunswick Corporation**, Skokie, Ill.
[**] Term: **14 Years**
[21] Appl. No.: **399,591**
[22] Filed: **Jul. 22, 1982**
[52] U.S. Cl. **D22/25**
[58] Field of Search **242/84.1 R, 84.2 R,
242/84.2 A; D22/25, 26**

[56] **References Cited**

U.S. PATENT DOCUMENTS

4,353,514 10/1982 Neufels 242/84.2 A
4,361,293 11/1982 Baenziger 242/84.2 R
4,386,742 6/1983 Moss et al. 242/84.2 R

Primary Examiner—A. Hugo Word
Attorney, Agent, or Firm—John G. Heimovics

[57] **CLAIM**

The ornamental design of a fishing reel, as shown and described.

DESCRIPTION

FIG. 1 is a perspective view of a front and side portion of the fishing reel showing my new design;
FIG. 2 is a back elevation view thereof;
FIG. 3 is a front elevation view thereof;
FIG. 4 is a bottom plan view thereof;
FIG. 5 is a top plan view thereof;
FIG. 6 is a side elevation view of a side of the fishing reel showing the crank handle and star drag on the right-hand side;
FIG. 7 is a side elevation view of the left-hand side of the fishing reel;
FIG. 8 is a perspective view of a front and side portion of the fishing reel showing my new design with the crank handle located on the left-hand side of the fishing reel;
FIG. 9 is a side elevation view of my new design of a fishing reel with the crank handle depicted as being on the left-hand side of the fishing reel;
FIG. 10 is a side elevation view of another embodiment showing my design for a new fishing reel where the crank handle is on the right-hand side and the line guide hole in the front of the reel is enlarged; and,
FIG. 11 is a front elevation view of the embodiment shown in FIG. 10.

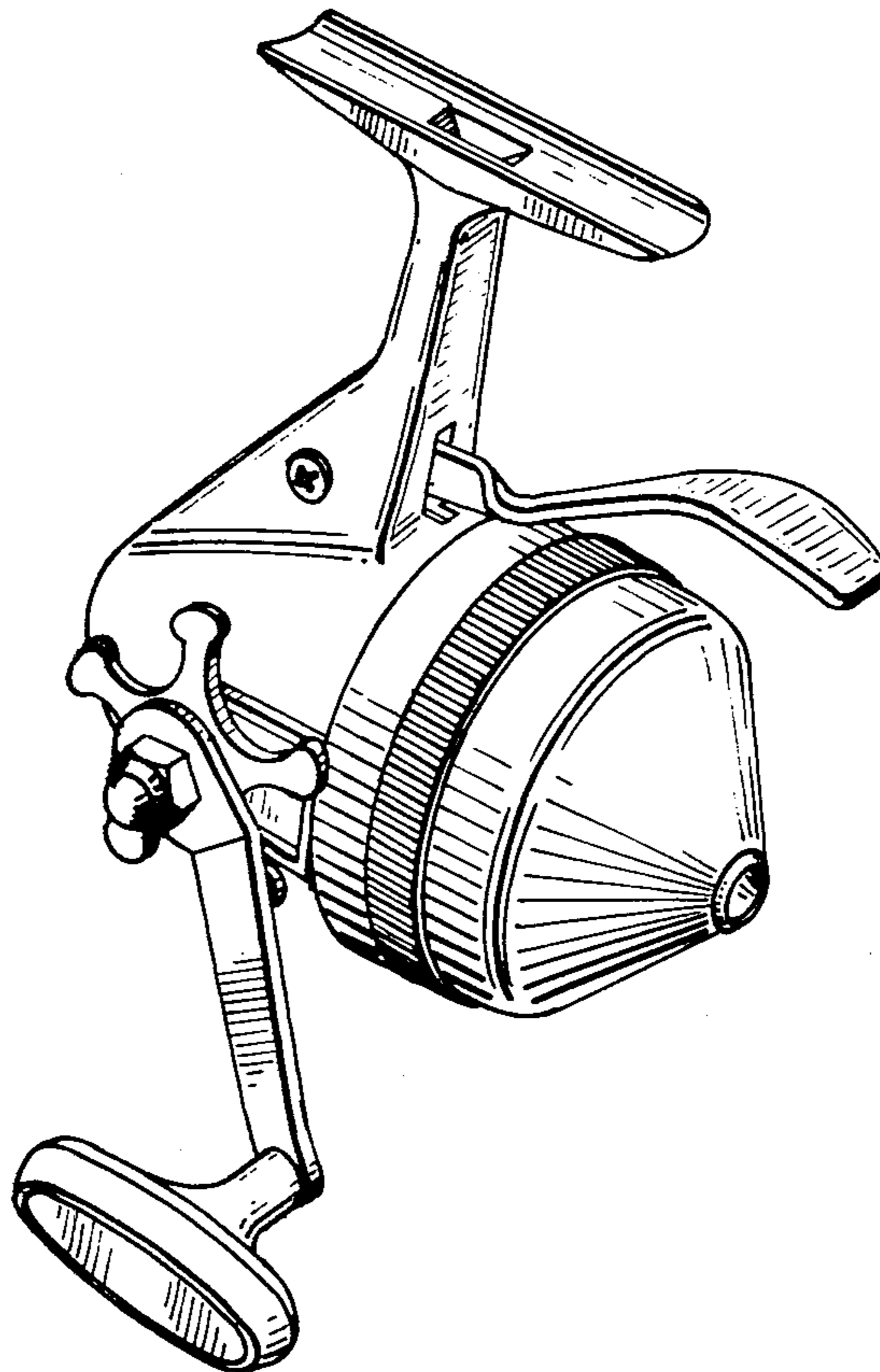


FIG. 1

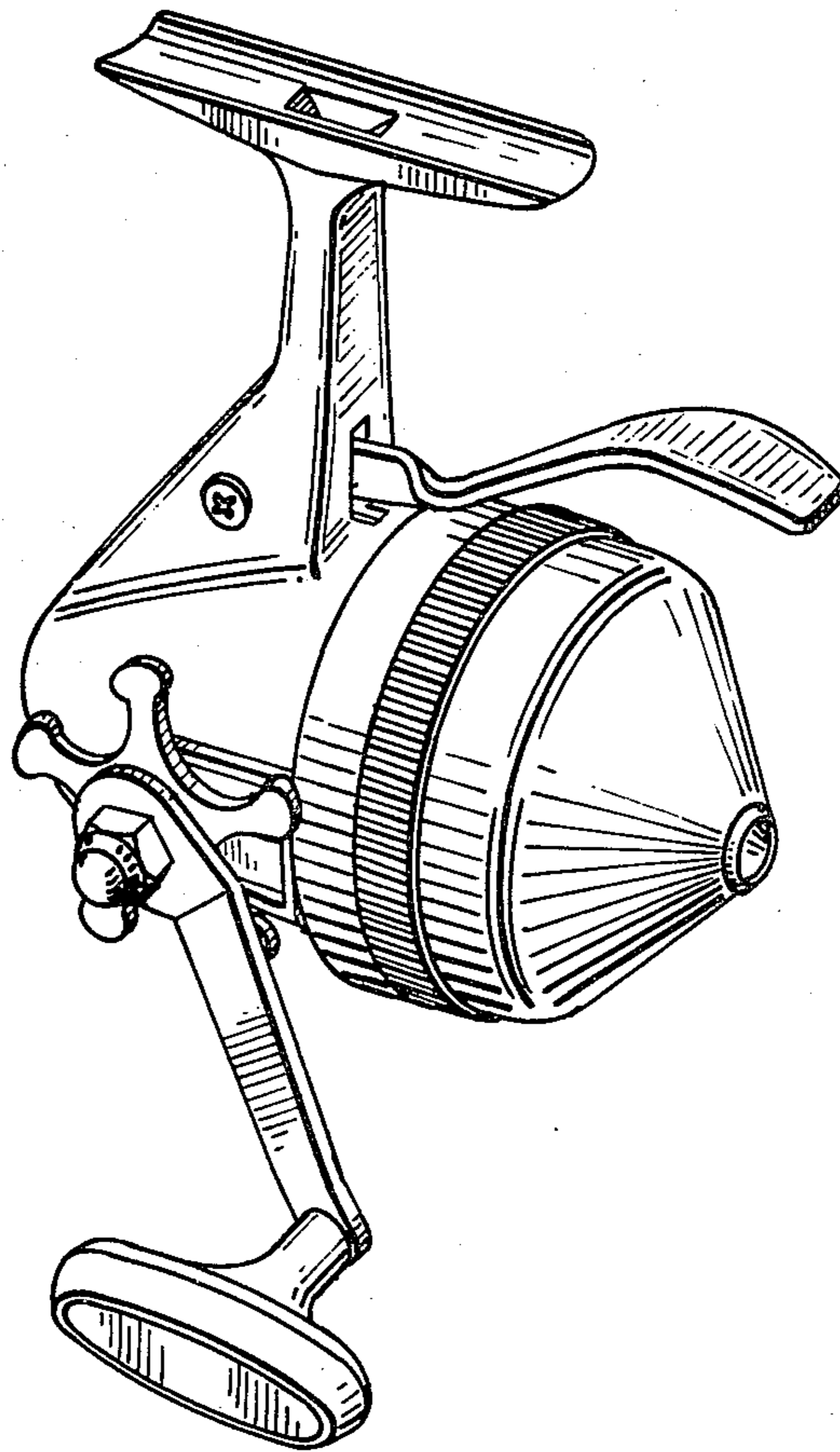


FIG. 2

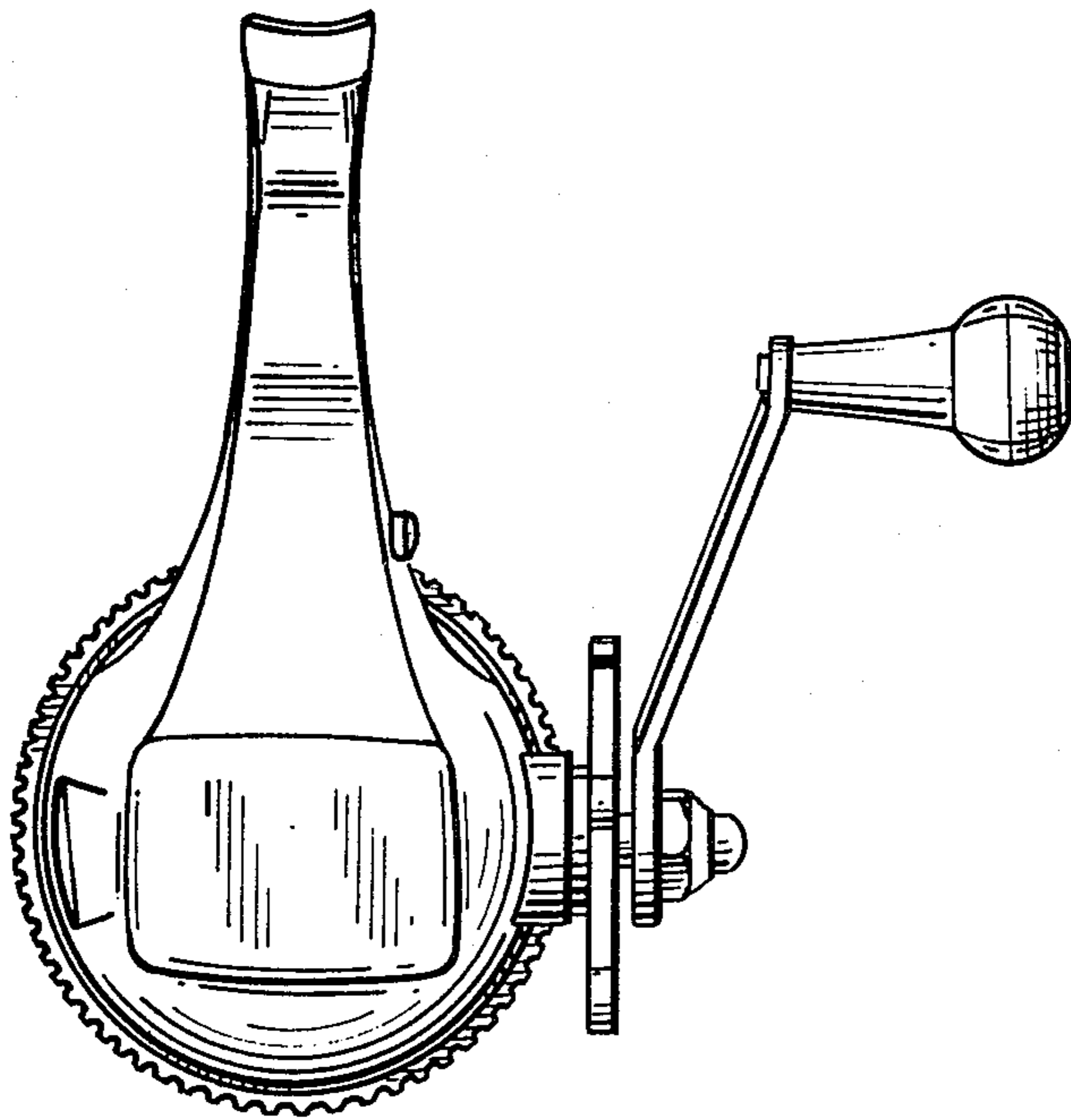


FIG. 3

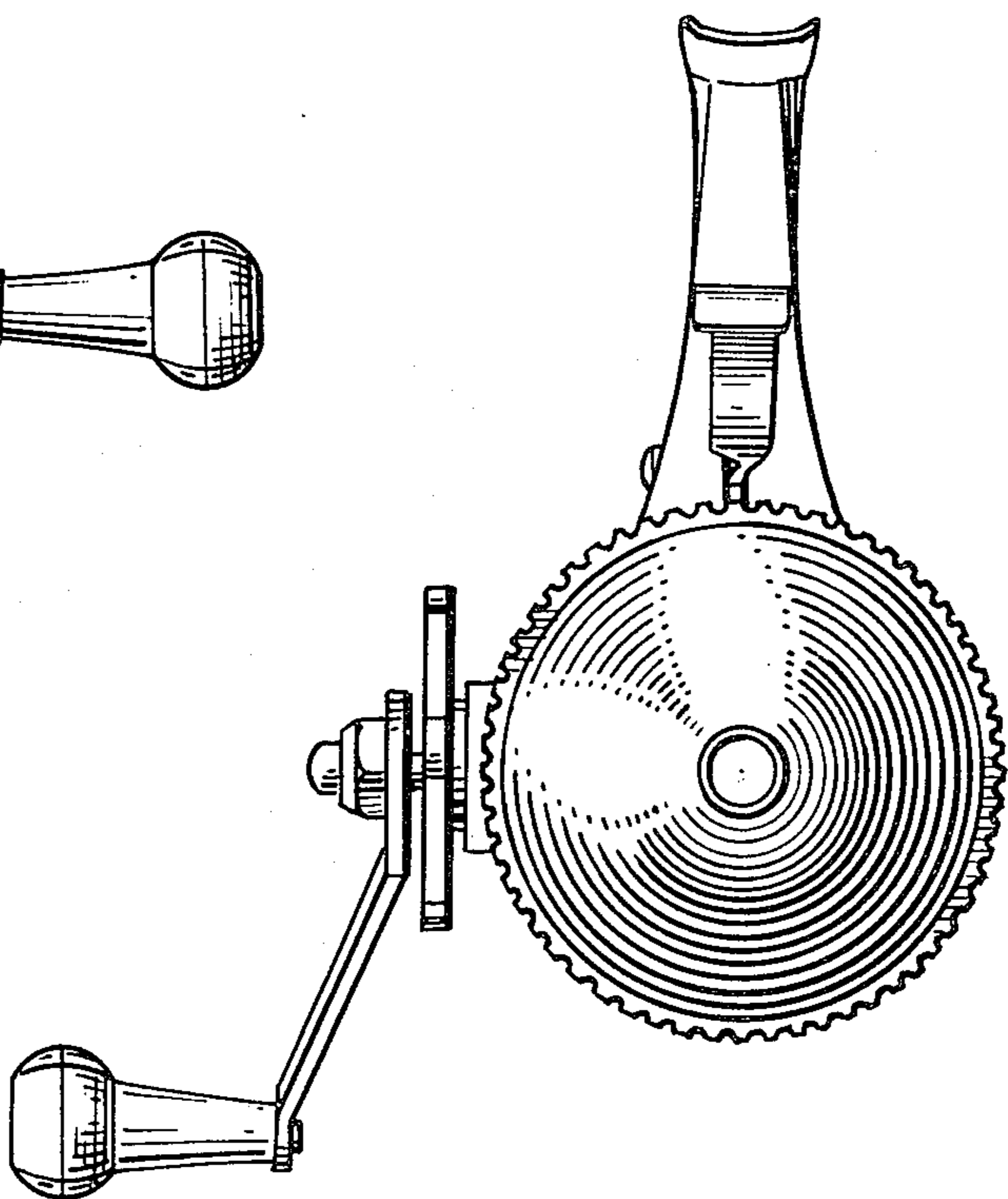


FIG. 4

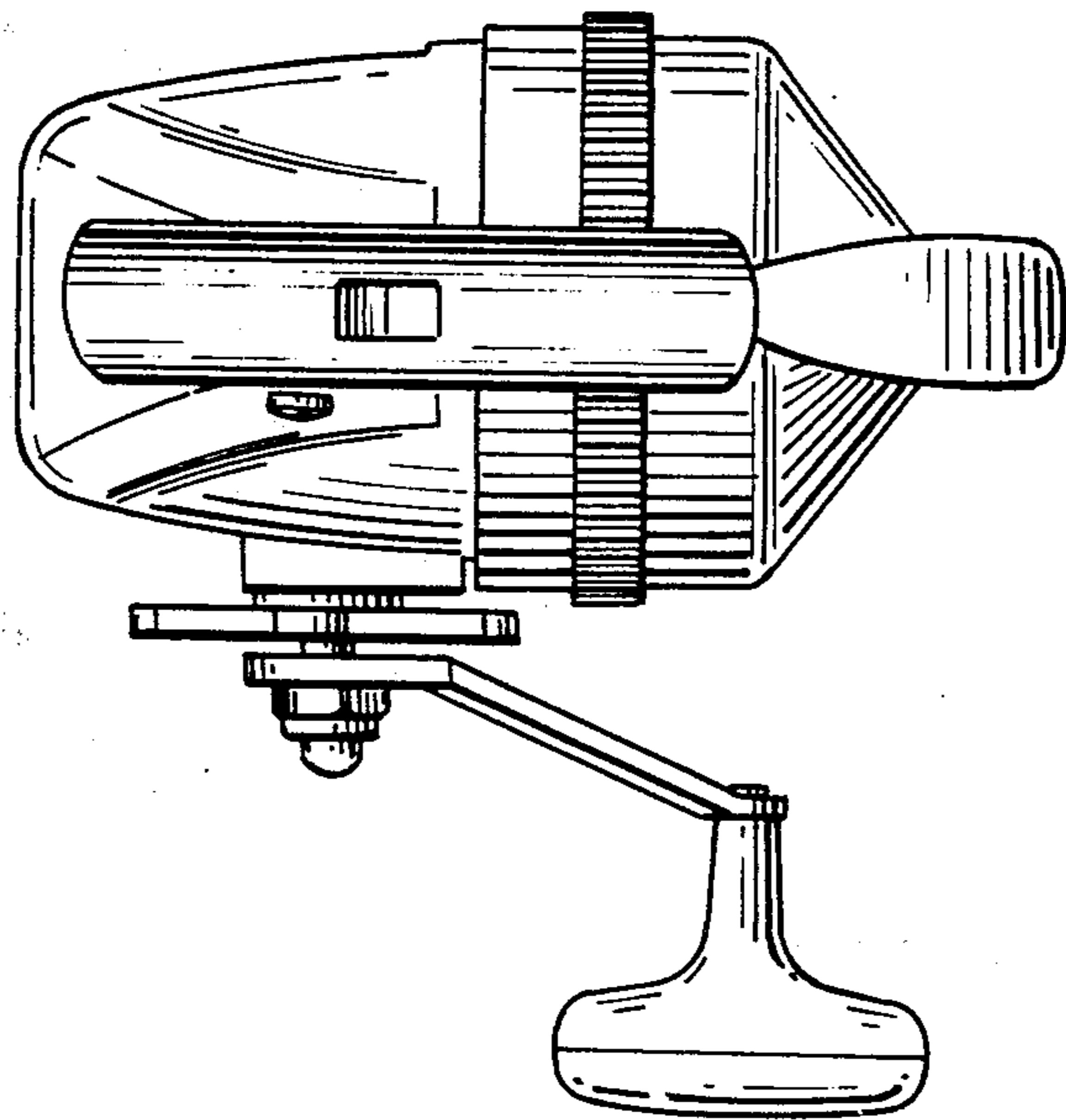


FIG. 5

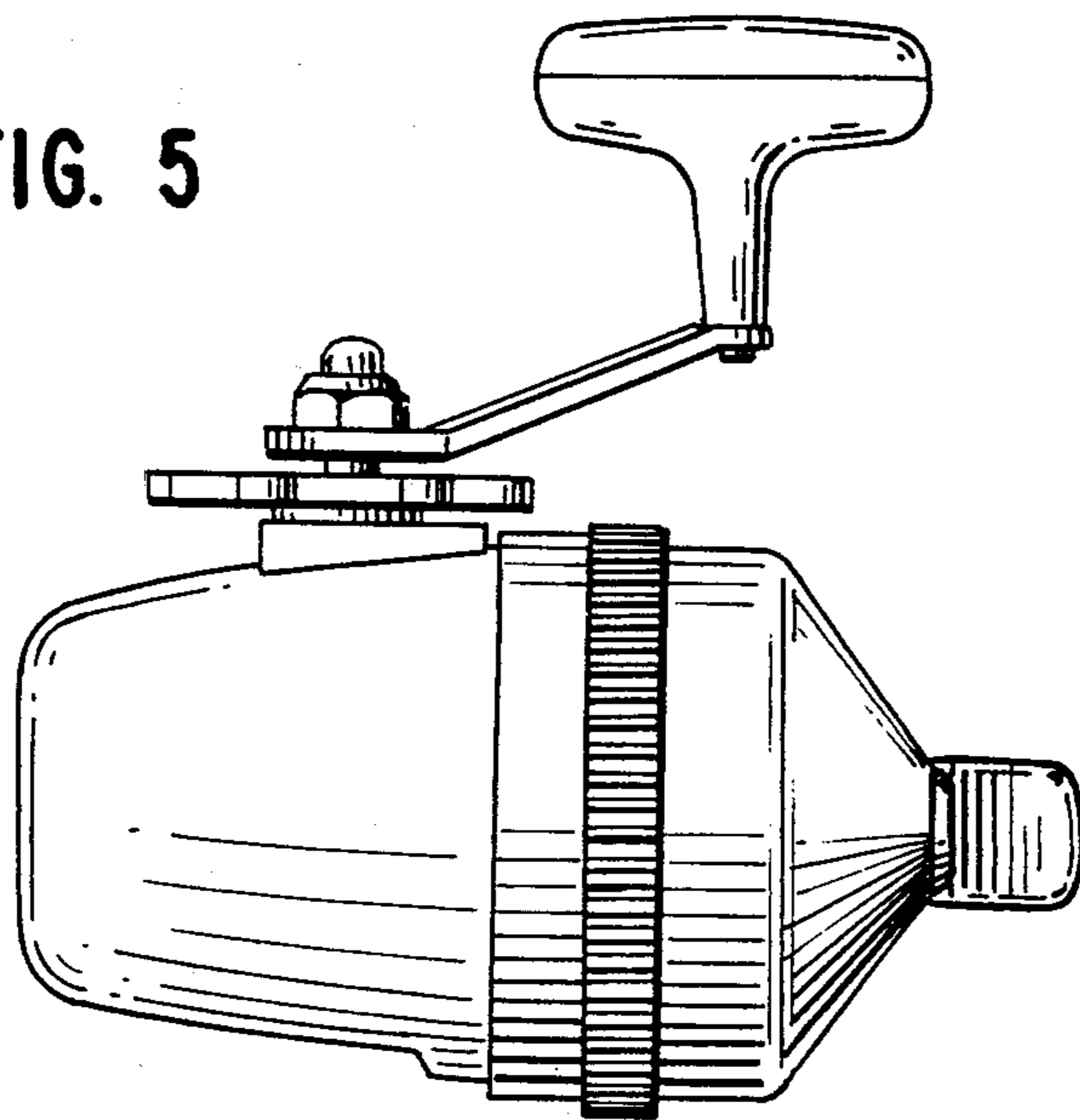


FIG. 6

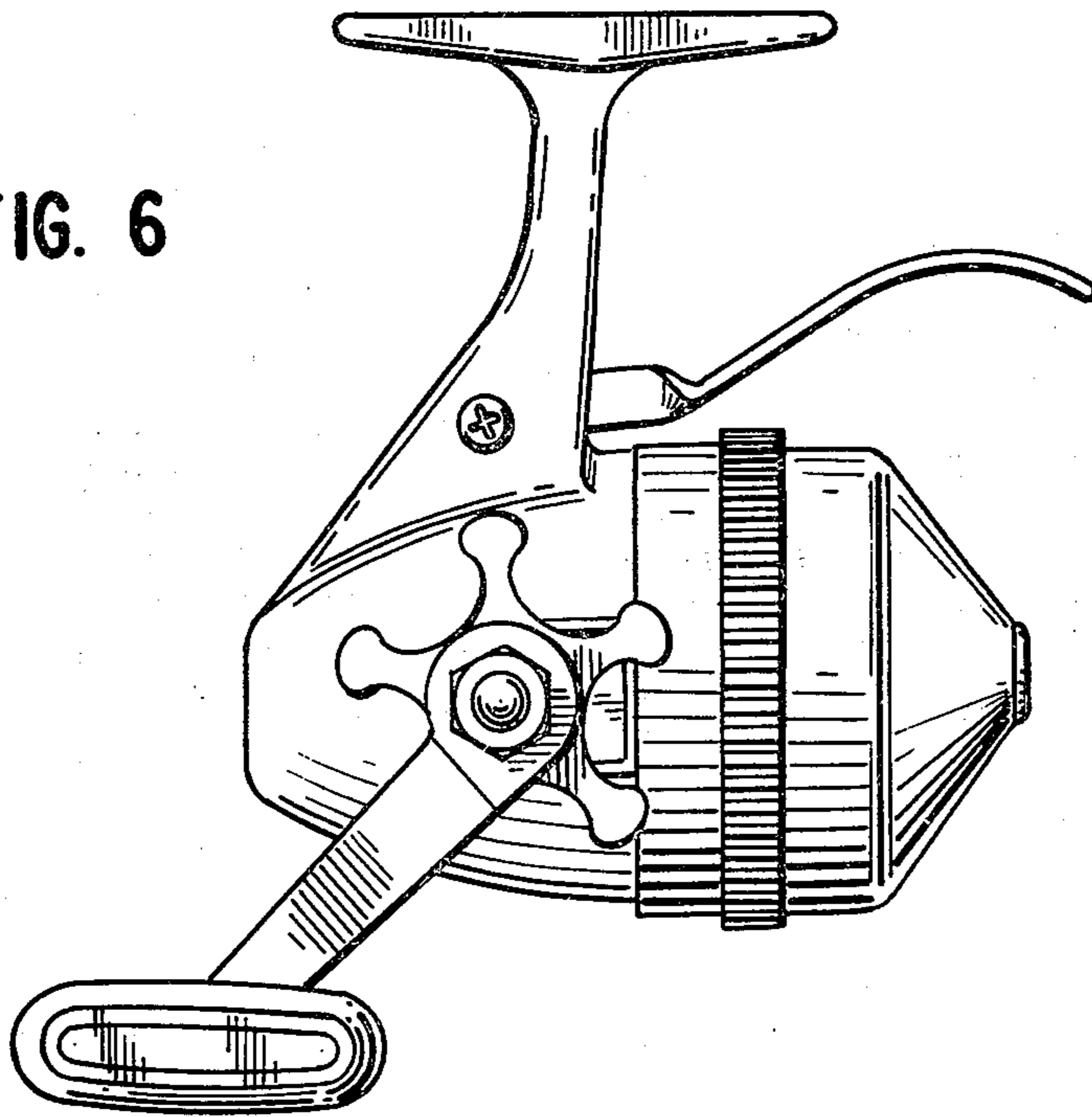


FIG. 7

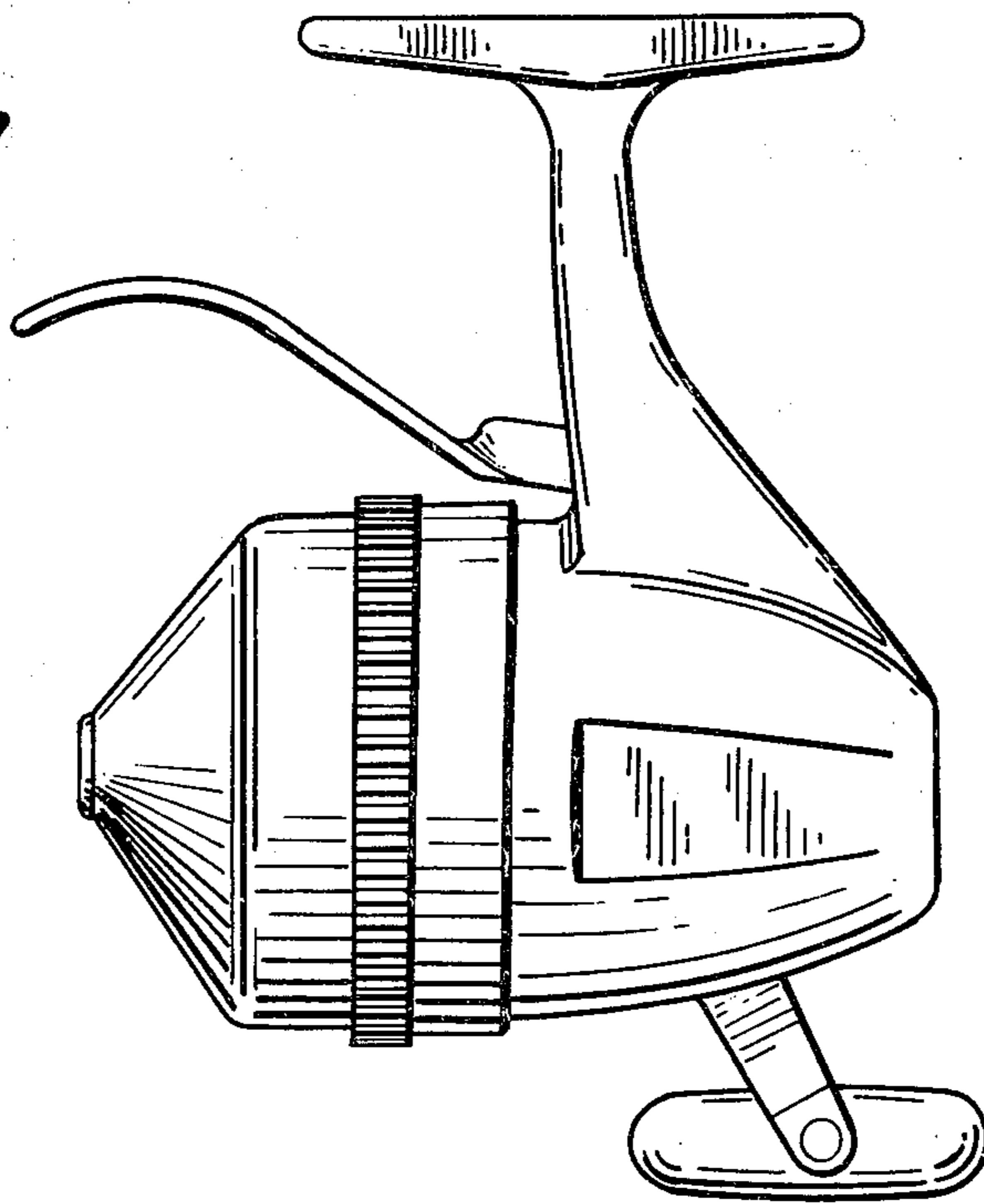


FIG. 8

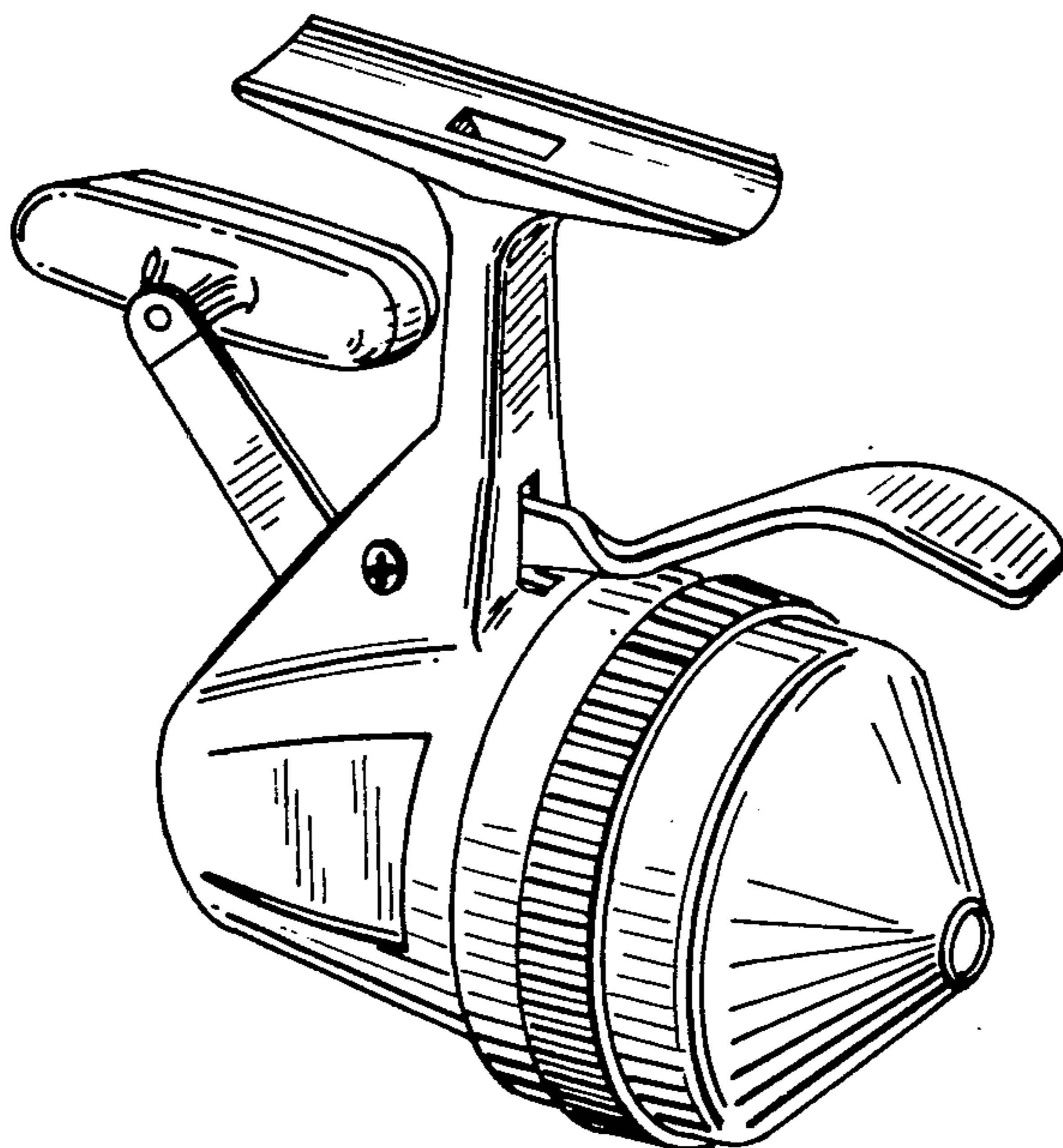


FIG. 9

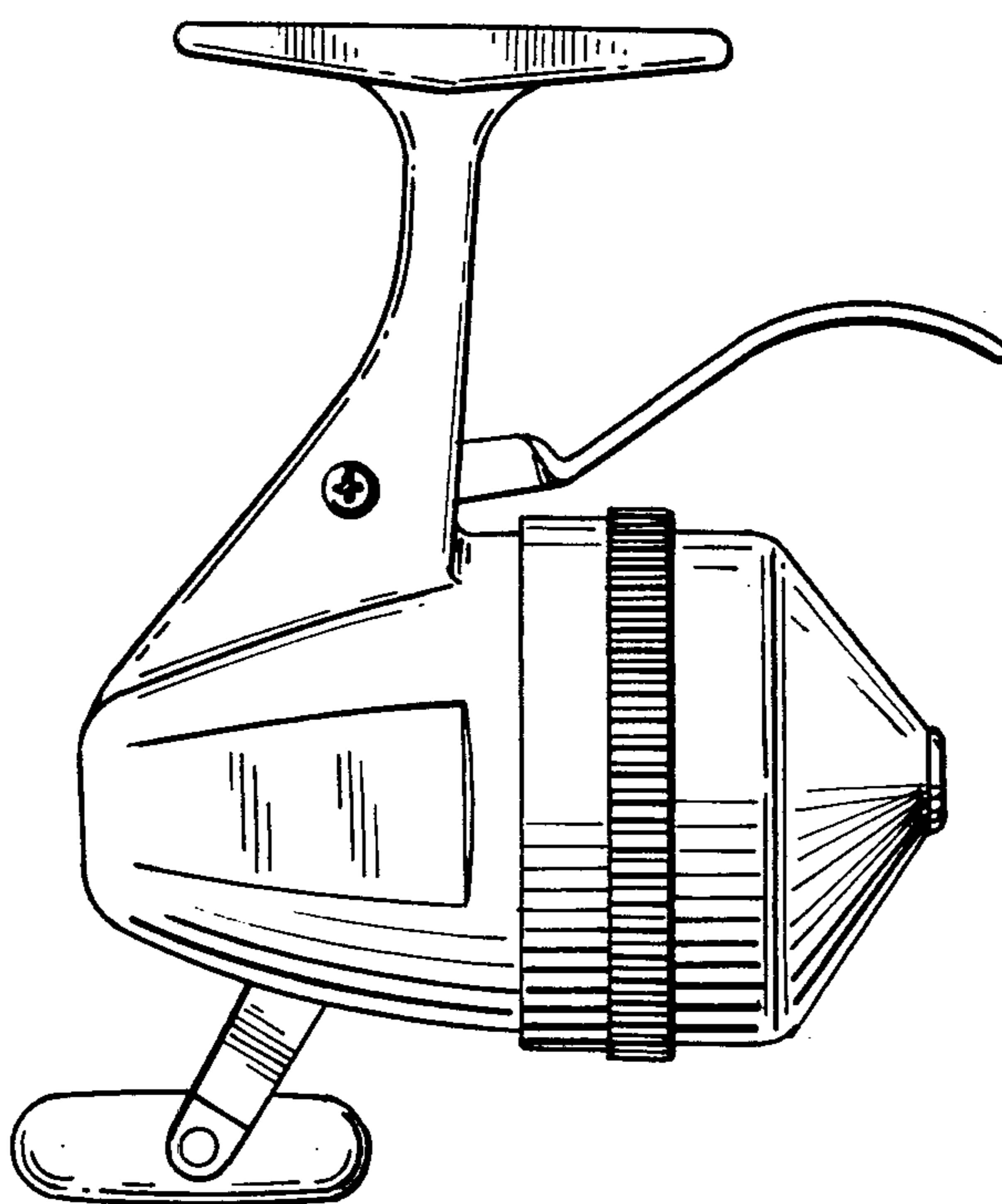


FIG. 10

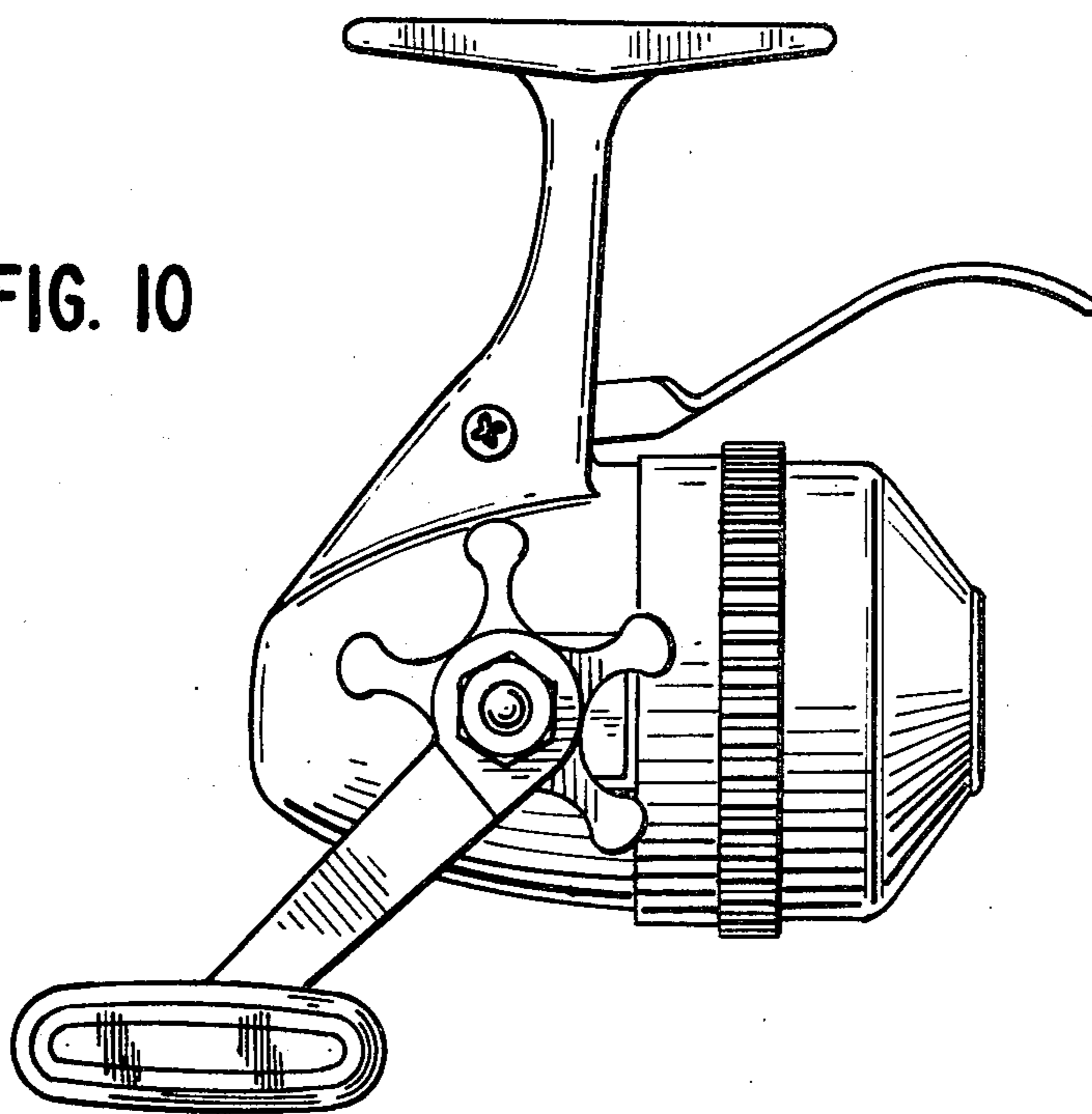


FIG. 11

