

[54] T-SHAPED FISHING REEL HOLDER

2,474,343	6/1949	Burden	224/922 X
2,781,958	2/1957	Lewandowski	224/922 X
3,653,144	4/1972	Rocka	43/54.5 R

[75] Inventor: Walter L. Hitchens, Knoxville, Tenn.

[73] Assignee: Commercial Plastics & Supply Co., Inc., Cornwells Heights, Pa.

Primary Examiner—A. Hugo Word
Attorney, Agent, or Firm—John J. Simkanich

[**] Term: 14 Years

[57] CLAIM

[21] Appl. No.: 196,896

The ornamental design for a T-shaped fishing reel holder, as shown and described.

[22] Filed: Oct. 14, 1980

[52] U.S. Cl. D22/13

DESCRIPTION

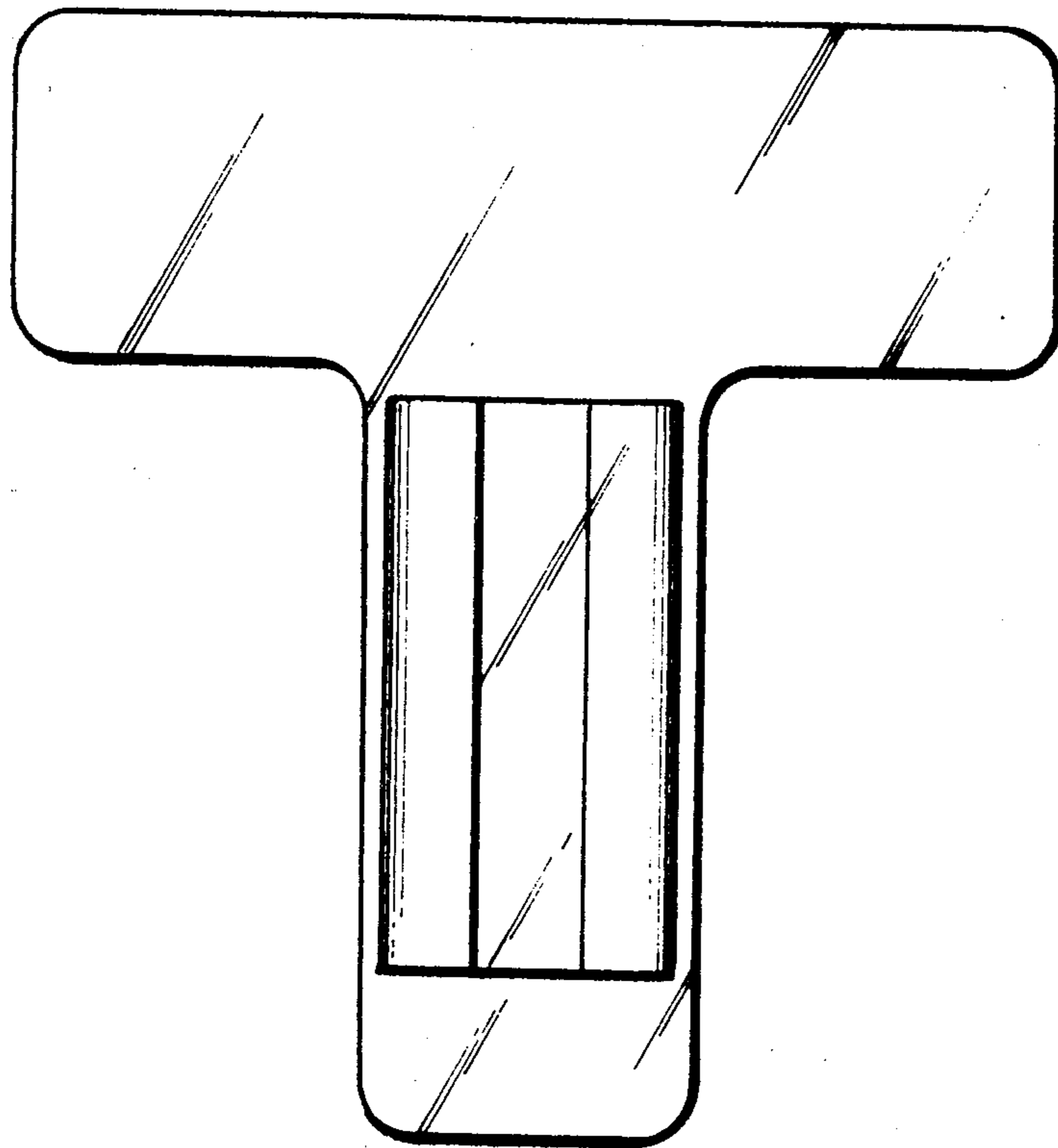
[58] Field of Search 43/22, 21.2, 54.5 R, 43/4; 224/922; D22/13, 14, 23, 25

FIG. 1 is a front elevation view of a fishing reel holder showing my design;
FIG. 2 is a side elevation view of the fishing reel holder shown in FIG. 1; and,
FIG. 3 is a bottom view of the fishing reel holder shown in FIG. 1.

[56] References Cited

U.S. PATENT DOCUMENTS

D. 237,072 10/1975 Muehl et al. D22/13



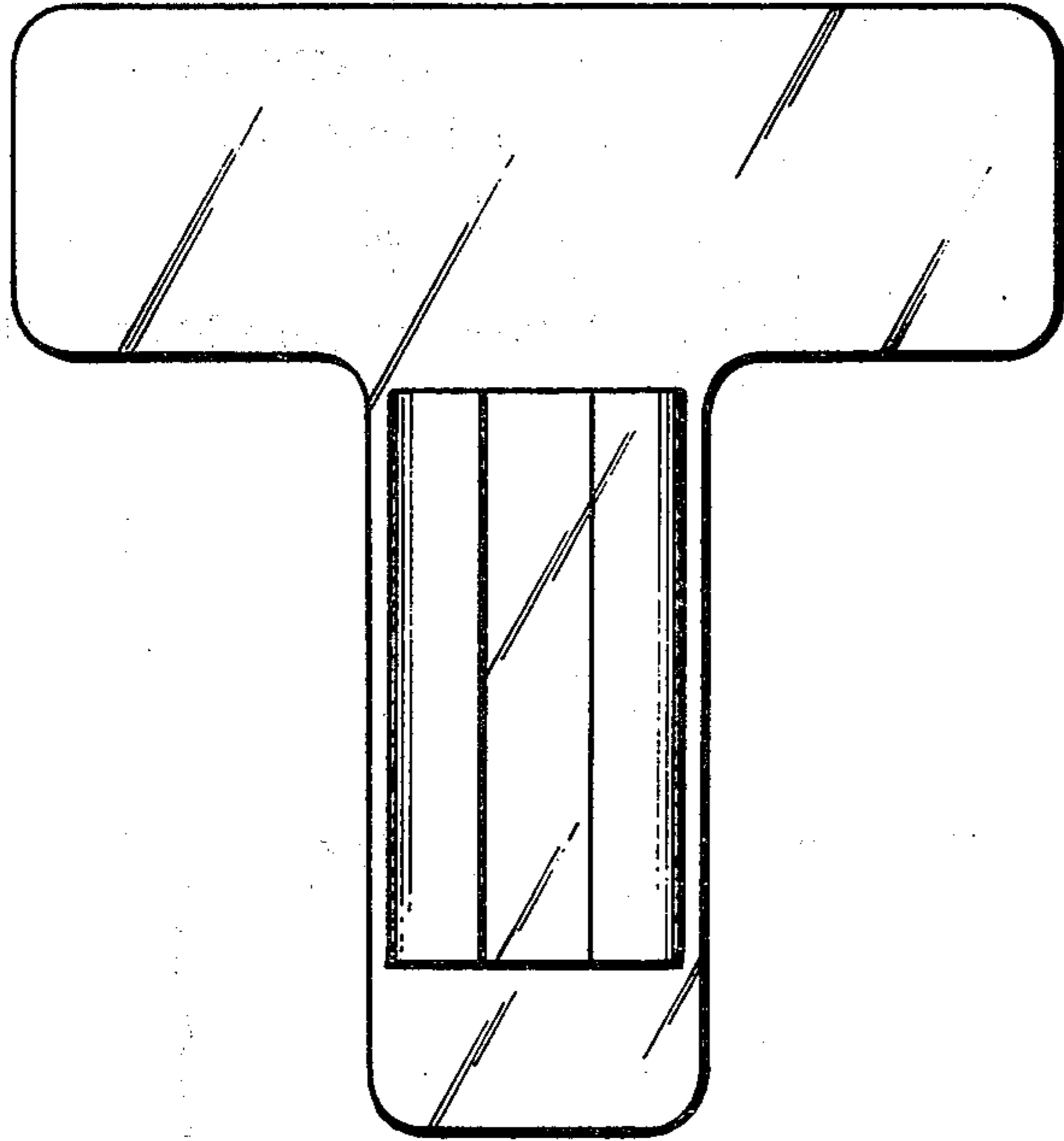


FIG. 1.



FIG. 3.

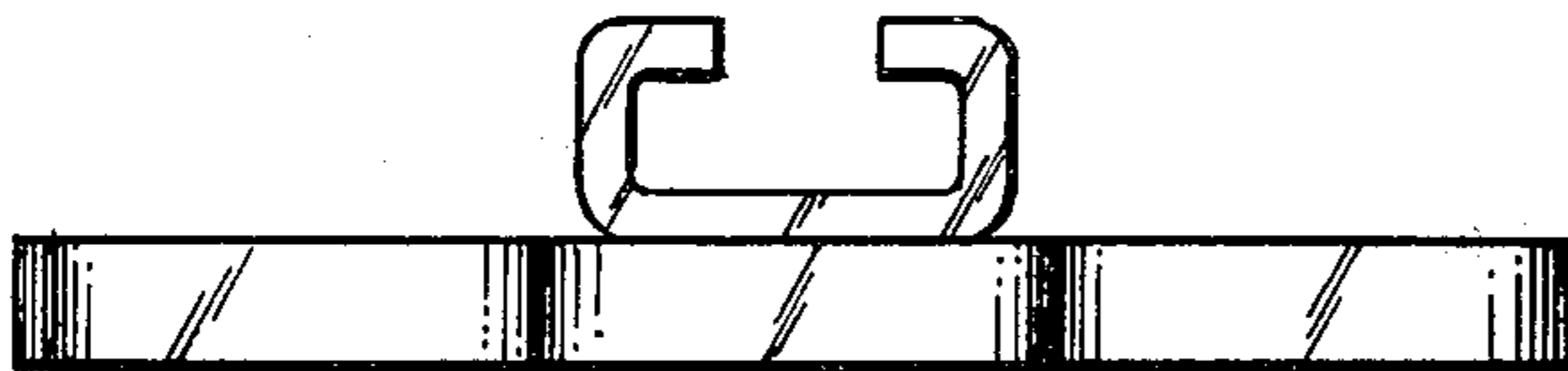


FIG. 2.