

[54] DISPENSER FOR PLAYING CARDS OR THE LIKE

1,843,692 2/1932 McDonald 273/148 A
2,501,402 3/1950 McGuire 211/51

[76] Inventor: Stephen J. Fromm, 533 N. Shore Rd., Absecon, N.J. 08201

FOREIGN PATENT DOCUMENTS

1050106 1/1954 France 273/148 A
480881 3/1953 Italy 273/149 R

[**] Term: 14 Years

Primary Examiner—George P. Word
Attorney, Agent, or Firm—Thomas C. Naber

[21] Appl. No.: 263,213

[57] CLAIM

[22] Filed: May 13, 1981

The ornamental design for a dispenser for playing cards or the like, as shown and described.

[52] U.S. Cl. D21/57; D19/91

[58] Field of Search D21/54, 57, 58; D19/20, D19/22, 75-78, 86, 87, 92; 273/148 A, 149 R; 221/255, 151, 152; 211/14, 15, 49 D, 51, 11, 461, 62

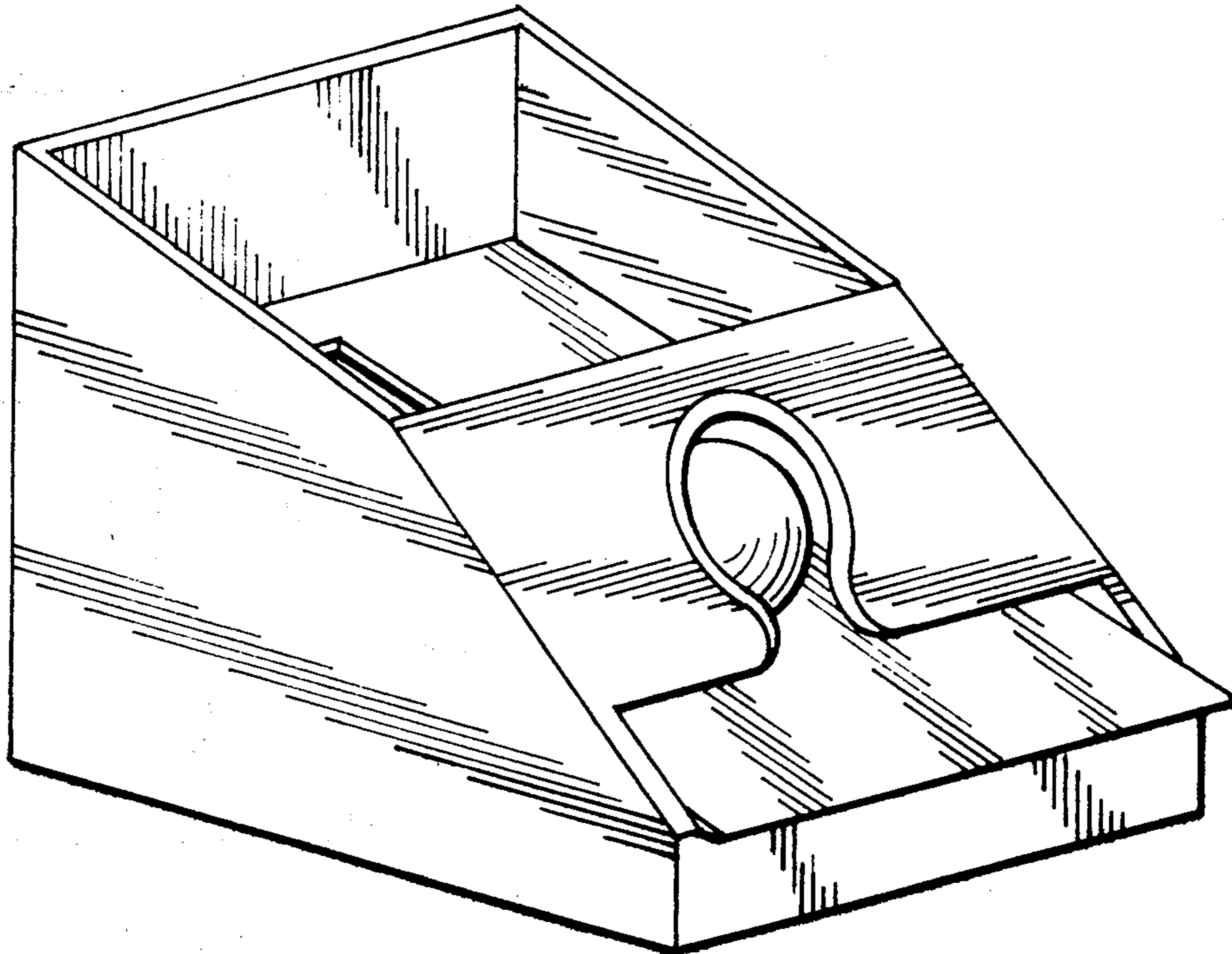
DESCRIPTION

FIG. 1 is a perspective view of a dispenser for playing cards or the like showing my new design; FIG. 2 is a top plan view thereof; and FIG. 3 is a left side elevational view thereof. The rear, bottom, and right sides are plain and unornamented.

[56] References Cited

U.S. PATENT DOCUMENTS

D. 195,342 6/1963 Russell D21/54



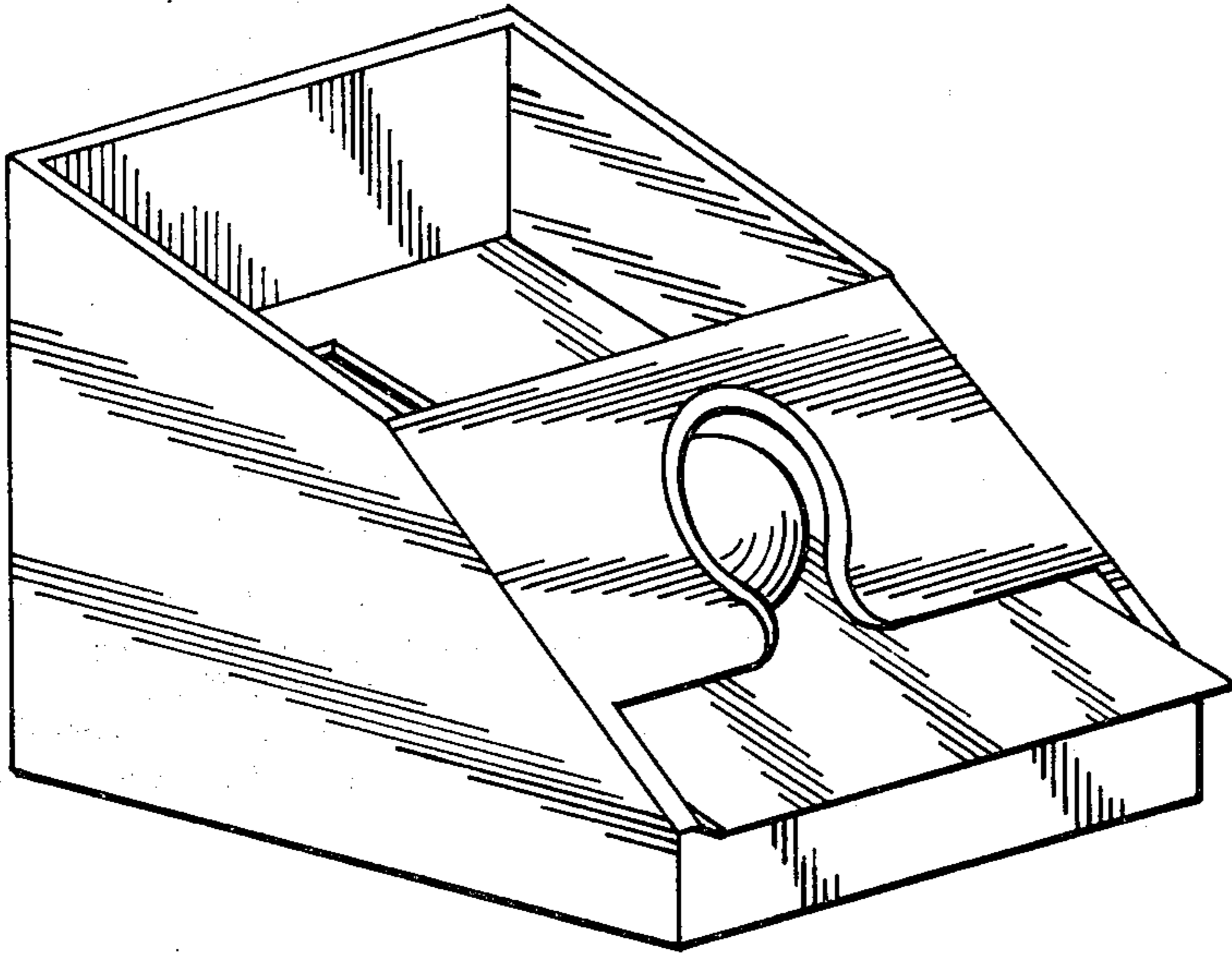


FIG. 1

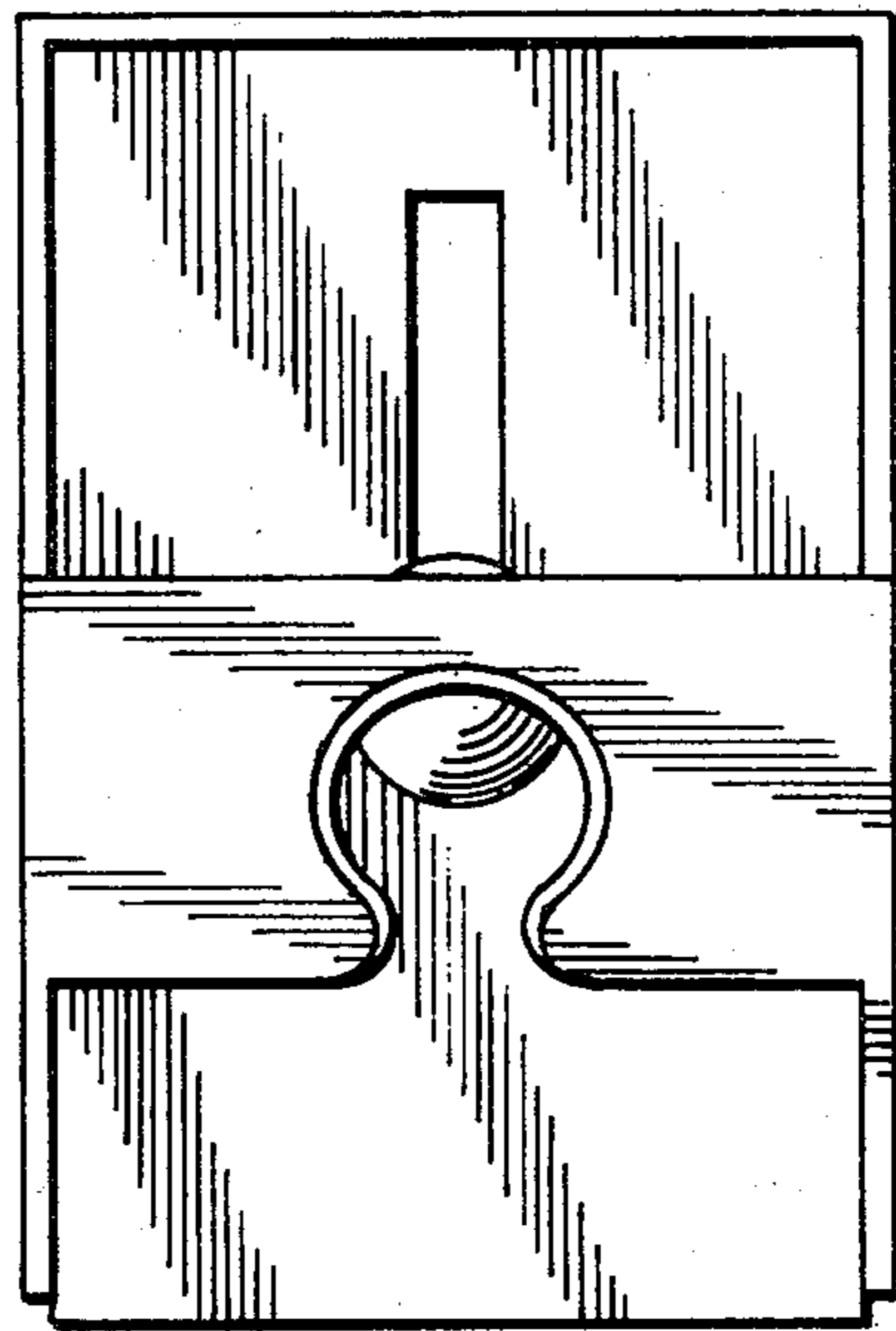


FIG. 2

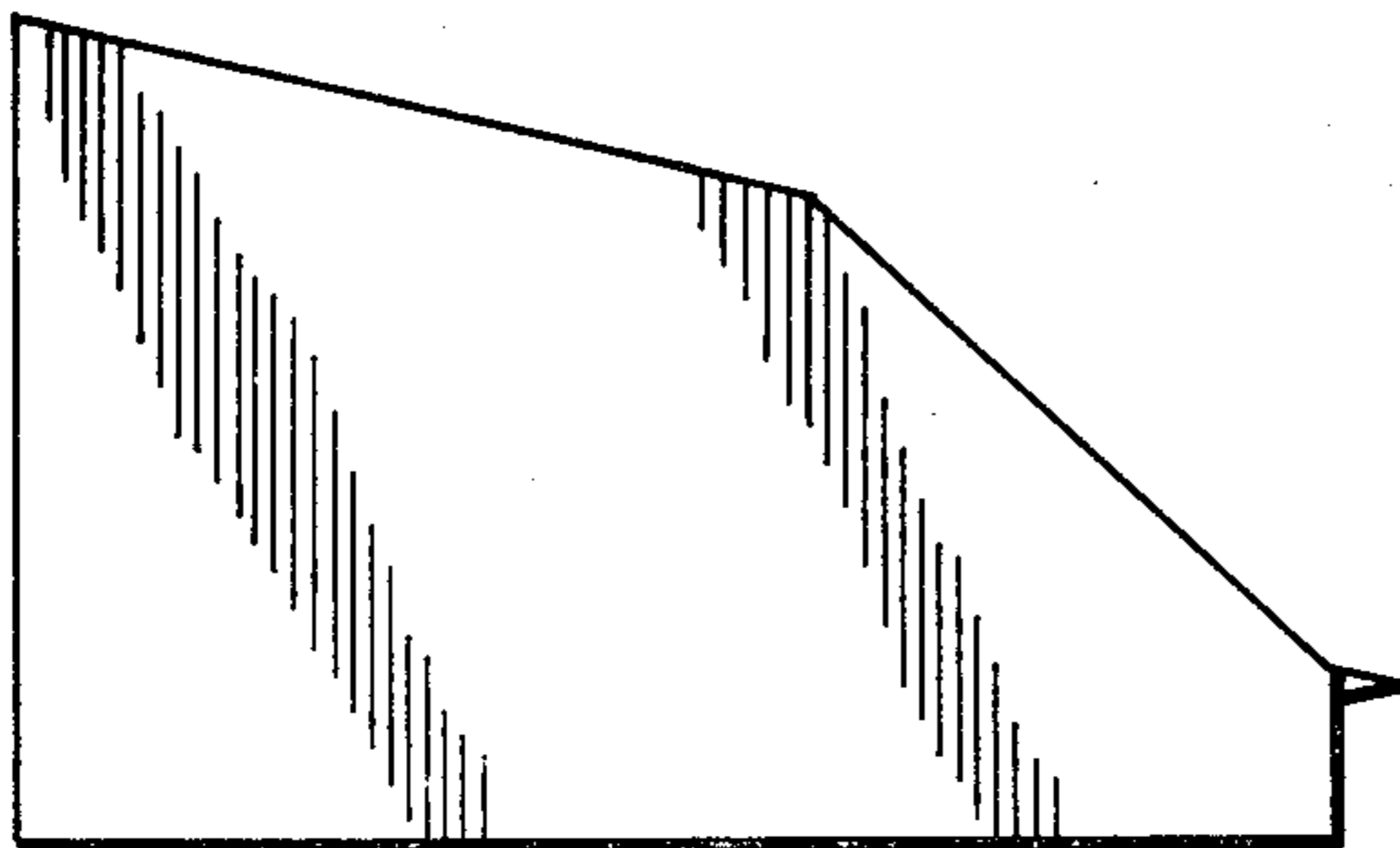


FIG. 3