

[54] BATTERY HOUSING OF RIFLE SCOPE OR SIMILAR ARTICLE

[75] Inventor: Carl P. Kummer, Winter Park, Fla.

[73] Assignee: Applied Devices Corporation, Kissimmee, Fla.

[**] Term: 14 Years

[21] Appl. No.: 277,185

[22] Filed: Jun. 25, 1981

[52] U.S. Cl. D16/132

[58] Field of Search D16/132, 134; 350/562, 350/538; 250/213 R, 213 VT, 330, 333, 338

[56] References Cited PUBLICATIONS

Tasco Catalog No. 80, ©1968 Tasco Sales Inc., Rifle-scopes on pp. 21 & 22.

The Shooter's Bible No. 65, 1974 Edition ©1973, Stoe-

ger Publishing Co., p. 458, (items 500, 300 B, 800), 478 Stoeger Scopes.

Bushnell Sports Optic Brochure ©1976, Bushnell Optical Co., pp. 30, 33.

Primary Examiner—Wallace R. Burke

Assistant Examiner—Horace B. Fay

Attorney, Agent, or Firm—Joseph S. Iandiorio

[57] CLAIM

The ornamental design for the battery housing of rifle scope or similar article, as shown and described.

DESCRIPTION

FIG. 1 is a right side elevational view of a battery housing of rifle scope or similar article showing my new design;

FIG. 2 is a left side elevational view thereof;

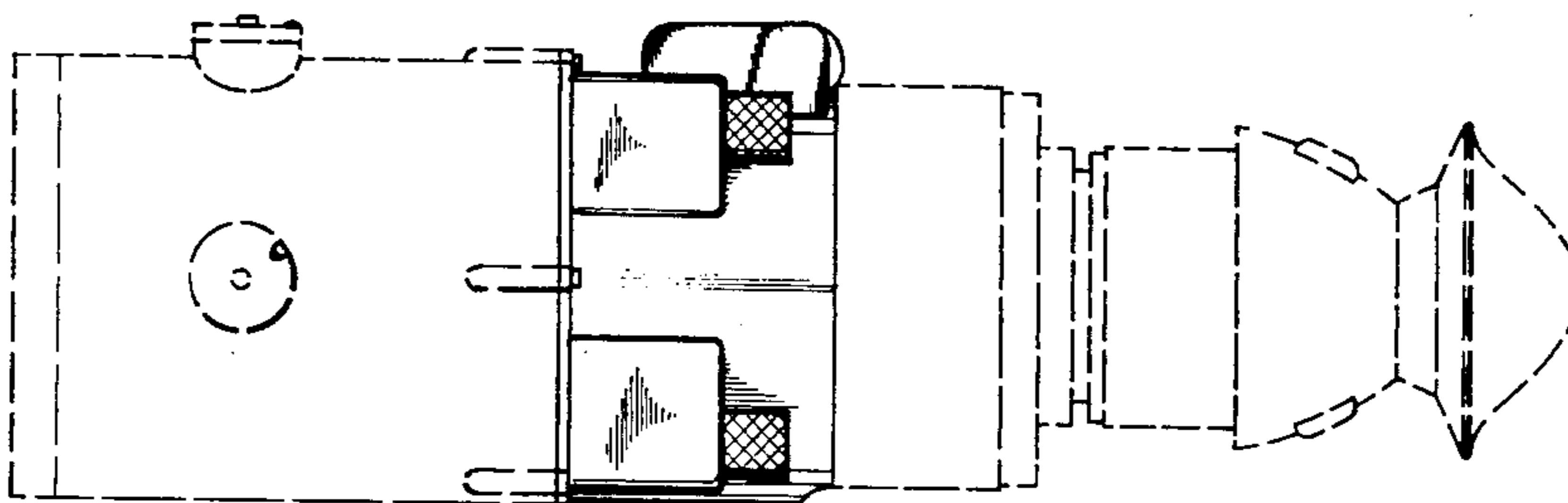
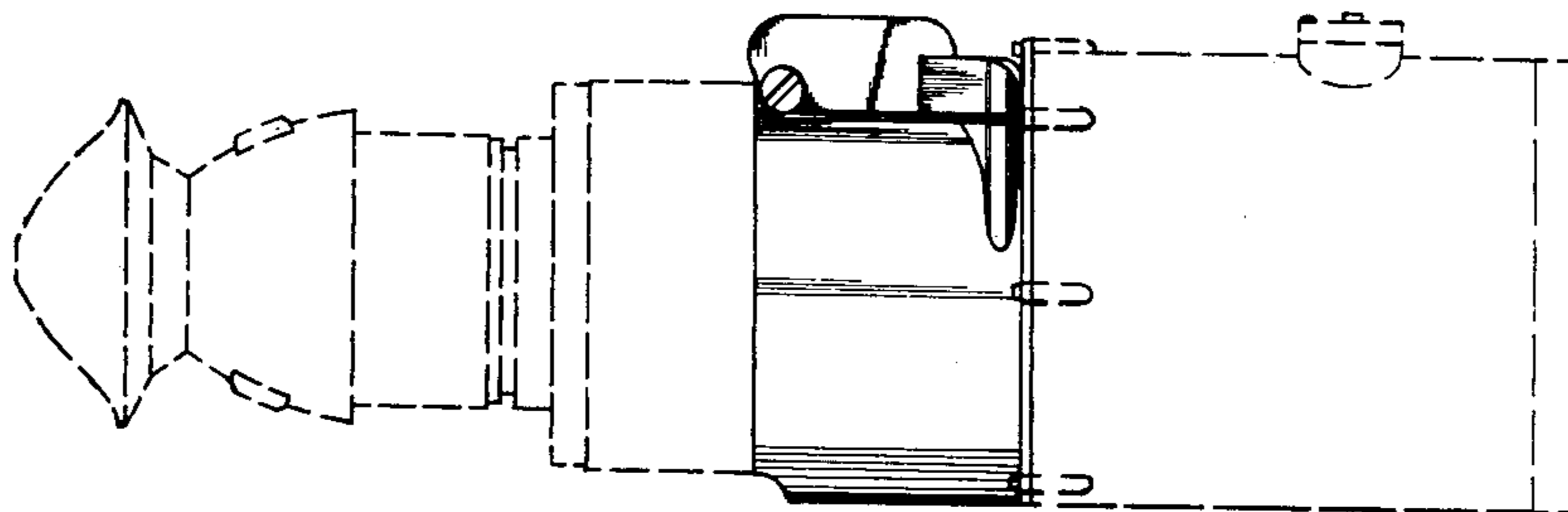
FIG. 3 is a right side elevational view thereof, with the door of the battery housing open;

FIG. 4 is a top view thereof;

FIG. 5 is a bottom view thereof;

FIG. 6 is a right end view thereof;

FIG. 7 is a view from the left, eyepiece end, thereof.



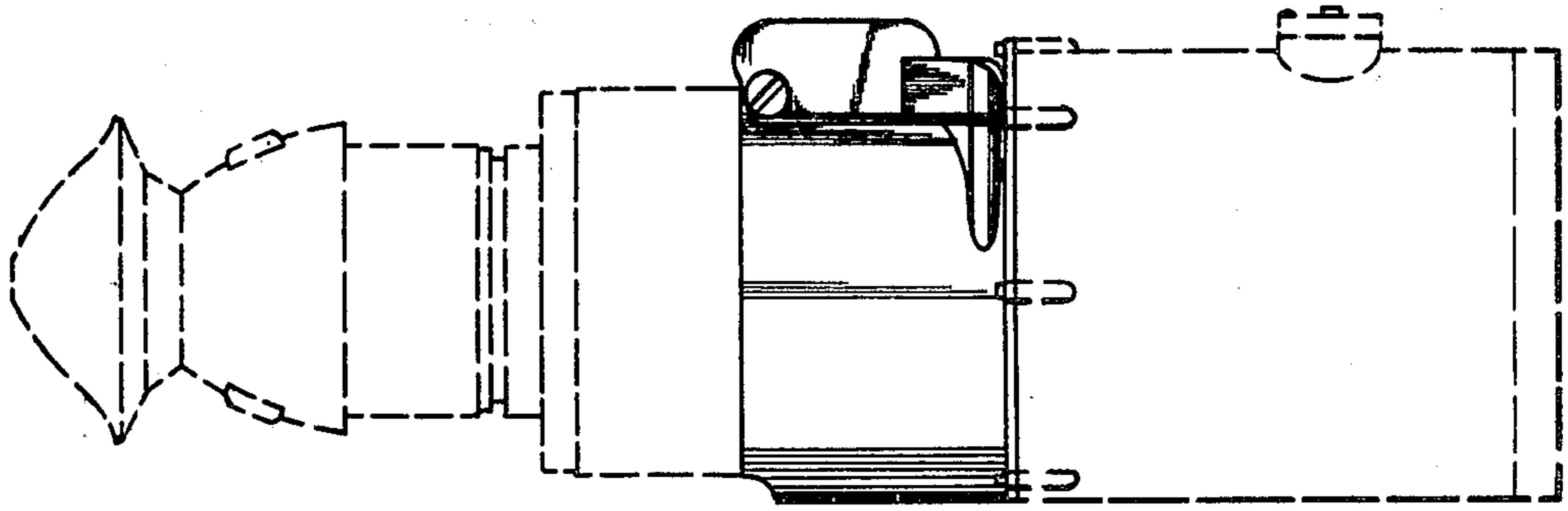


Fig. 1

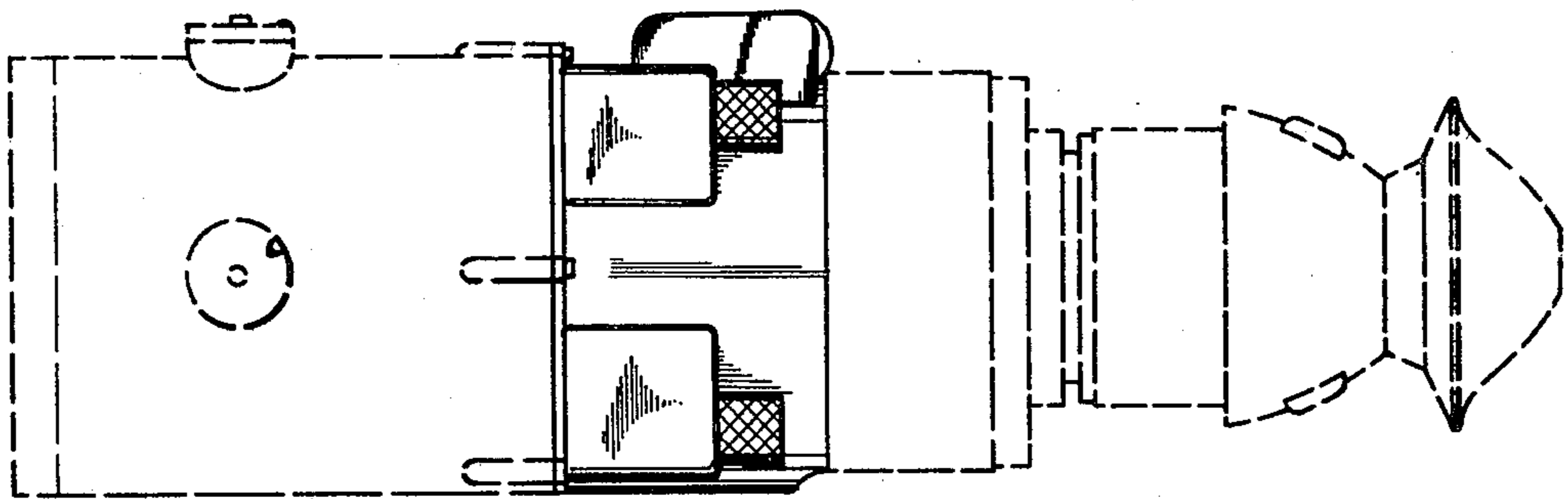


Fig. 2

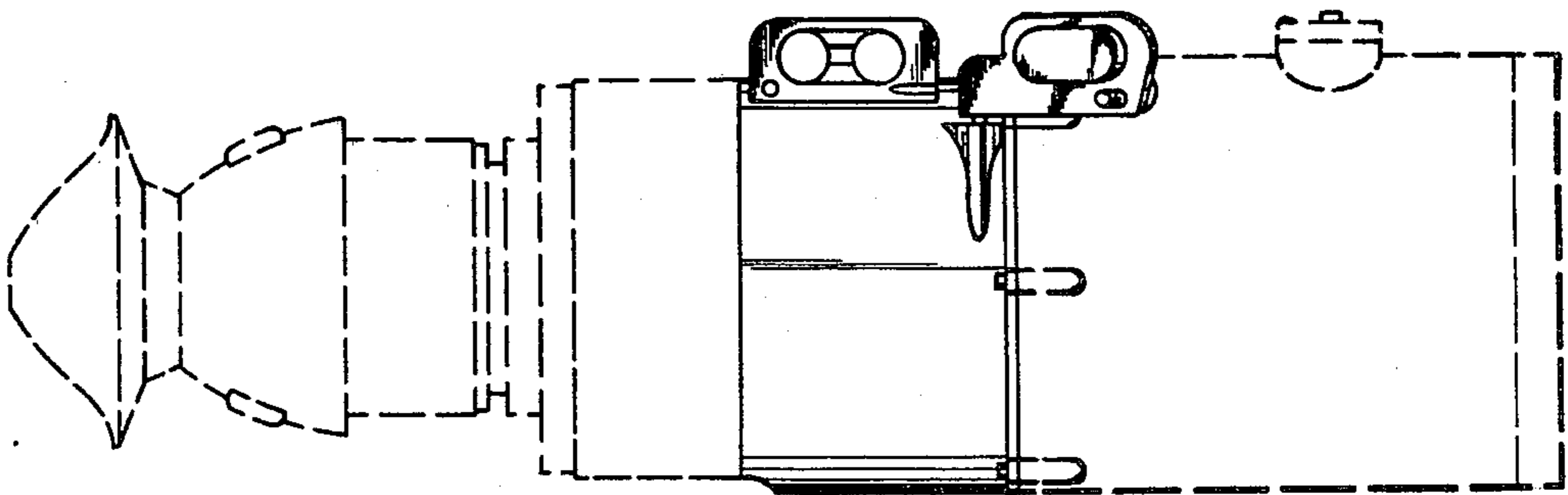


Fig. 3

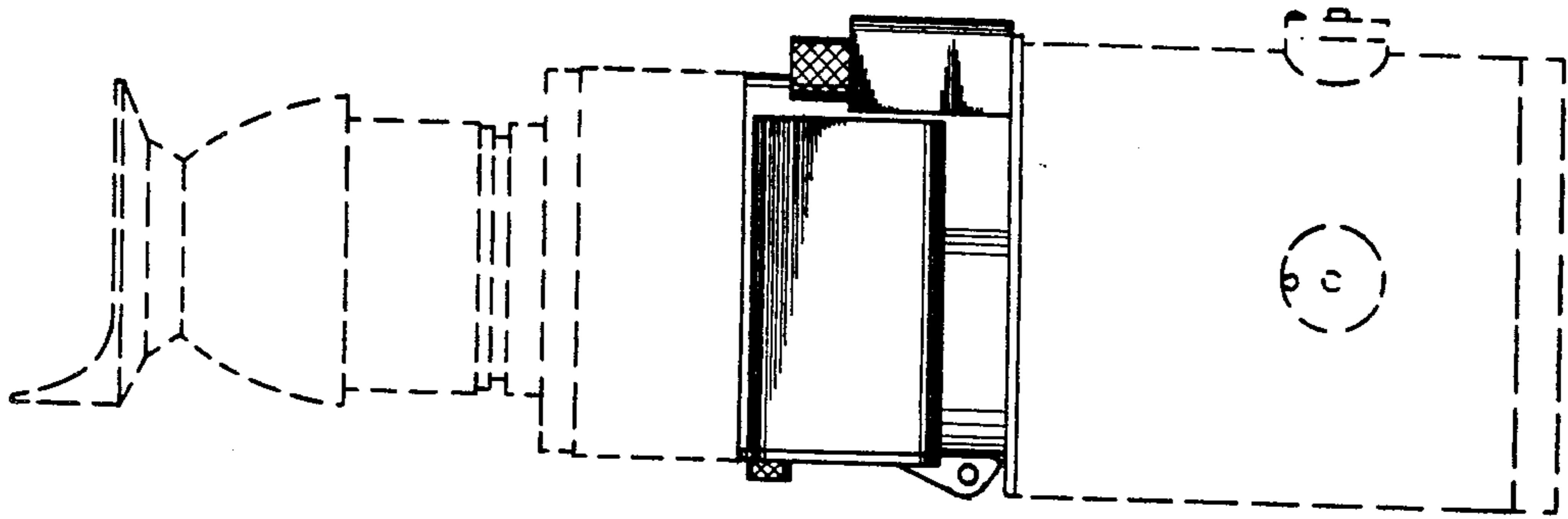


Fig. 4

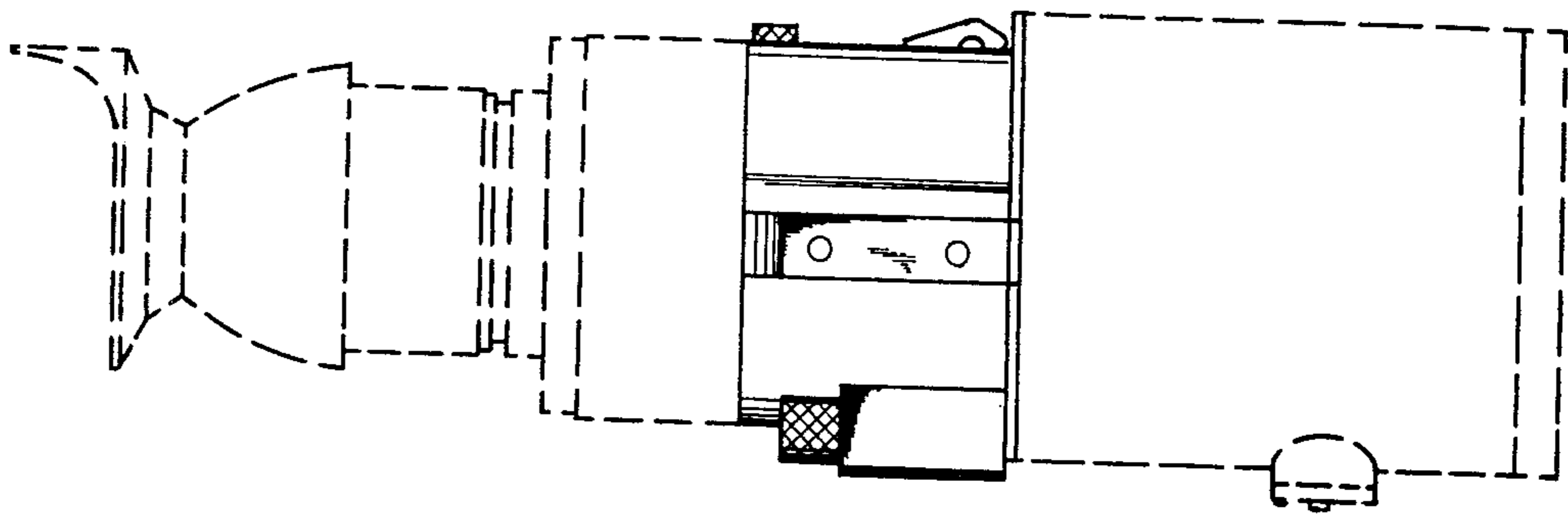


Fig. 5

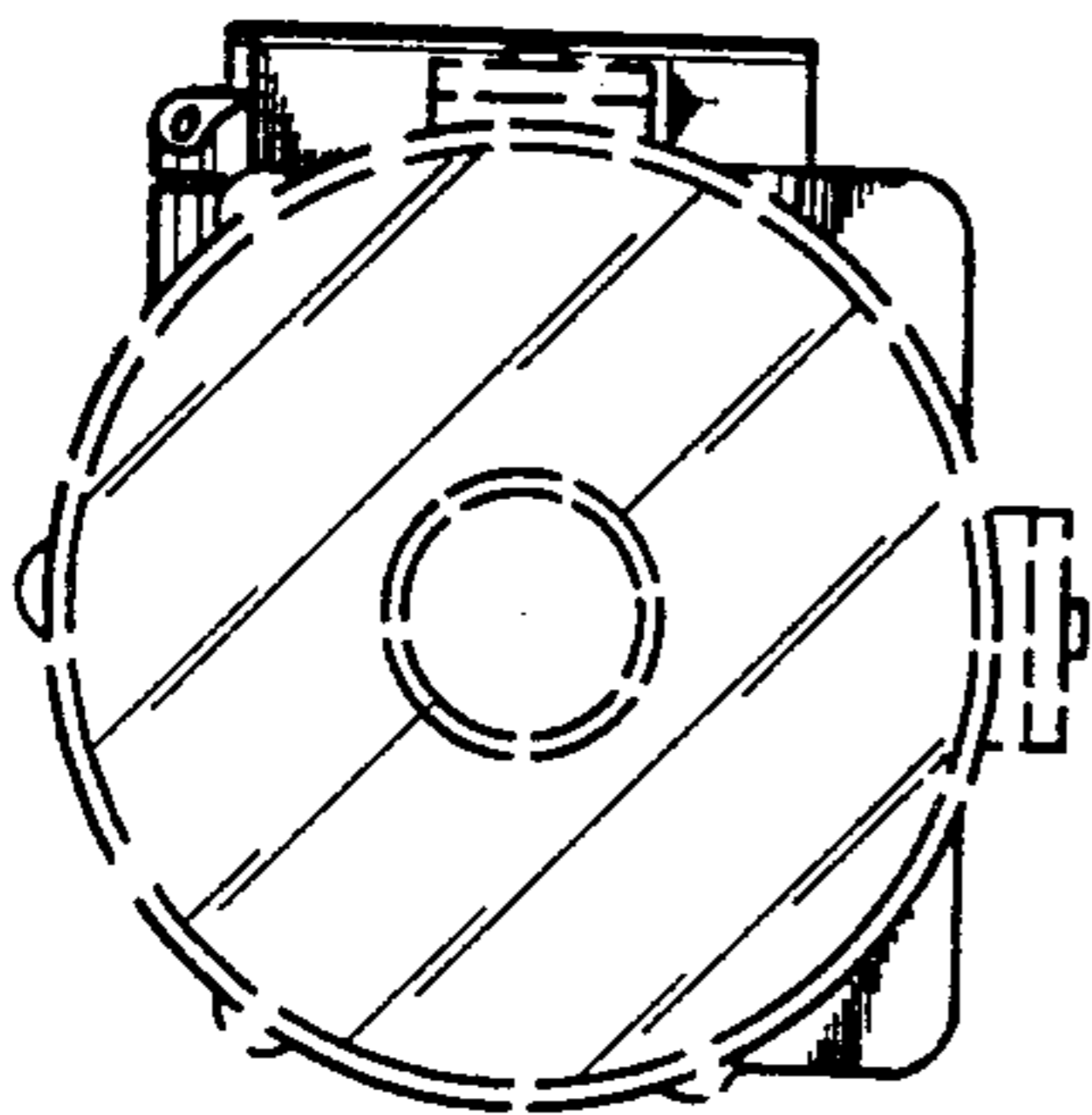


Fig. 6

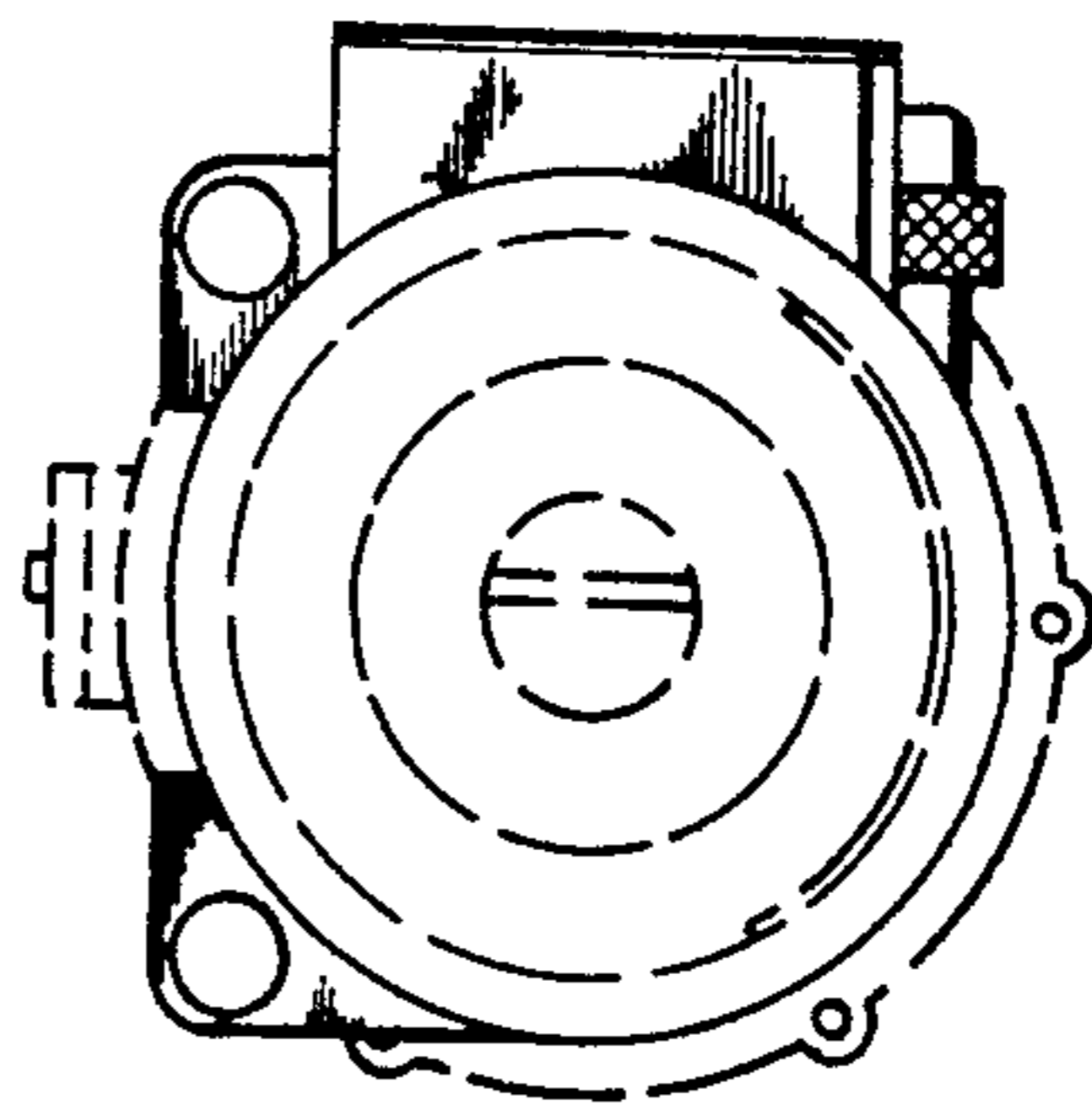


Fig. 7