

[54] TRANSPARENCY FRAME FOR OVERHEAD PROJECTOR

4,146,985 4/1979 Margulies 40/158 B

[76] Inventor: Peter VanDyken, Jr., 235 S. A St., Tustin, Calif. 92680

FOREIGN PATENT DOCUMENTS

1472297 6/1969 Fed. Rep. of Germany 40/158 B
1572876 11/1969 Fed. Rep. of Germany 40/158 B
2203792 8/1973 Fed. Rep. of Germany 353/120

[**] Term: 14 Years

[21] Appl. No.: 328,455

Primary Examiner—Nelson C. Holtje
Attorney, Agent, or Firm—Gausewitz, Carr, Rothenberg & Edwards

[22] Filed: Dec. 7, 1981

[52] U.S. Cl. D16/26

[58] Field of Search D16/26, 38; 353/120; 40/158 B, 159, 405, 537

[57] CLAIM

The ornamental design for a transparency frame for overhead projector, substantially as shown and described.

[56] References Cited

U.S. PATENT DOCUMENTS

D. 234,628 3/1975 Hrabik D16/38
D. 256,023 7/1980 Constantine D16/26
D. 267,181 12/1982 Jost D16/38 X
2,541,575 2/1951 Davidson 40/158 B
3,537,792 11/1970 Furniss 353/120
3,578,858 5/1971 LeMarr 353/120

DESCRIPTION

FIG. 1 is a top, front and right side perspective view of a transparency frame for overhead protector showing my new design;
FIG. 2 is a bottom, rear and left side perspective view thereof.

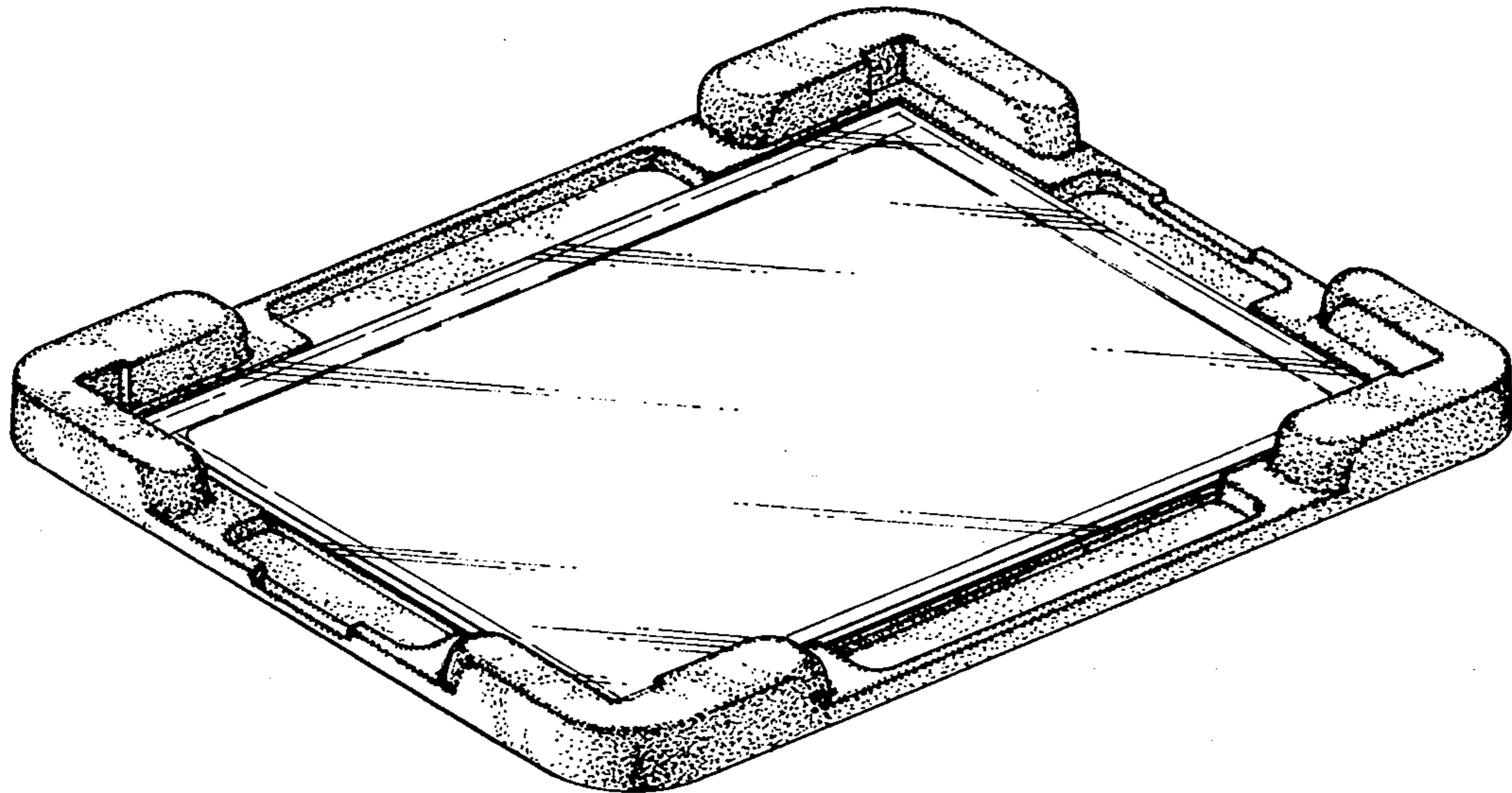


FIG. 1.

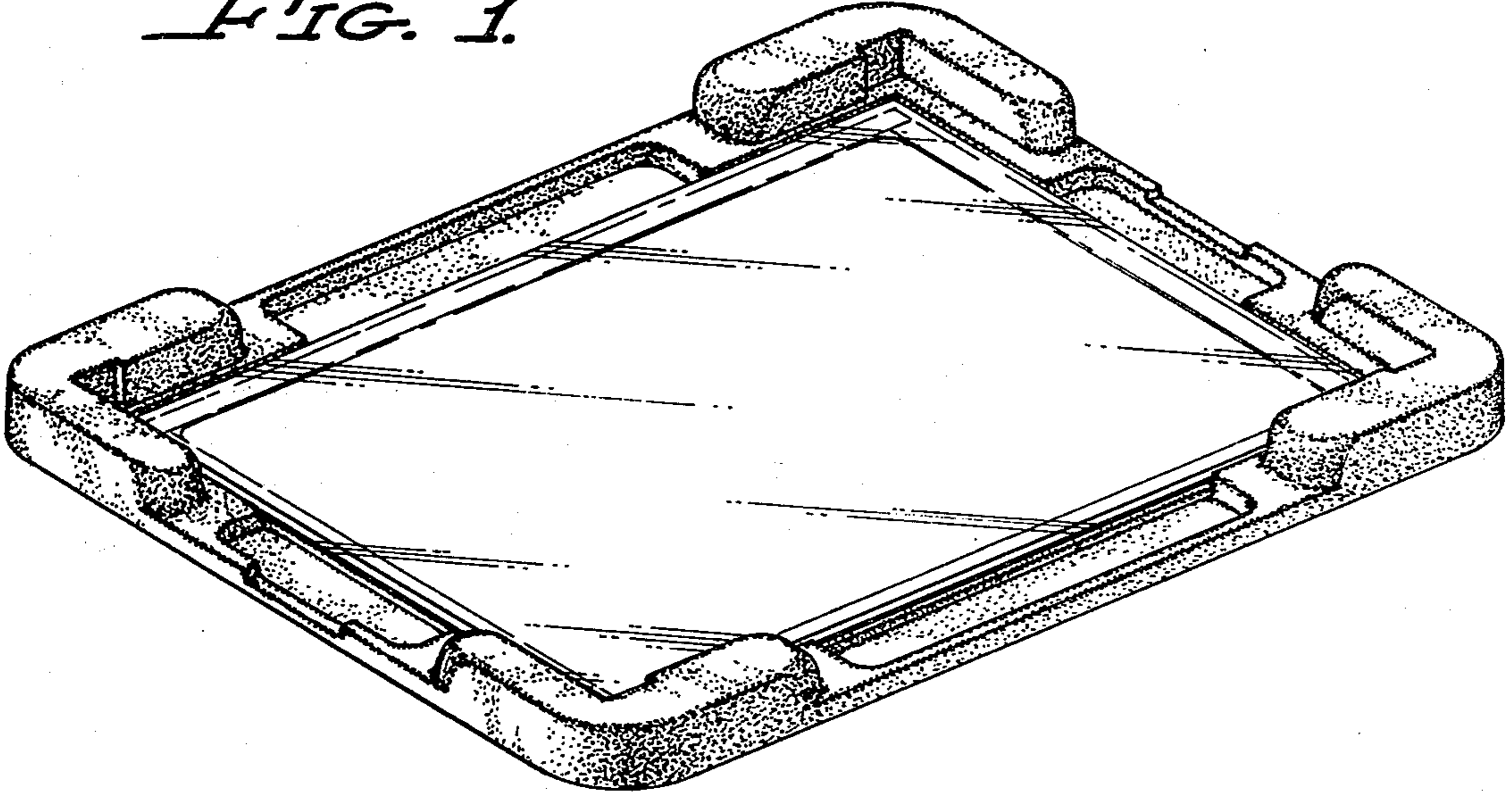


FIG. 2.

