

[54] PORTABLE AIR COMPRESSOR

[76] Inventor: James F. Mariol, 481 Deanview Dr., Cincinnati, Ohio 45224

[\*\*] Term: 14 Years

[21] Appl. No.: 367,089

[22] Filed: Apr. 9, 1982

[52] U.S. Cl. .... D15/9

[58] Field of Search ..... D15/7, 9; 417/410, 411, 417/415, 234

[56] References Cited

U.S. PATENT DOCUMENTS

D. 149,545	5/1948	Gamble et al. ....	D15/9
D. 177,701	5/1956	Sykes .....	D15/9
D. 179,746	2/1957	Sudmeier .....	D15/9
D. 183,501	9/1958	Stenger et al. ....	D15/9
D. 222,847	1/1972	Kondo .....	D15/9
947,882	2/1910	Batchelder .....	417/415
1,187,031	6/1916	Black et al. ....	417/234
1,729,548	3/1928	Price .....	91/475
1,954,002	4/1934	Tursky .....	417/415
2,106,488	2/1938	McCune .....	417/203
2,246,868	6/1941	Trask .....	417/372
2,450,468	10/1948	Cornelius .....	417/265
2,668,004	2/1954	Browne .....	74/50
2,673,028	3/1954	Cornelius et al. ....	417/265

2,899,130	8/1959	Sykes .....	417/265
3,776,666	12/1973	Ludwig .....	417/411
4,190,402	2/1980	Meece et al. ....	417/415

FOREIGN PATENT DOCUMENTS

588341 5/1947 United Kingdom .

OTHER PUBLICATIONS

Gast Mfg. Corp. brochure, Catalog No. 5-30, (11-77), pp. 11, 14, 16-18, 26-36, 48-51.

Primary Examiner—Catherine E. Kemper

Assistant Examiner—Lynn Wilder

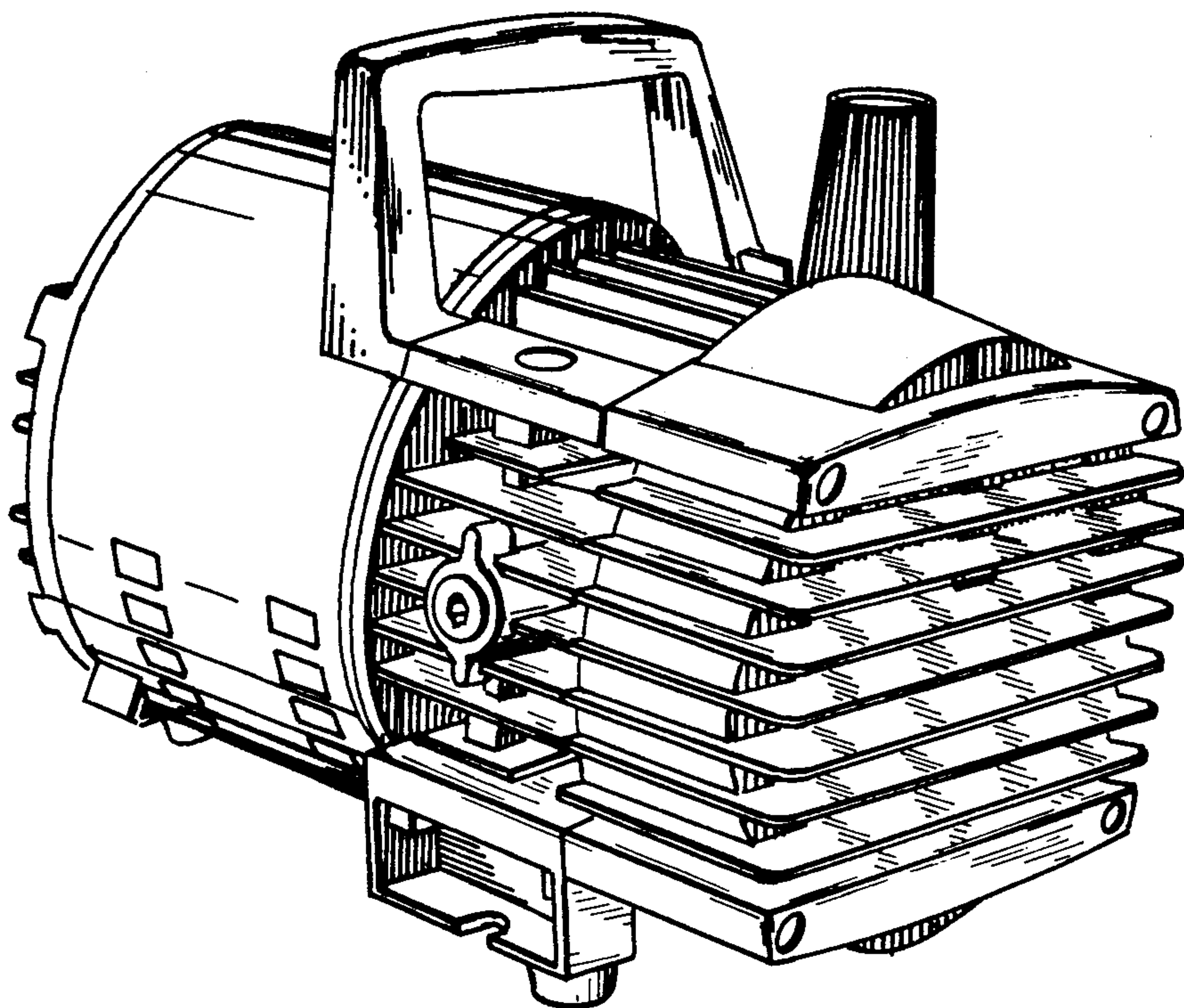
Attorney, Agent, or Firm—Wood, Herron & Evans

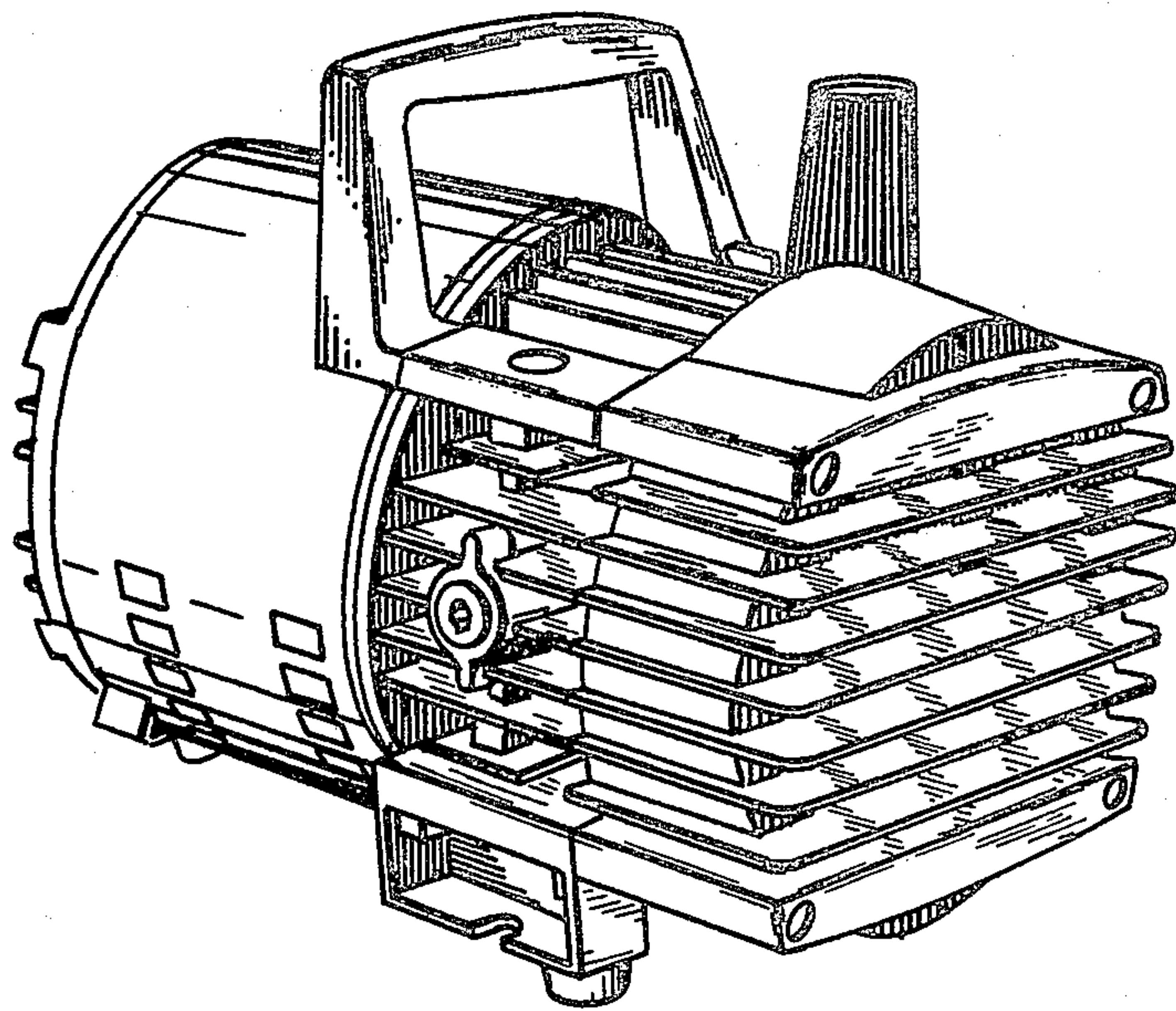
[57] CLAIM

The ornamental design for a portable air compressor, as shown and described.

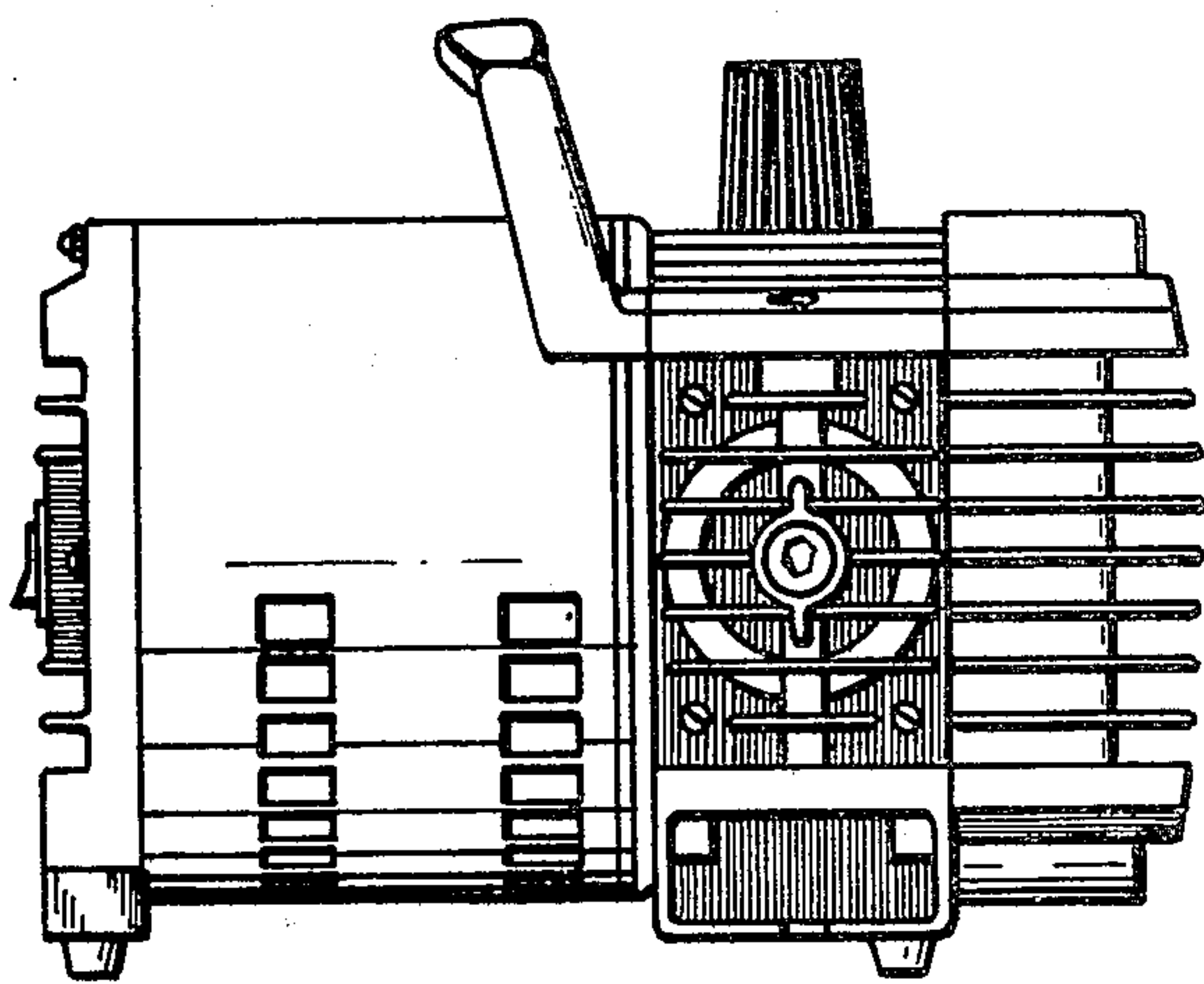
DESCRIPTION

FIG. 1 is a perspective view of a portable air compressor showing my new design; FIG. 2 is a left side elevational view thereof; FIG. 3 is a front end elevational view thereof; FIG. 4 is a right side elevational view thereof; FIG. 5 is a rear end elevational view thereof; FIG. 6 is a top plan view thereof; and FIG. 7 is a bottom plan view thereof.

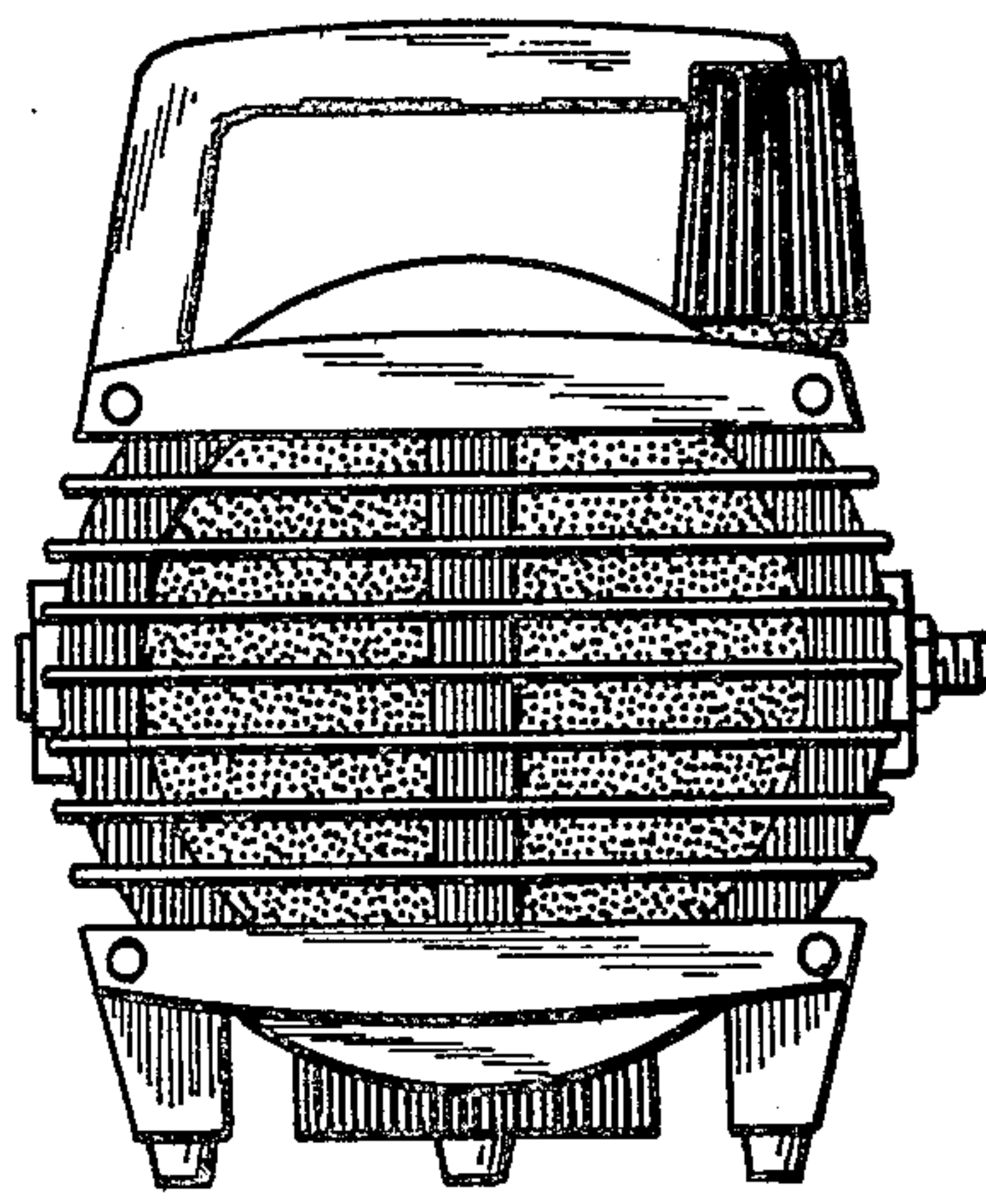




*Fig. 1*

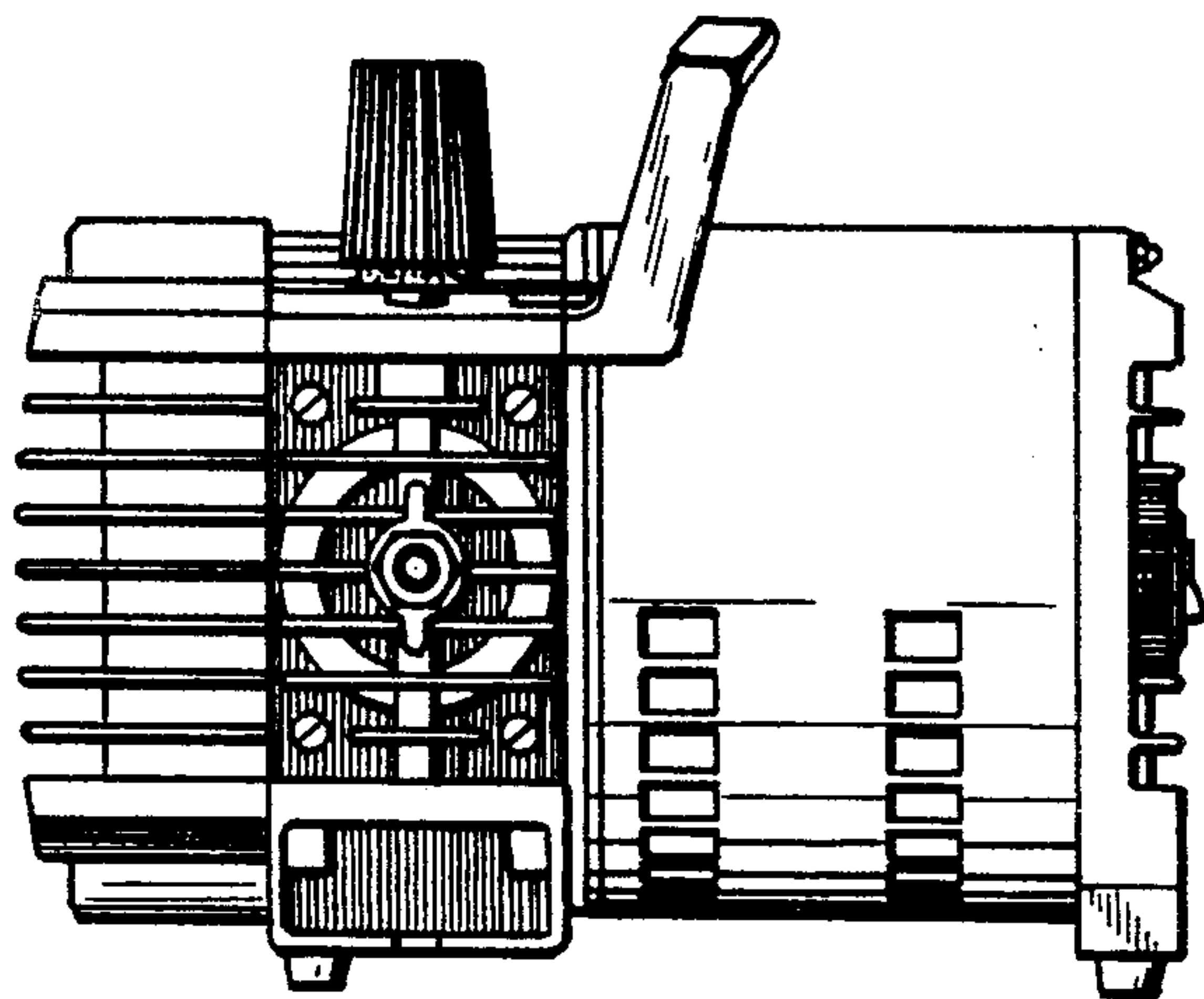


*Fig. 2*

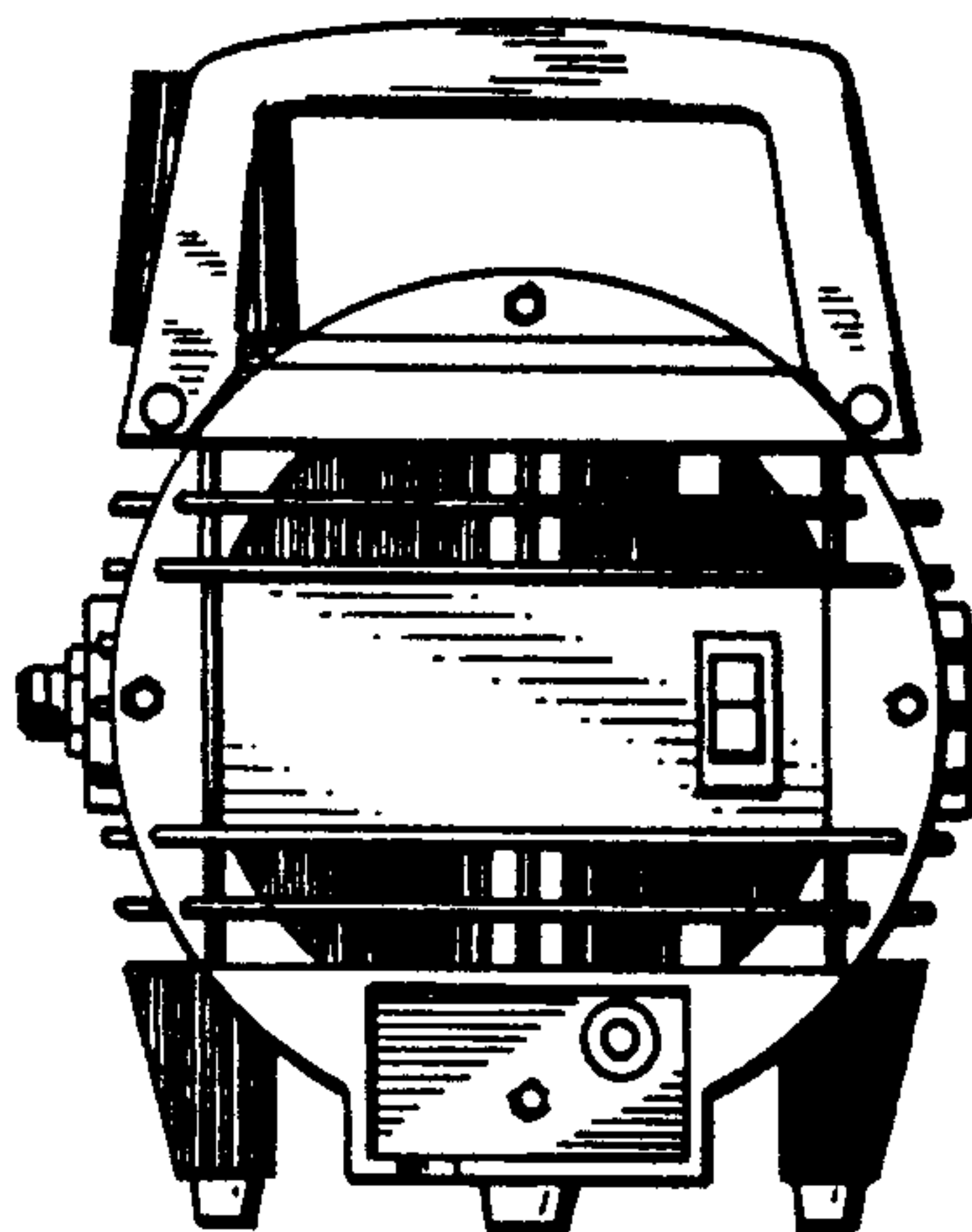


*Fig. 3*

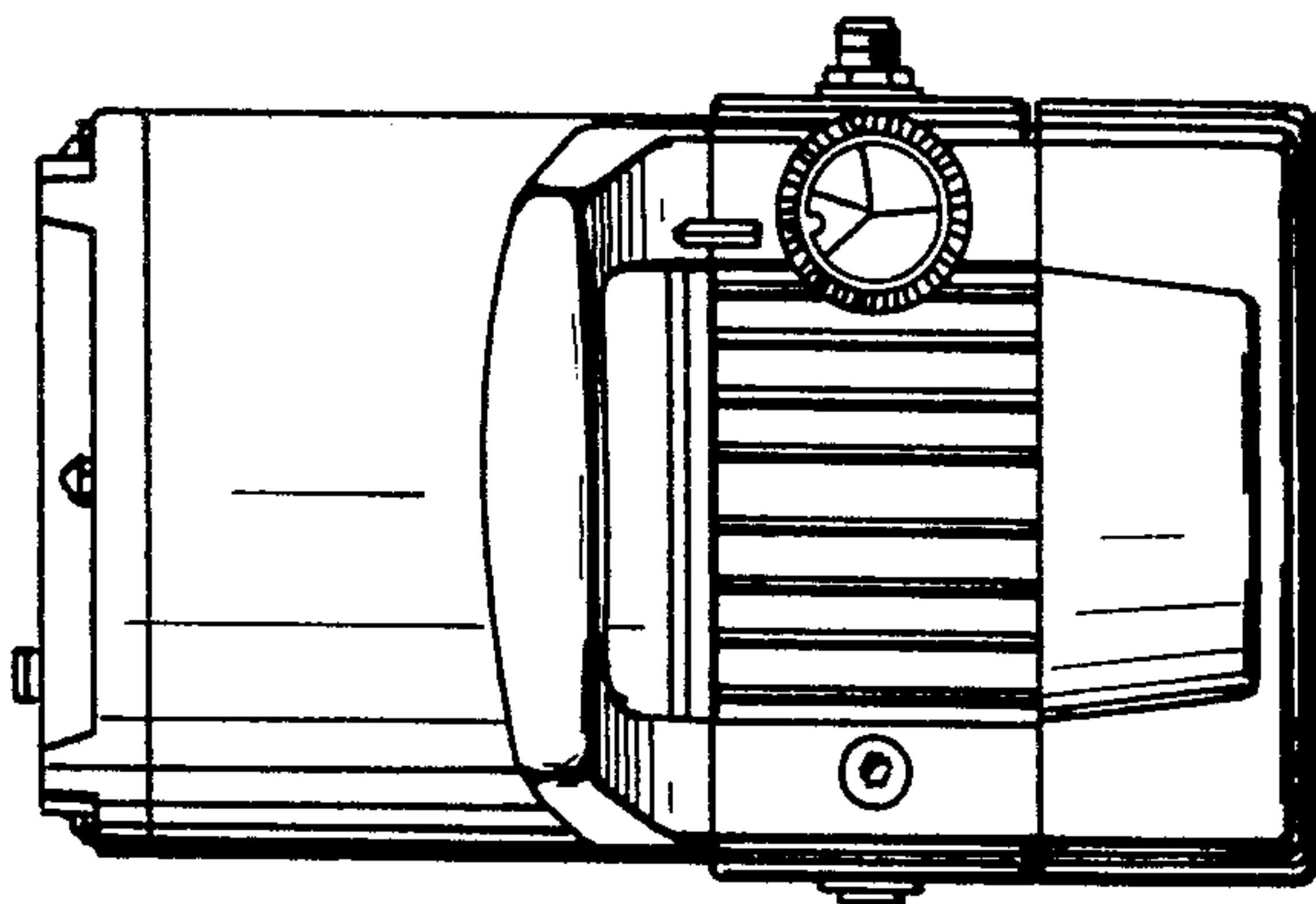




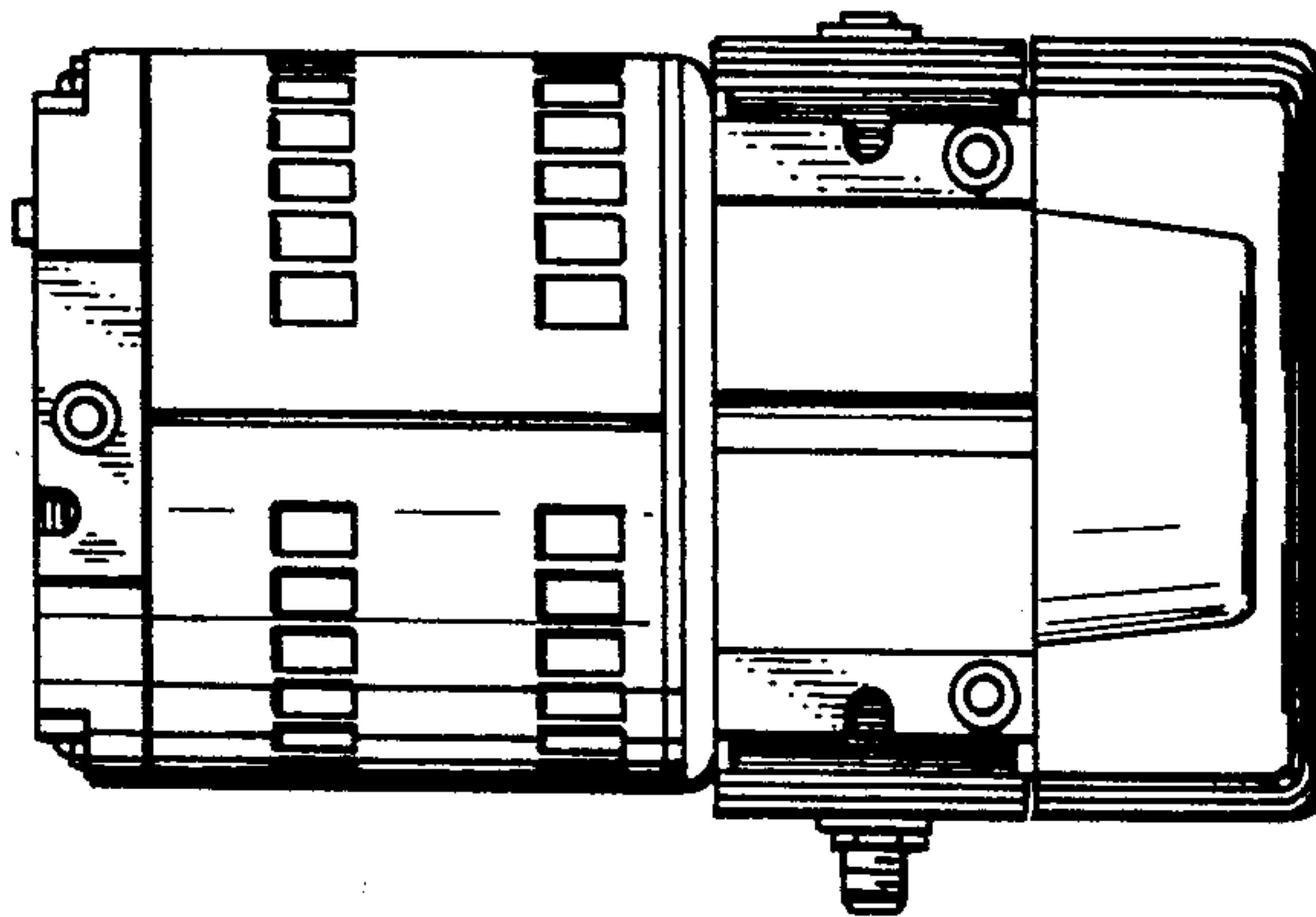
*Fig. 4*



*Fig. 5*



*Fig. 6*



*Fig. 7*