

[54] **AIR PUMP**
[75] **Inventor: Gordon H. Boswell, Auckland, New Zealand**
[73] **Assignee: Mason & Porter Limited, Auckland, New Zealand**
[**] **Term: 14 Years**
[21] **Appl. No.: 163,997**
[22] **Filed: Jun. 30, 1980**
[52] **U.S. Cl. D15/9**
[58] **Field of Search D15/7-9;
418/259, 266, 268**

D. 116,253 8/1939 Van Doren et al. D15/7
D. 162,502 3/1951 Zimmer, Jr. D15/7
D. 179,746 2/1957 Sudmeier D15/9
D. 263,302 3/1982 Terajima et al. D15/7

Primary Examiner—James R. Largen
Attorney, Agent, or Firm—Holman & Stern

[57] **CLAIM**

The ornamental design for the air pump, as shown and described.

DESCRIPTION

FIG. 1 is a front elevational view of an air pump embodying my design,
FIG. 2 is a rear elevational view thereof,
FIG. 3 is right side elevational hand side view thereof,
FIG. 4 is a left side elevational view thereof, and
FIG. 5 is a top plan view thereof, and
FIG. 6 is a perspective view thereof.

[56] **References Cited**
U.S. PATENT DOCUMENTS
D. 116,252 8/1939 Van Doren et al. D15/7

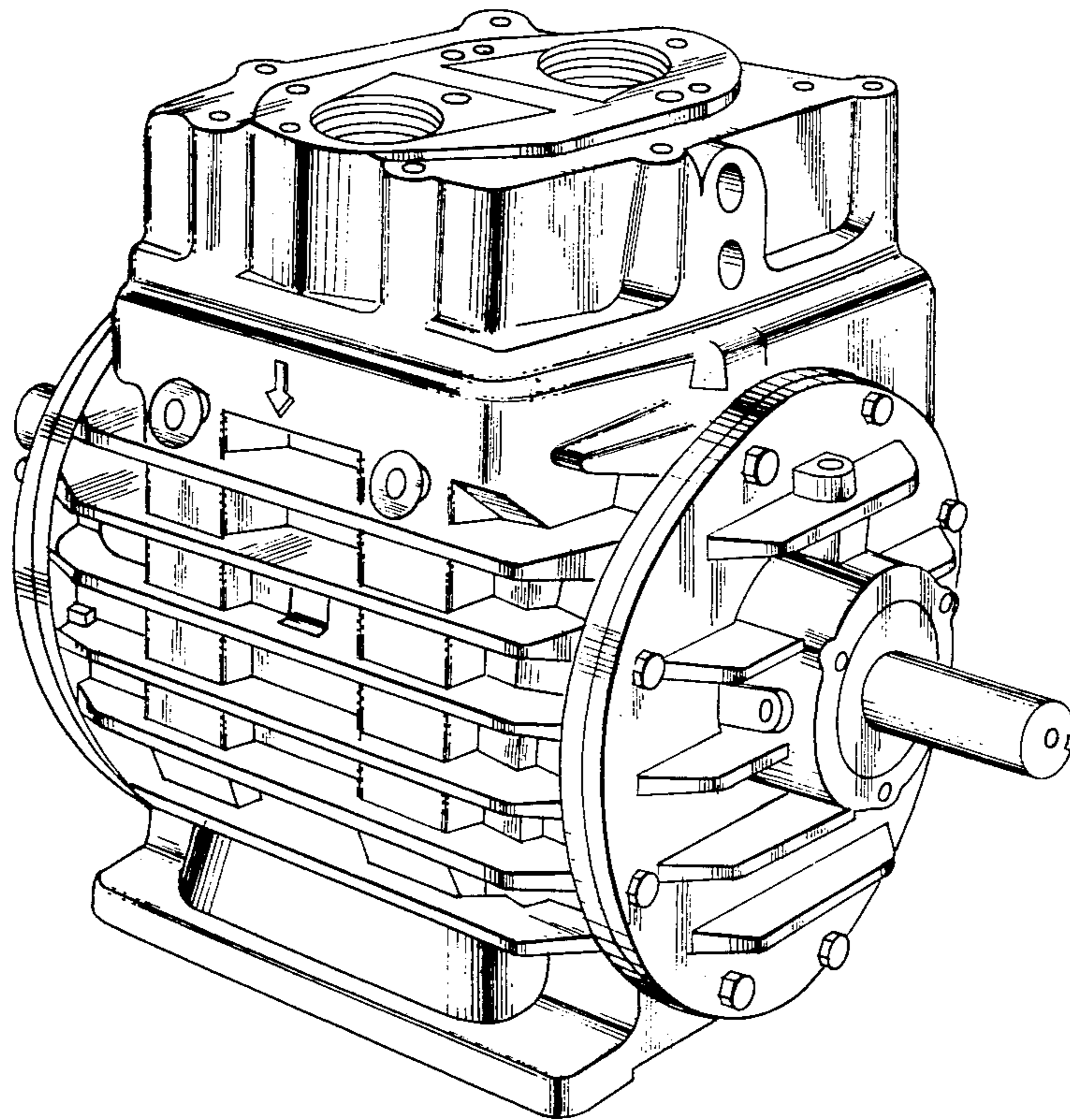


FIG. 1

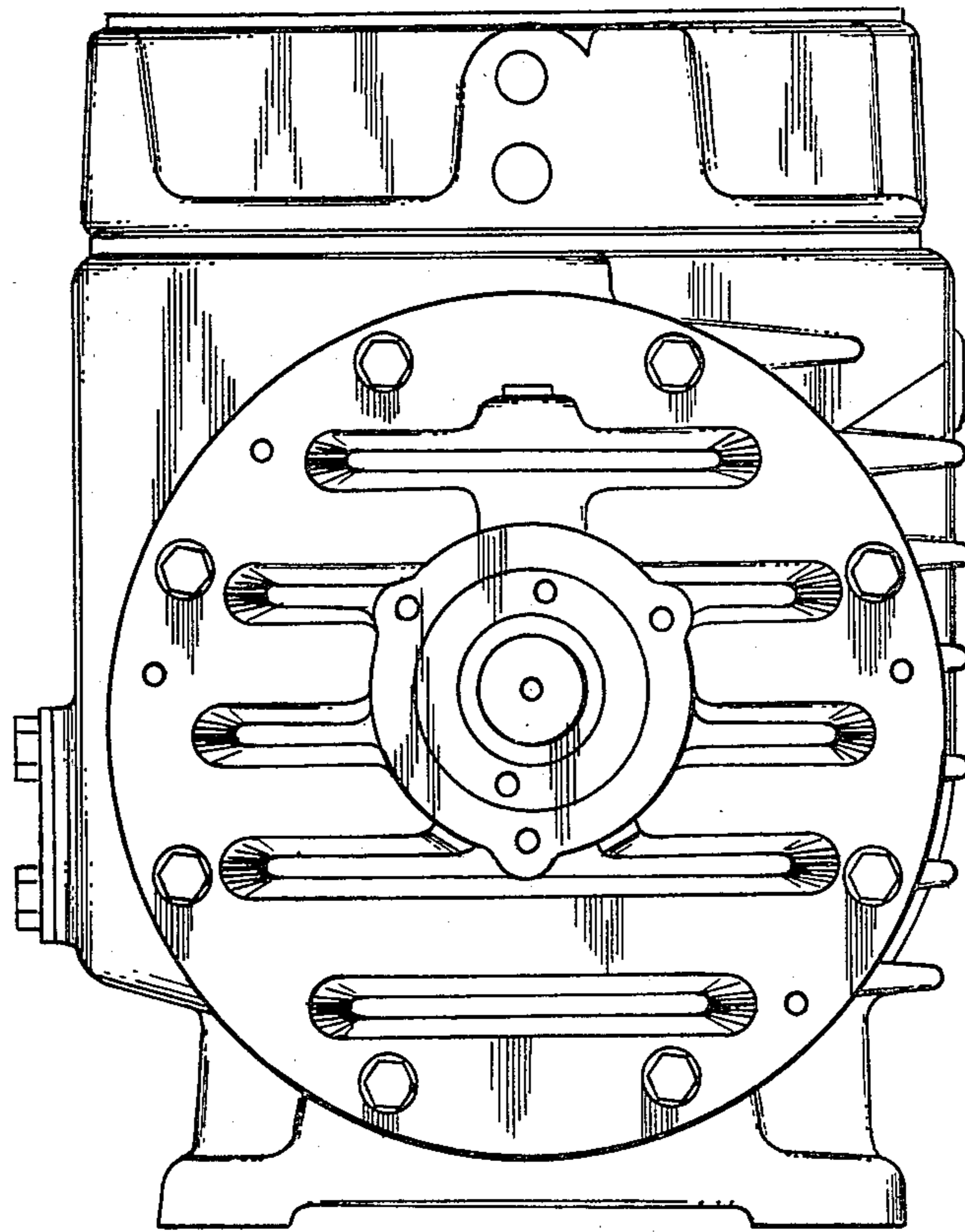


FIG. 2

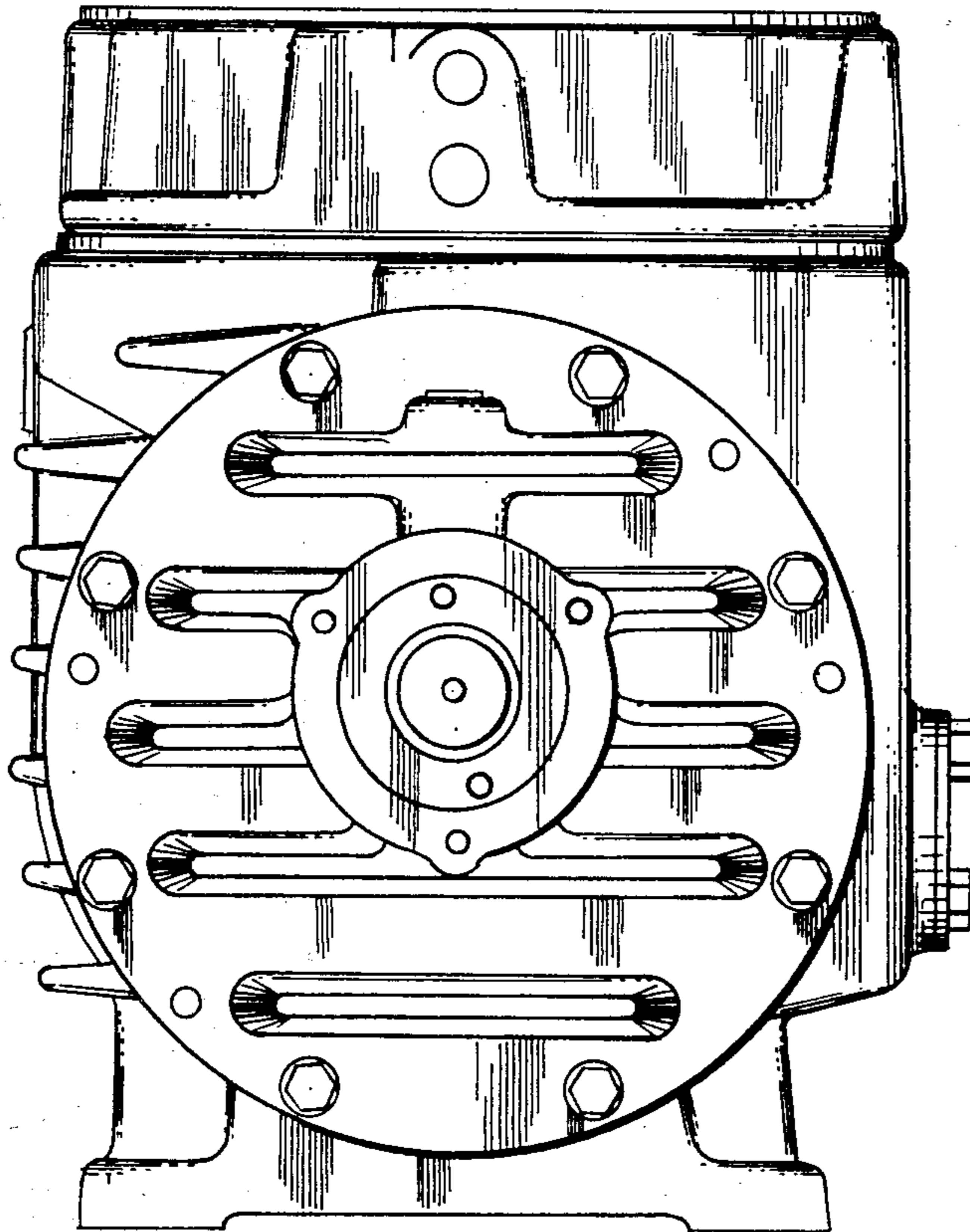
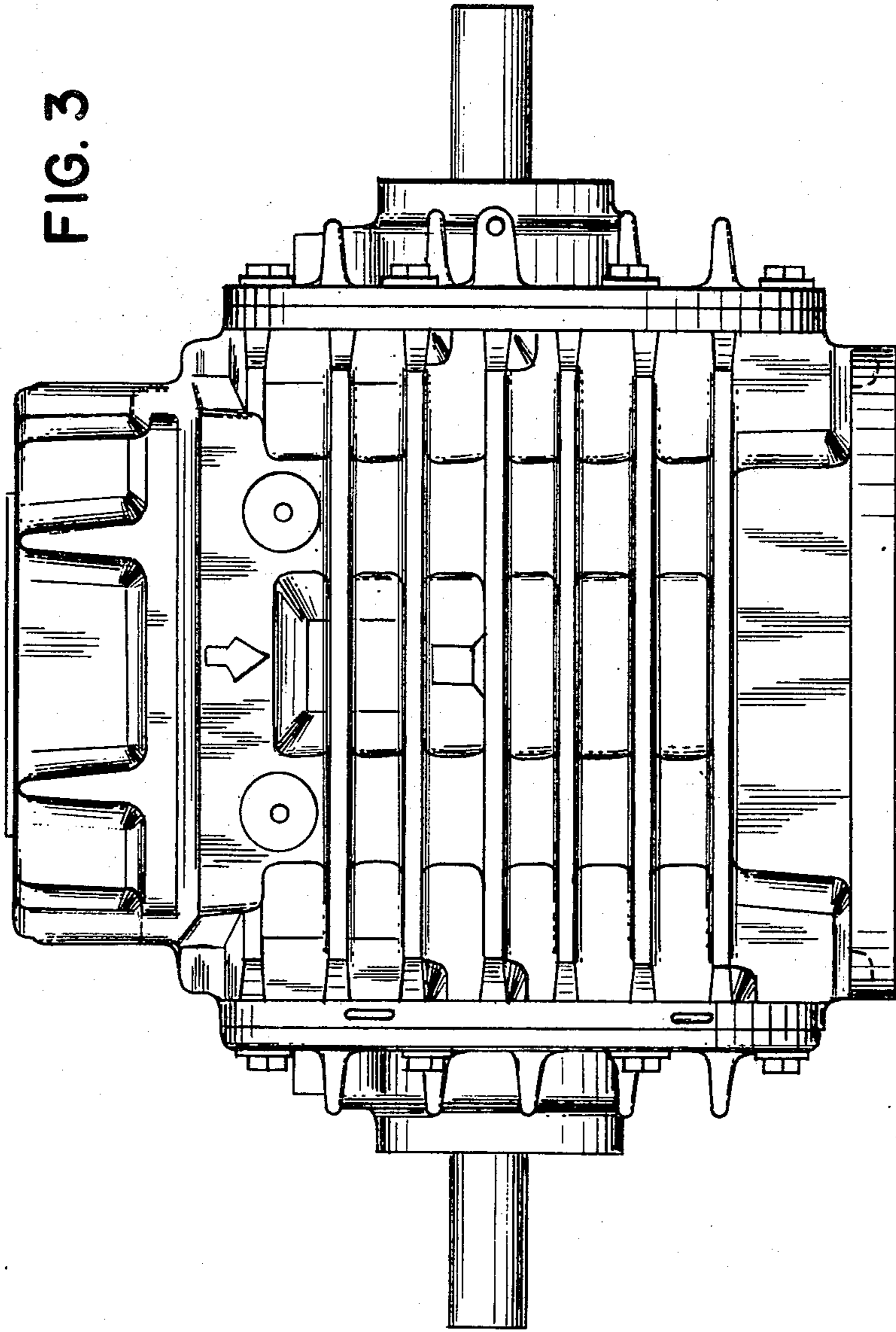


FIG. 3



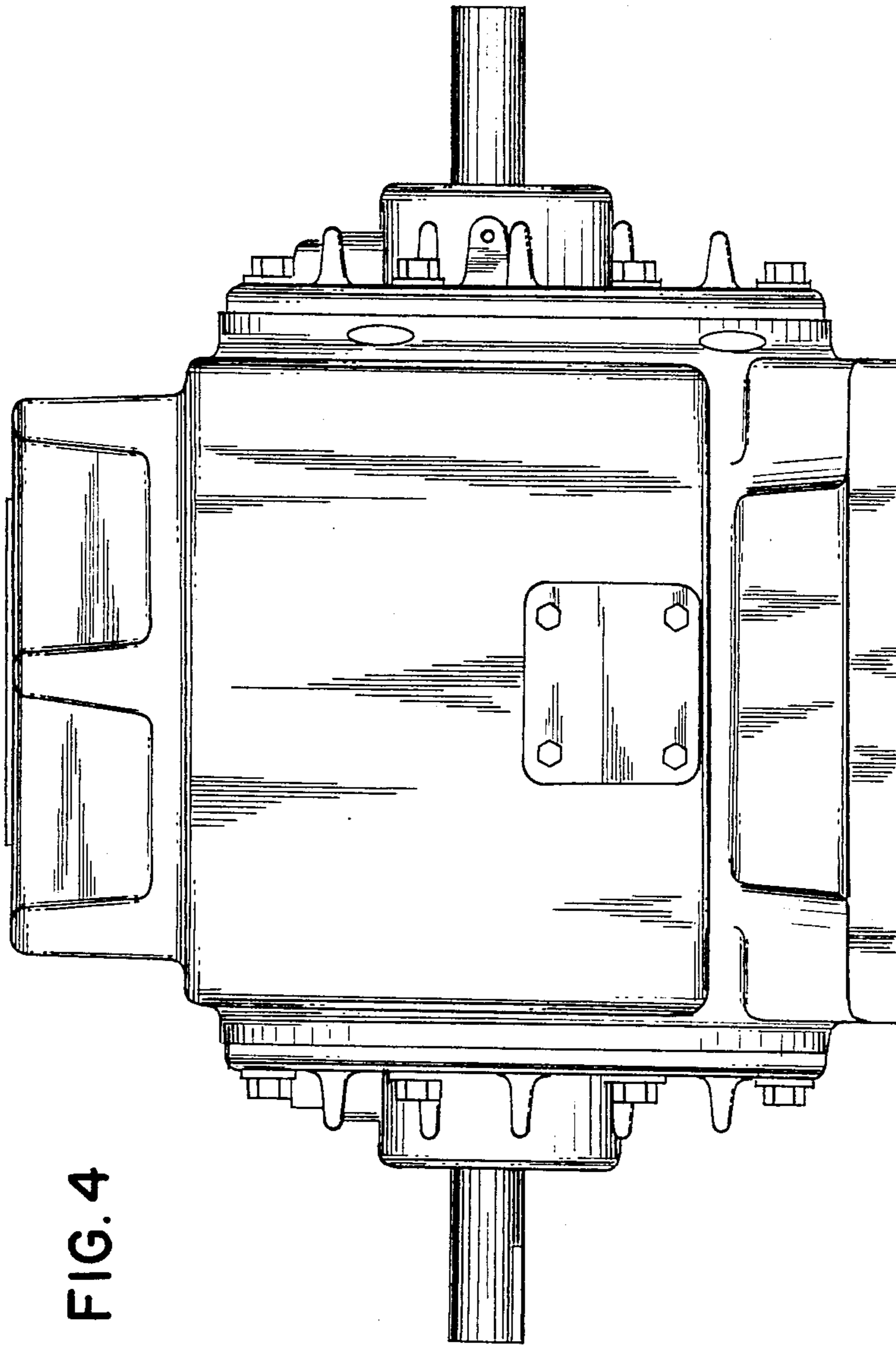


FIG. 4

FIG. 5

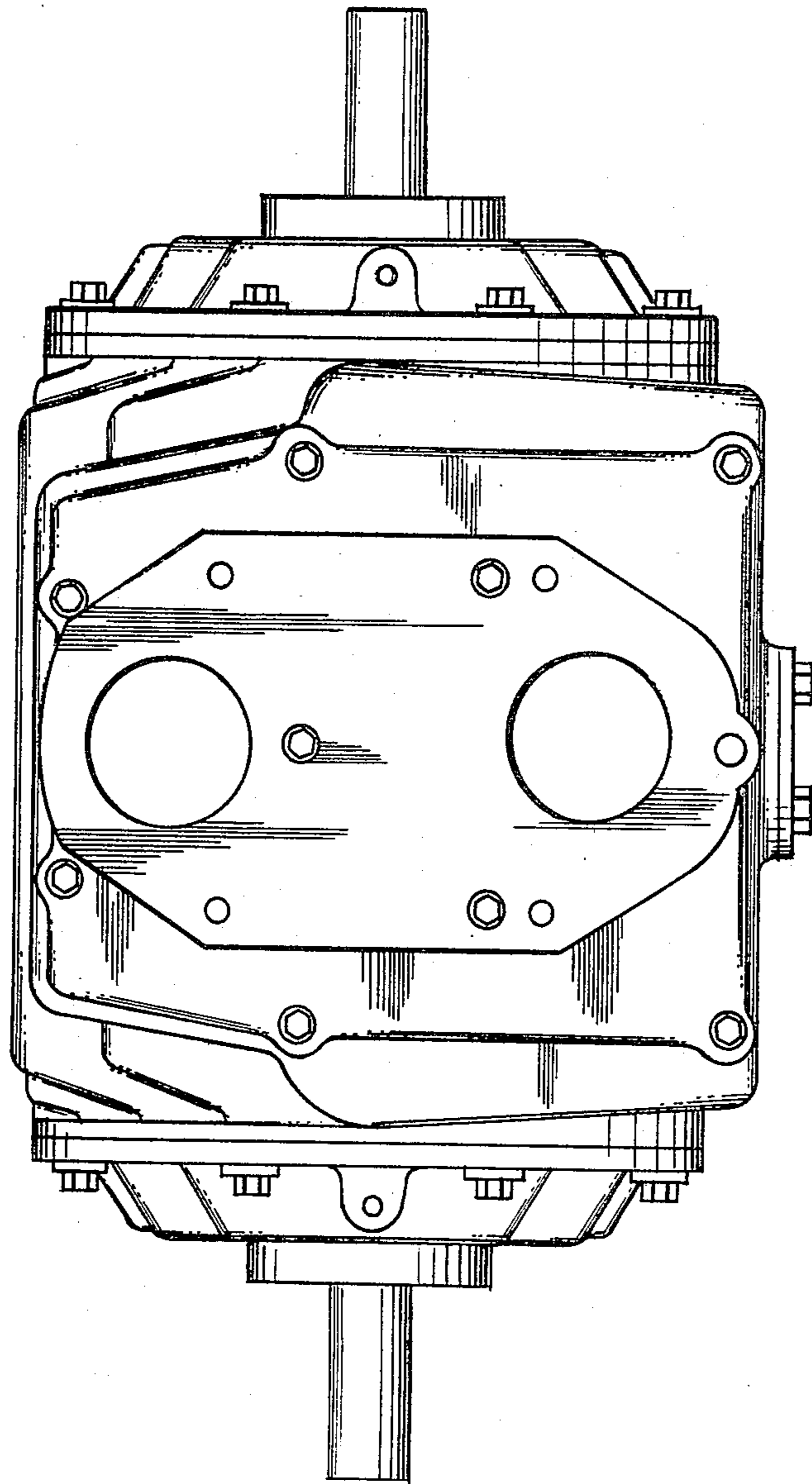


FIG. 6

