

[54] **INTERACTIVE TERMINAL PRINTER**

[75] **Inventor:** Donald F. Lahey, Saratoga, Calif.

[73] **Assignee:** International Business Machines Corporation, Armonk, N.Y.

[\*\*] **Term:** 14 Years

[21] **Appl. No.:** 300,781

[22] **Filed:** Sep. 14, 1981

[52] **U.S. Cl. ....** D14/111

[58] **Field of Search ....** D14/100-115;  
364/900; 400/693; D18/13, 18, 22, 23

[56] **References Cited**

**U.S. PATENT DOCUMENTS**

D. 217,350 4/1970 Crease ..... D14/106  
D. 249,347 9/1978 Zierhut ..... D14/111

*Primary Examiner*—Susan J. Lucas  
*Attorney, Agent, or Firm*—Karl O. Hesse

[57] **CLAIM**

The ornamental design for an interactive terminal printer, as shown and described.

**DESCRIPTION**

FIG. 1 is a front, top left side perspective view of the interactive terminal printer showing my new design; FIG. 2 is a rear, top and right side perspective thereof; FIG. 3 is front elevational view thereof on an enlarged scale; FIG. 4 is a side elevational view thereof on an enlarged scale.

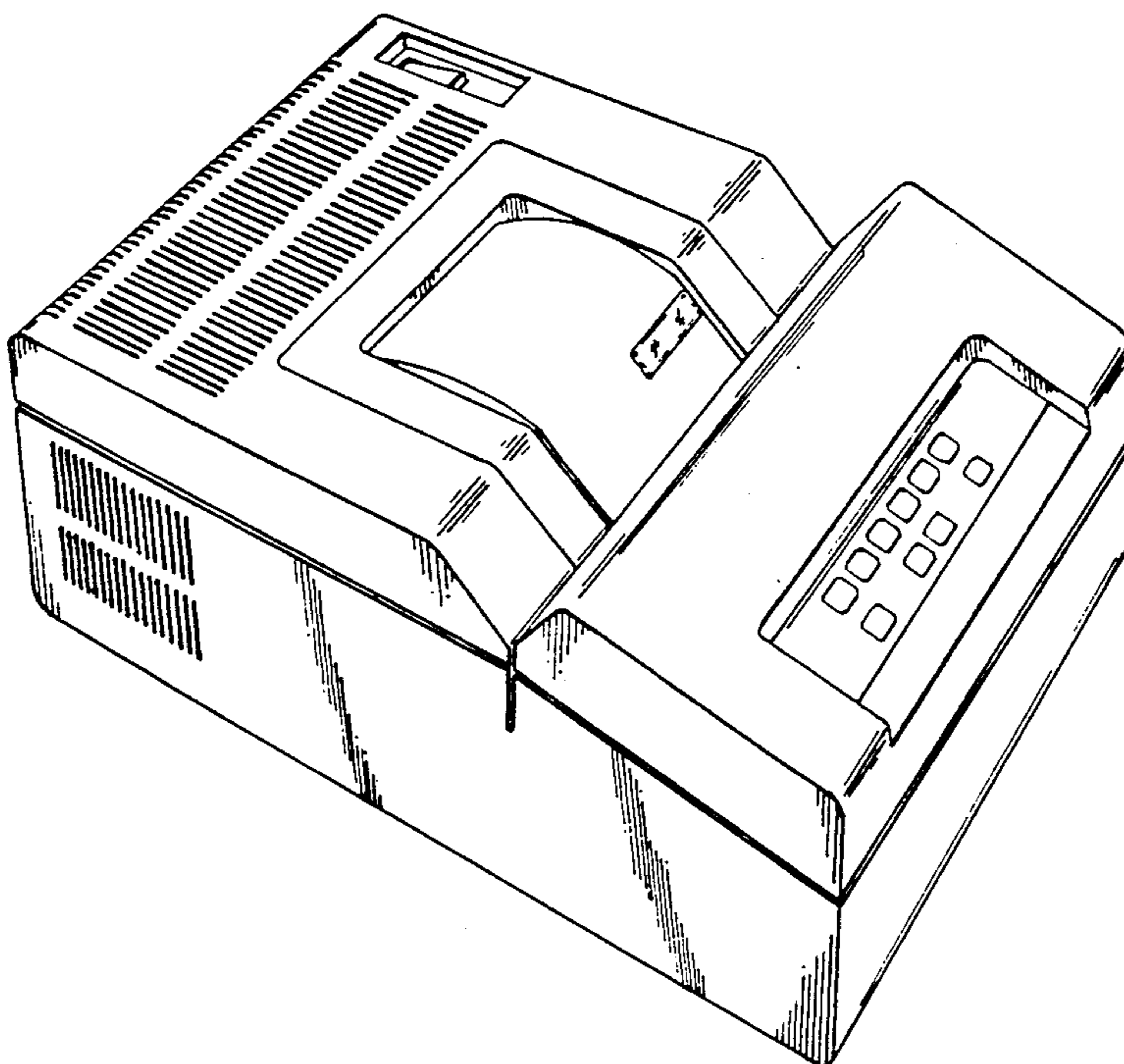
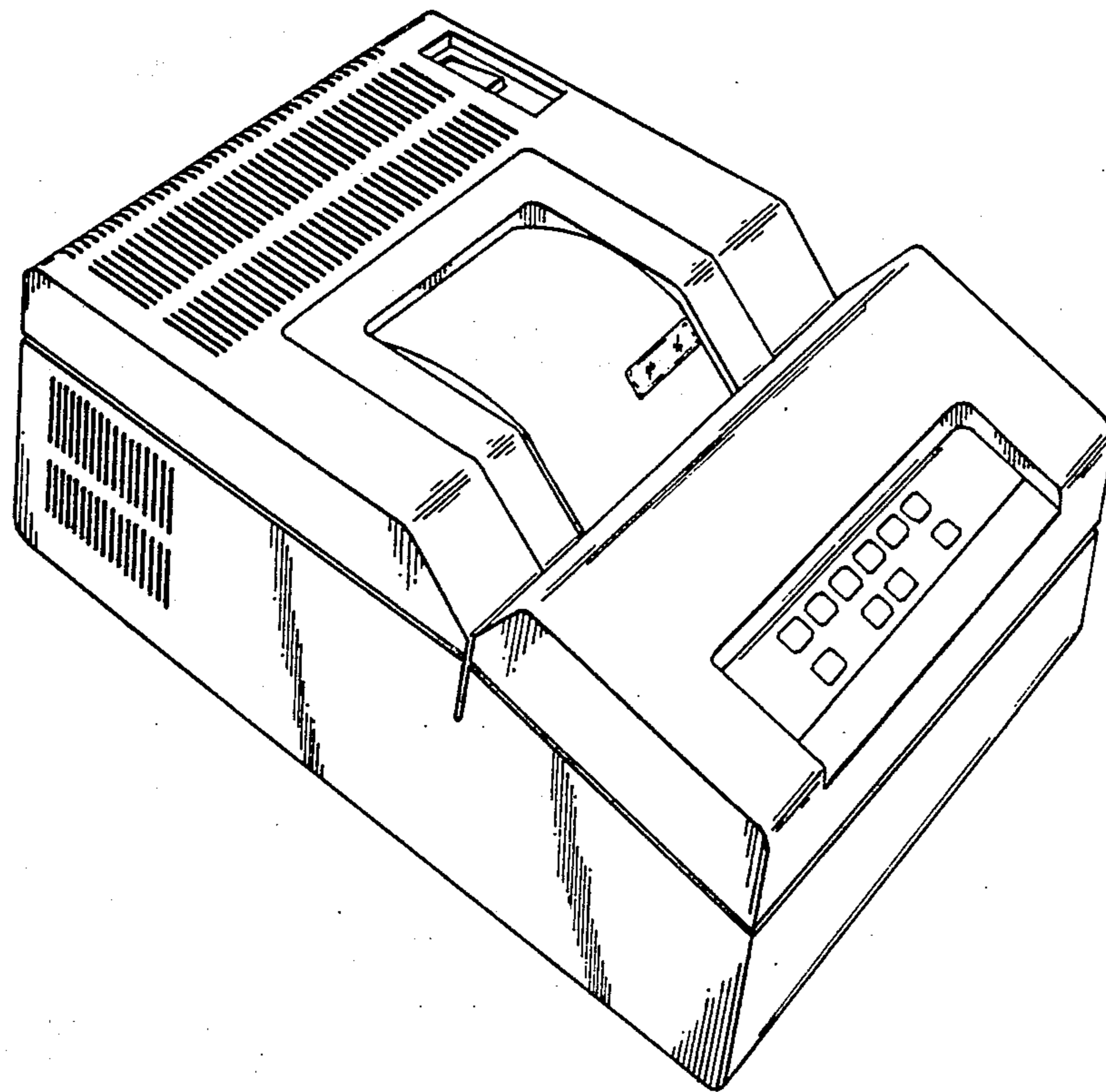


FIG. 1



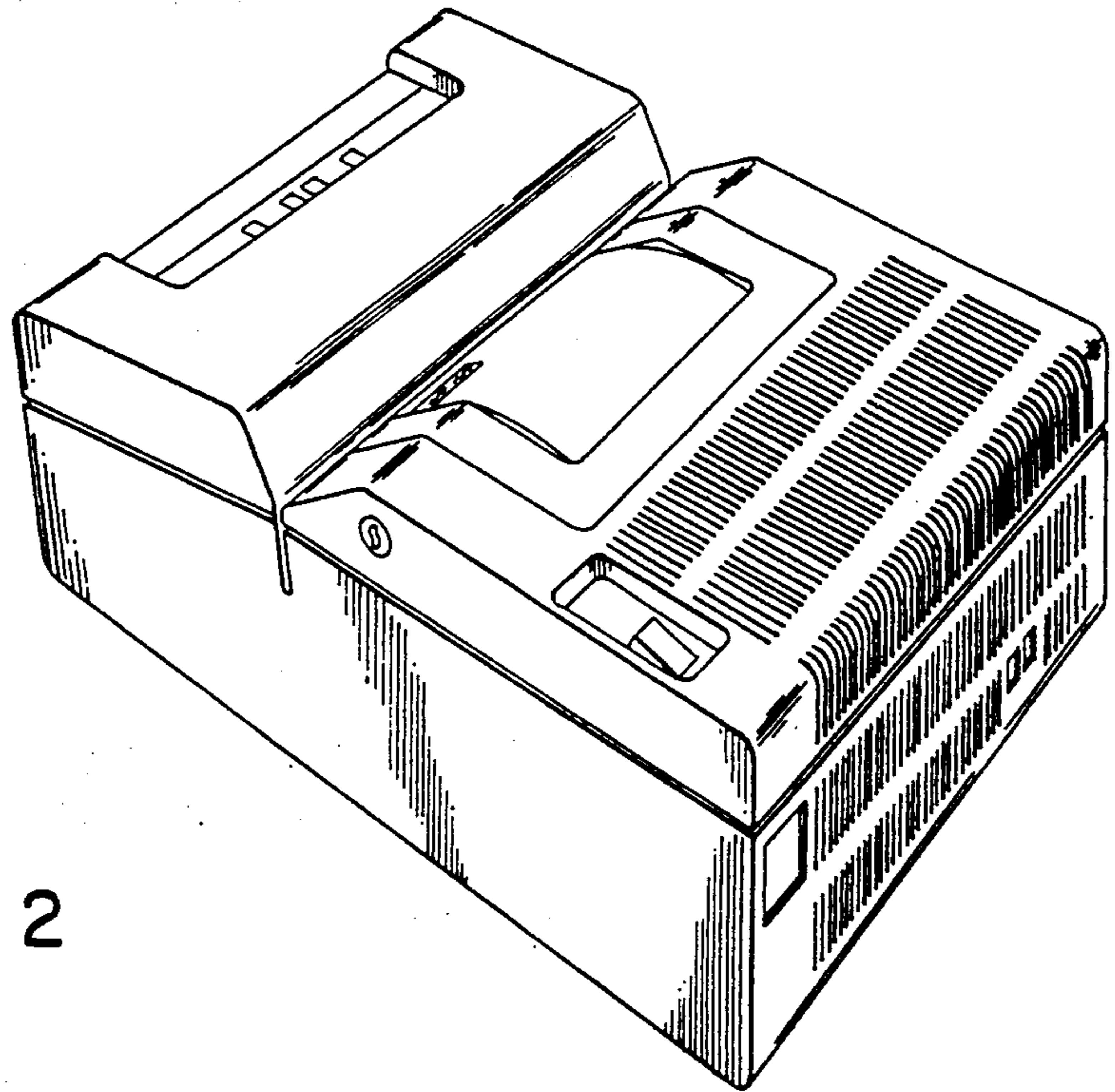


FIG. 2

FIG. 3

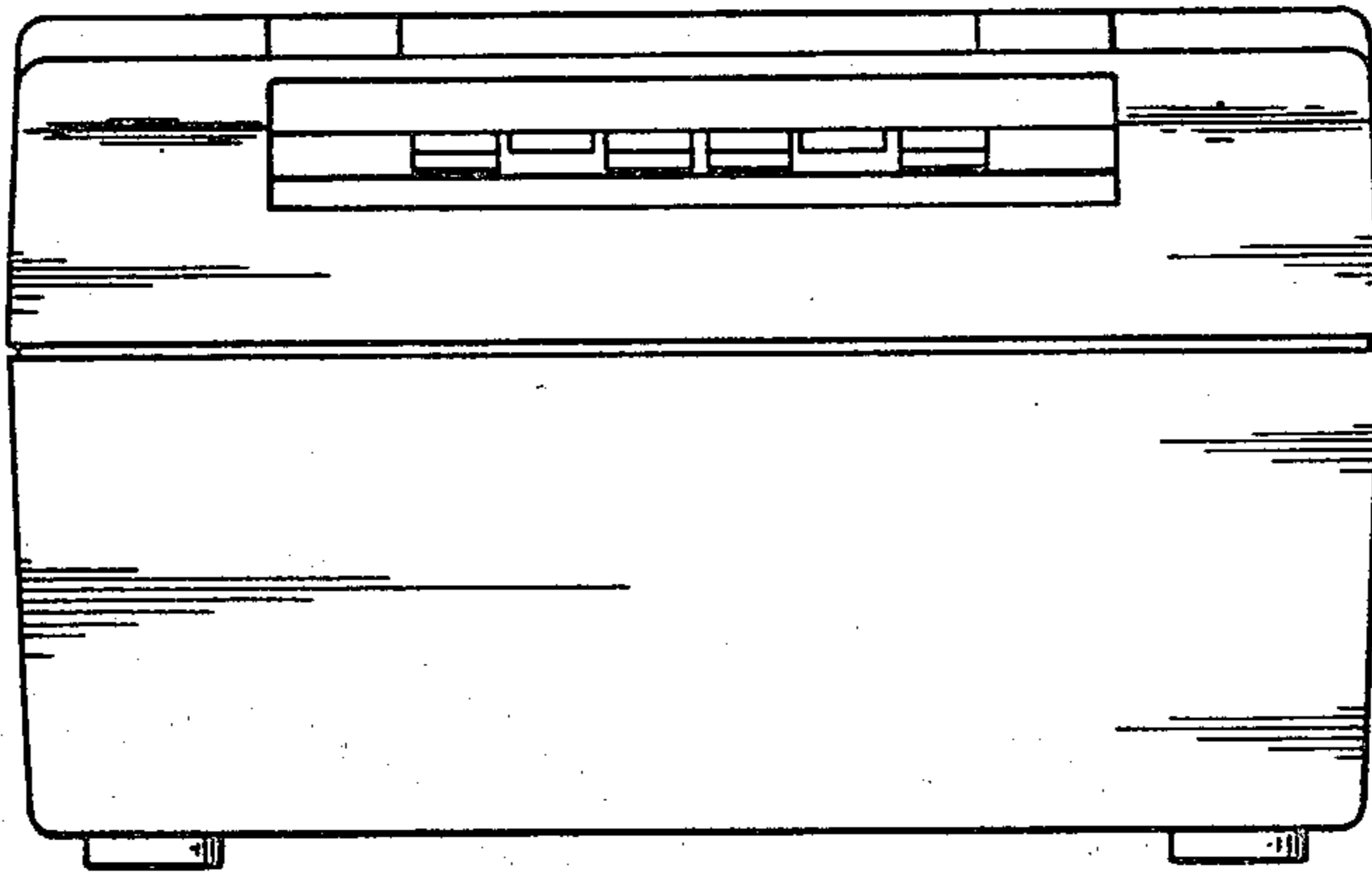


FIG. 4

