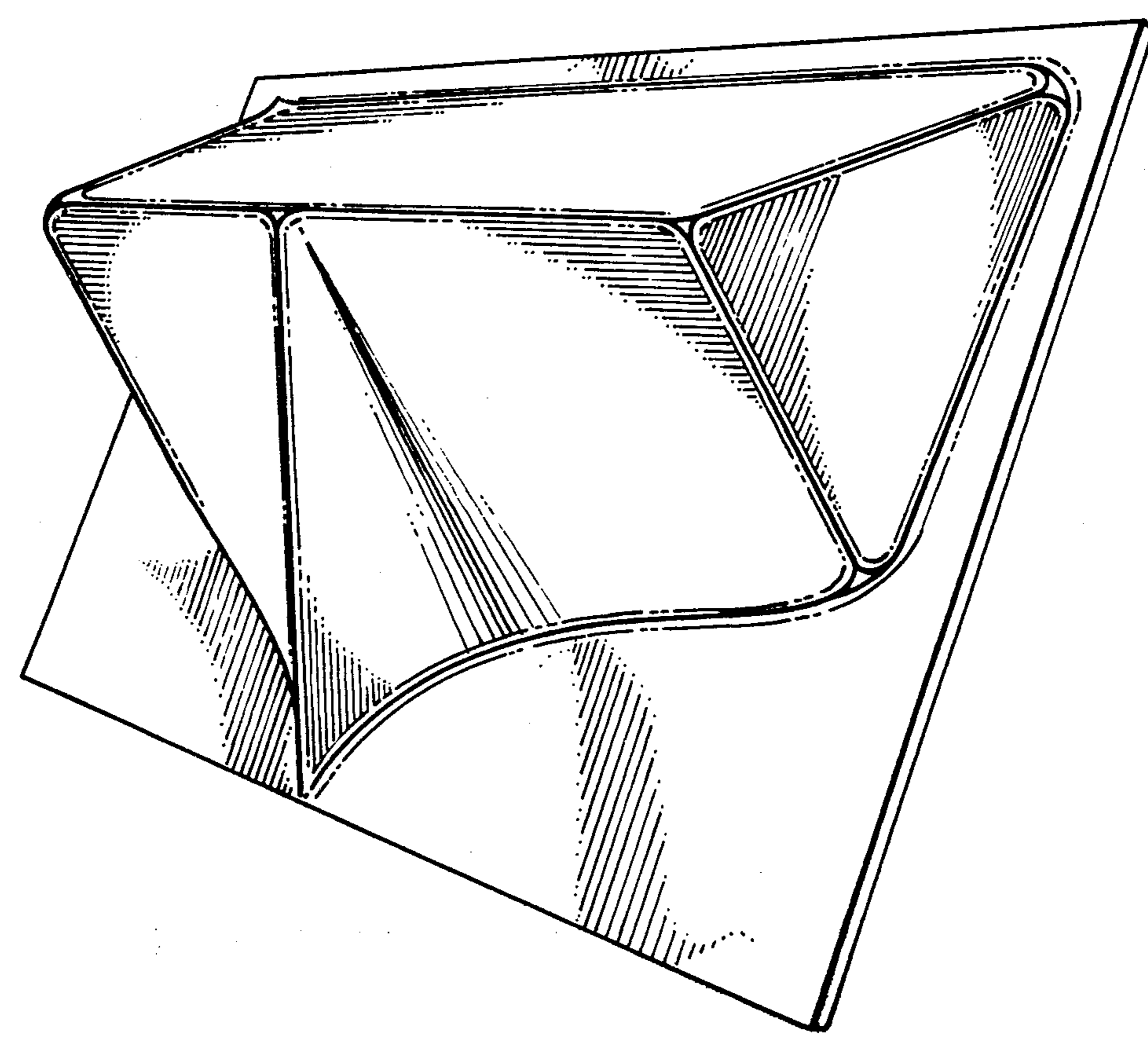


[54] **WIND DEFLECTOR FOR VEHICLES**  
[76] Inventor: **Erven R. Walker**, 633 Shadydale, La Puente, Calif. 91744  
[\*\*] Term: **14 Years**  
[21] Appl. No.: **194,363**  
[22] Filed: **Oct. 6, 1980**  
[52] U.S. Cl. .... **D12/181**  
[58] Field of Search ..... **D12/181; 296/1 S, 91**

[56] **References Cited**  
**U.S. PATENT DOCUMENTS**  
4,098,534 7/1978 Wood ..... 296/1 S  
4,214,786 7/1980 Morrison ..... 296/1 S  
**FOREIGN PATENT DOCUMENTS**  
616163 1/1949 United Kingdom ..... 296/1 S

*Primary Examiner*—James M. Gandy  
[57] **CLAIM**  
The ornamental design for a wind deflector for vehicles, as shown and described.

**DESCRIPTION**  
FIG. 1 is a perspective view of a wind deflector for vehicles showing my new design, inclined at a slight angle for clarity of illustration;  
FIG. 2 is a front elevational view thereof;  
FIG. 3 is a bottom plan view thereof;  
FIG. 4 is a top plan view thereof;  
FIG. 5 is a rear elevational view thereof;  
FIG. 6 is a side elevational view thereof taken from the left of FIG. 2, and  
FIG. 7 is a side elevational view thereof taken from the right of FIG. 2.



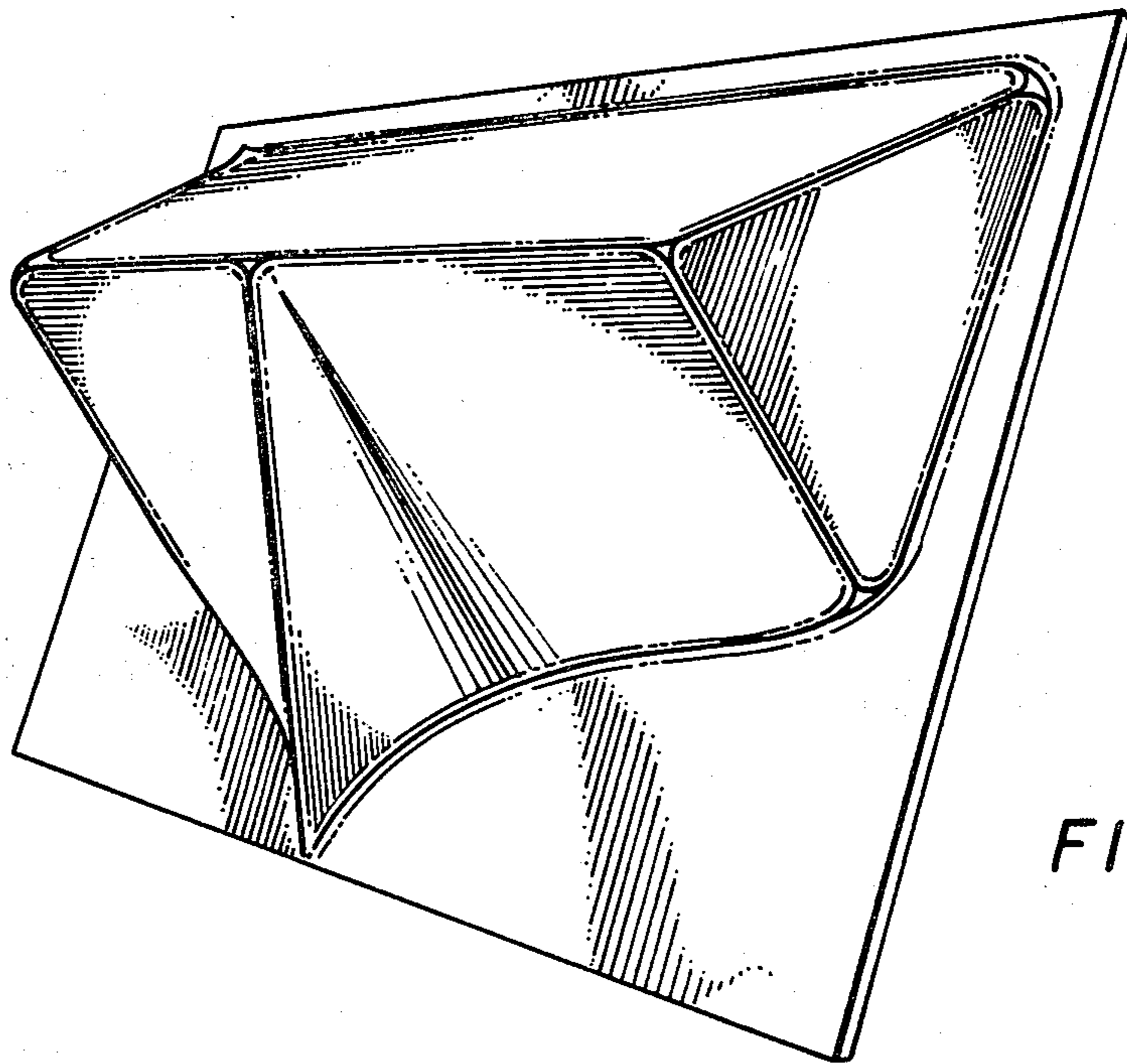


FIG. 1

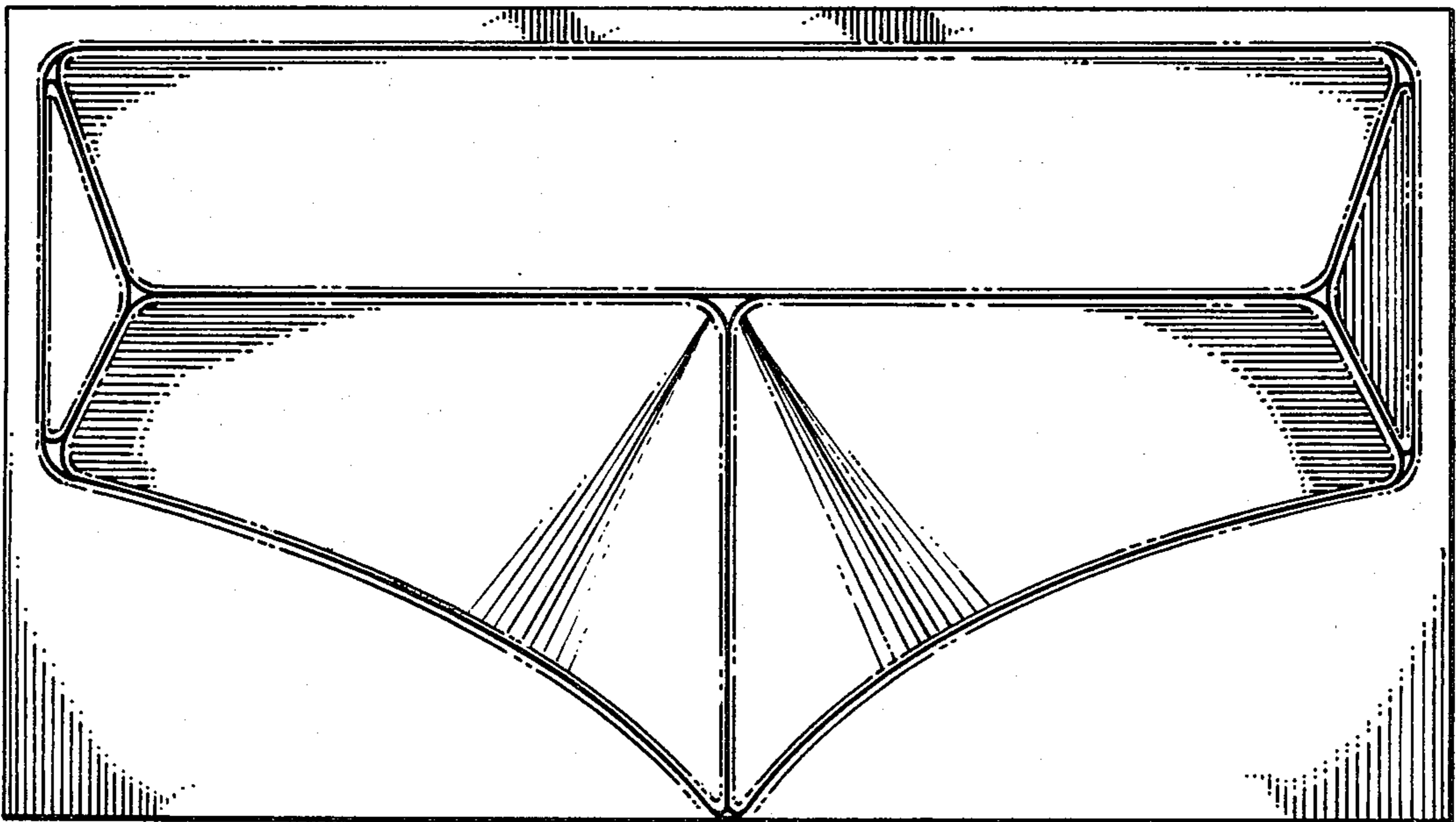


FIG. 2

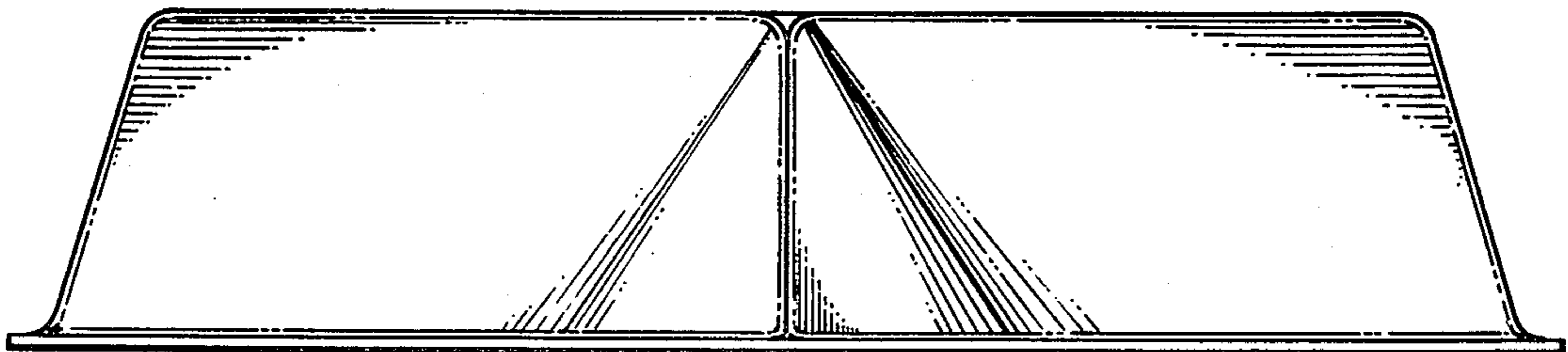


FIG. 3

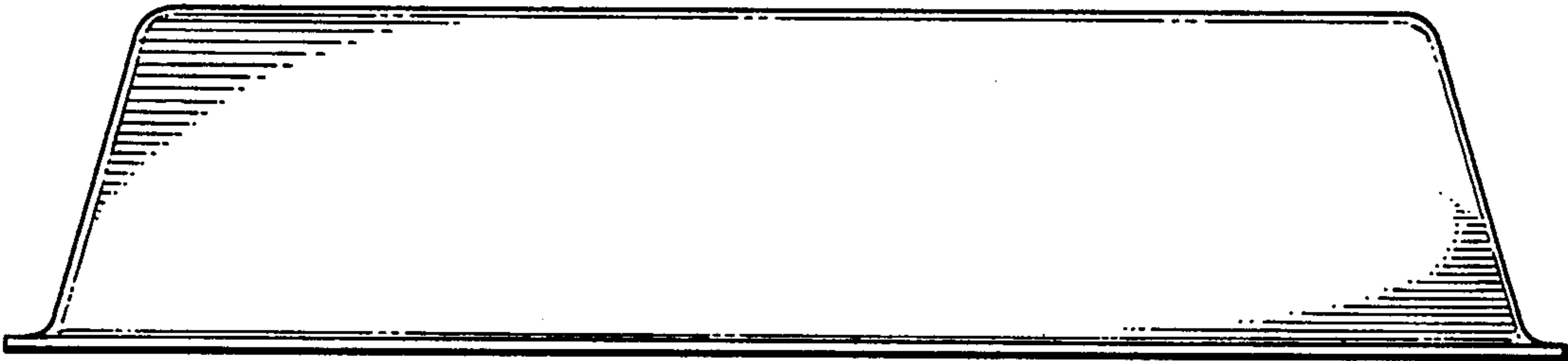


FIG. 4

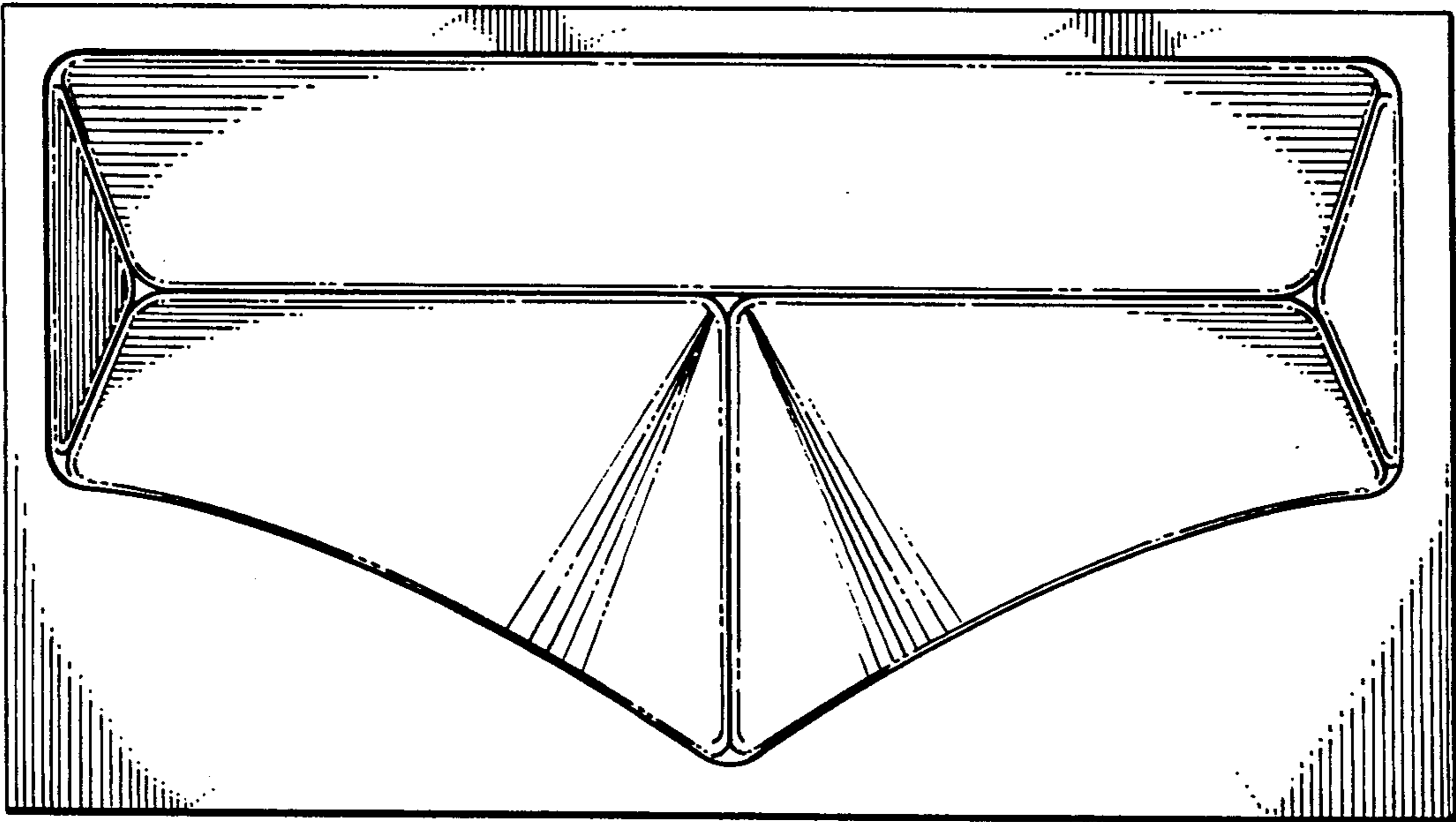


FIG. 5

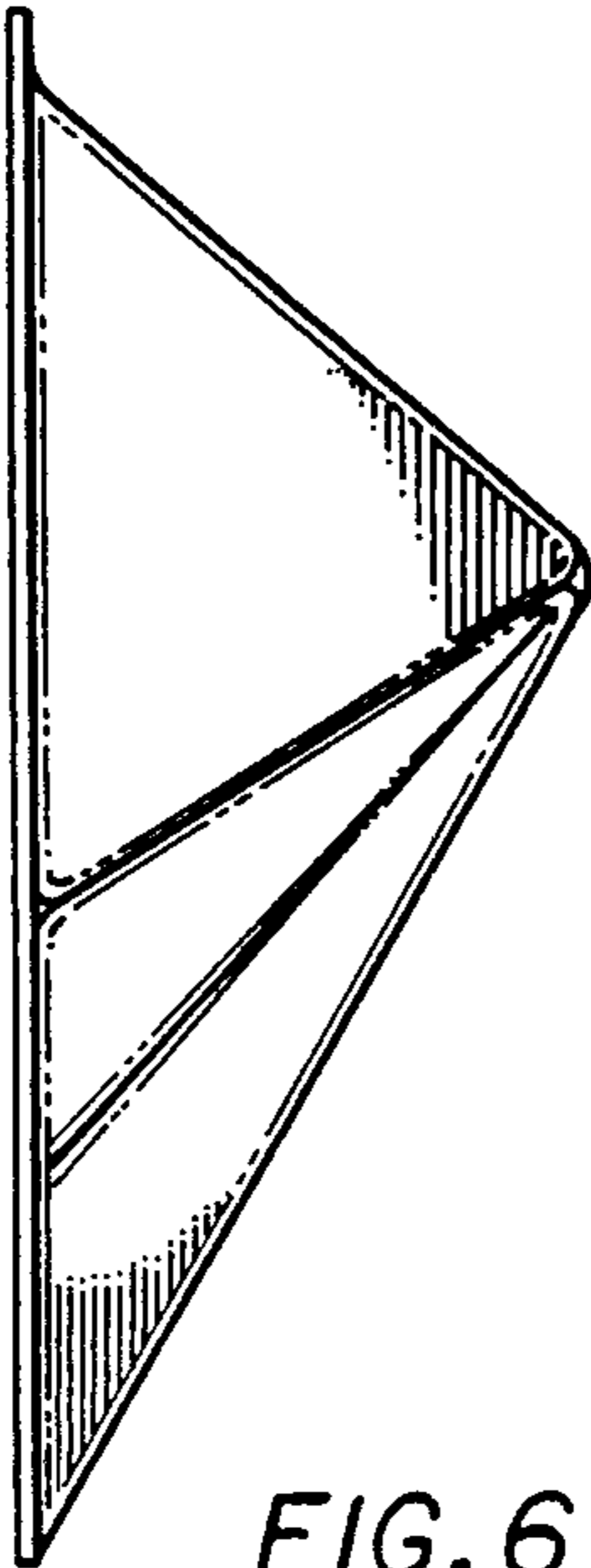


FIG. 6

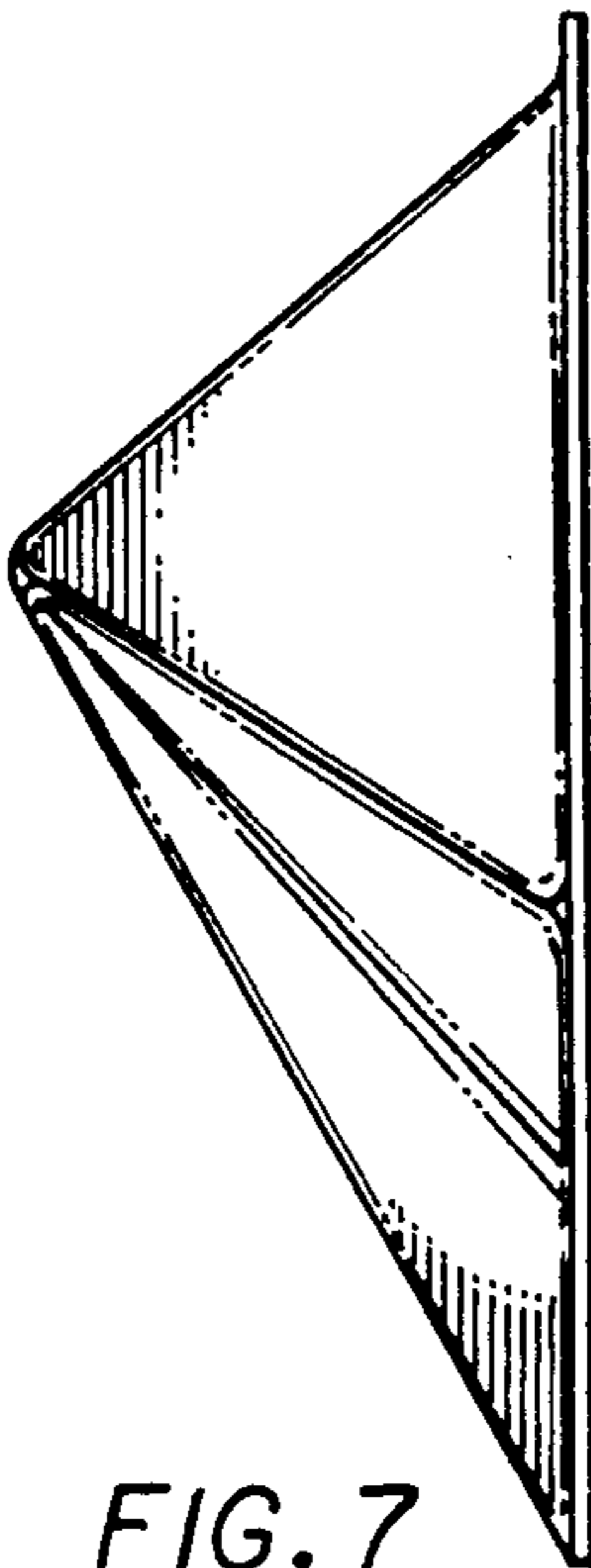


FIG. 7