

[54] COMBINED BELLOWS PUMP AND FLUID DISPENSING CONTAINER

[76] Inventor: Robert Bennett, 170 Sturbridge Rd., Easton, Conn. 06425

[\*\*] Term: 14 Years

[21] Appl. No.: 303,352

[22] Filed: Sep. 18, 1981

Related U.S. Application Data

[63] Continuation-in-part of Ser. No. D. 292,651, Aug. 13, 1981.

[52] U.S. Cl. .... D9/301; D9/375; D23/14

[58] Field of Search ..... D9/375, 402, 301; D23/14, 15, 161; 215/1 R, 1 C; 222/211, 401

References Cited

U.S. PATENT DOCUMENTS

D. 22,004 11/1892 Rodiger ..... D9/375

D. 127,591	6/1941	Reinecke	.....	D23/14
D. 165,671	1/1952	Stengren	.....	D9/375
D. 176,733	1/1956	Pollnow	.....	D23/14
D. 196,206	9/1963	Mandy	.....	D23/14
D. 225,329	12/1972	Barnett	.....	D23/14
D. 242,526	11/1976	CarréD9	.....	375/
D. 248,827	8/1978	Goldschmidt et al.	.....	D9/301
4,087,024	5/1978	Martin et al.	.....	222/211
4,274,562	6/1981	Medeiros et al.	.....	222/401

Primary Examiner—Robert C. Spangler

[57] CLAIM

The ornamental design for a combined bellows pump and fluid dispensing container, as shown and described.

DESCRIPTION

FIG. 1 is a front perspective view of a combined bellows pump and fluid dispensing container showing my new design;

FIG. 2 is a side view thereof;

FIG. 3 is a front view thereof;

FIG. 4 is a top view thereof;

FIG. 5 is a bottom view thereof; and

FIG. 6 is a rear view thereof.

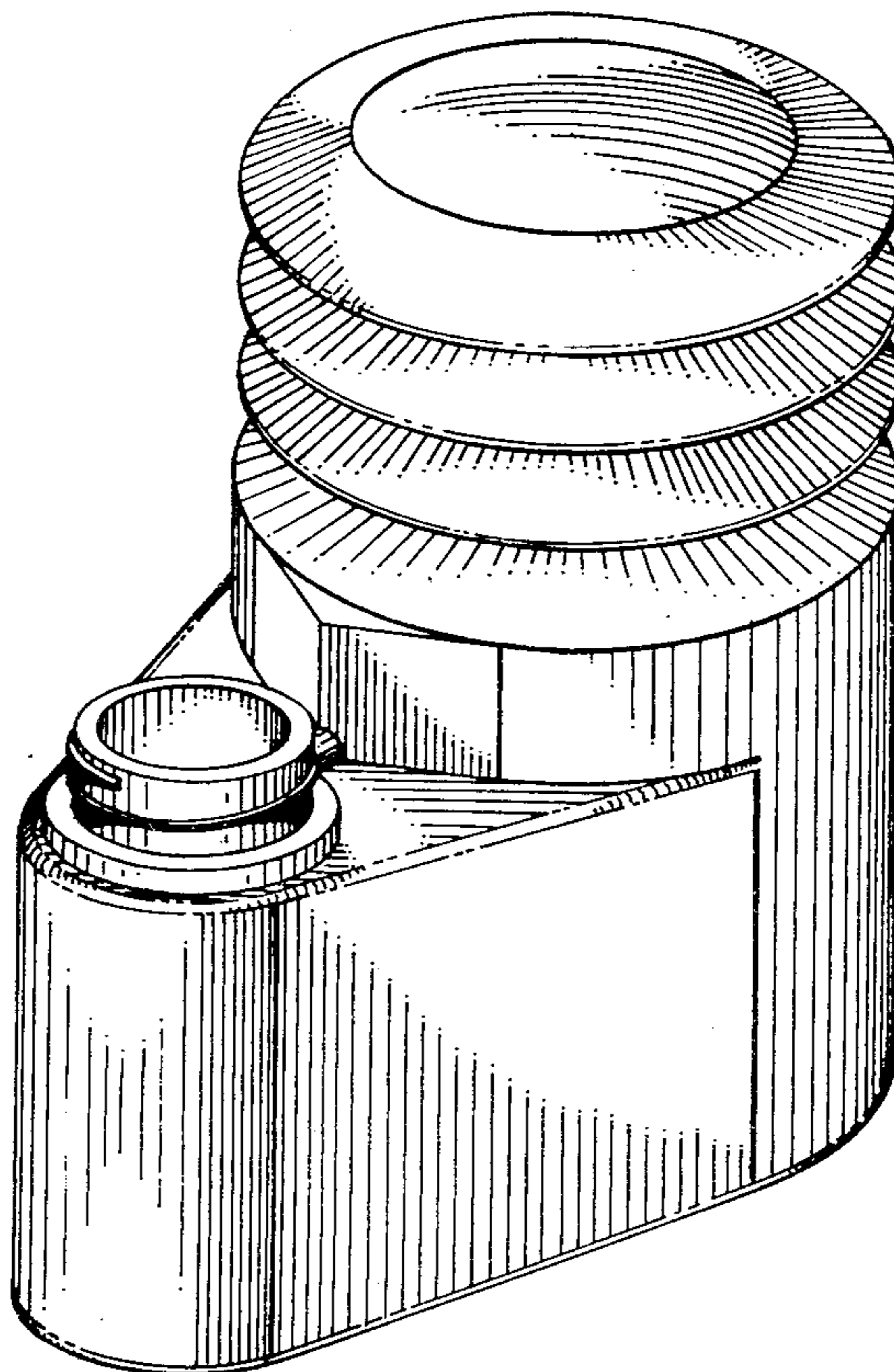


FIG. 1

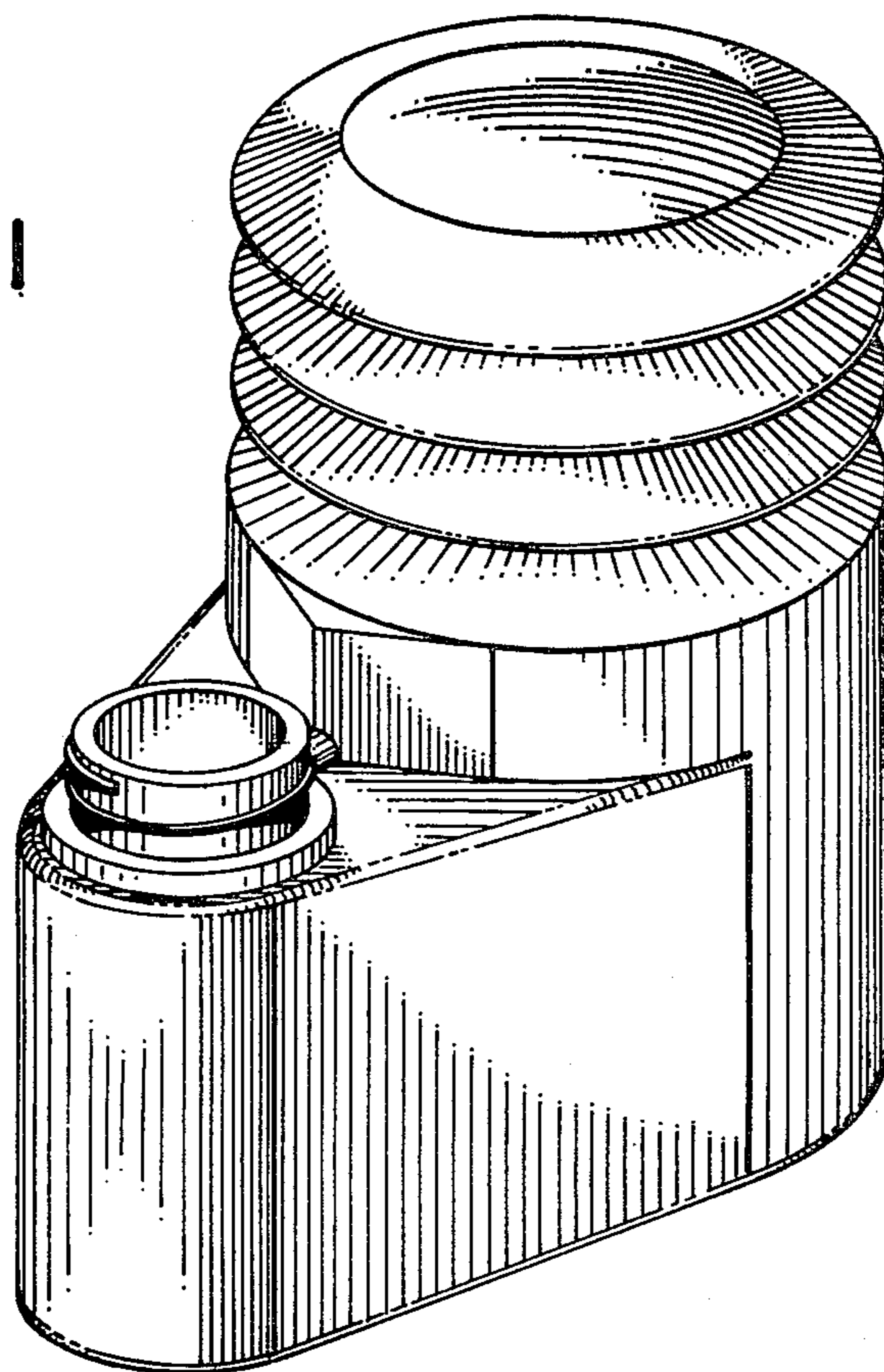


FIG. 2

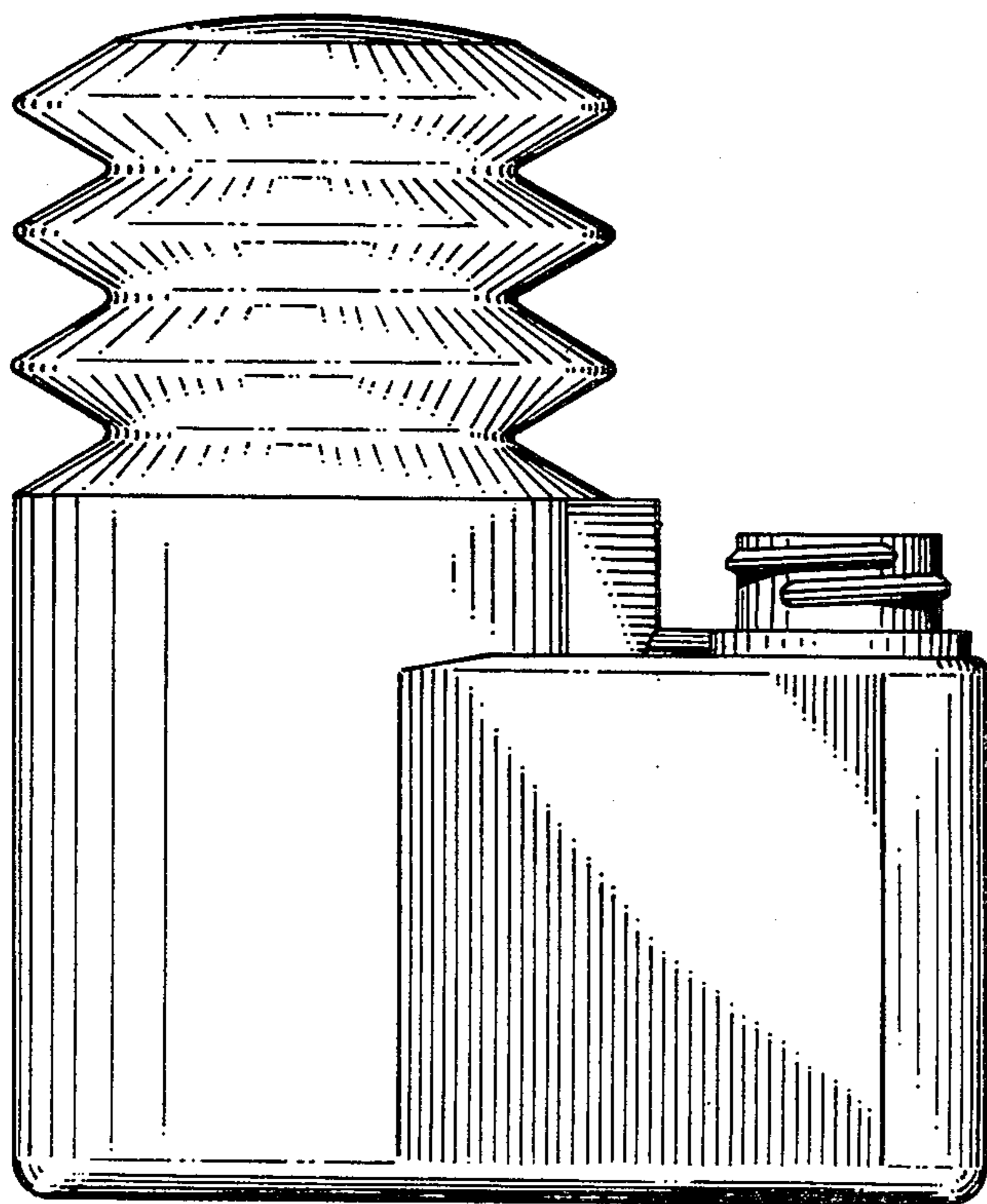


FIG. 3

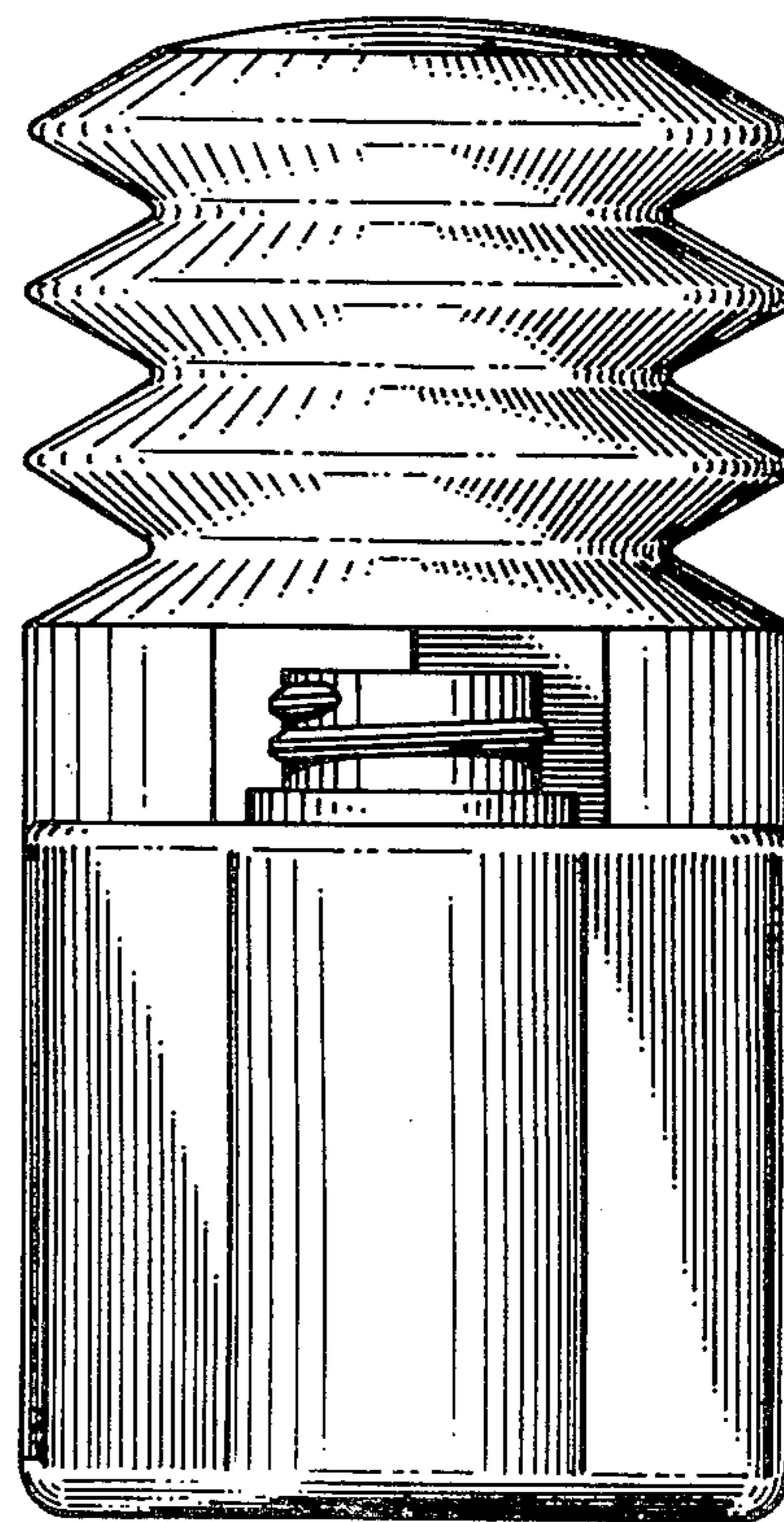


FIG.4

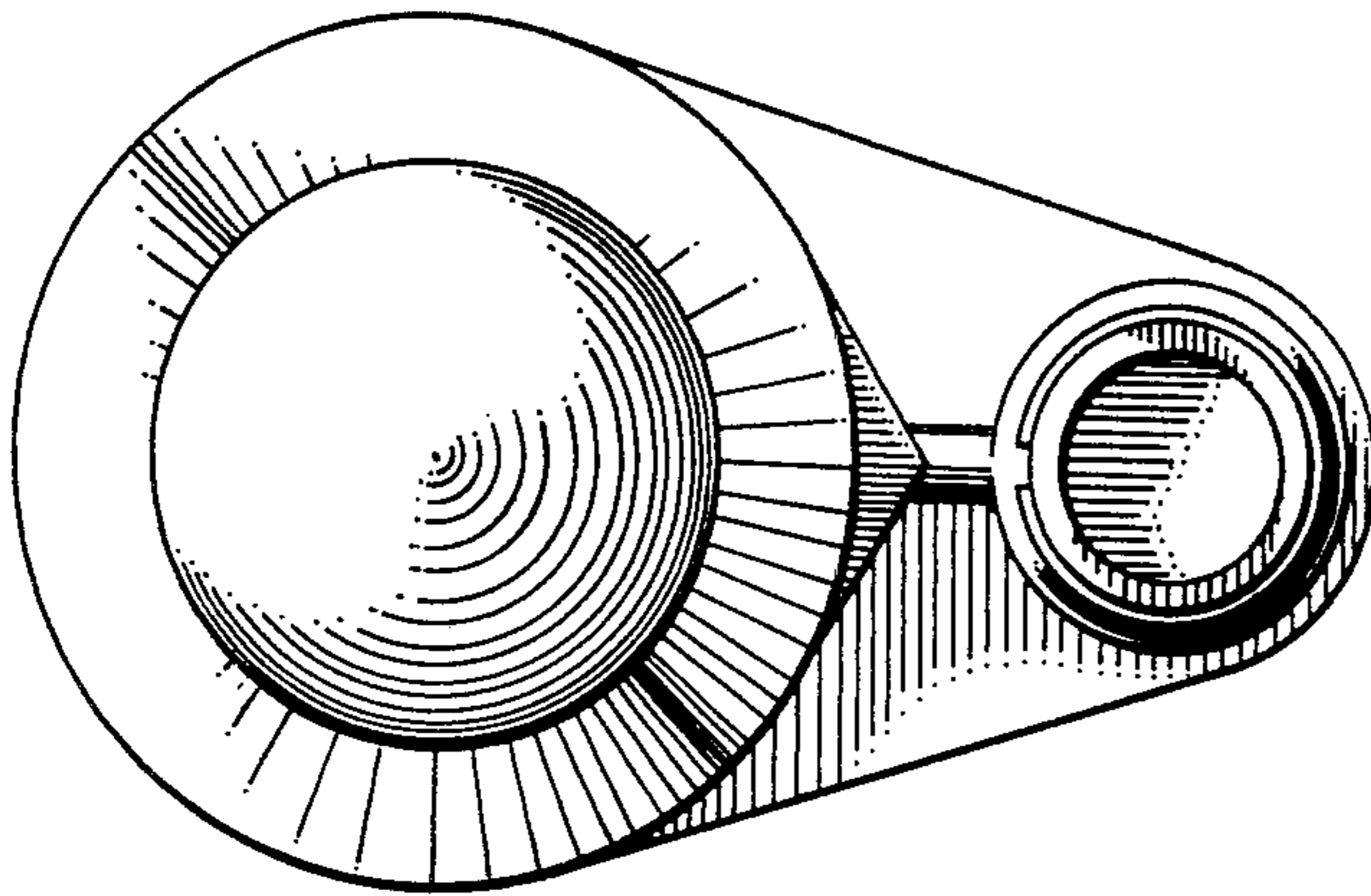


FIG.6

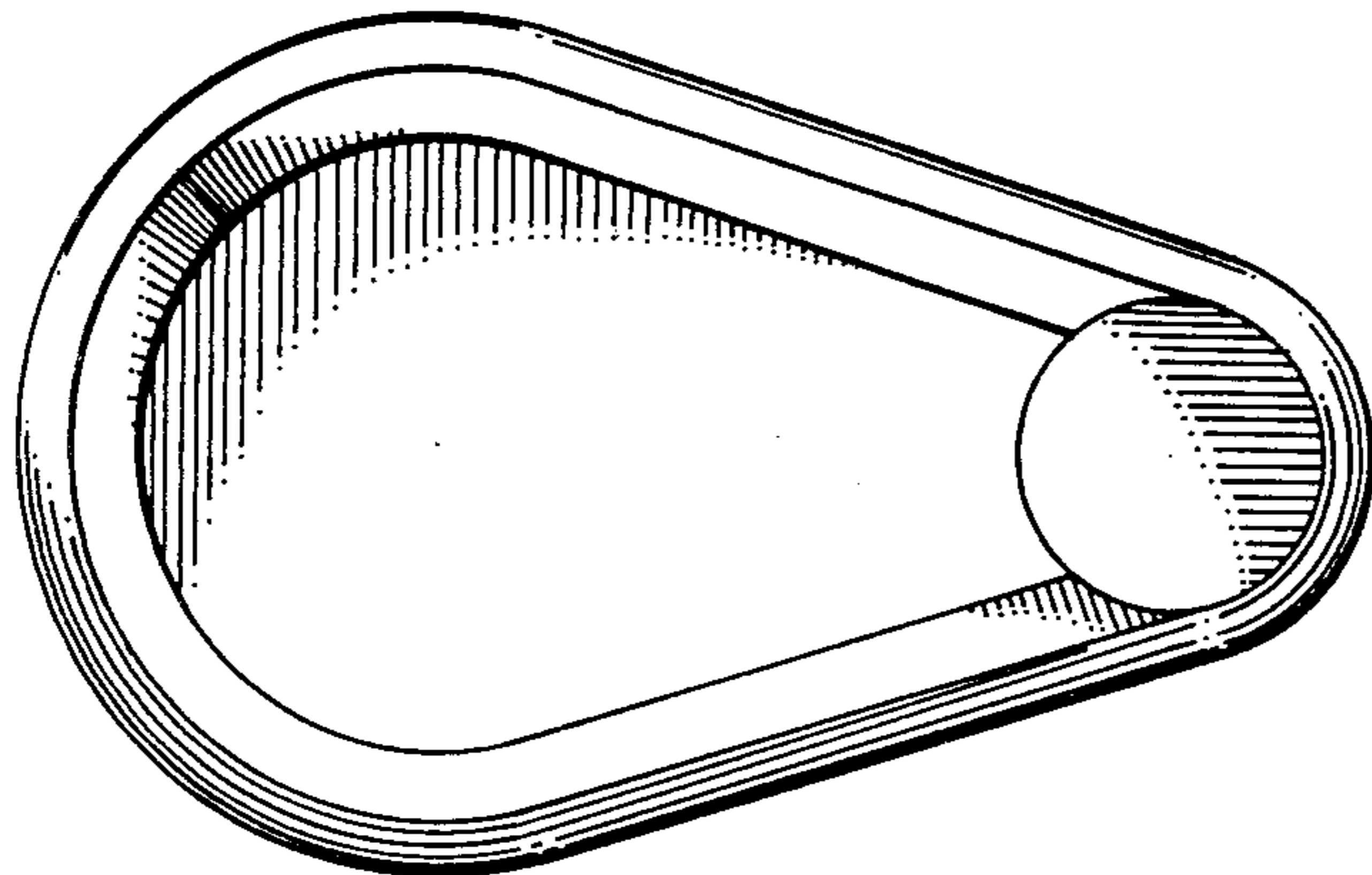
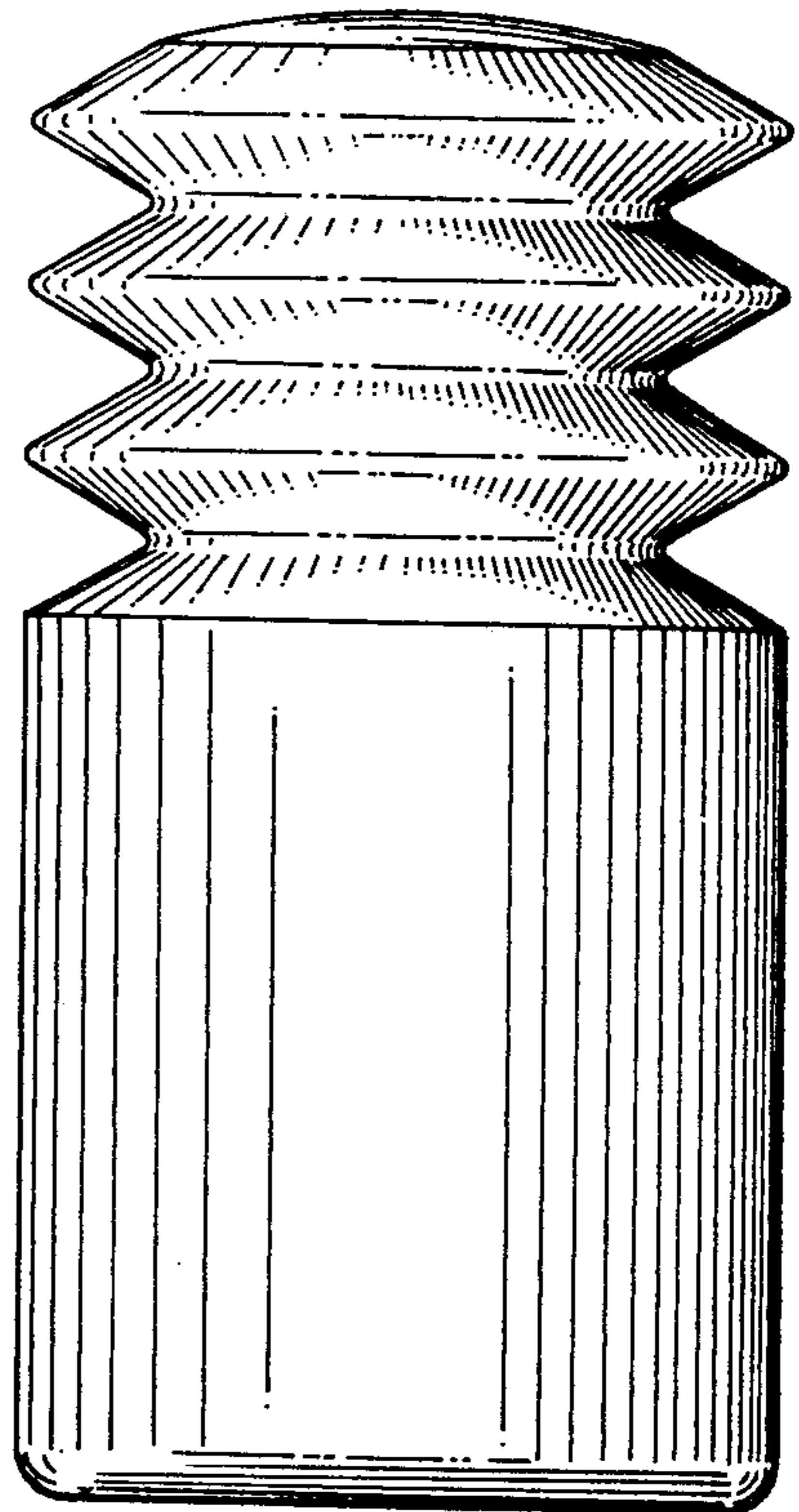


FIG.5