

[54] MUFFLER CLAMP

[76] Inventor: Michael H. Piper, 6901 SE. 14th St., Apt. 158, Des Moines, Iowa 50320

[**] Term: 14 Years

[21] Appl. No.: 289,000

[22] Filed: Jul. 31, 1981

[52] U.S. Cl. D8/396

[58] Field of Search D8/382, 394, 396; 285/382.2, 420; 24/277; 248/68 R, 74.1

[56] References Cited

U.S. PATENT DOCUMENTS

D. 204,313	4/1966	Engman et al.	D8/396
2,719,345	10/1955	Riker	D8/396
2,959,834	11/1960	Graham et al.	24/277
2,993,255	7/1961	Jagiel	285/420
3,055,072	9/1962	Brown	D8/396
3,919,747	11/1975	Offterdinger	24/277
3,955,250	5/1976	Heckeyhorn	24/277

4,079,487	3/1978	Coop, Sr.	24/277
4,180,286	12/1979	Ginter, Jr.	285/382.2

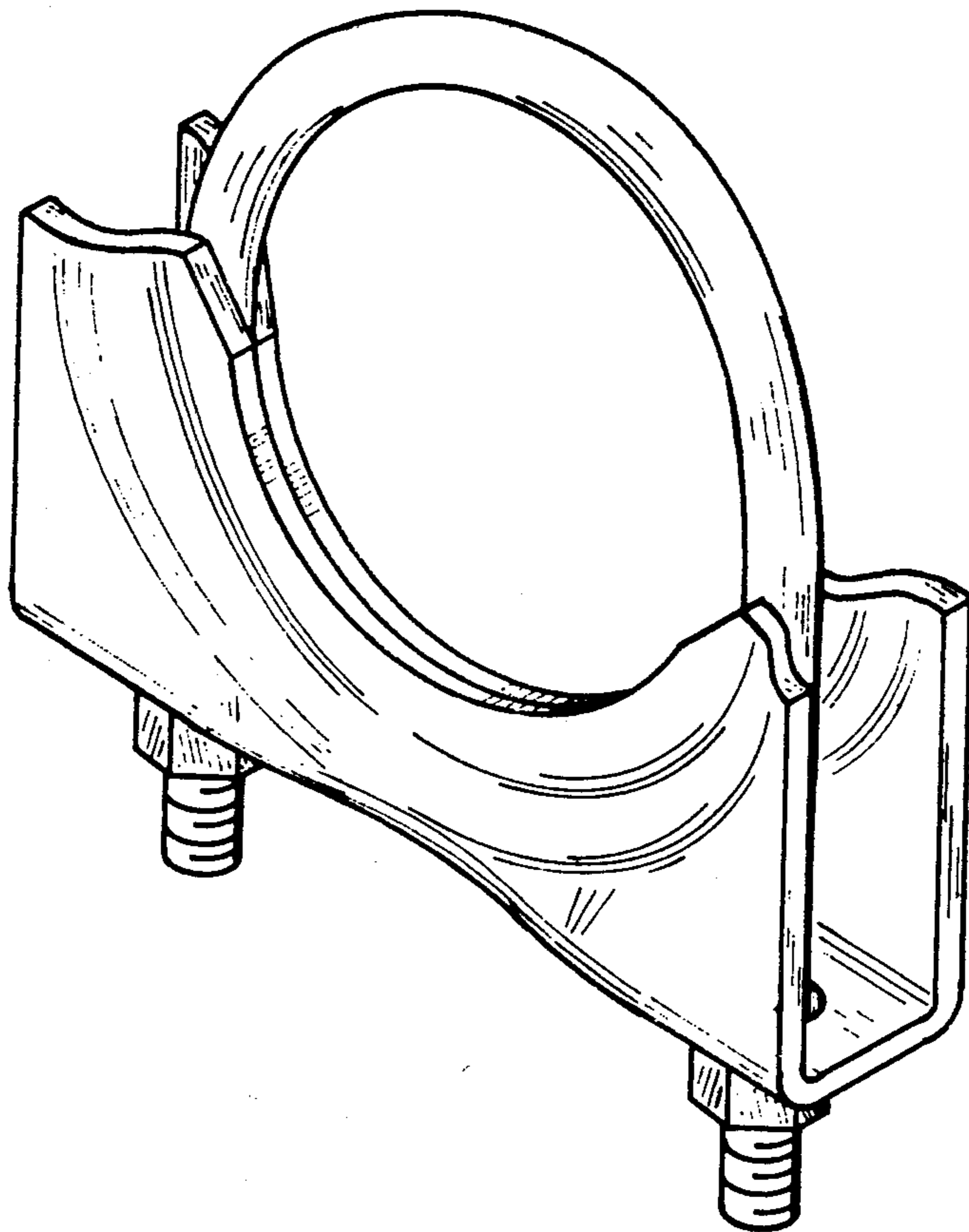
Primary Examiner—B. J. Bullock
Attorney, Agent, or Firm—G. Brian Pingel; Kent A. Herink

[57] CLAIM

The ornamental design for a muffler clamp, substantially as shown.

DESCRIPTION

FIG. 1 is a perspective view of a muffler clamp showing my new design;
FIG. 2 is a side elevational view thereof, the opposite side being a mirror image of the side shown;
FIG. 3 is an end elevational view thereof with a portion of the U-bolt cut away the opposite end being a mirror image of the end shown;
FIG. 4 is a top plan view thereof;
FIG. 5 is a bottom plan view thereof; and
FIG. 6 is a sectional view taken in the direction of the arrows on line 6—6 of FIG. 2.



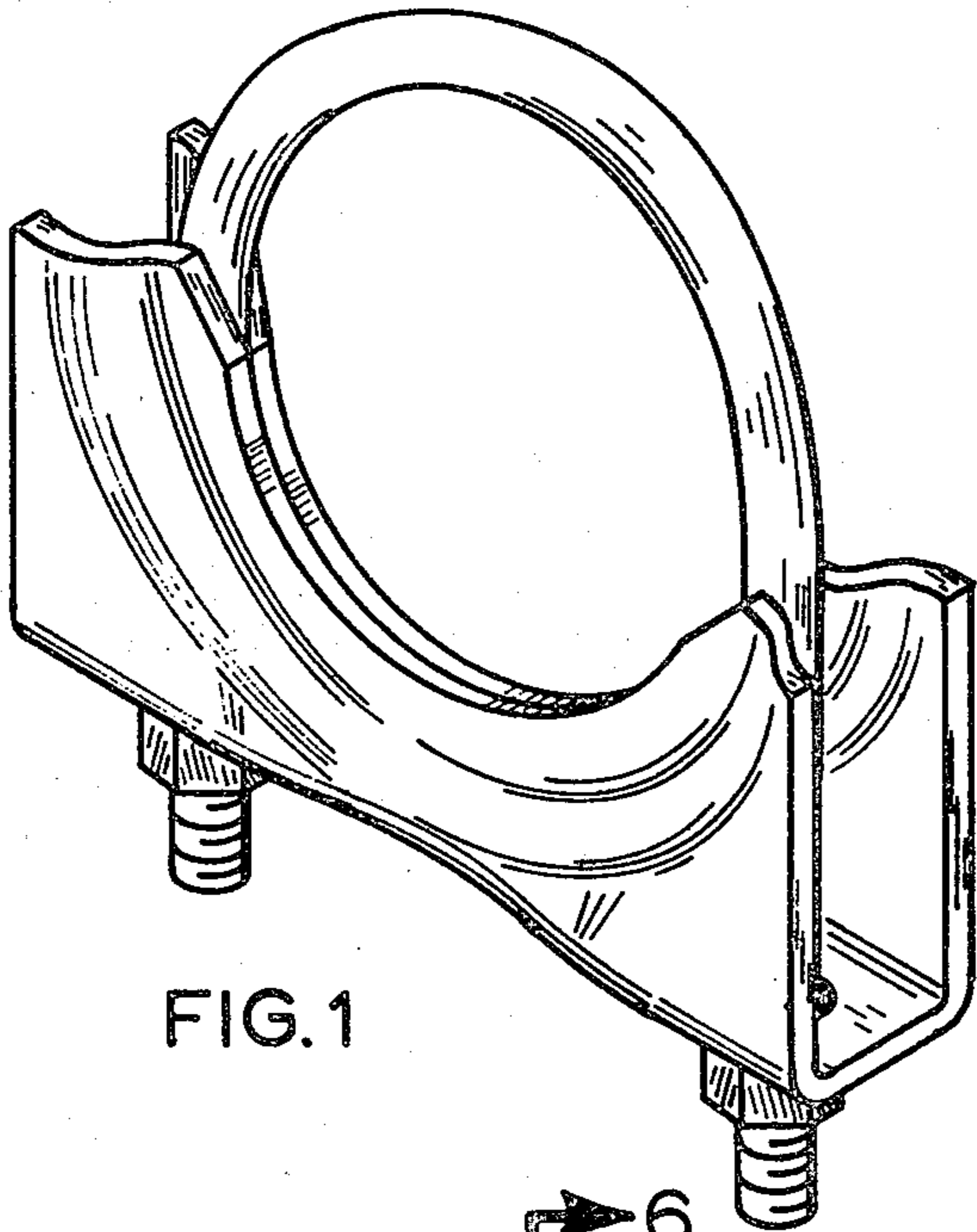


FIG. 1

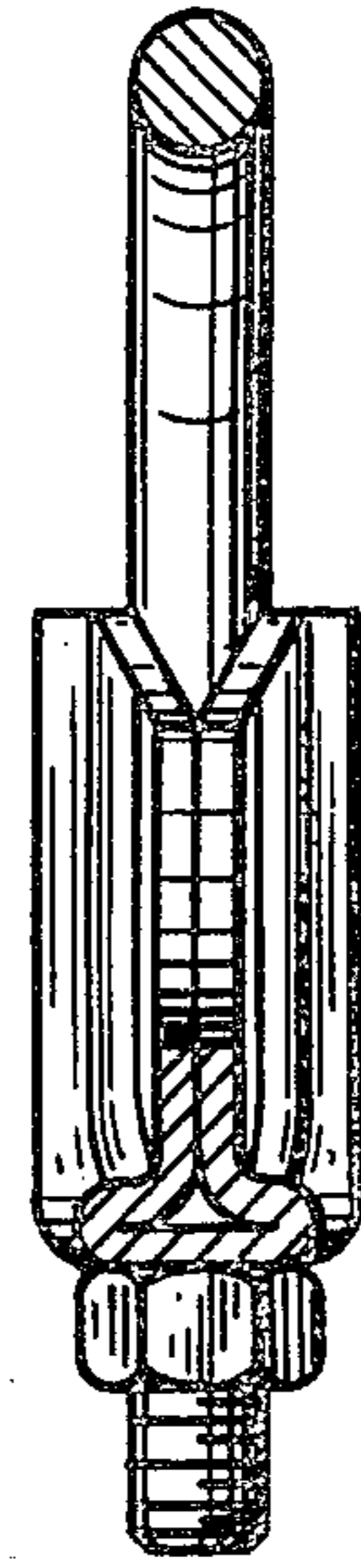


FIG. 6

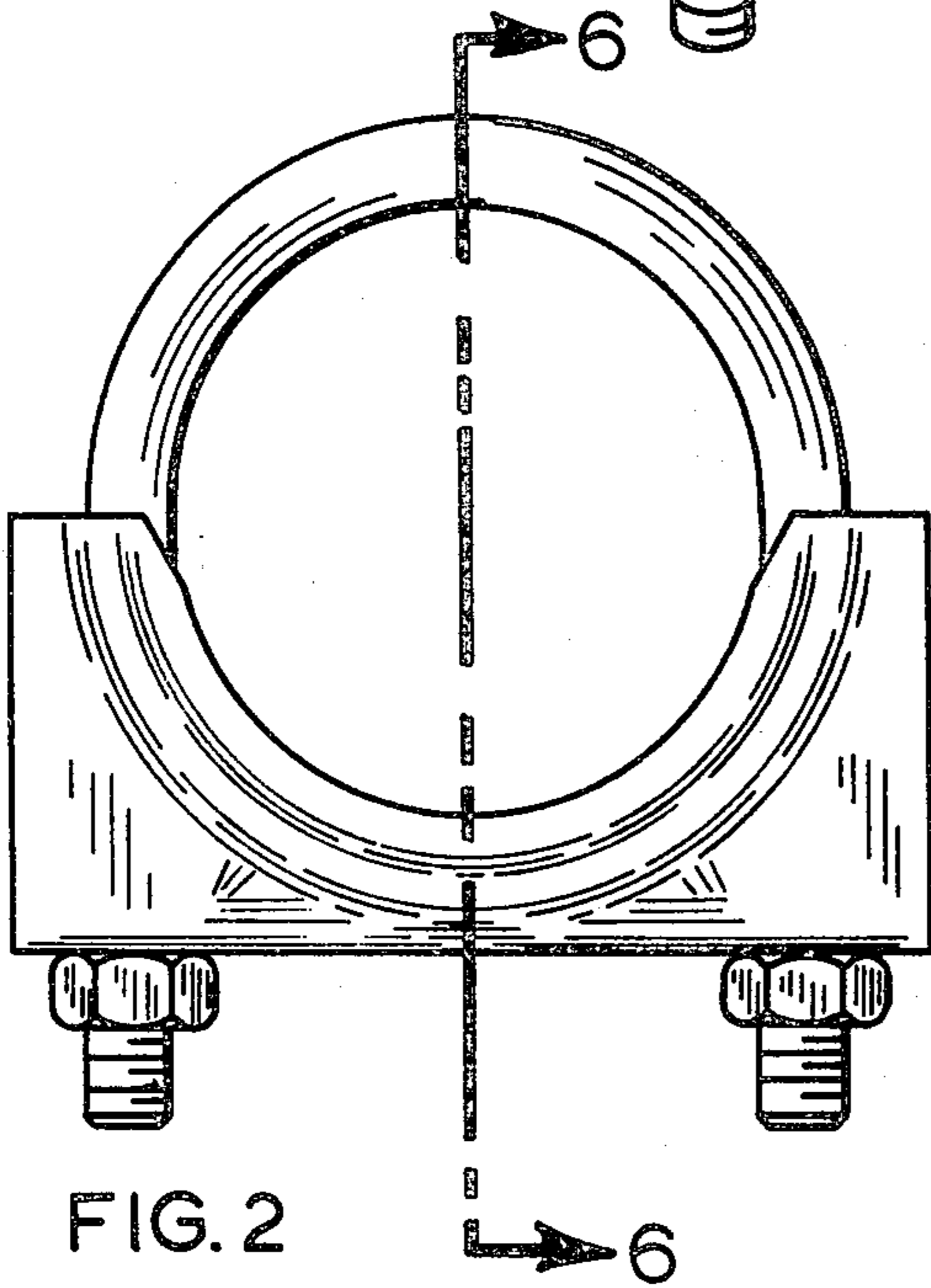


FIG. 2

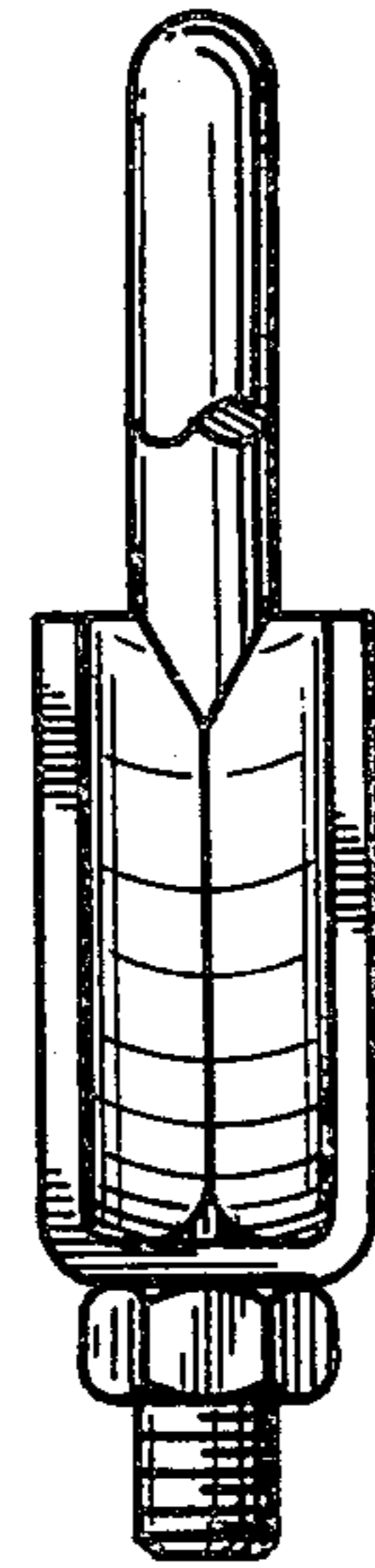


FIG. 3

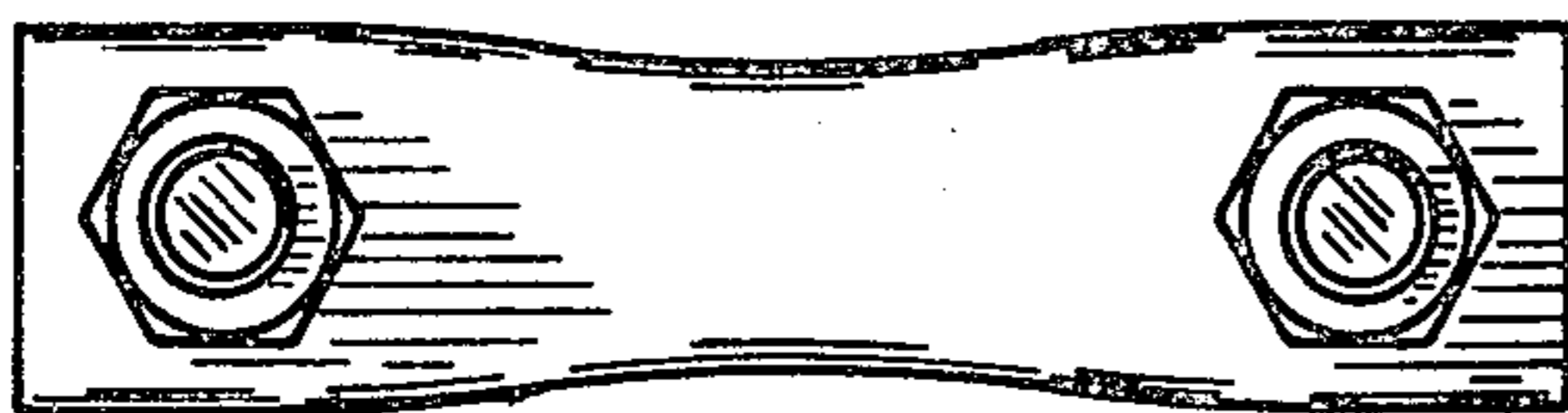


FIG. 5

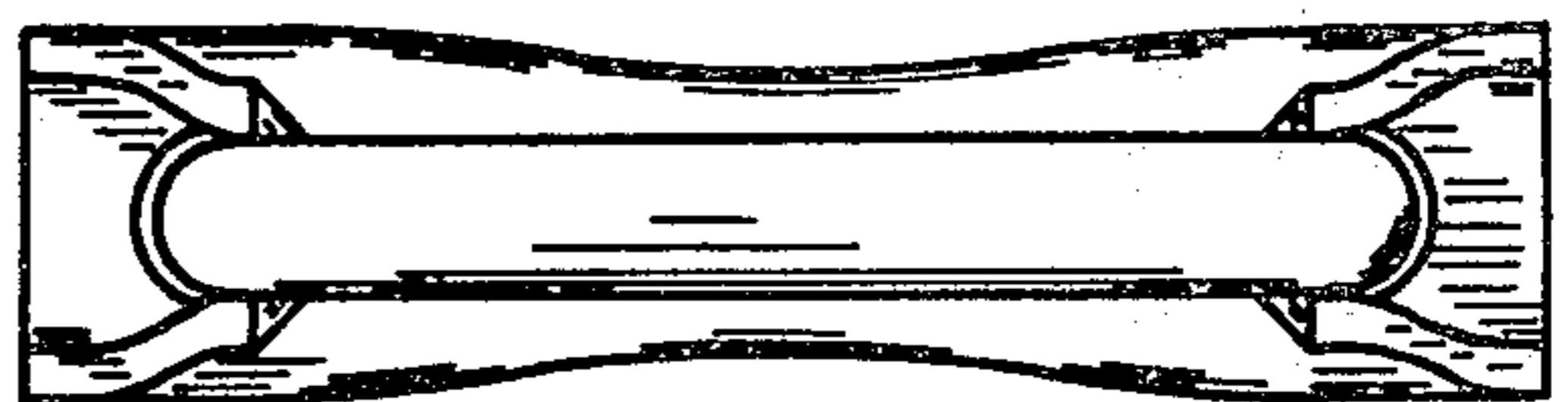


FIG. 4