

[54] CHAIN SAW GUARD

[76] Inventor: Henry J. Servicky, 4420 W. 51st St., Cleveland, Ohio 44144

[**] Term: 14 Years

[21] Appl. No.: 298,871

[22] Filed: Sep. 3, 1981

[52] U.S. Cl. D8/70

[58] Field of Search D8/64, 65, 68, 70; 30/382

[56] References Cited

U.S. PATENT DOCUMENTS

- D. 171,449 2/1954 Hazzard et al. D8/65
- D. 208,686 9/1967 Torokvei D8/70
- 4,193,193 3/1980 Holzworth 30/382

FOREIGN PATENT DOCUMENTS

767948 9/1967 Canada 30/382

Primary Examiner—Susan J. Lucas
Attorney, Agent, or Firm—John M. Romanchik, Jr.

[57] CLAIM

The ornamental design for a chain saw guard, as shown and described.

DESCRIPTION

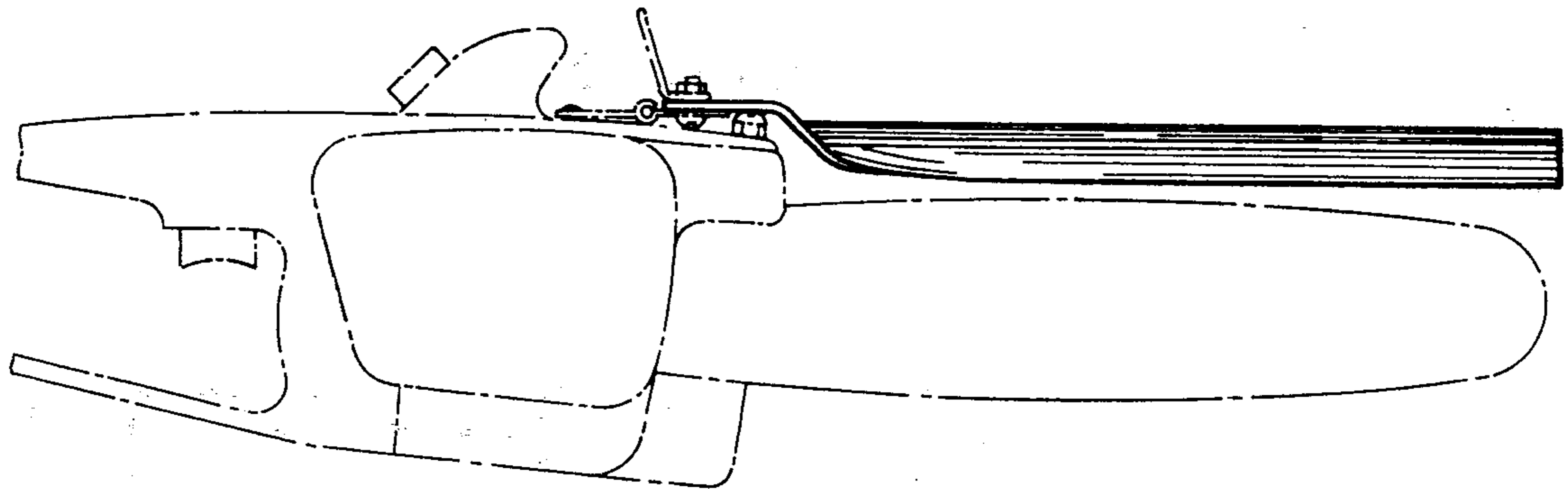
FIG. 1 is a side view of a chain saw guard showing my new design, the chain saw being shown in broken lines for illustrative purposes only;

FIG. 2 is a top view thereof on an enlarged scale;

FIG. 3 is a bottom view thereof on an enlarged scale;

FIG. 4 is a front view thereof on an enlarged scale;

FIG. 5 is a rear view thereof on an enlarged scale.



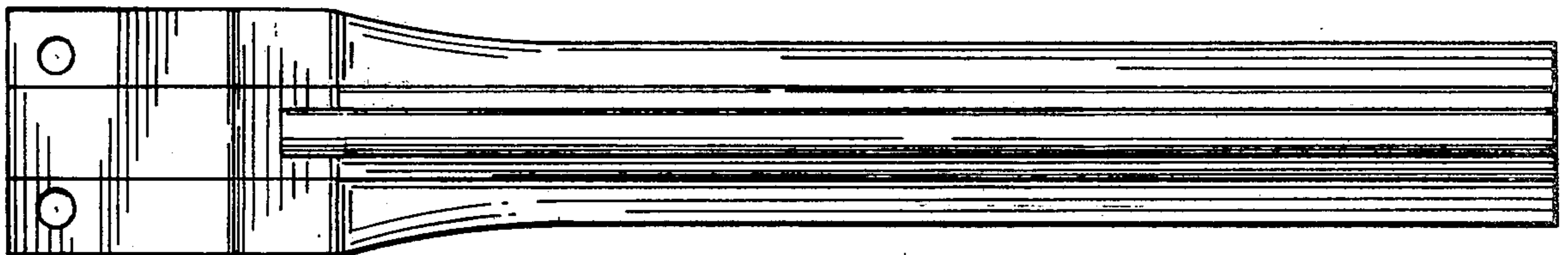
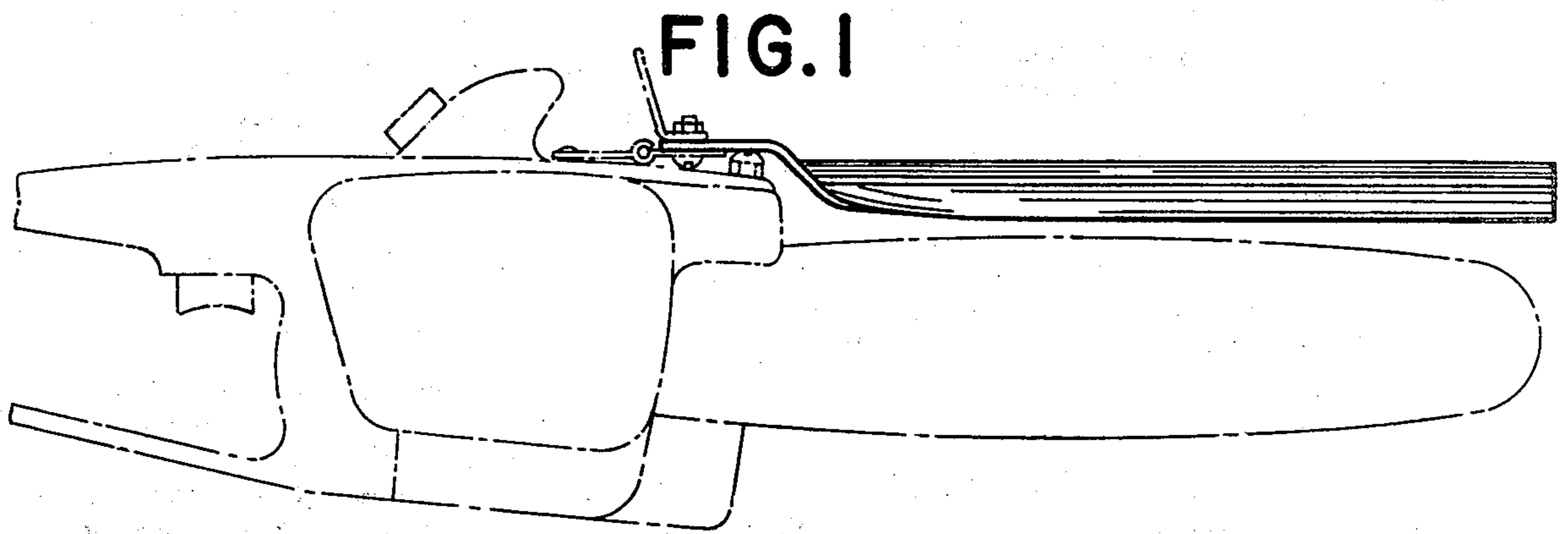


FIG. 2

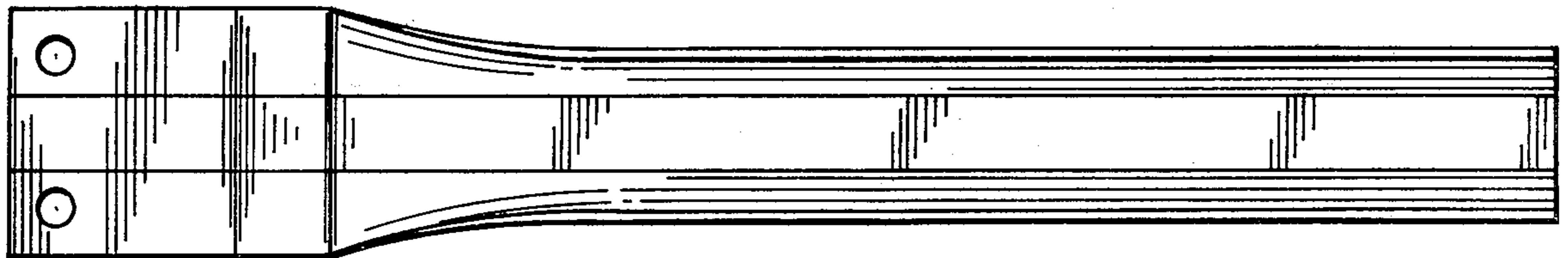


FIG. 3

FIG. 4

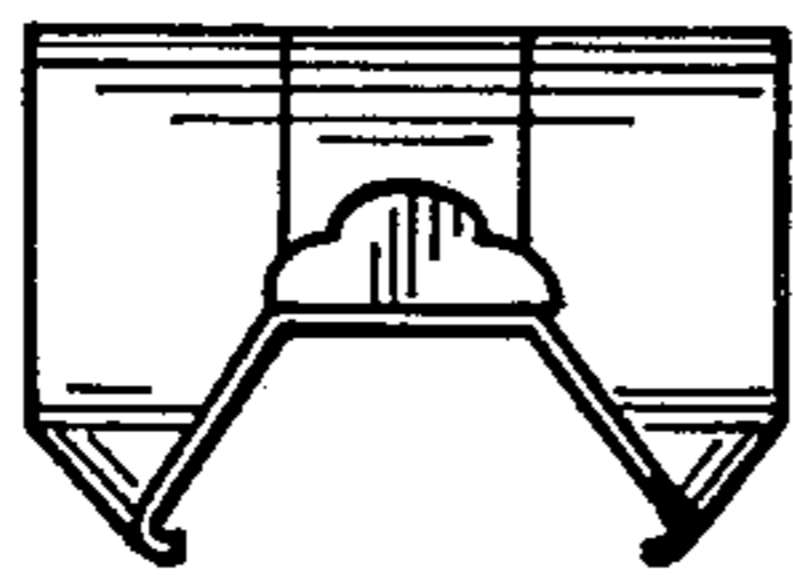


FIG. 5

