

[54] **COMBINED WATER BRACKET AND CAM-TYPE LATCH**

3,437,306 4/1969 Gates D8/384
 4,158,452 6/1979 Gates 249/219 R
 4,304,388 12/1981 Gates 249/219 W

[75] Inventor: **H. Gordon Gates, Denver, Colo.**

[73] Assignee: **Gates & Sons, Inc., Denver, Colo.**

[**] Term: **14 Years**

[21] Appl. No.: **273,482**

[22] Filed: **Jun. 15, 1981**

[52] U.S. Cl. **D8/330**

[58] Field of Search D8/384, 382, 330, 394,
 D8/337, 349, DIG. 1-10; 249/219 W, 219 R,
 219, DIG. 38, 45, 192; 248/221.3, 222.1, 235;
 292/240, 241, 242, 128, 95, 101, DIG. 20-30;
 D13/24; D7/393, 395, 102

OTHER PUBLICATIONS

Gates & Sons, Inc. *Information Brochure*, 4th Quarter 1964, vol. 11 ©1965, p. 4, "Cam-Lock Bracket" item.

Primary Examiner—J. Gandy

Assistant Examiner—H. B. Fay

Attorney, Agent, or Firm—Fields, Lewis, Pittenger & Rost

[57] **CLAIM**

The ornamental design for the combined water bracket and cam-type latch, as shown and described.

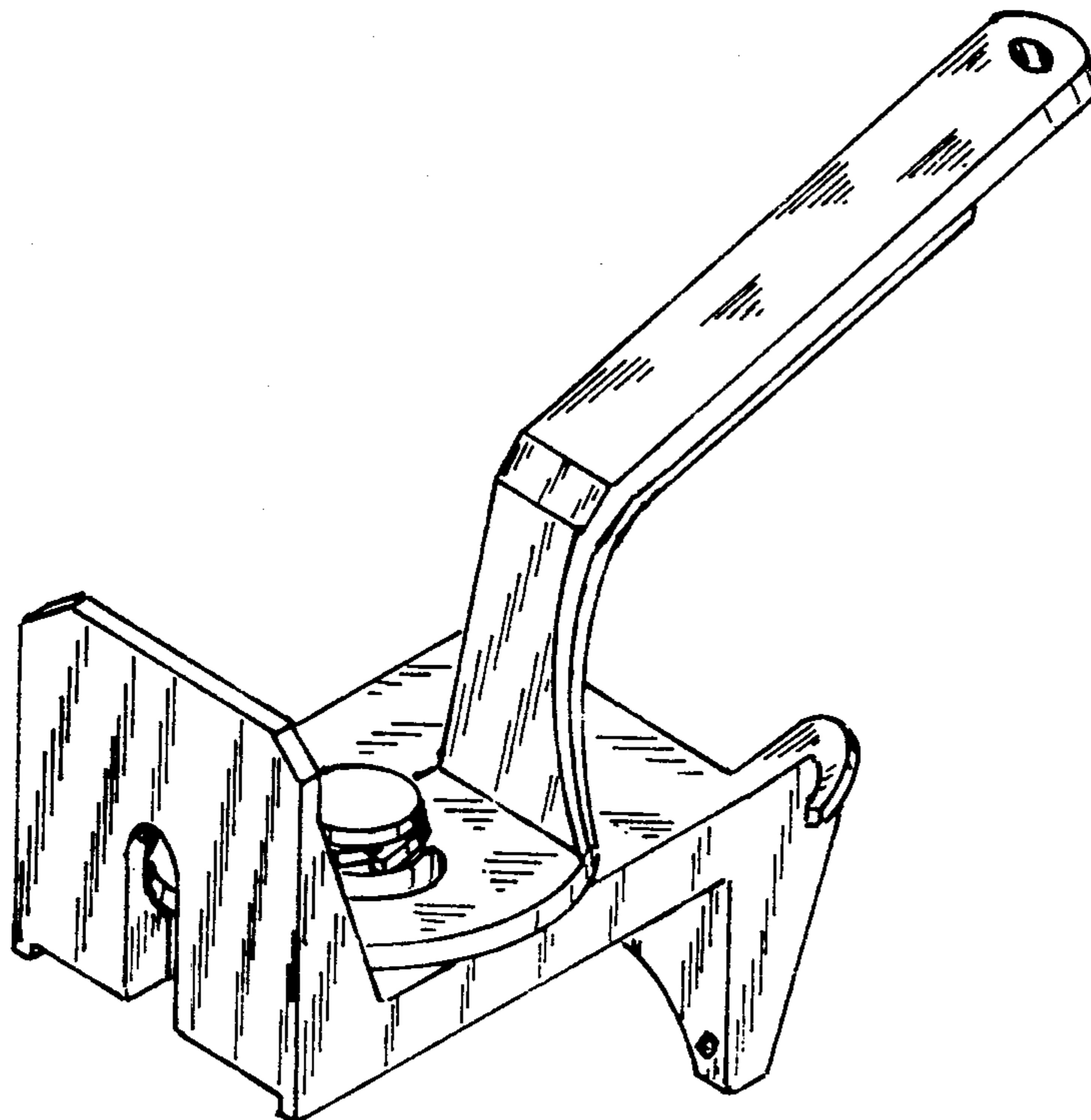
DESCRIPTION

FIG. 1 is a perspective view of a combined water bracket and cam-type latch showing my new design;
 FIG. 2 is a front elevational view thereof;
 FIG. 3 is a top plan view thereof;
 FIG. 4 is a rear elevational view thereof;
 FIG. 5 is a bottom plan view thereof;
 FIG. 6 is a side view showing the combined water bracket and cam-type latch from the opposite side of FIG. 1.

[56] **References Cited**

U.S. PATENT DOCUMENTS

D. 242,521	11/1976	Plympton	D8/339
489,386	1/1893	Morris	292/101
792,036	6/1905	Hiser	292/111
3,018,538	1/1962	Gates	249/219 W
3,141,224	7/1964	Gates	249/219 R
3,343,771	9/1967	Gates	249/219 W



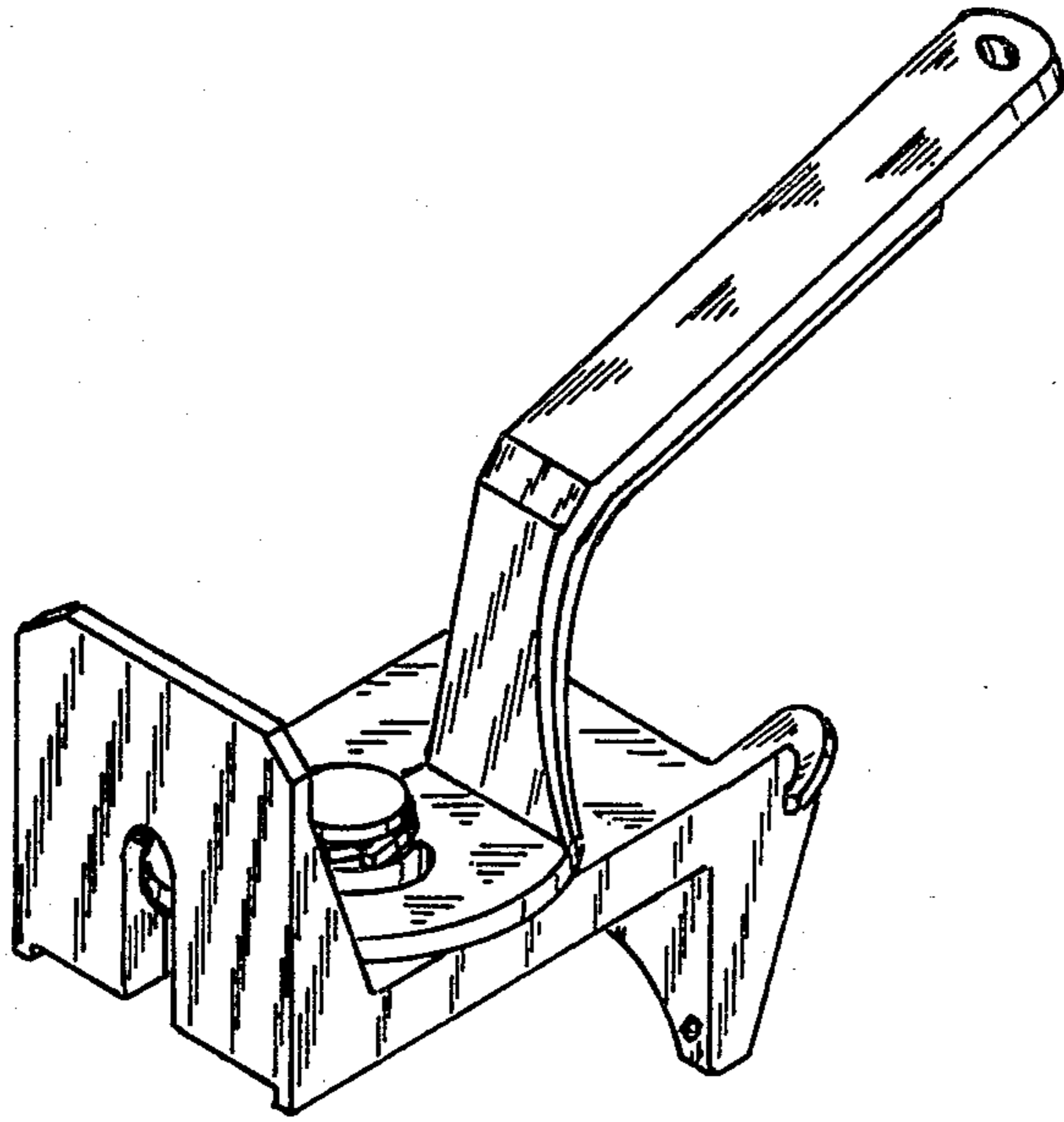


FIG-1

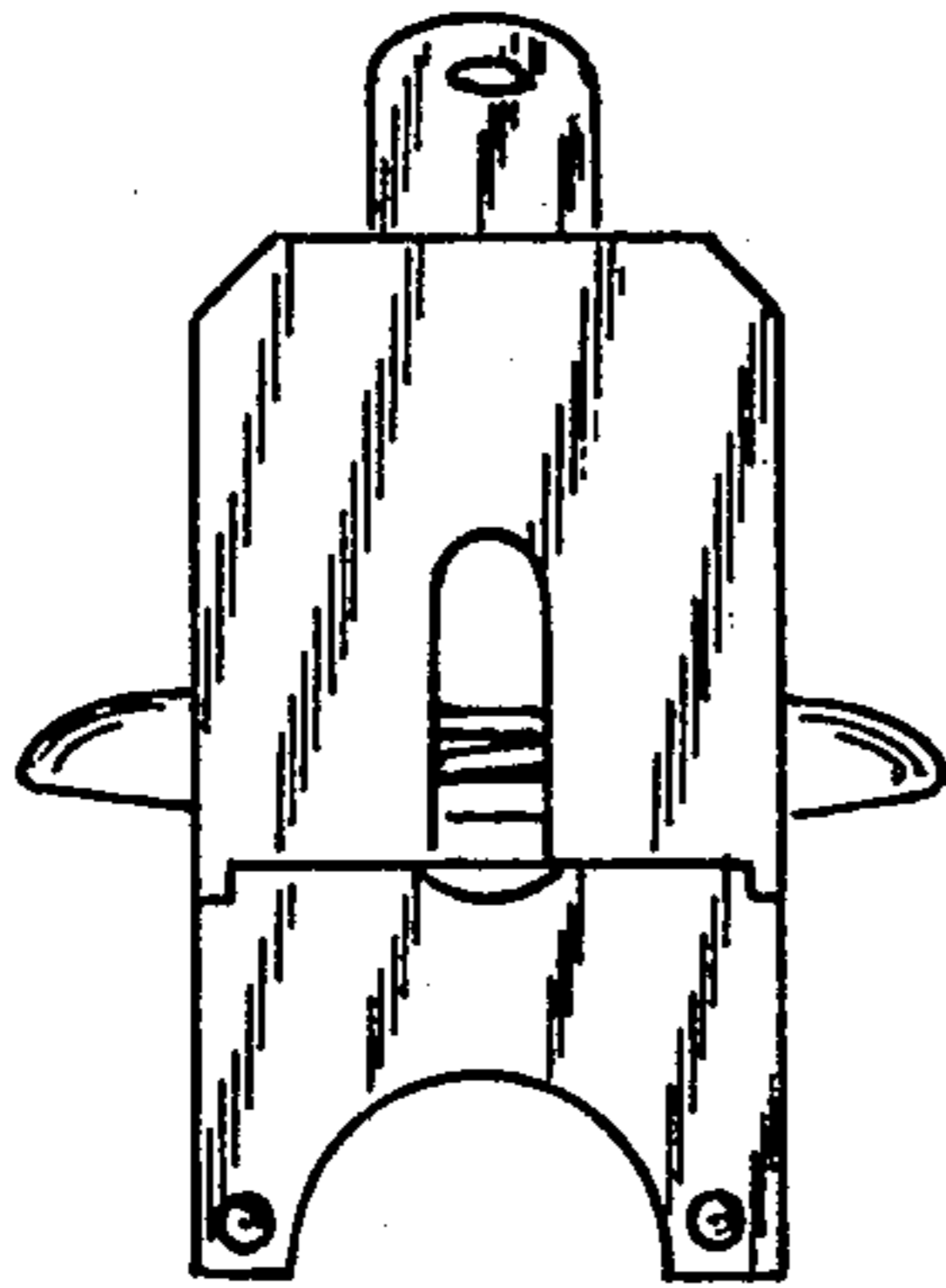


FIG-2

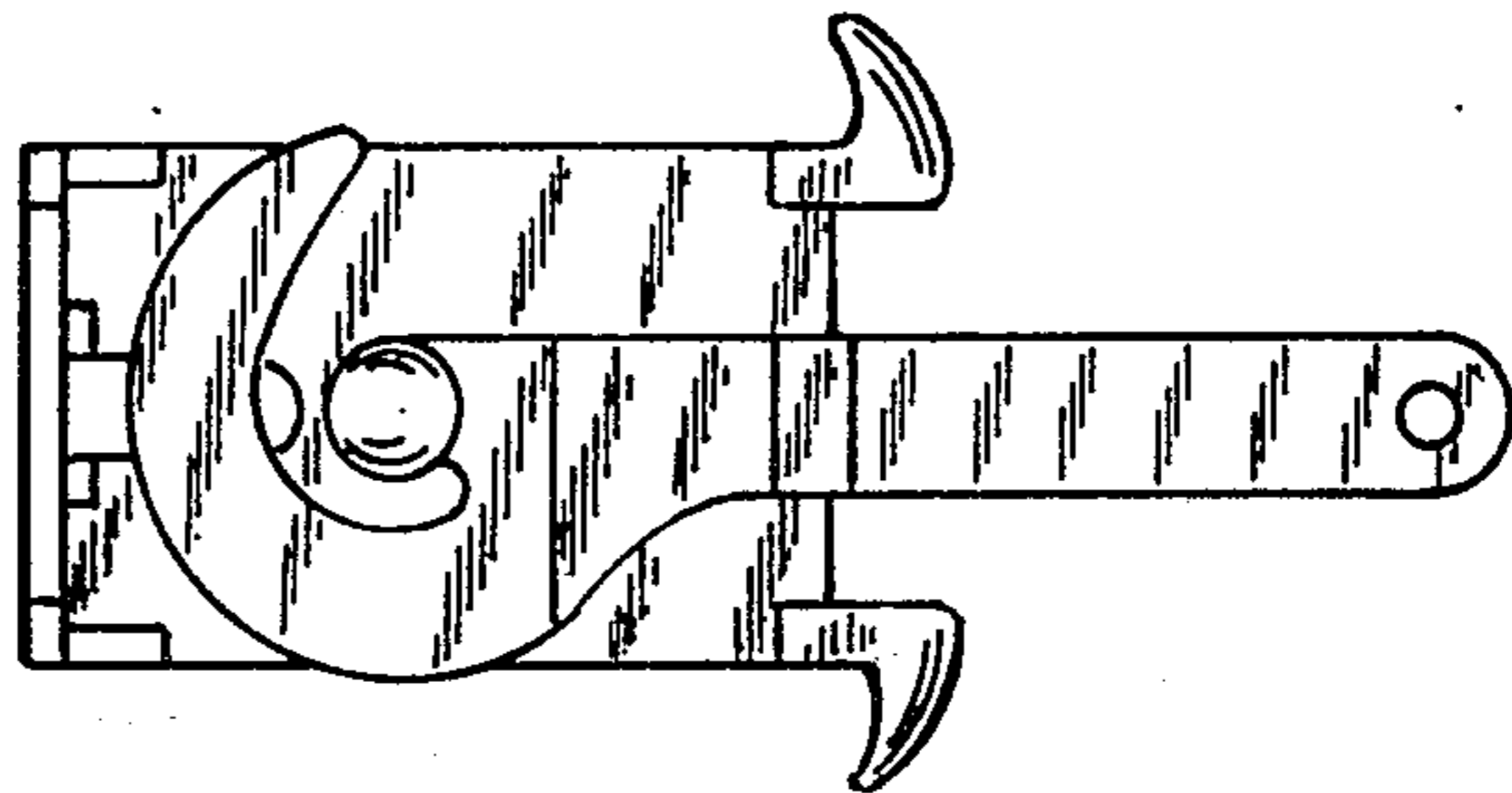


FIG-3

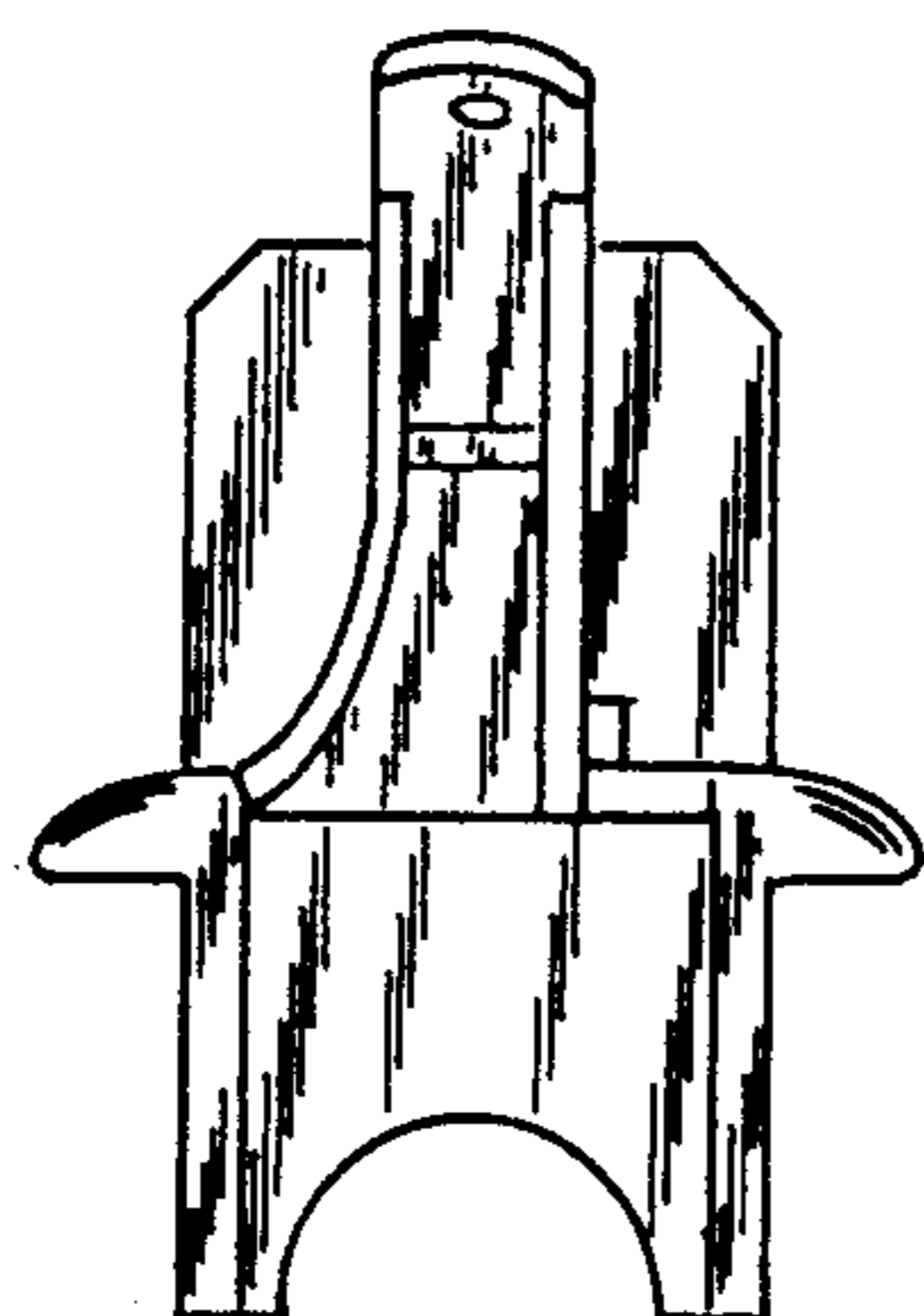


FIG-4

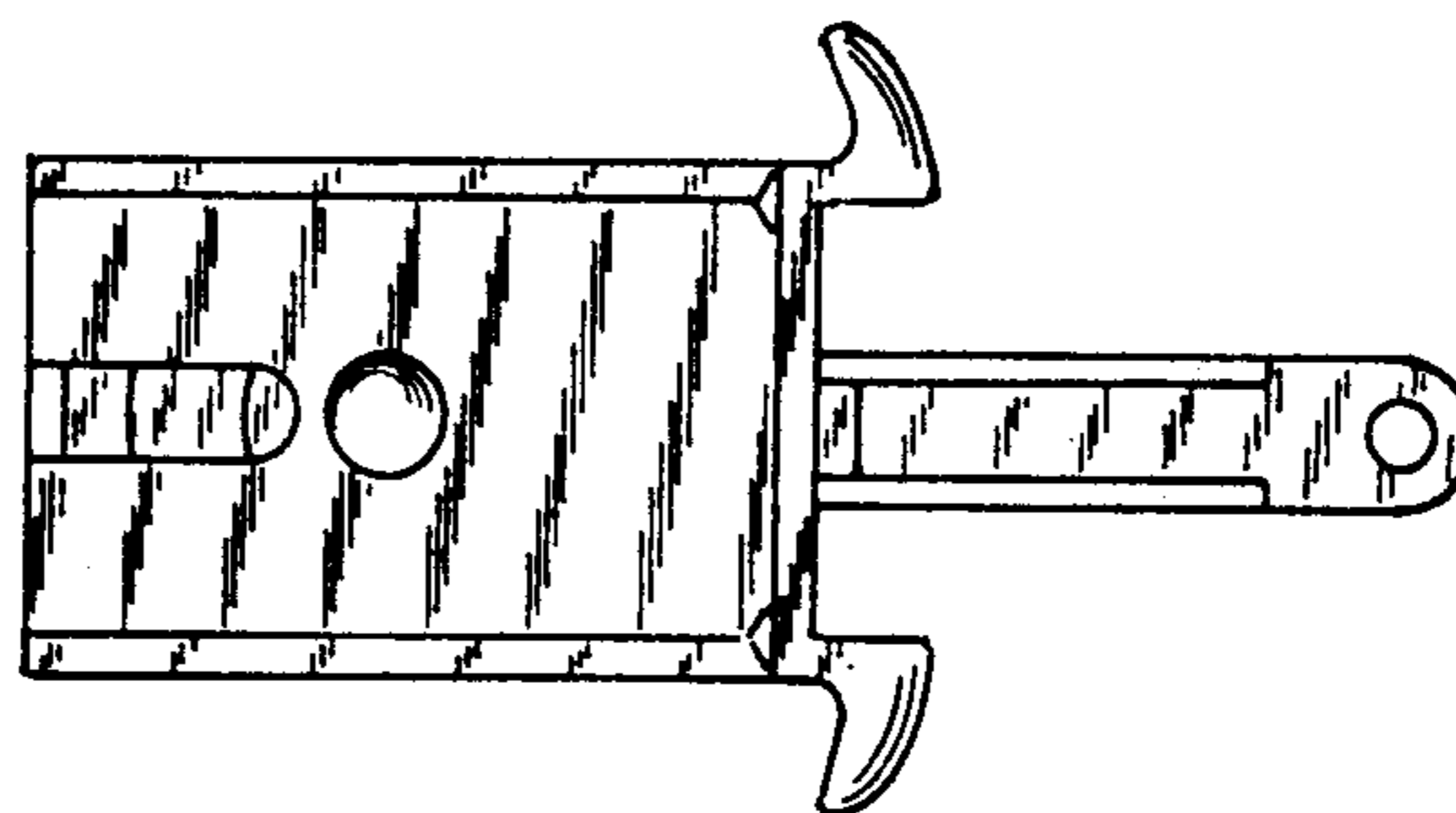


FIG-5

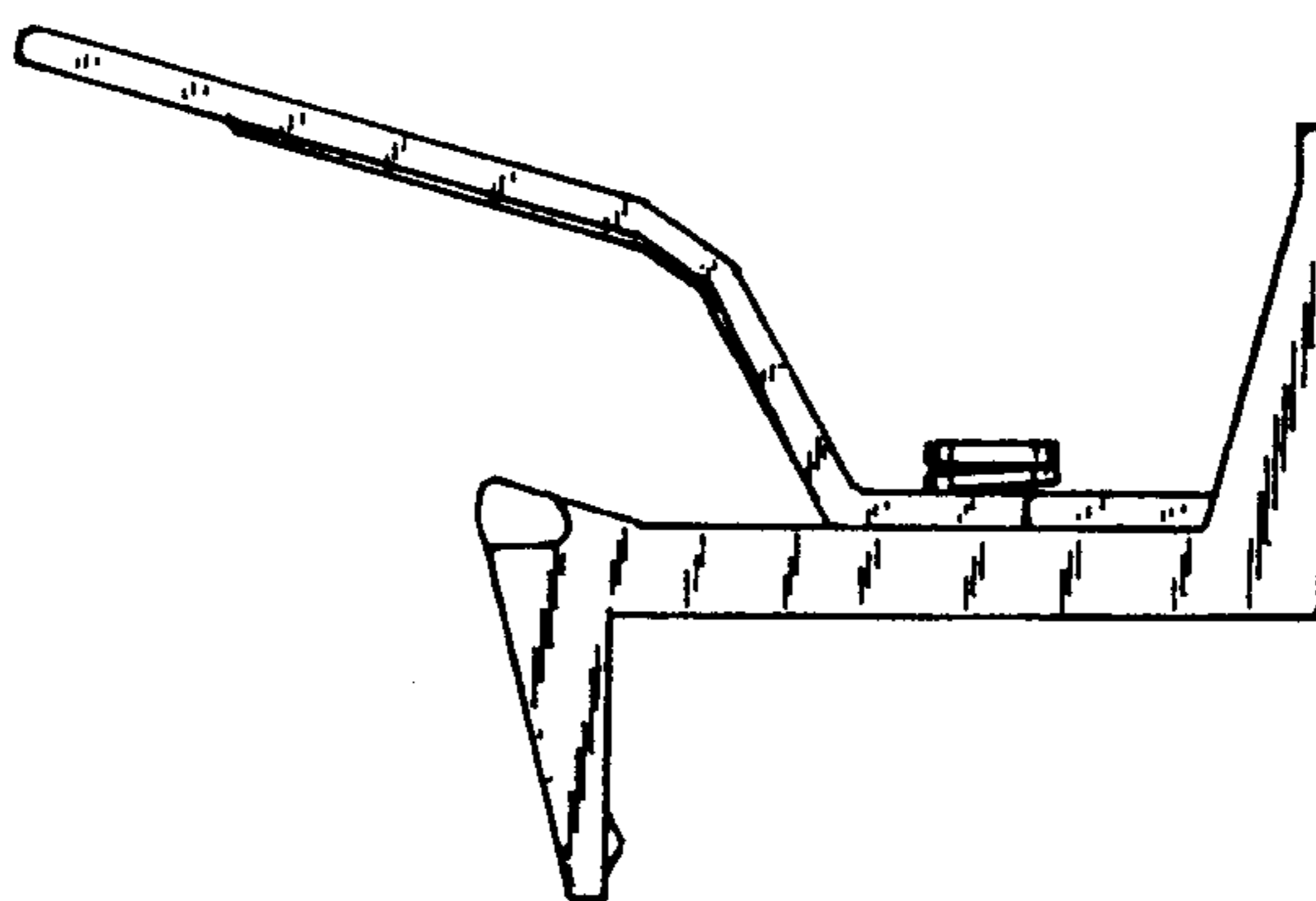


FIG-6

UNITED STATES PATENT AND TRADEMARK OFFICE
CERTIFICATE OF CORRECTION

PATENT NO. : Des. 273,932
DATED : May 22, 1984
INVENTOR(S) : H. Gordon Gates

It is certified that error appears in the above-identified patent and that said Letters Patent is hereby corrected as shown below:

Column 1, line 1, delete "WATER" and insert
--WALER--.

Column 2, lines 12, 15 and 21, respectively,
delete "water" and insert --waler--.

Signed and Sealed this

Twenty-fifth **Day of** *December 1984*

[SEAL]

Attest:

Attesting Officer

GERALD J. MOSSINGHOFF

Commissioner of Patents and Trademarks