

[54] COMBINED TACO HOLDER AND SERVER

[75] Inventor: Ernest P. Rolli, Jr., c/o Del-Rey Manufacturing, Inc., 9282 Arlington Rd., Brookville, Ohio 45309

[73] Assignees: Ernest P. Rolli, Jr.; Robert Hood, both of Brookville, Ohio ; a part interest

[**] Term: 14 Years

[21] Appl. No.: 334,960

[22] Filed: Dec. 28, 1981

[52] U.S. Cl. D7/76; D6/184; D7/70; D7/72

[58] Field of Search D7/37, 72, 76; D6/85, D6/140, 181, 184; D9/341, 424, 3

[56] References Cited

U.S. PATENT DOCUMENTS

D. 238,543 1/1976 Lechner D7/72

D. 241,197 8/1976 Covell et al. D6/85
D. 256,975 9/1980 Cummings D6/181 X
D. 263,191 3/1982 Moore D7/37
D. 267,918 2/1983 Lasher D6/184

OTHER PUBLICATIONS

Men's Reporter, Apr. 1946, p. 75, Saddle Stitched Coaster Set, square holder with 4 post, top right. "Embassy".

Primary Examiner—Winifred E. Herrmann
Attorney, Agent, or Firm—Biebel, French & Nauman

[57] CLAIM

The ornamental design for a combined taco holder and server, as shown.

DESCRIPTION

FIG. 1 is a three-quarter perspective view of a combined taco holder and server showing my new design; FIG. 2 is a side elevational view thereof; FIG. 3 is a top plan view thereof; and FIG. 4 is a bottom plan view thereof.

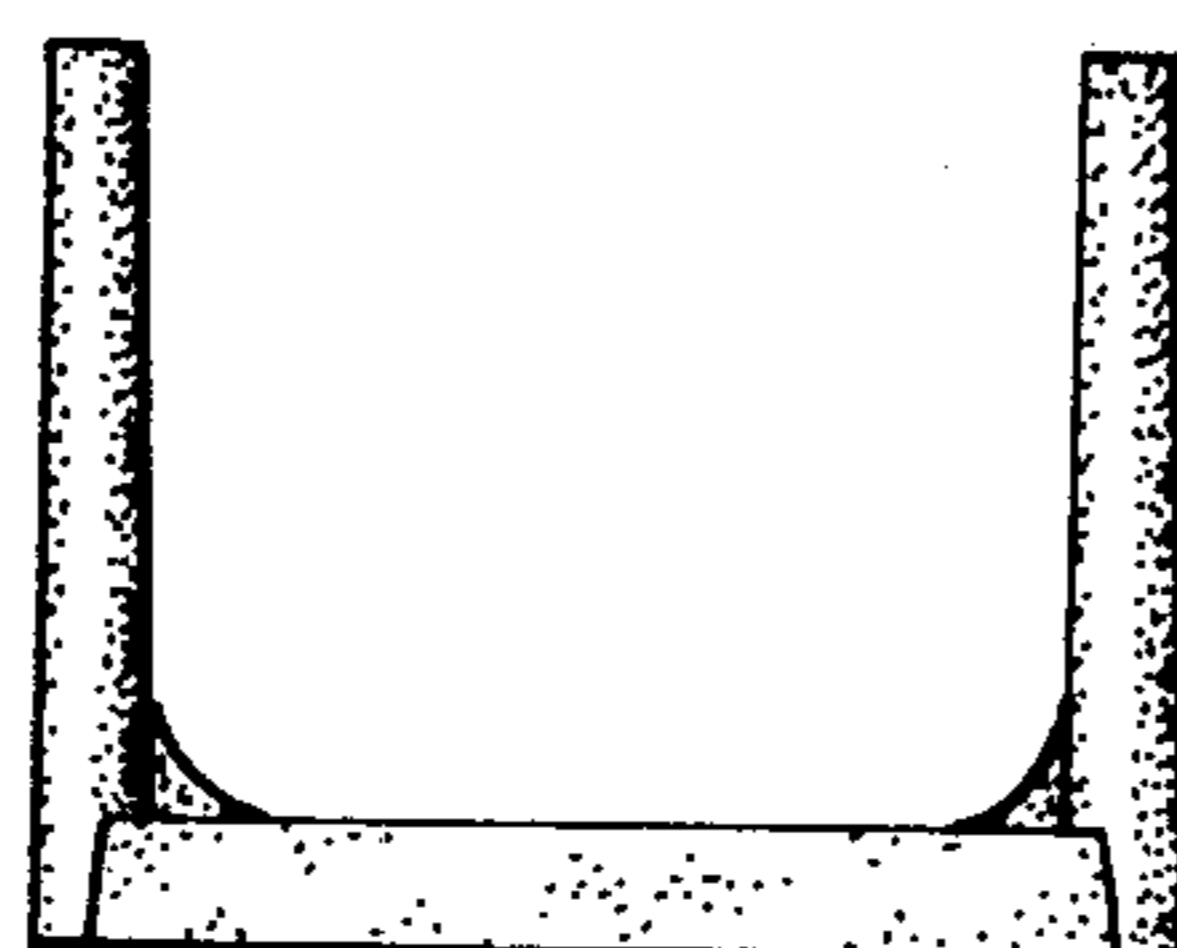
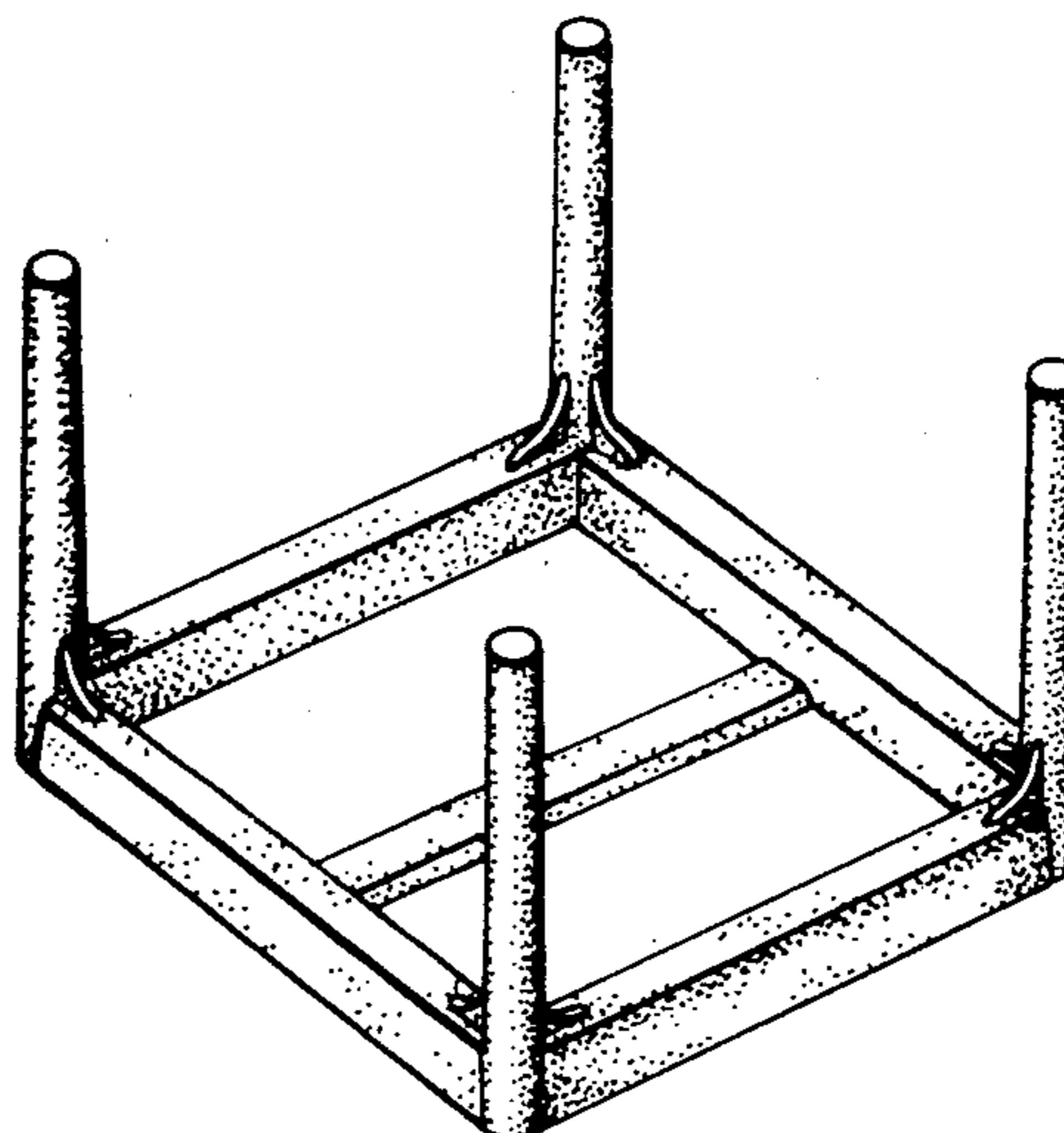


FIG-1

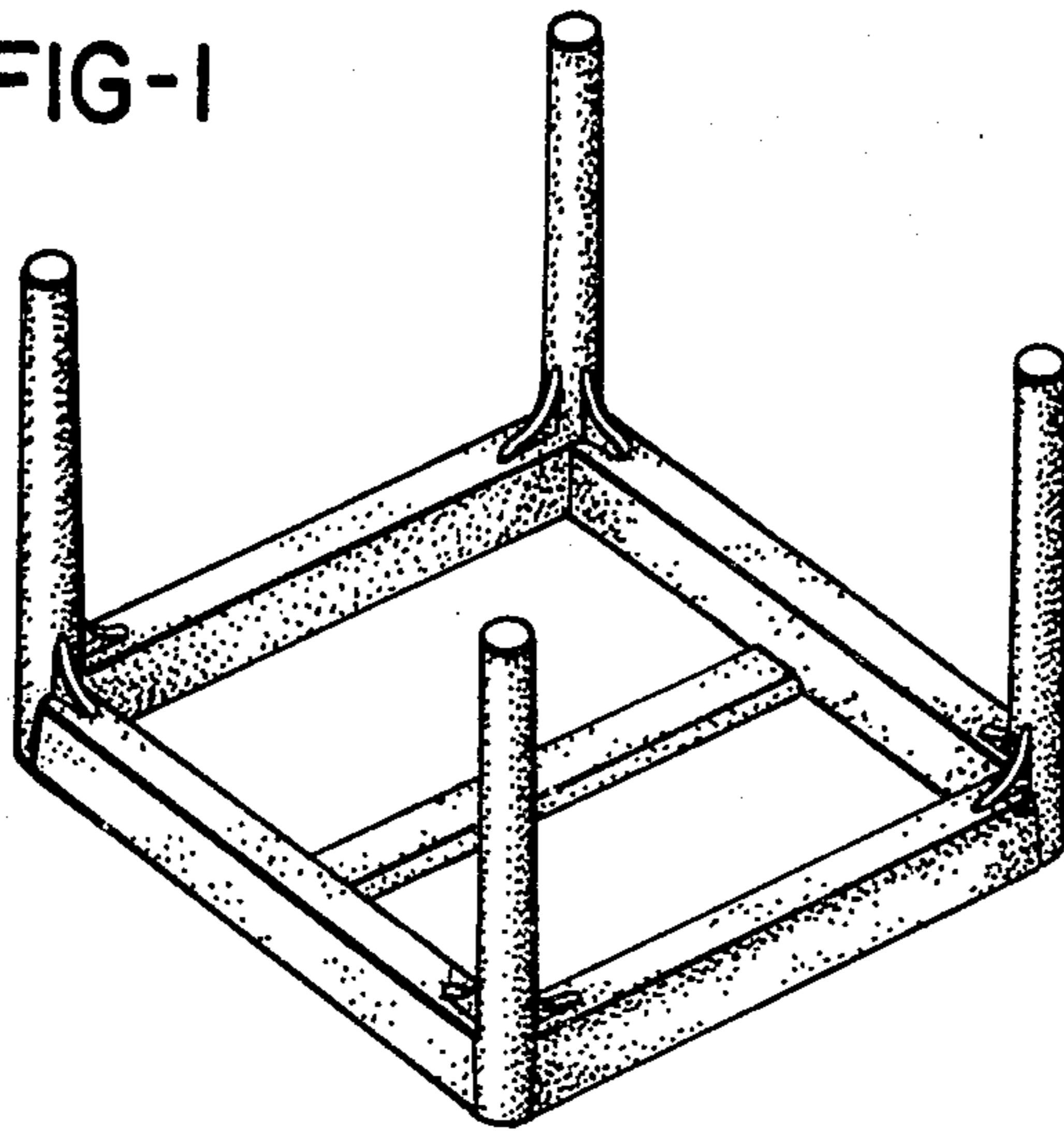


FIG-2

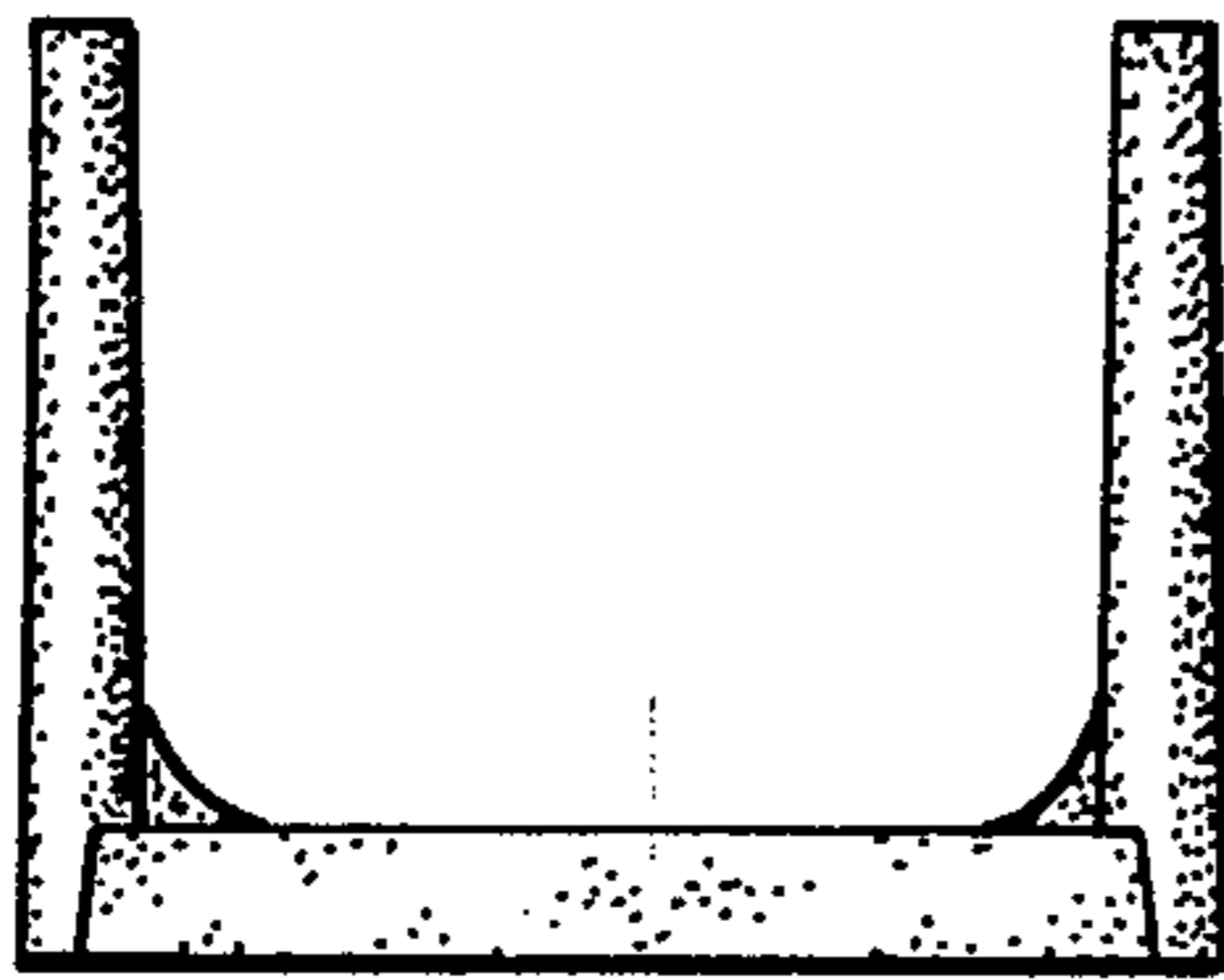


FIG-3

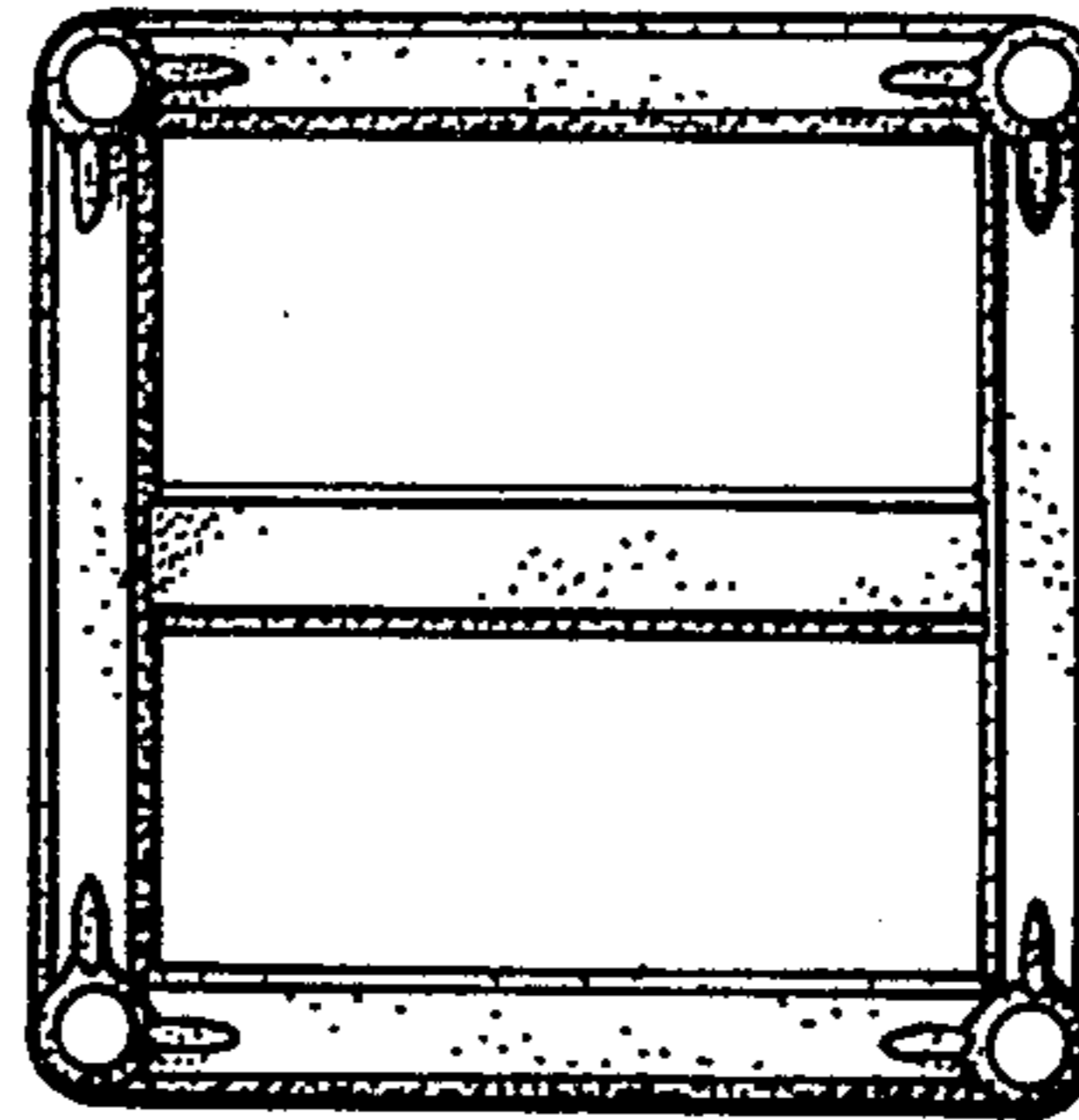


FIG-4

