

[54] COMBINED STADIUM SEAT AND TRAY

3,498,470 3/1970 Thomas D7/38

[76] Inventors: James E. Byrns, 86 Sixteenth Ave. N. Clinton, Iowa 42732; Samuel W. Williams, 807 W. Summit, Maquoketa, Iowa 52060

FOREIGN PATENT DOCUMENTS

1076118 10/1954 France 5/462

[**] Term: 14 Years

Primary Examiner—Jane E. Corrigan
Attorney, Agent, or Firm—Thomas J. Greer, Jr.

[21] Appl. No.: 311,151

[57] CLAIM

The original design for a combined stadium seat and tray, as shown and described.

[22] Filed: Oct. 13, 1981

[52] U.S. Cl. D6/201; D7/38

DESCRIPTION

[58] Field of Search D6/201; D7/37, 38, 71; 5/448, 436, 462, 466

FIG. 1 is a top plan view of a combined stadium seat and tray showing our new design; FIG. 2 is a front elevational view; FIG. 3 is a left side elevational view, the right side being a mirror image thereof; FIG. 4 is a bottom plan view; FIG. 5 is a rear elevational view; and FIG. 6 is a sectional view taken along section line 6—6 of FIG. 1.

[56] References Cited

U.S. PATENT DOCUMENTS

D. 220,774	5/1971	Goings	D7/38
D. 226,795	5/1973	Johnson	D6/201
3,003,815	10/1961	Zinn	5/436 X
3,400,413	9/1968	La Grossa	D6/201

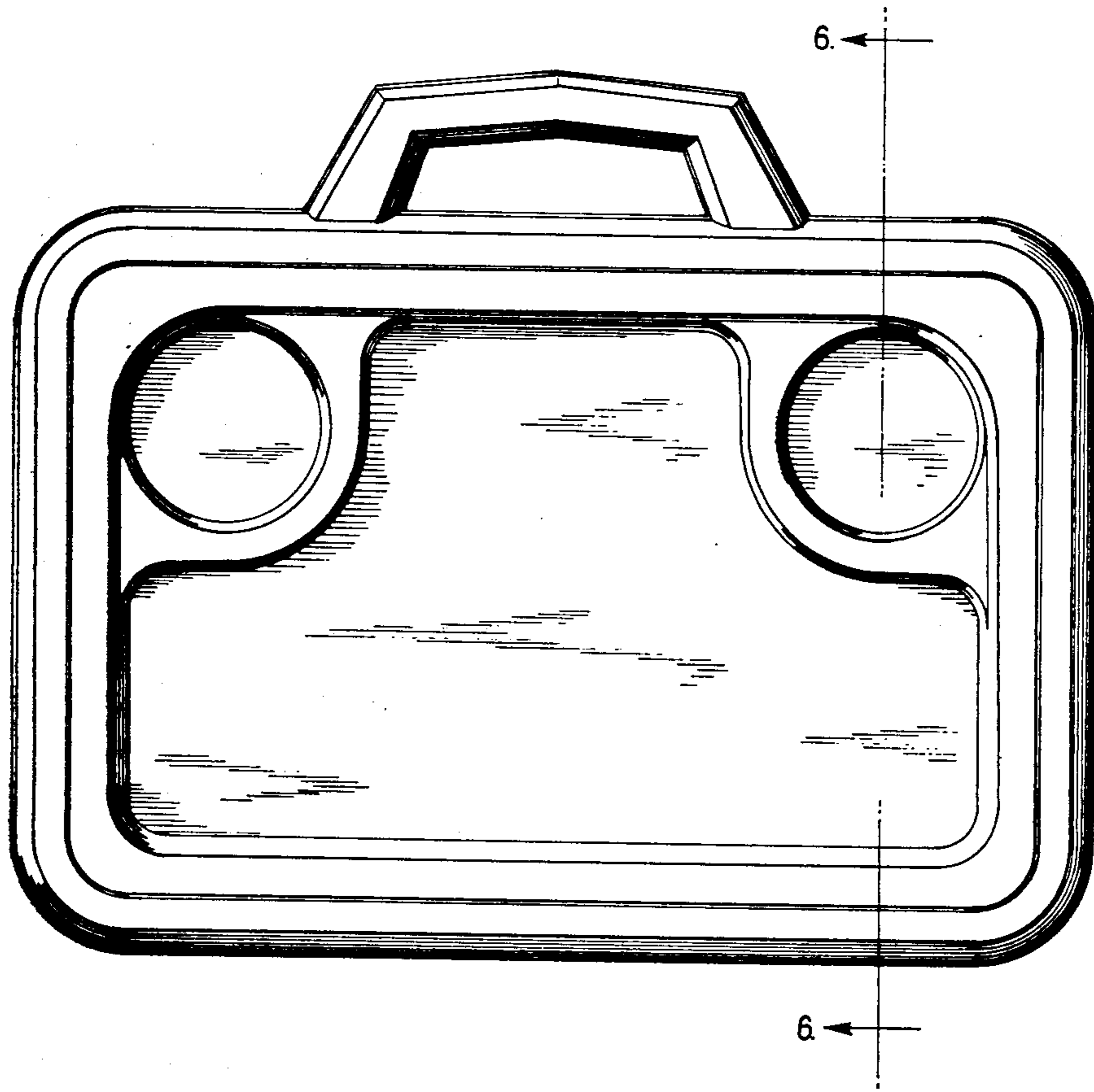


FIG. 1

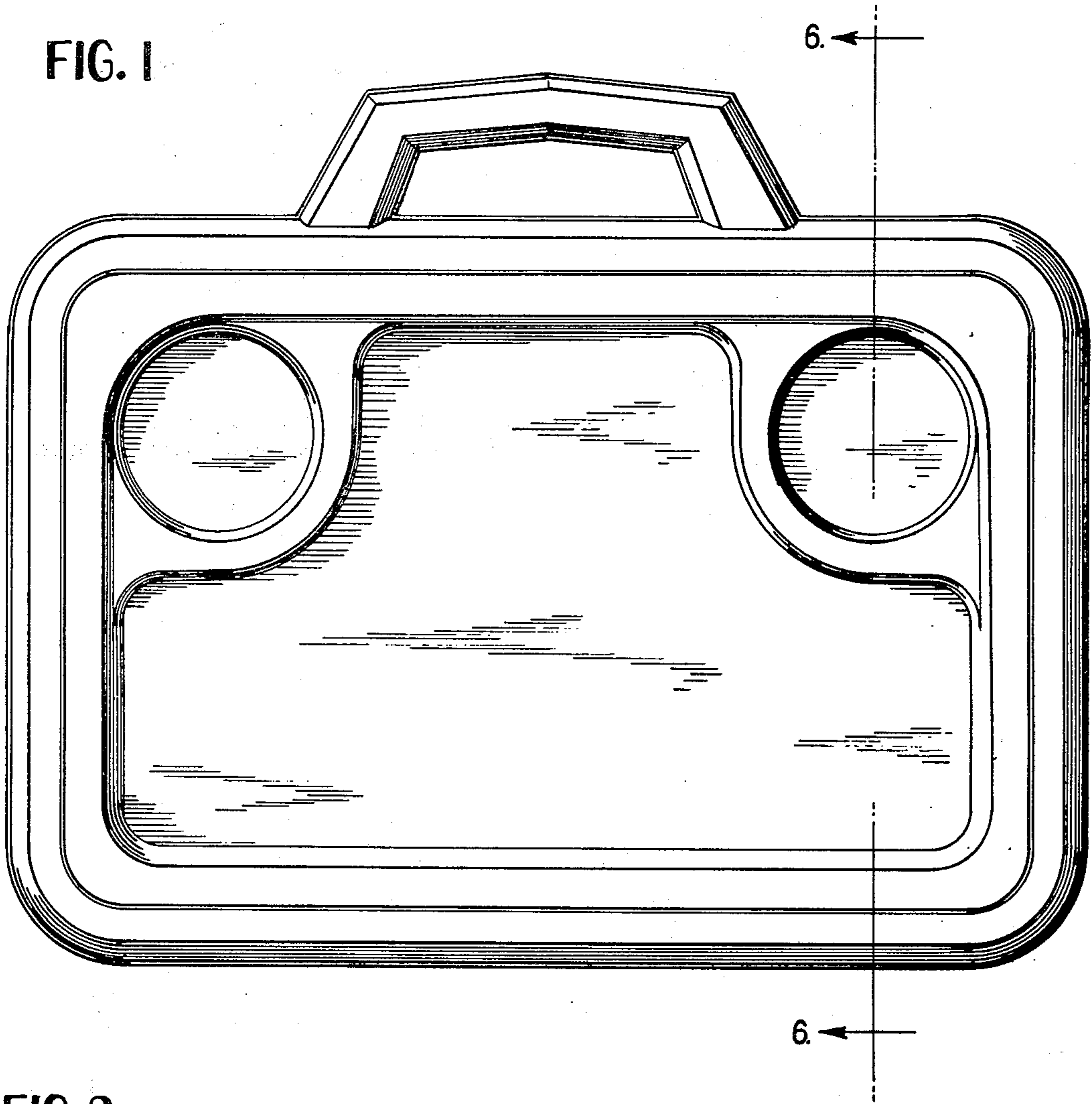


FIG. 2

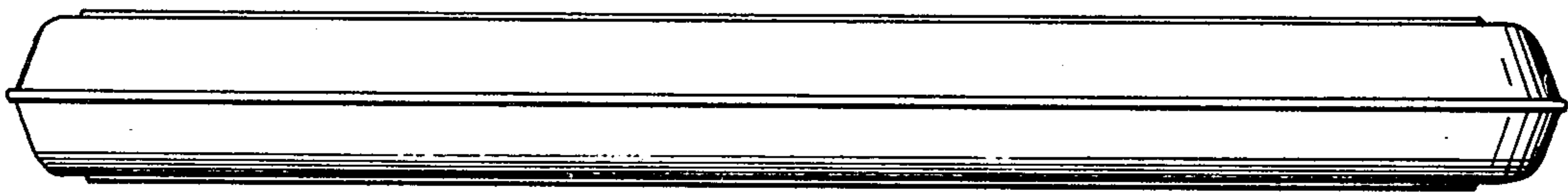


FIG. 3

