

[54] CREDENZA

[75] Inventor: Jan H. Matthias, Beverly Hills, Calif.

[73] Assignee: Casa Bella Imports, Inc., Miami, Fla.

[**] Term: 14 Years

[21] Appl. No.: 340,885

[22] Filed: Jan. 19, 1982

[52] U.S. Cl. D6/166; D6/161

[58] Field of Search D6/158-170

[56] References Cited

U.S. PATENT DOCUMENTS

- D. 142,613 10/1945 Brainard et al. D6/161
- D. 193,516 9/1962 Deaton D/168

- D. 199,625 11/1964 Platner D6/168 X
- D. 228,803 10/1973 Hunt D6/167 X
- D. 251,646 4/1979 Walsh D6/161
- 3,890,023 6/1975 Mohr et al. D6/164 X

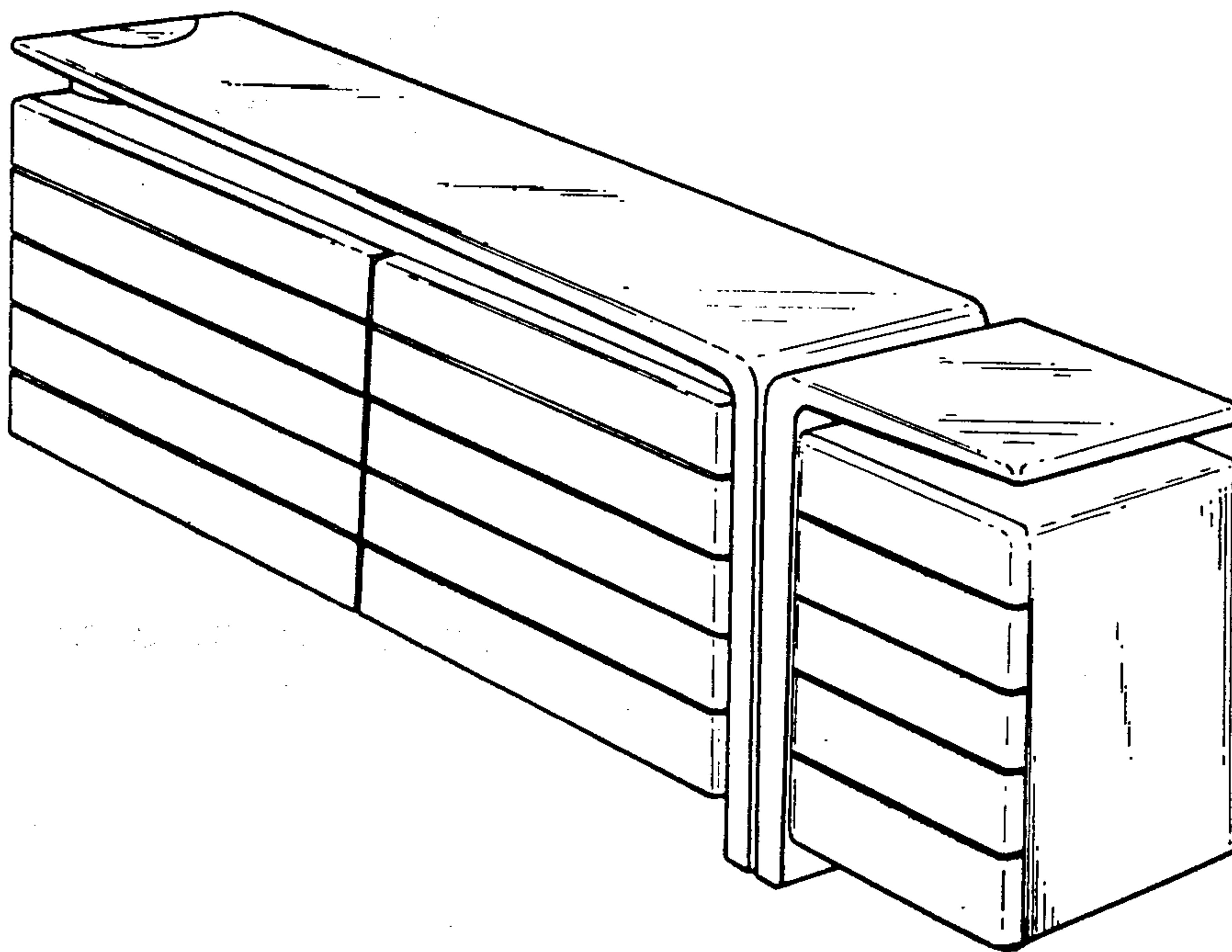
Primary Examiner—Bruce W. Dunkins
Attorney, Agent, or Firm—Eric T. S. Chung

[57] CLAIM

The ornamental design for a credenza, as shown.

DESCRIPTION

FIG. 1 is a front top perspective view of a credenza showing my new design; FIG. 2 is a left side plan view thereof; FIG. 3 is a back plan view thereof; and FIG. 4 is a bottom plan view thereof.



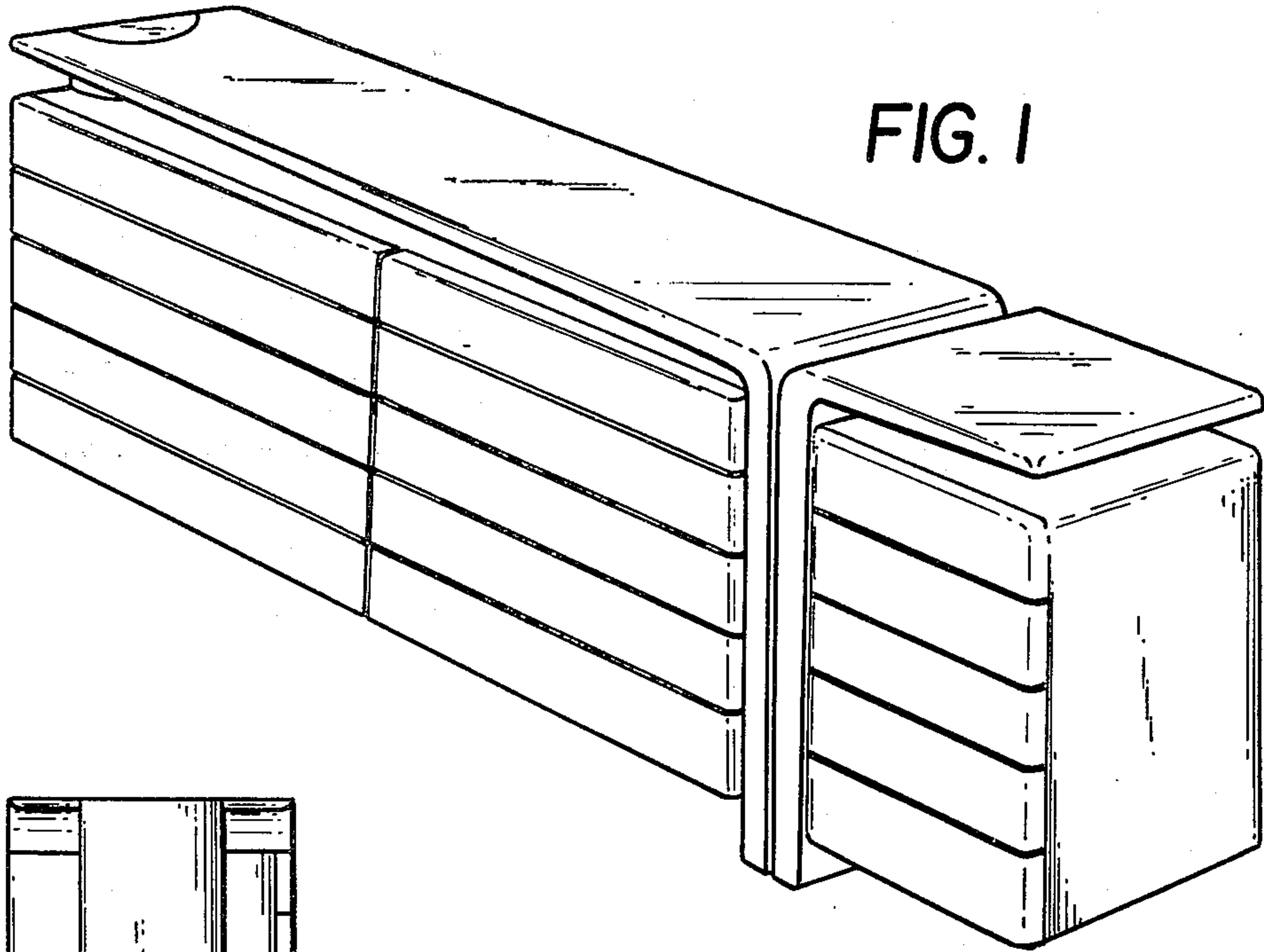


FIG. 1

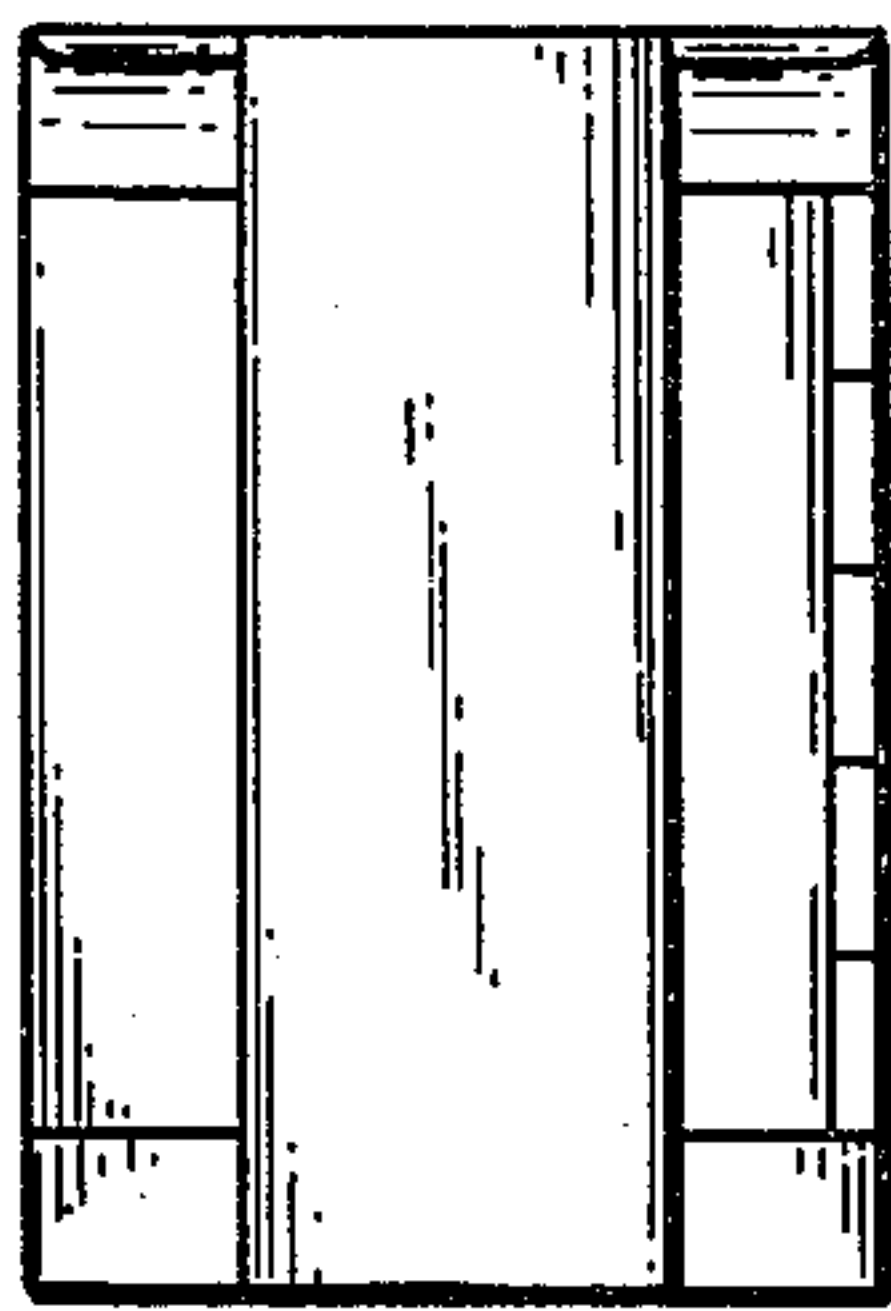


FIG. 2

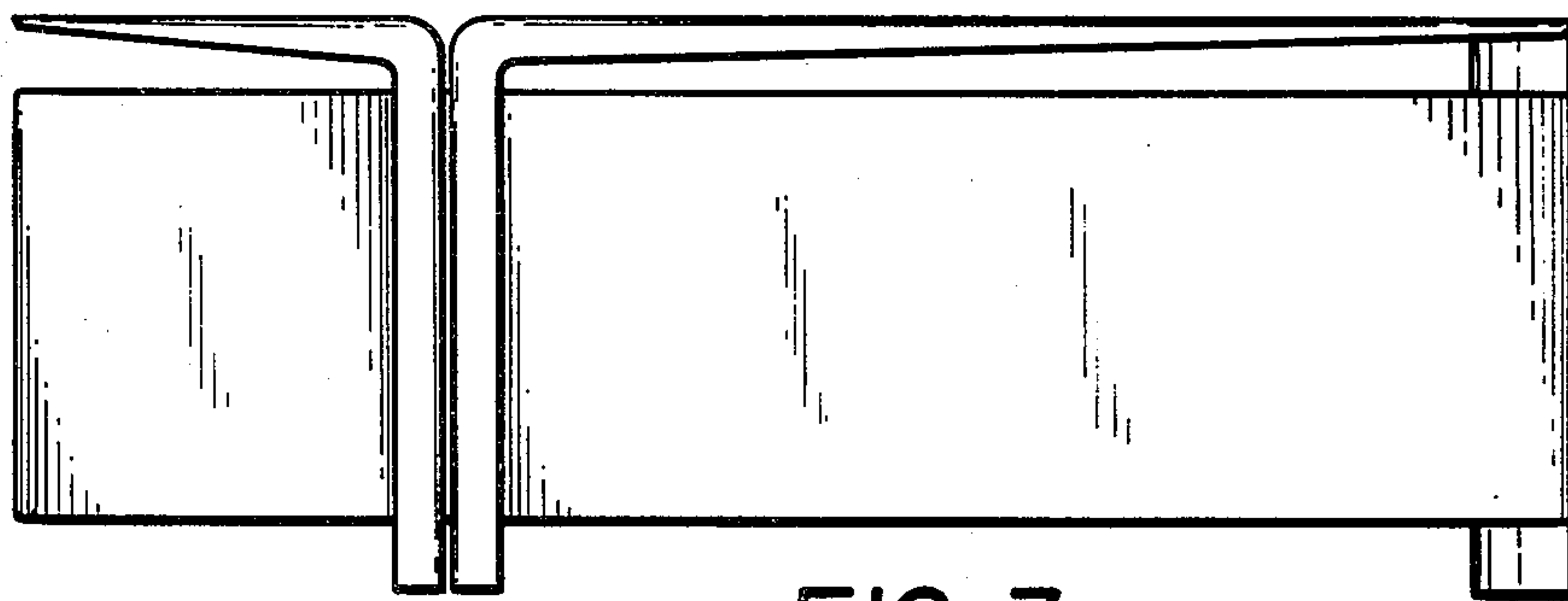


FIG. 3

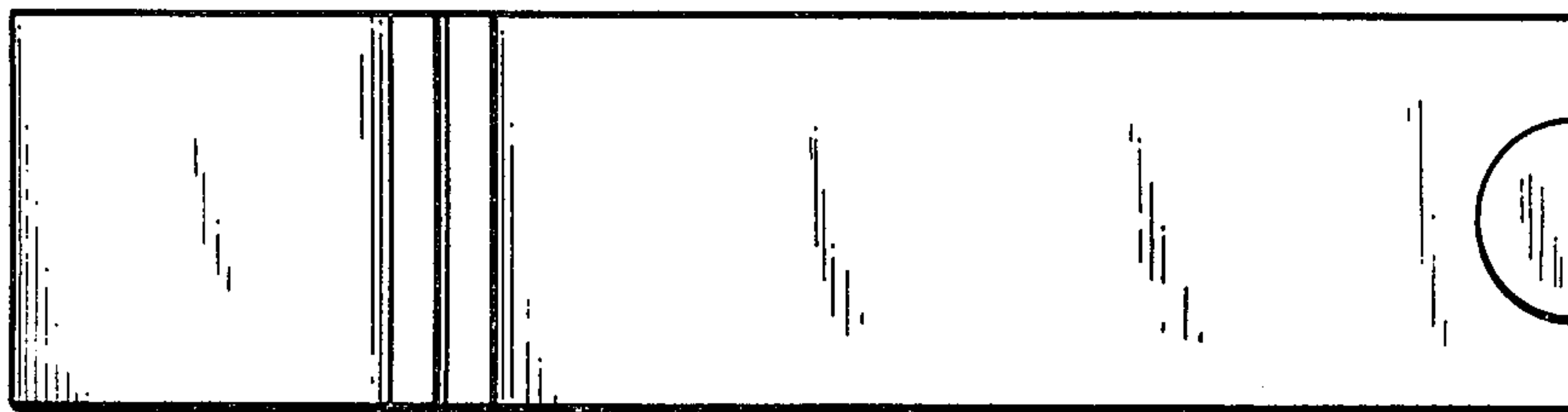


FIG. 4