

[54] **STEP STOOL, OR SIMILAR ARTICLE**

[76] **Inventor: Ralph R. Pasinski, 777 S. Matilda,
Apt. 135, Sunnyvale, Calif. 94087**

[**] **Term: 14 Years**

[21] **Appl. No.: 344,993**

[22] **Filed: Feb. 2, 1982**

[52] **U.S. Cl. D6/32; D25/65**

[58] **Field of Search 182/151, 194, 106;
D25/62, 63, 64, 65; D6/32-36, 58, 74**

[56] **References Cited**

U.S. PATENT DOCUMENTS

D. 181,793 12/1957 Hansen D6/32
D. 213,684 4/1969 Barghout D6/32
D. 213,886 4/1969 Jensen D6/32 X

Primary Examiner—A. Hugo Word

Attorney, Agent, or Firm—Irving M. Weiner; Pamela S. Burt; John L. Shortley

[57] **CLAIM**

The ornamental design for step stool, or similar article, as shown and described.

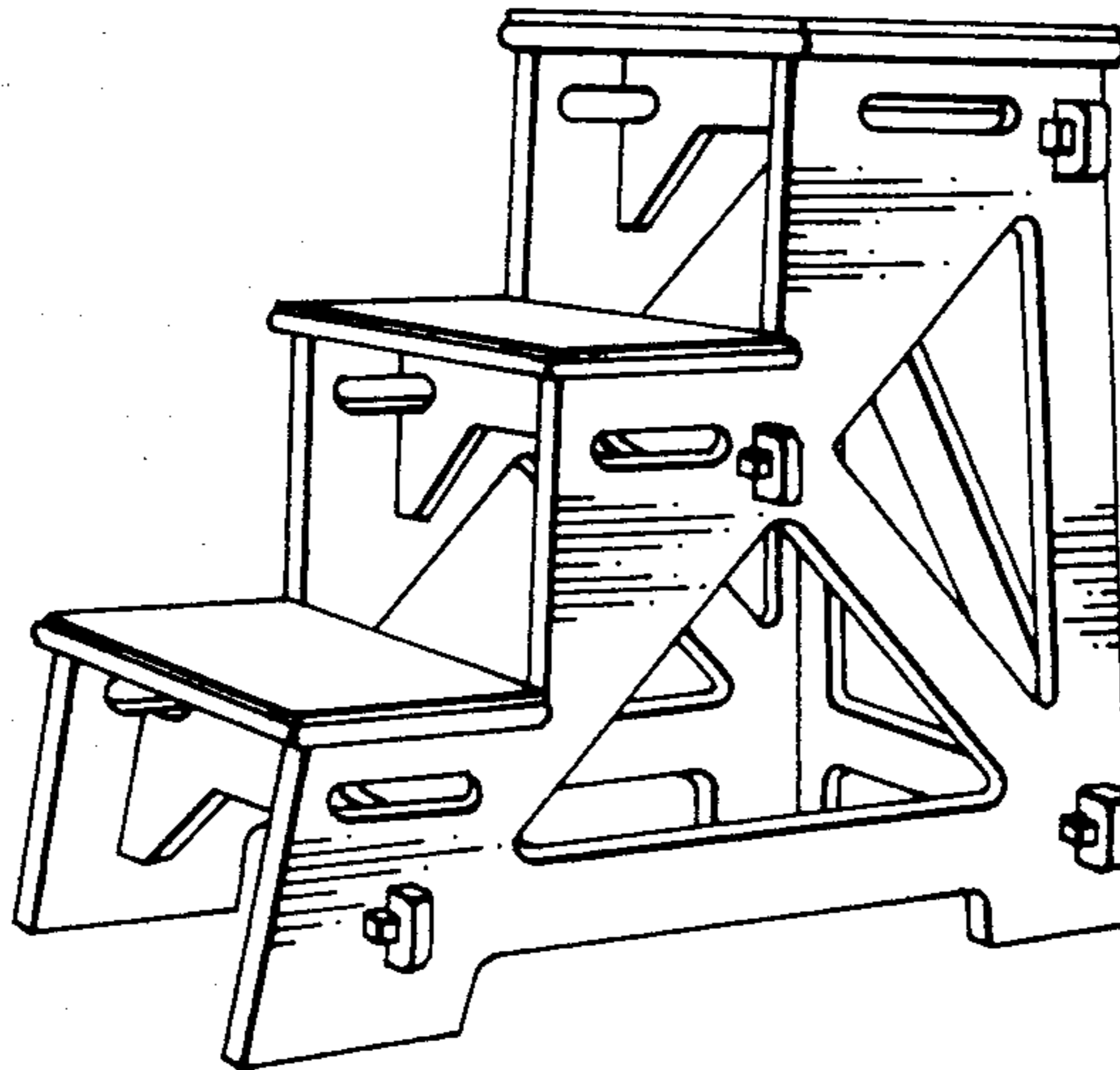
DESCRIPTION

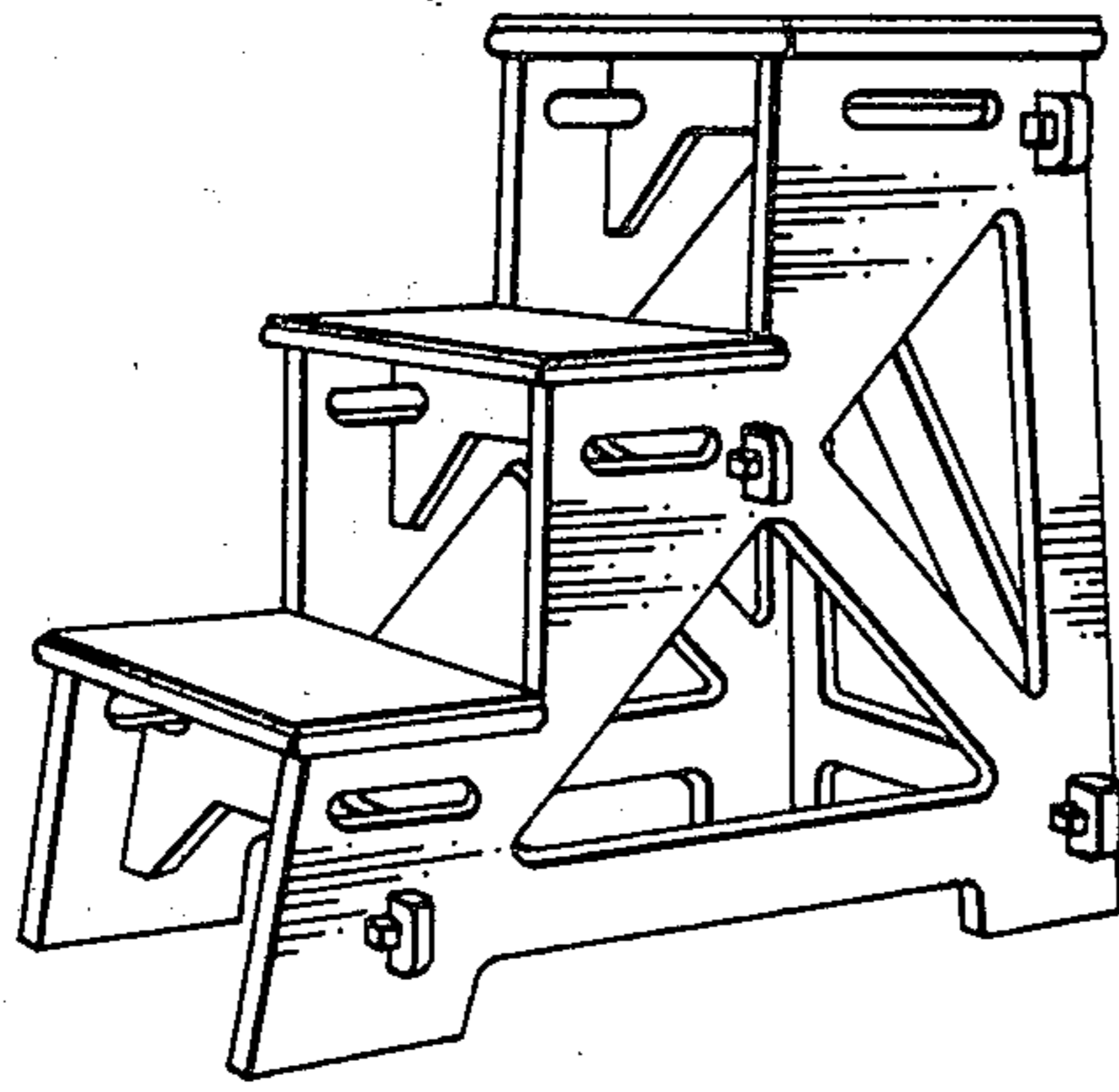
FIG. 1 is a perspective view.

FIG. 2 is a side elevational view.

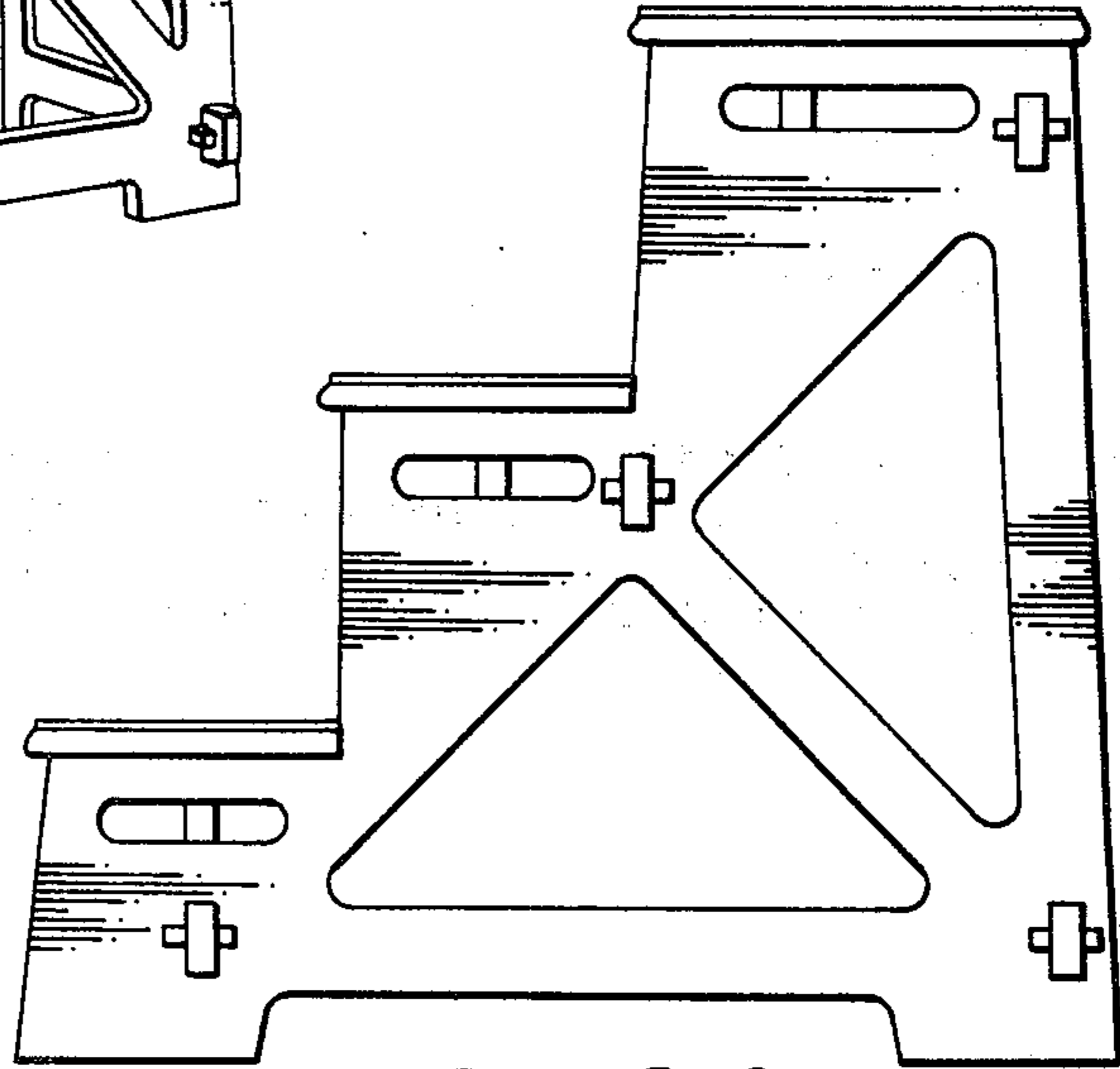
FIG. 3 is a rear elevational view.

FIG. 4 is a front elevational view.

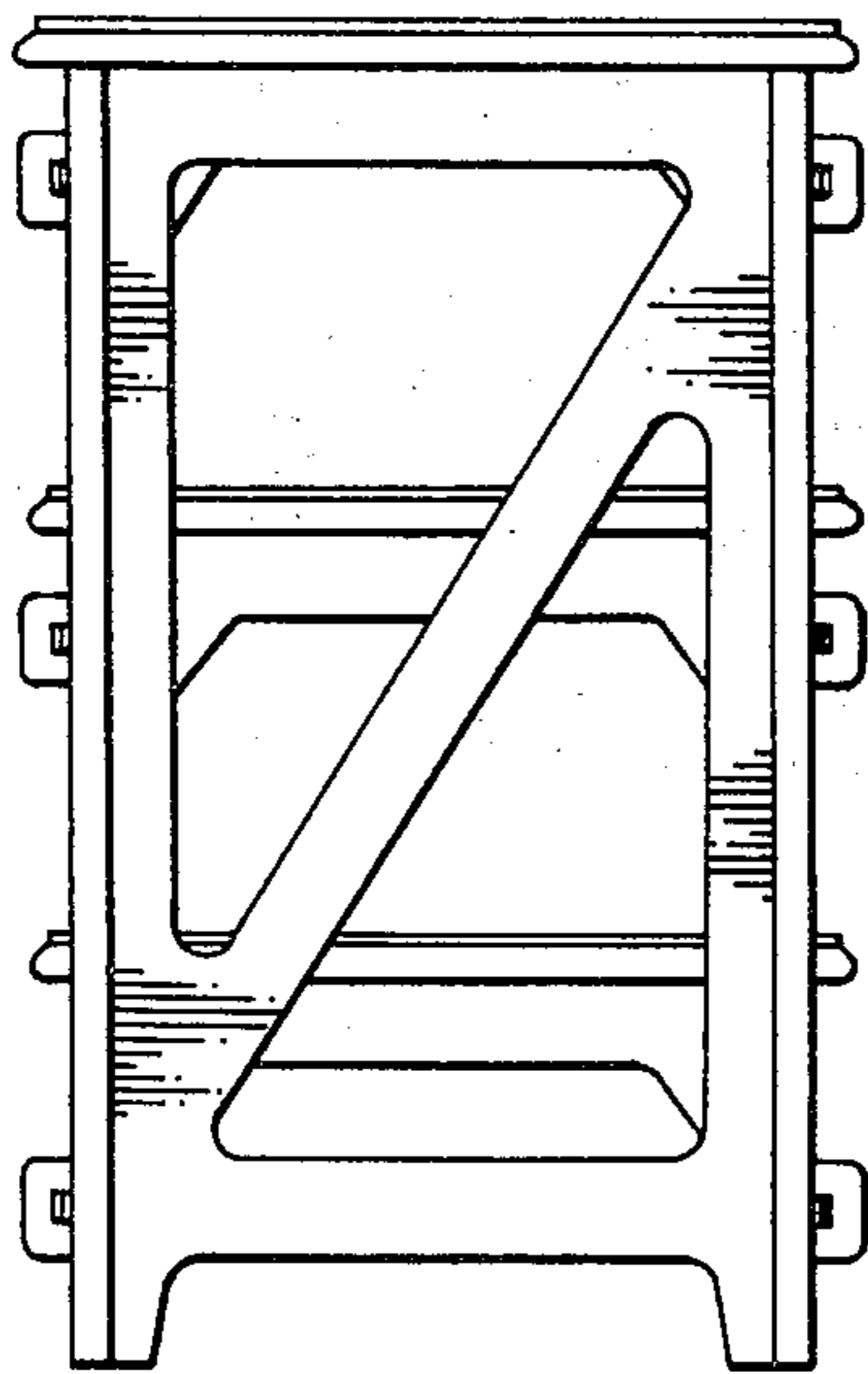




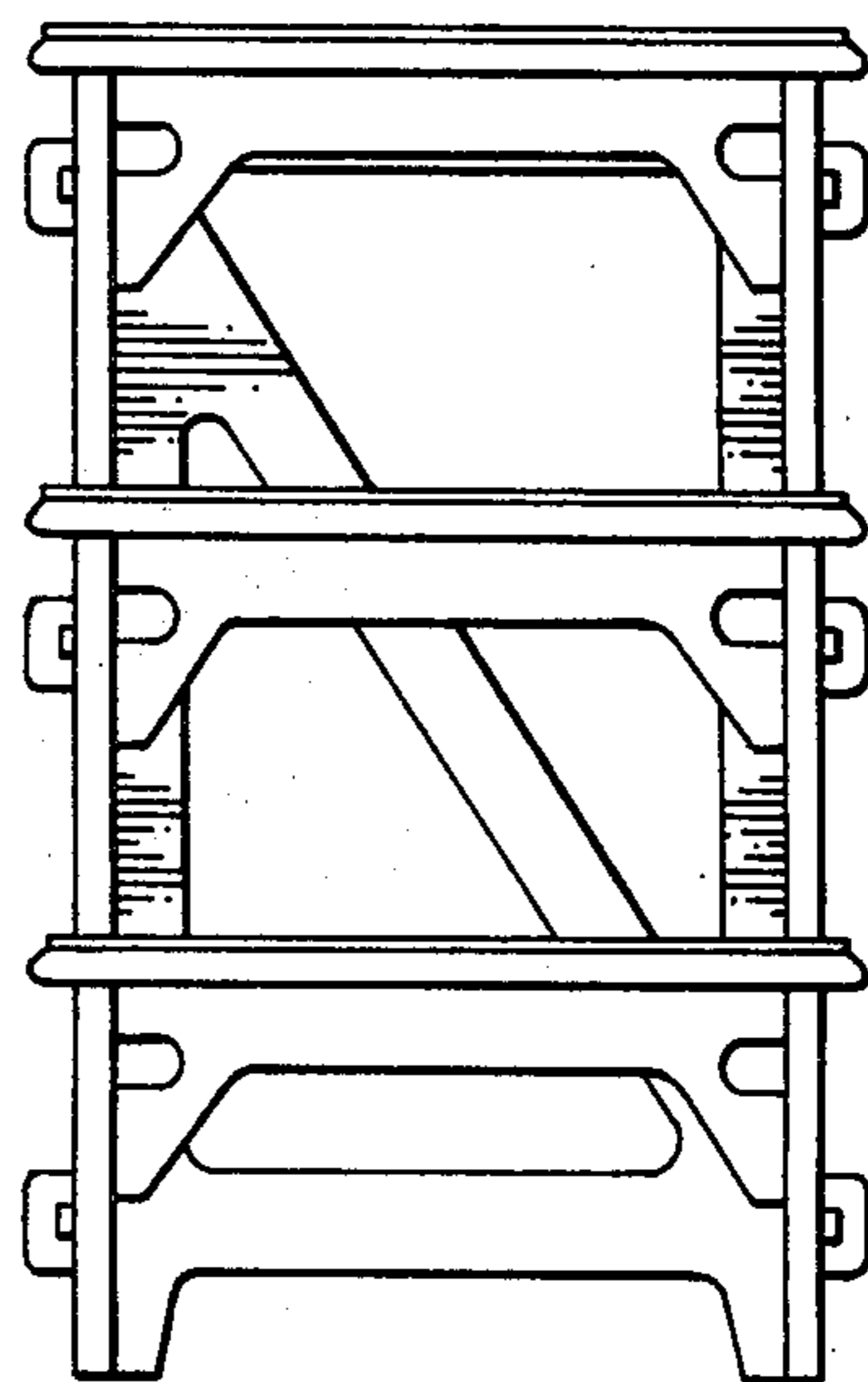
—FIG.1



—FIG.2



—FIG.3



—FIG.4