

[54] DIVIDER FOR A CATTLE STALL

3,986,481 10/1976 Gloggler et al. .... 119/27  
4,171,684 10/1979 Herr et al. .... 119/27  
4,217,860 8/1980 Gloggler ..... 119/27

[76] Inventors: Anthony M. Wilcenski; Jerome A. Wilcenski, both of S47 W25161 Lawnsdale Rd.-Hwy. 1, Waukesha, Wis. 53186

Primary Examiner—James R. Largen  
Attorney, Agent, or Firm—James E. Nilles

[\*\*] Term: 14 Years

[57] CLAIM

[21] Appl. No.: 400,853

The ornamental design for a divider for a cattle stall, substantially as shown and described.

[22] Filed: Jul. 22, 1982

DESCRIPTION

[52] U.S. Cl. .... D30/2; 119/27

FIG. 1 is a perspective view of a divider for a cattle stall showing our new design;

[58] Field of Search ..... D30/1, 2, 99; 119/27

FIG. 2 is another perspective view thereof, on an enlarged scale;

[56] References Cited

U.S. PATENT DOCUMENTS

D. 53,947	10/1919	Stevenson	.....	D30/2
D. 254,753	4/1980	McDonald	.....	D30/2
1,142,246	6/1915	Gagan	.....	119/27
1,996,196	4/1935	Ferris	.....	119/27
2,642,037	6/1953	Merrill	.....	119/27
3,392,709	7/1968	Janson et al.	.....	119/27
3,421,478	1/1969	Warmerdam	.....	119/27
3,726,257	4/1973	Andersen	.....	119/27

FIG. 3 is an elevational view taken from one side thereof, the opposite side being a mirror image of the side shown;

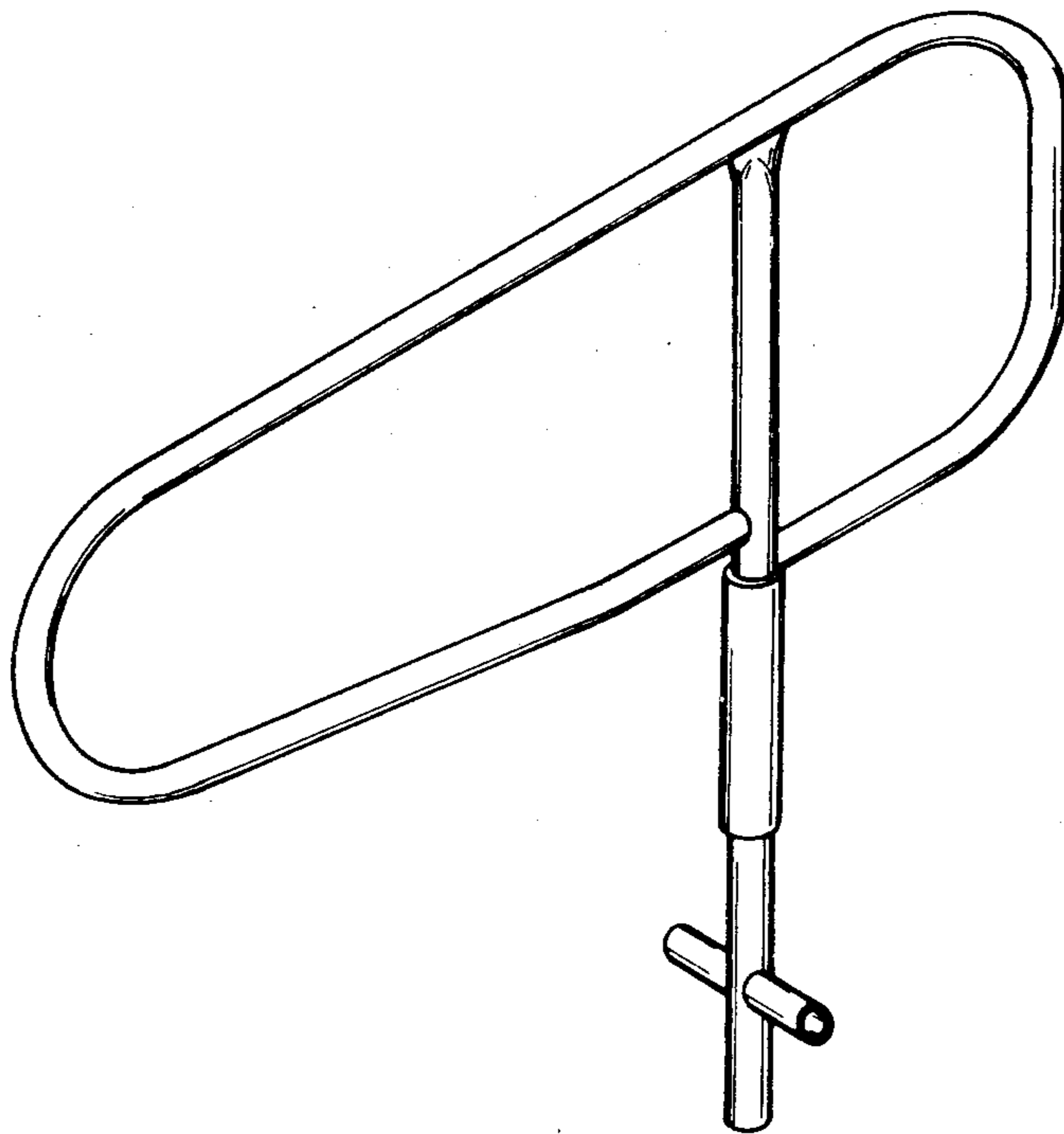
FIG. 4 is a rear elevational view thereof;

FIG. 5 is a front elevational view thereof;

FIG. 6 is a top plan view thereof; and

FIG. 7 is a bottom plan view thereof.

The fragmentary broken line representation of cattle stalls in FIG. 1 is for purposes of illustration only.



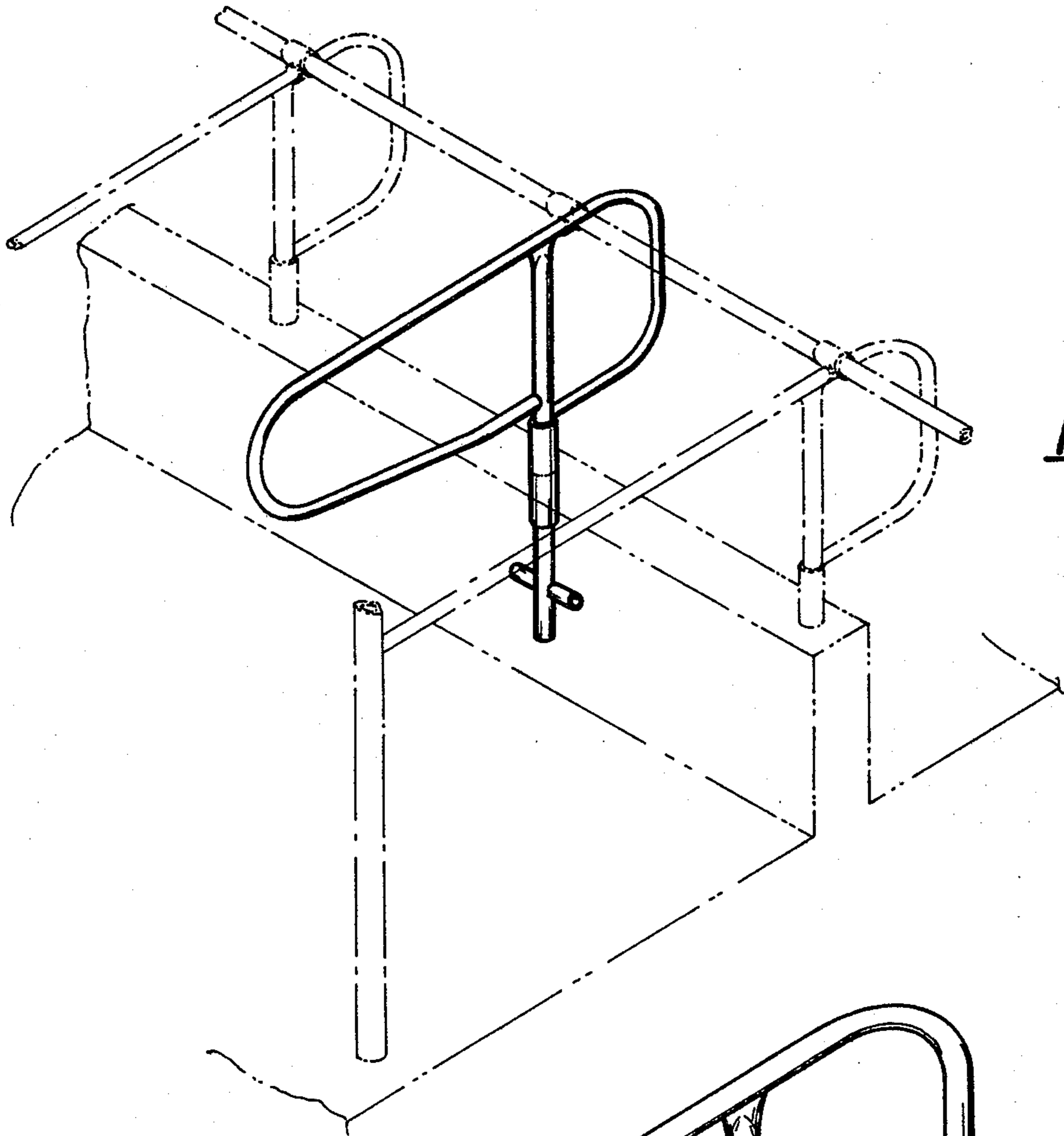


FIG. 1

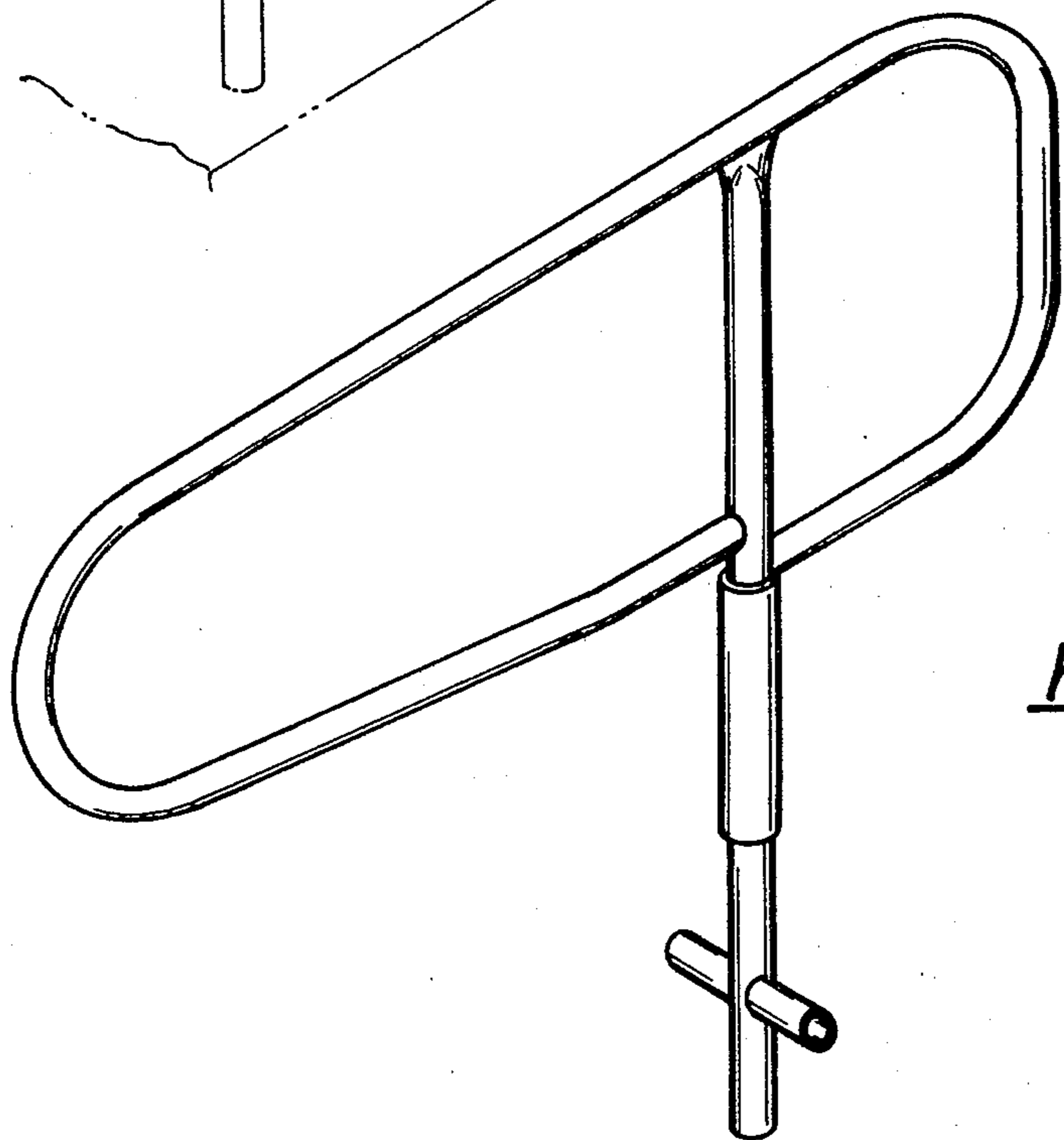


FIG. 2



FIG. 6

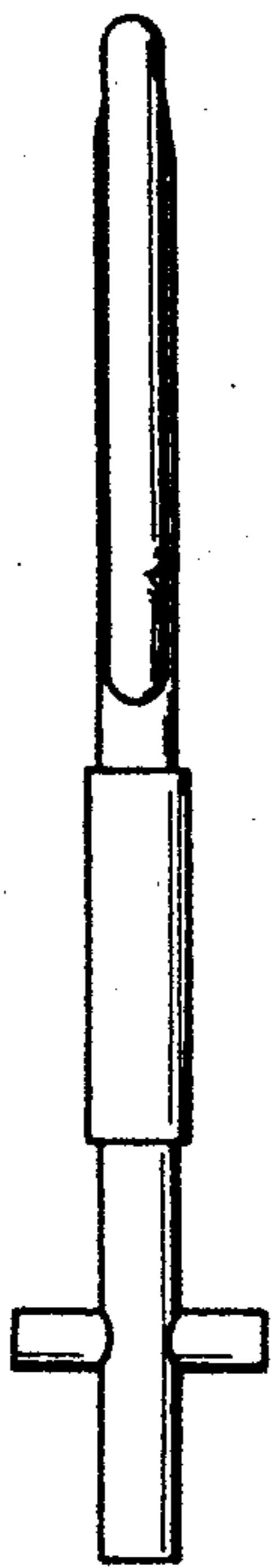


FIG. 4

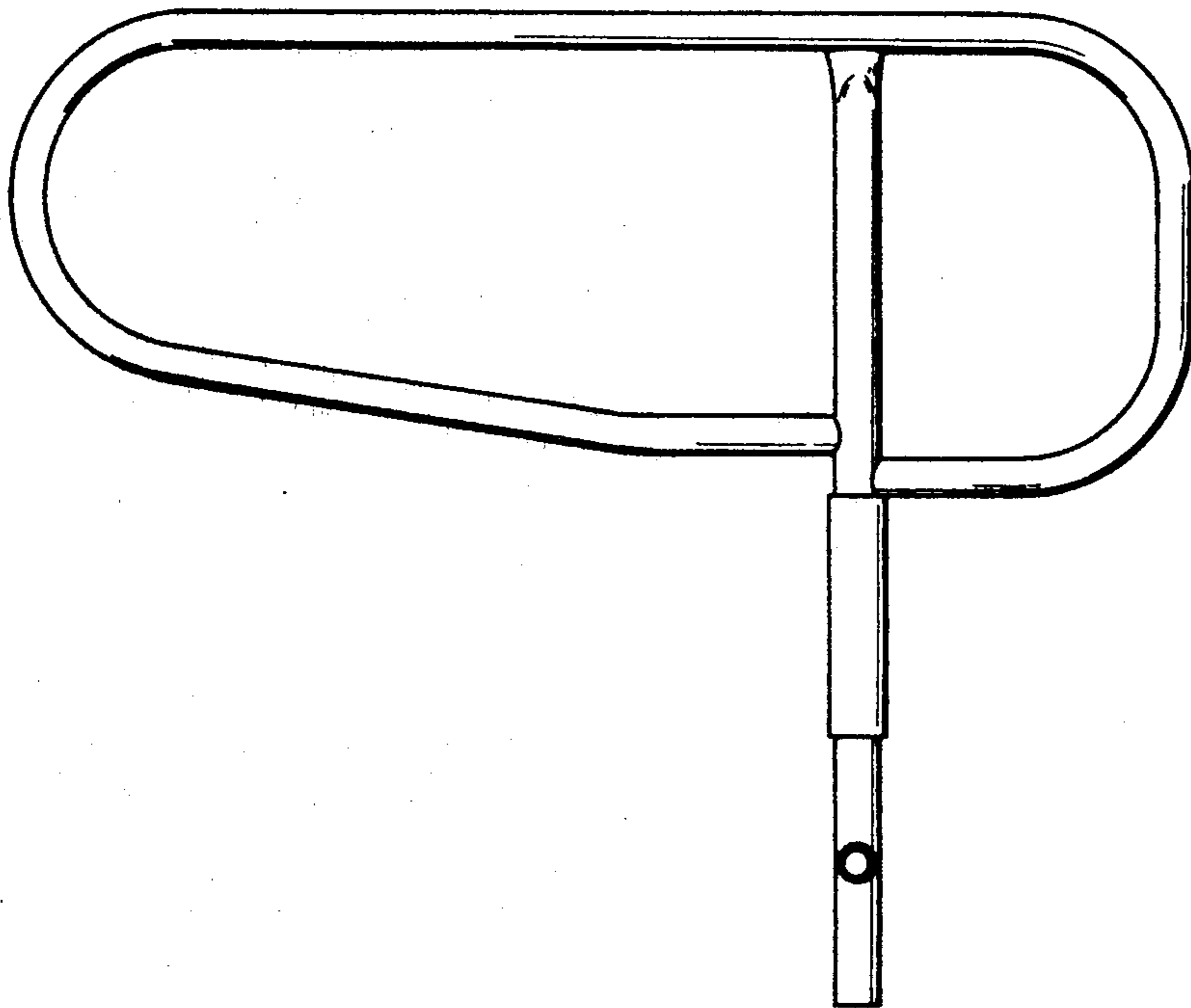


FIG. 3

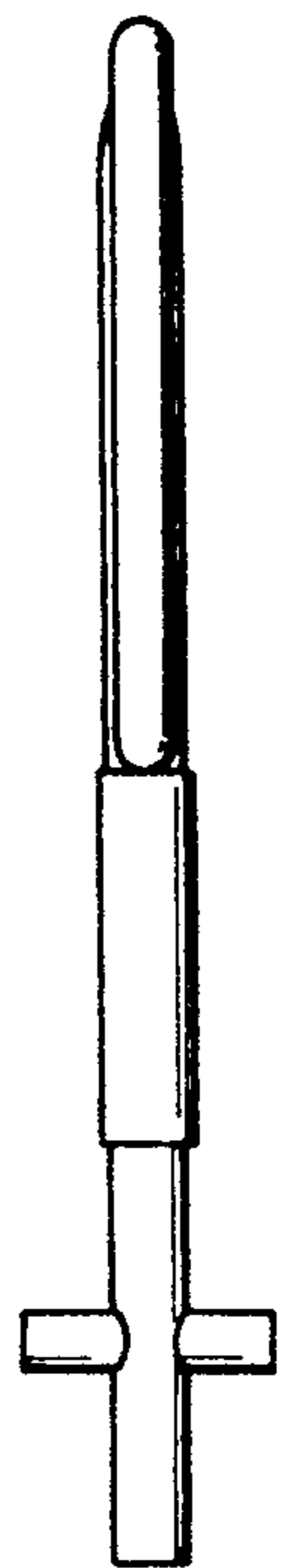


FIG. 5

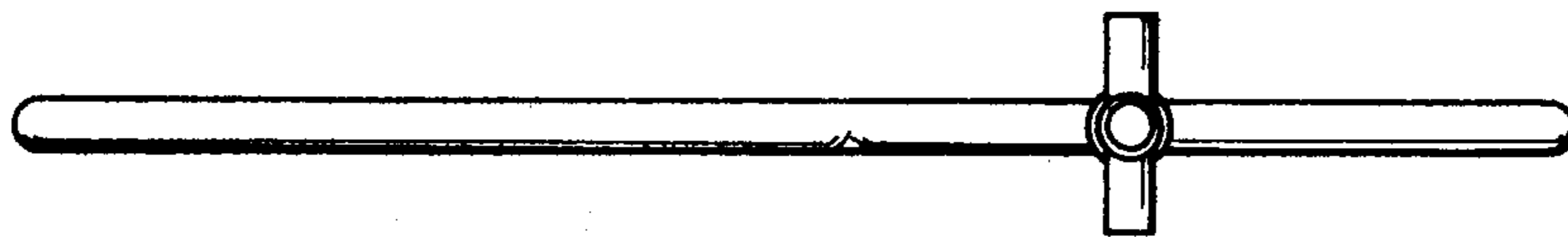


FIG. 7