

[54] TIBIAL TORSION SPLINT

[76] Inventor: **Ross L. Bremer**, 1107 Margaret St. (at Five Points), Jacksonville, Fla. 32204

[\*\*] Term: **14 Years**

[21] Appl. No.: **279,513**

[22] Filed: **Jul. 1, 1981**

[52] U.S. Cl. .... **D24/64; 128/80 R**

[58] Field of Search ..... **128/80 R, 80 A, 80 J; D24/64; 2/22**

[56] **References Cited**

**U.S. PATENT DOCUMENTS**

9,472	12/1852	Hussey	128/80 A
114,669	5/1971	Grant	128/80 J
D. 244,152	4/1977	Kvittingen	D24/64
D. 267,511	1/1983	Morgan	D24/64
2,410,560	11/1946	Witte	128/80 R X
2,585,342	2/1952	Morgan	128/80 R

2,630,801	3/1953	Mest et al.	128/80 R
3,086,522	4/1963	Frohmader	128/80 R
3,171,407	3/1965	Rogers	128/80 R
3,304,937	2/1967	Callender, Jr.	128/80 R
3,777,747	12/1973	Friedman	128/80 A
3,892,231	7/1975	Tummillo	128/80 A
3,958,567	5/1976	Callender, Jr.	128/80 R
4,136,404	1/1979	Lange	128/80 R
4,295,466	10/1981	Prout	128/80 R

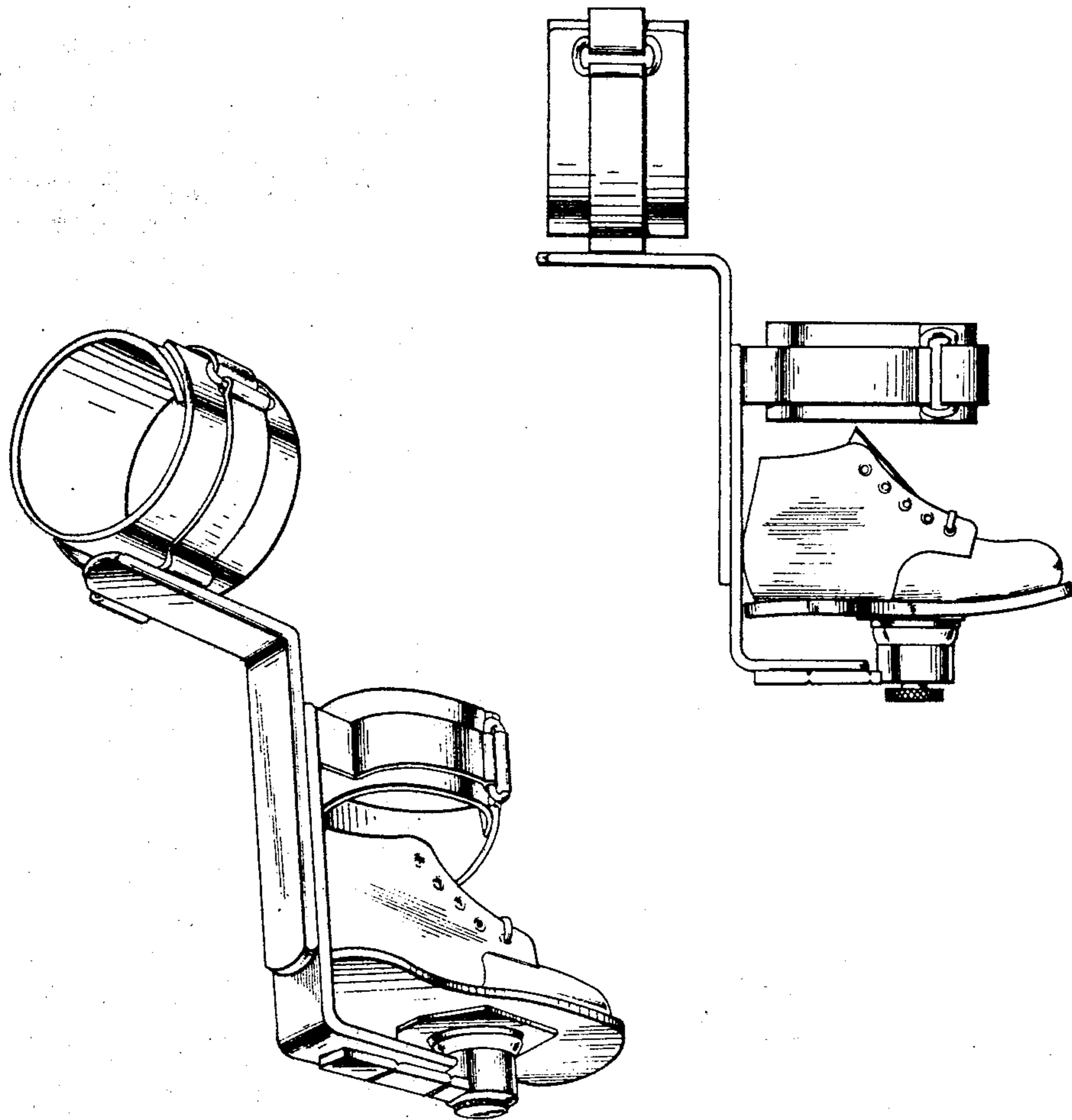
*Primary Examiner*—Bernard Ansher  
*Attorney, Agent, or Firm*—Cushman, Darby & Cushman

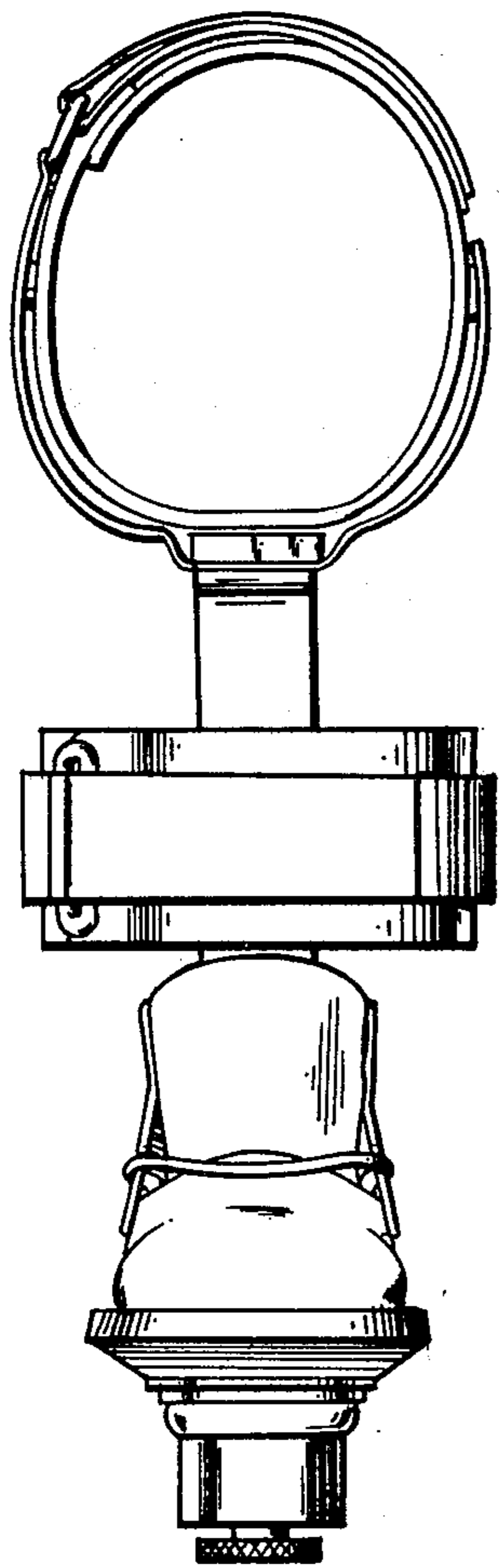
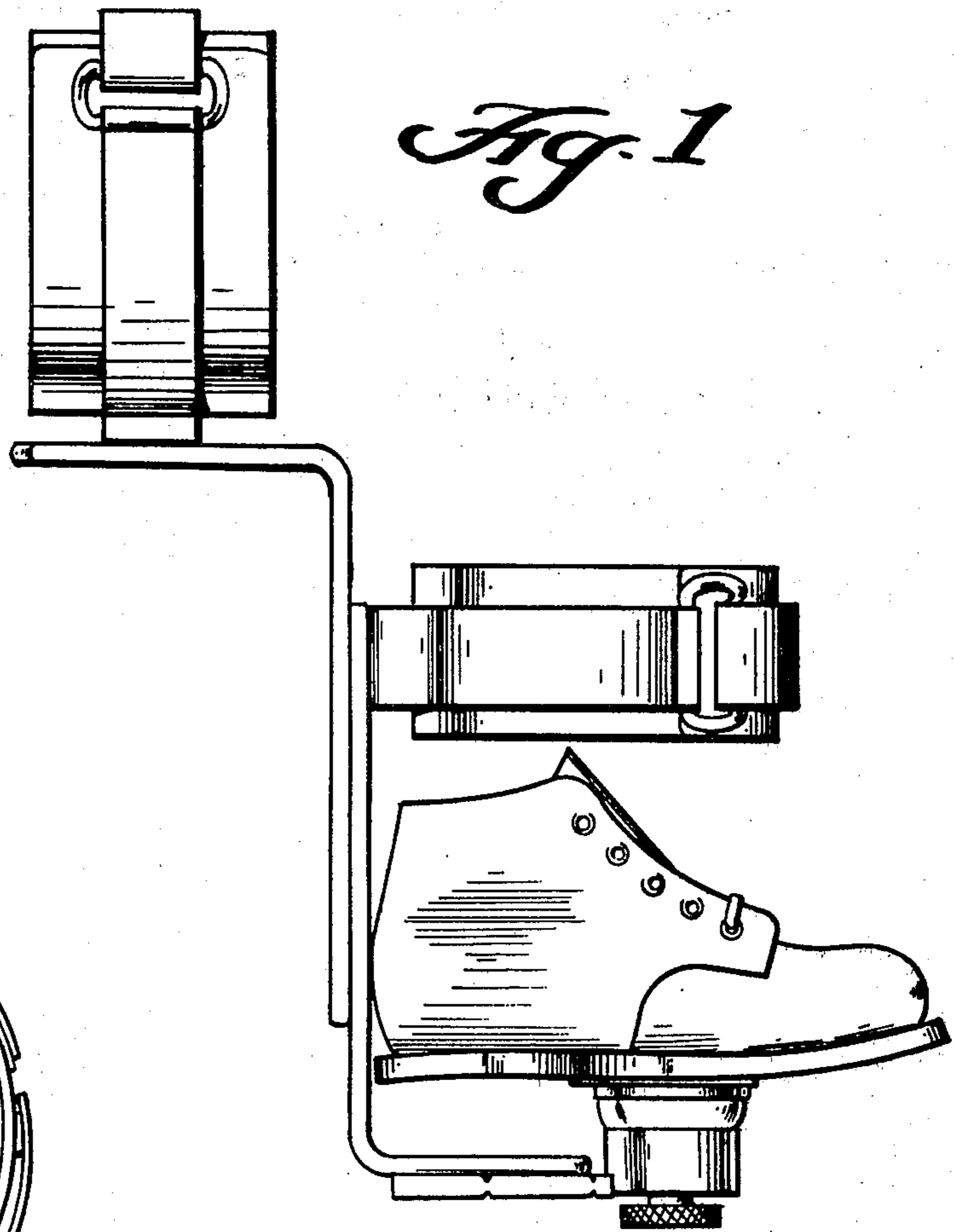
[57] **CLAIM**

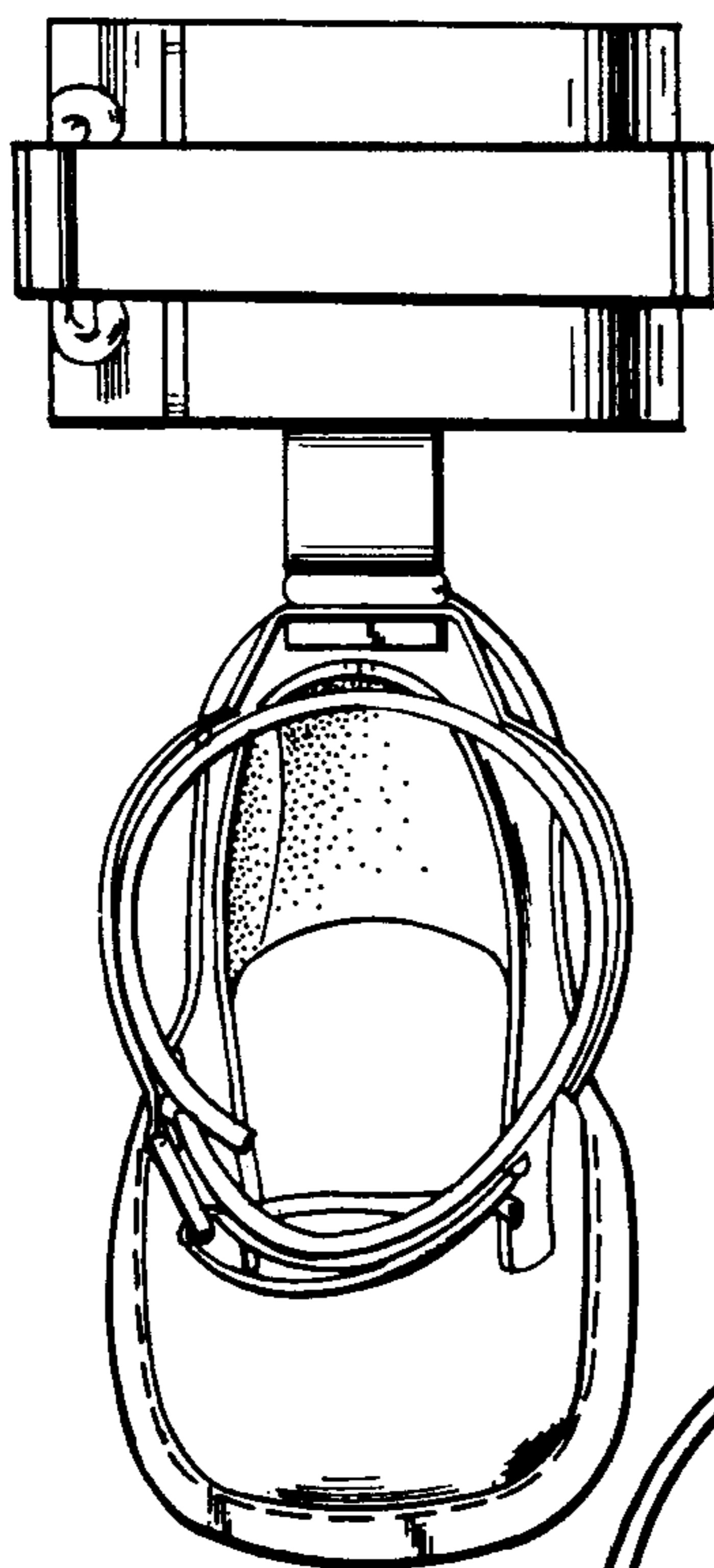
The ornamental design for a tibial torsion splint, substantially as shown and described.

**DESCRIPTION**

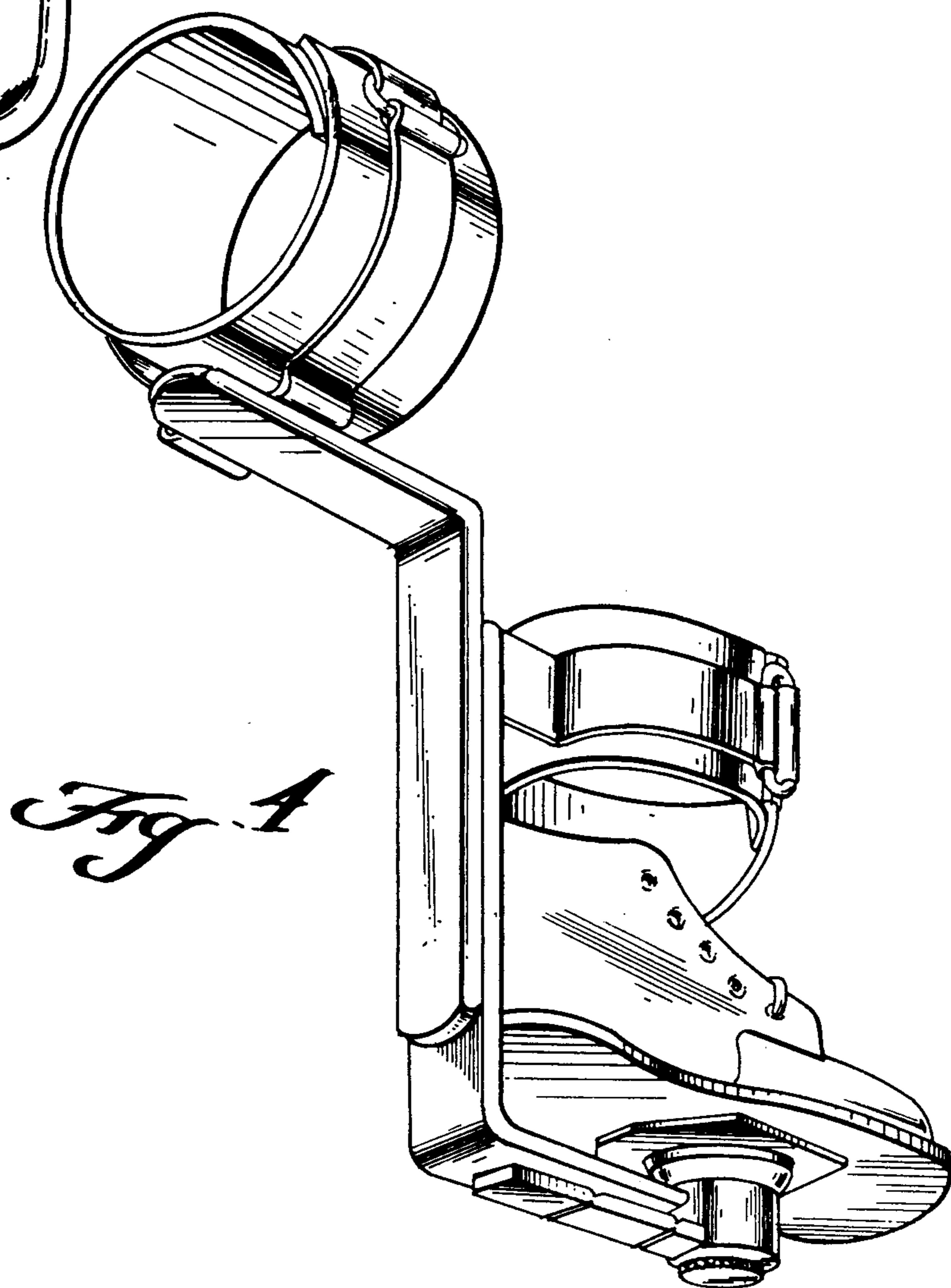
FIG. 1 is a side view of a tibial torsion splint showing my new design;  
FIG. 2 is a front view;  
FIG. 3 is a top plan view; and  
FIG. 4 is a bottom perspective view.







*Fig. 3*



*Fig. 1*