

[54] MOBILE X-RAY APPARATUS

[75] Inventors: Kenneth R. Fenne, Glen Ellyn; Carl A. Wassell, Streamwood, both of Ill.

[73] Assignee: Techny Industries, Inc., Glenview, Ill.

[**] Term: 14 Years

[21] Appl. No.: 299,626

[22] Filed: Sep. 4, 1981

[52] U.S. Cl. D24/2

[58] Field of Search D24/2; 377/101; 378/117; 365/84

[56] References Cited

U.S. PATENT DOCUMENTS

- D. 101,387 9/1936 Monnot D24/2
- D. 186,960 12/1959 Carlson et al. D24/2
- D. 215,981 11/1969 Schubert D24/2

- D. 244,805 6/1977 Ohlson D24/2
- 3,070,695 12/1962 Stickney et al. D24/2 X
- 3,210,547 10/1965 Eliot D24/2 X

Primary Examiner—Bernard Ansher
Attorney, Agent, or Firm—Trexler, Bushnell & Wolters, Ltd.

[57] CLAIM

The ornamental design for a mobile x-ray apparatus, substantially as shown and described.

DESCRIPTION

FIG. 1 is a top plan view showing our new mobile x-ray apparatus design in radiographic or operative position; FIG. 2 is a side elevational view of the apparatus of FIG. 1; FIG. 3 is a front elevational view of the apparatus; FIG. 4 is a perspective view of the apparatus; and FIG. 5 is a perspective view similar to FIG. 4 but showing the apparatus in the storage and transport position.

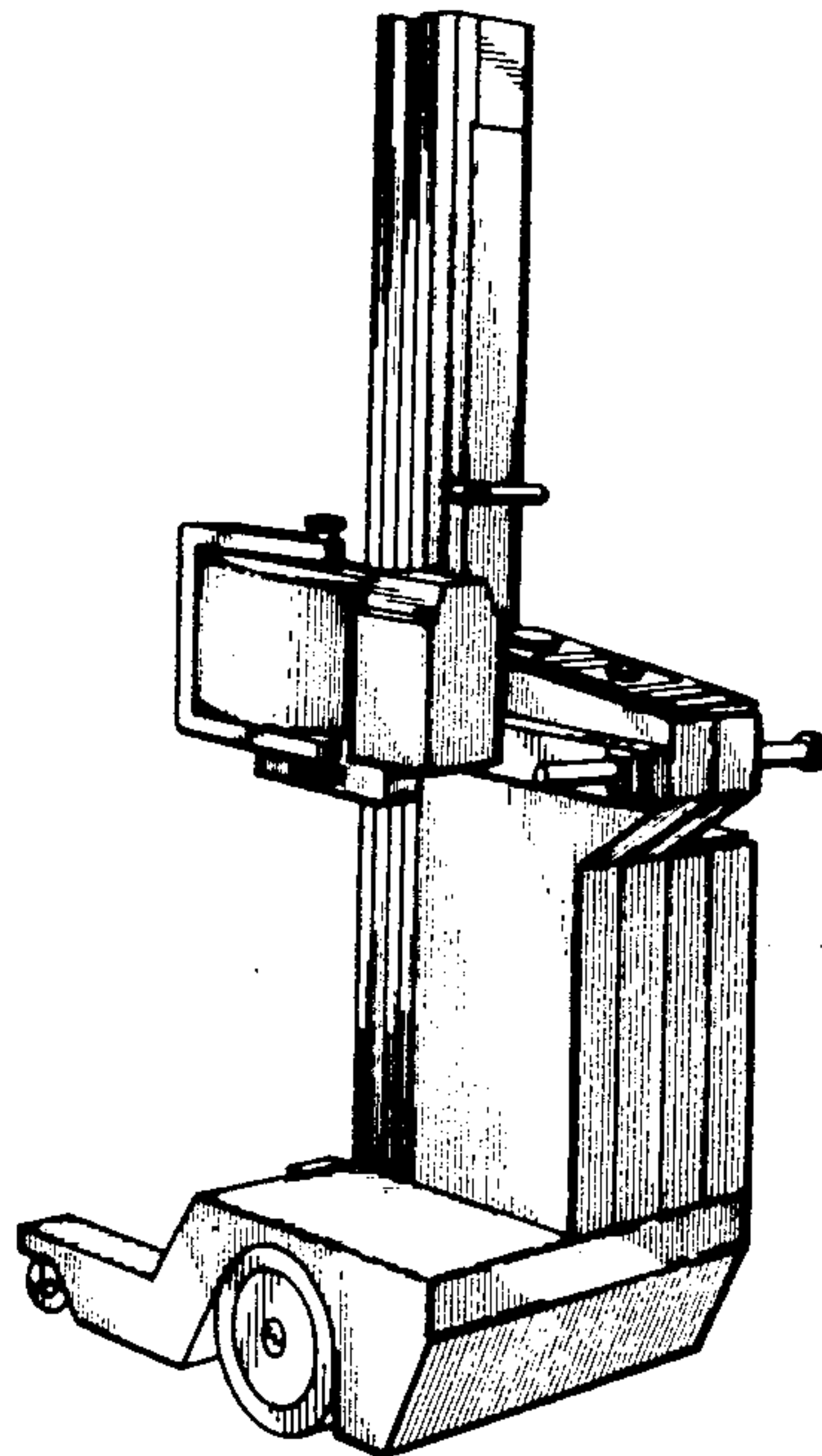
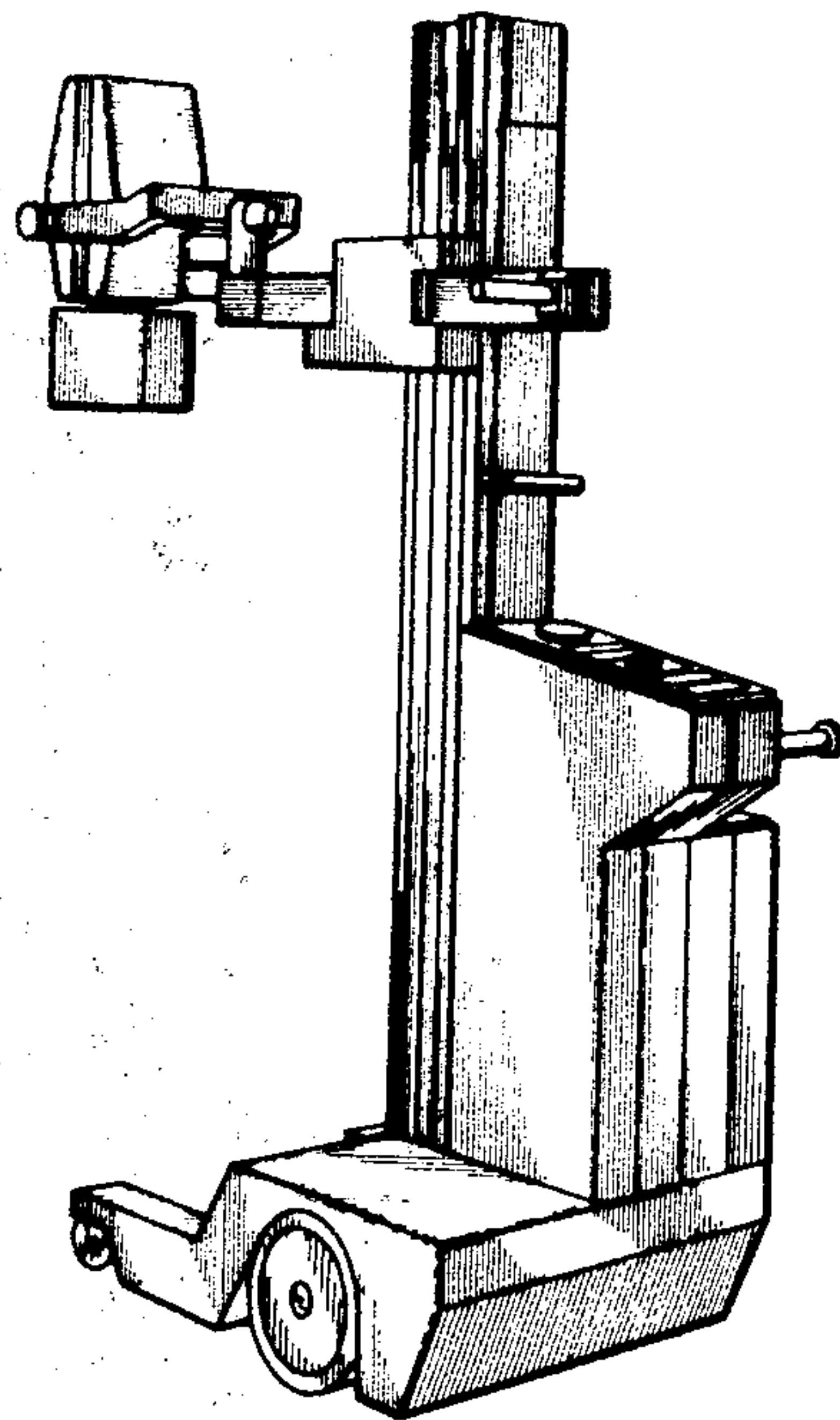


FIG. 1

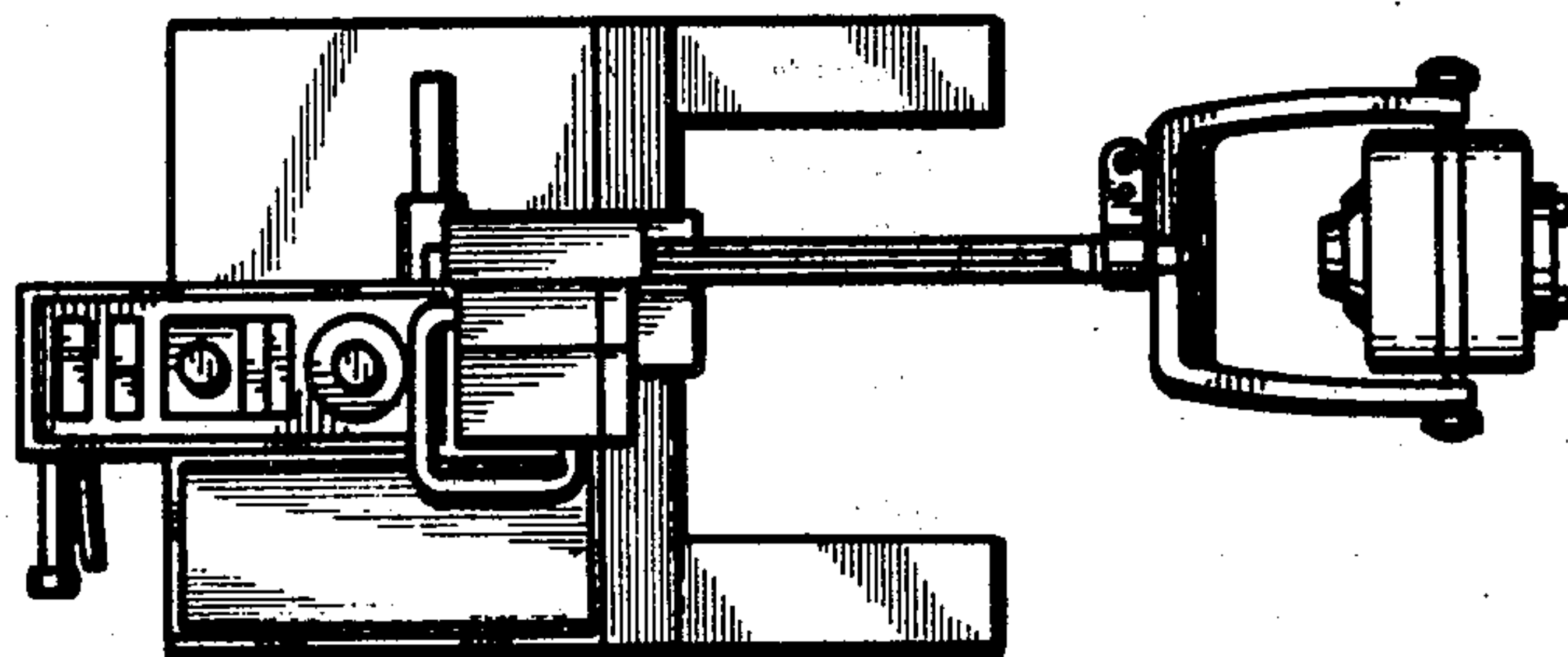


FIG. 2

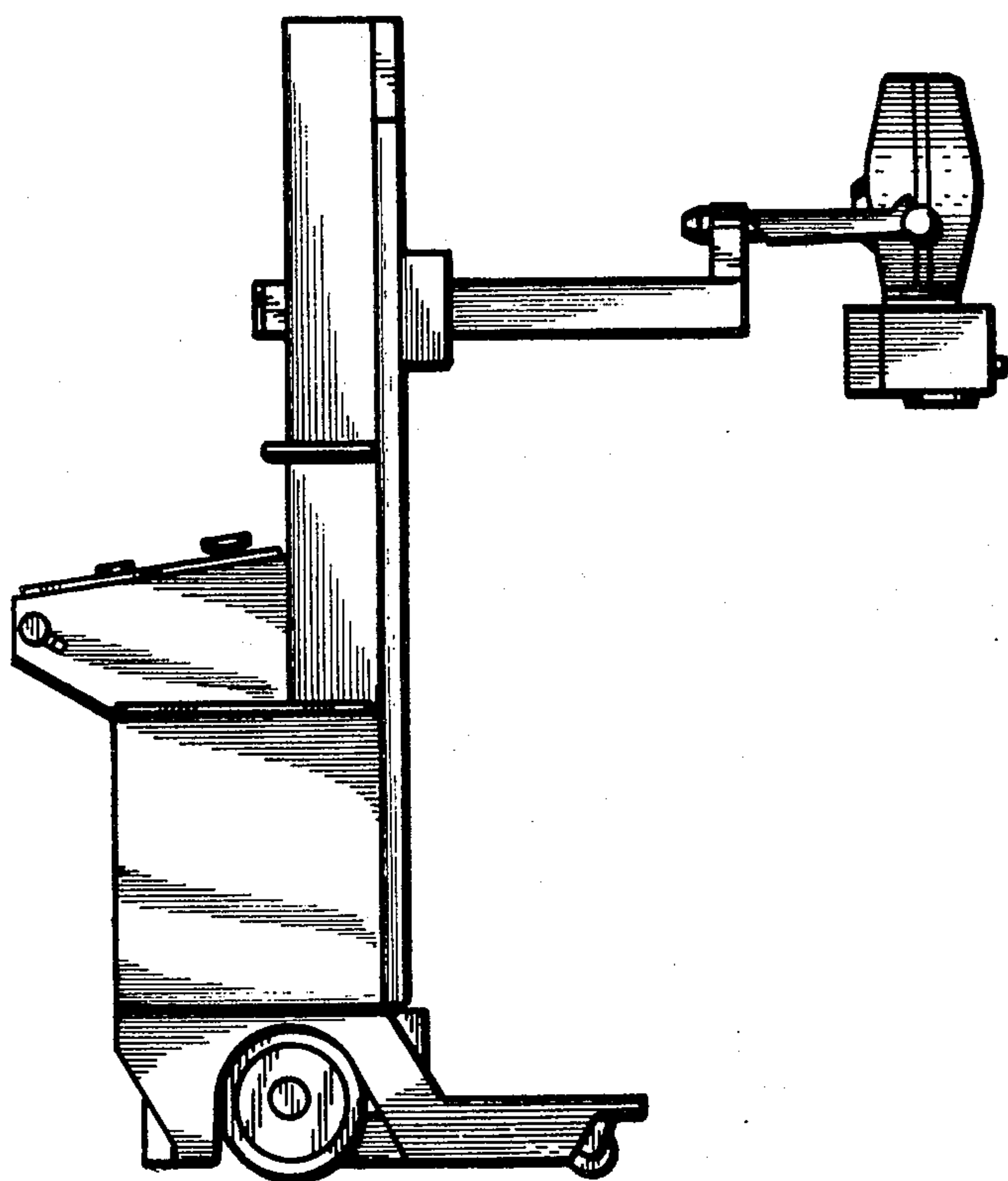


FIG. 3

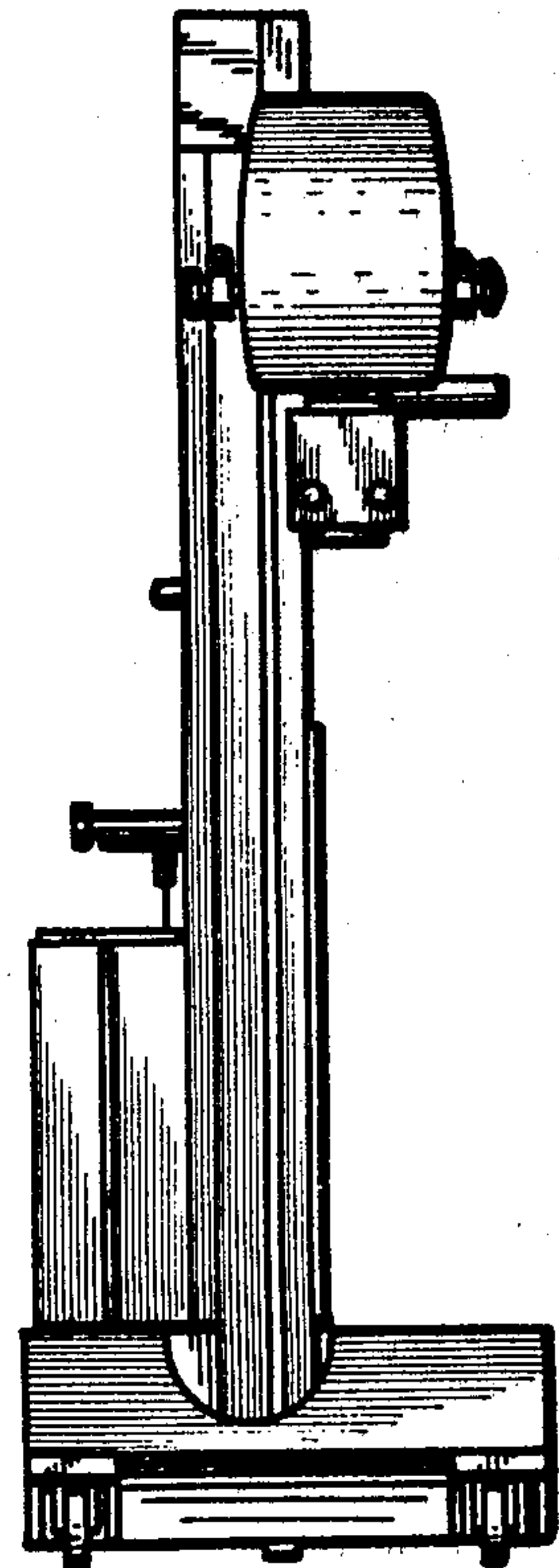


FIG. 5

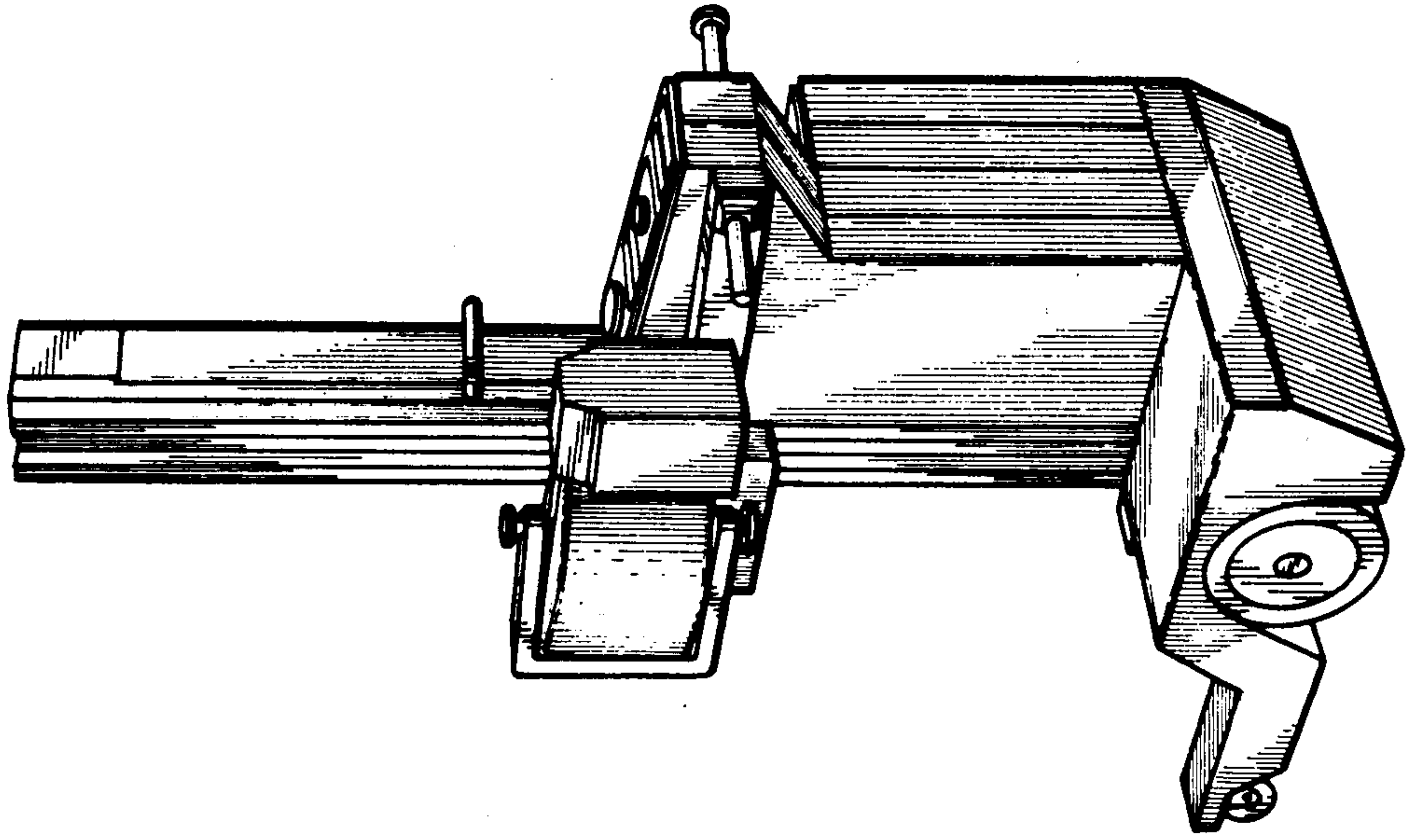


FIG. 4

