

- [54] **FISHING REEL CONE**
- [75] **Inventor: John W. Puryear, Tulsa, Okla.**
- [73] **Assignee: Brunswick Corporation, Skokie, Ill.**
- [\*\*] **Term: 14 Years**
- [21] **Appl. No.: 391,419**
- [22] **Filed: Jun. 24, 1982**
- [52] **U.S. Cl. .... D22/25**
- [58] **Field of Search ..... 242/84.1 R, 84.2 R,  
242/84.2 A; D22/25, 26**

- [56] **References Cited**  
**U.S. PATENT DOCUMENTS**  
3,794,264 2/1974 Hull ..... 242/84.2 R  
4,331,303 5/1982 Moss ..... 242/84.2 A

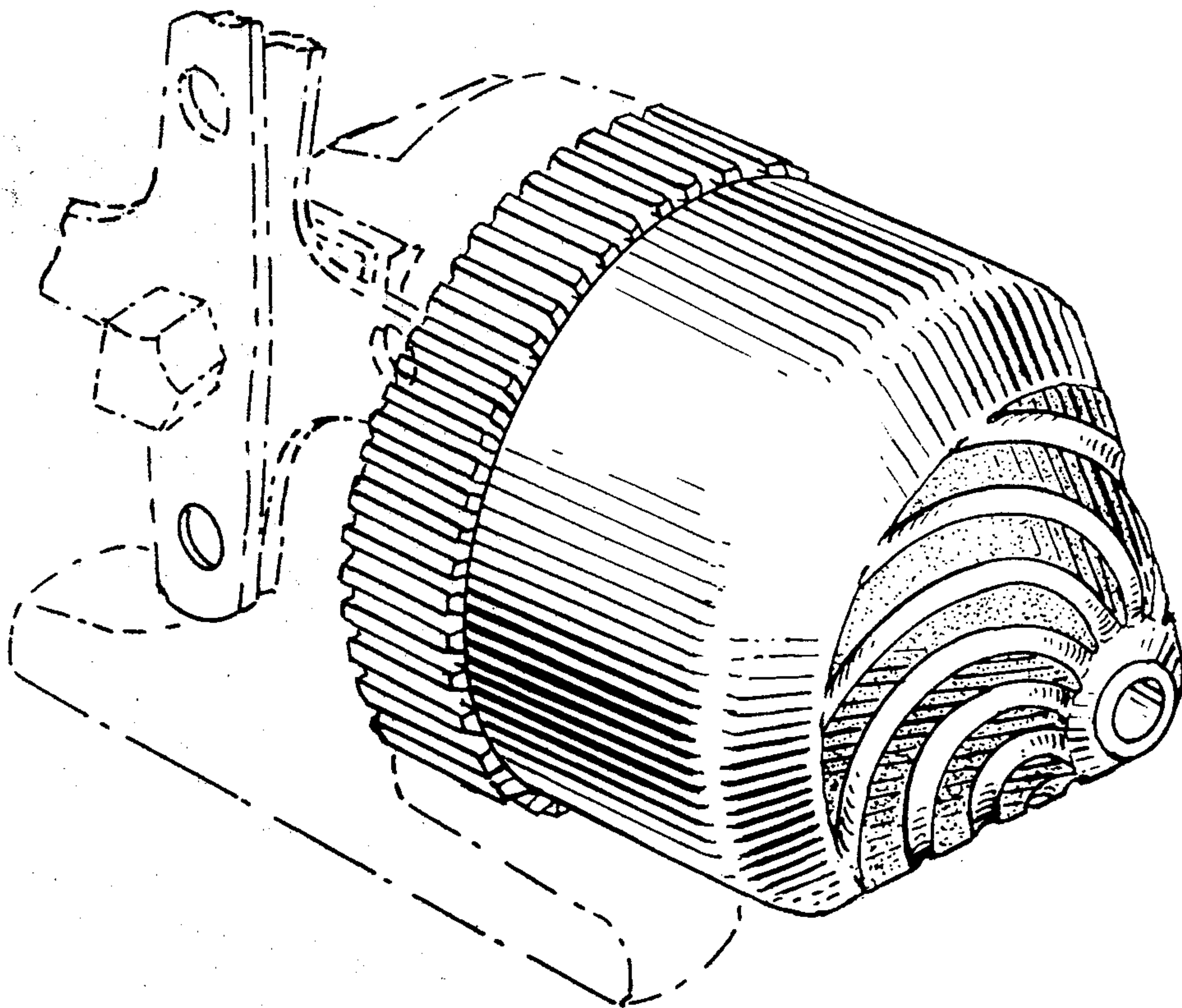
*Primary Examiner*—A. Hugo Word  
*Attorney, Agent, or Firm*—John G. Heimovics

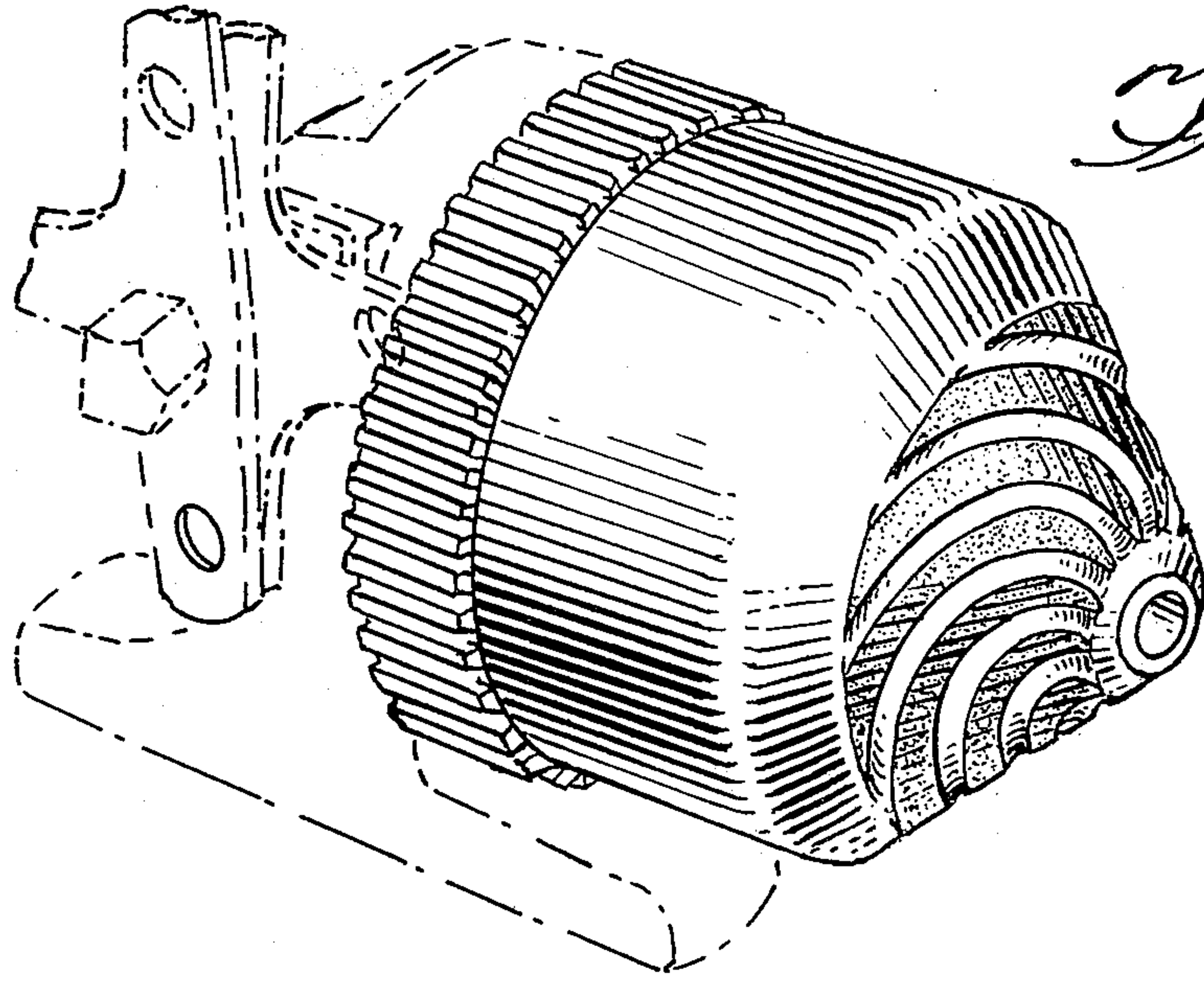
[57] **CLAIM**

The ornamental design of a fishing reel cone, as shown and described.

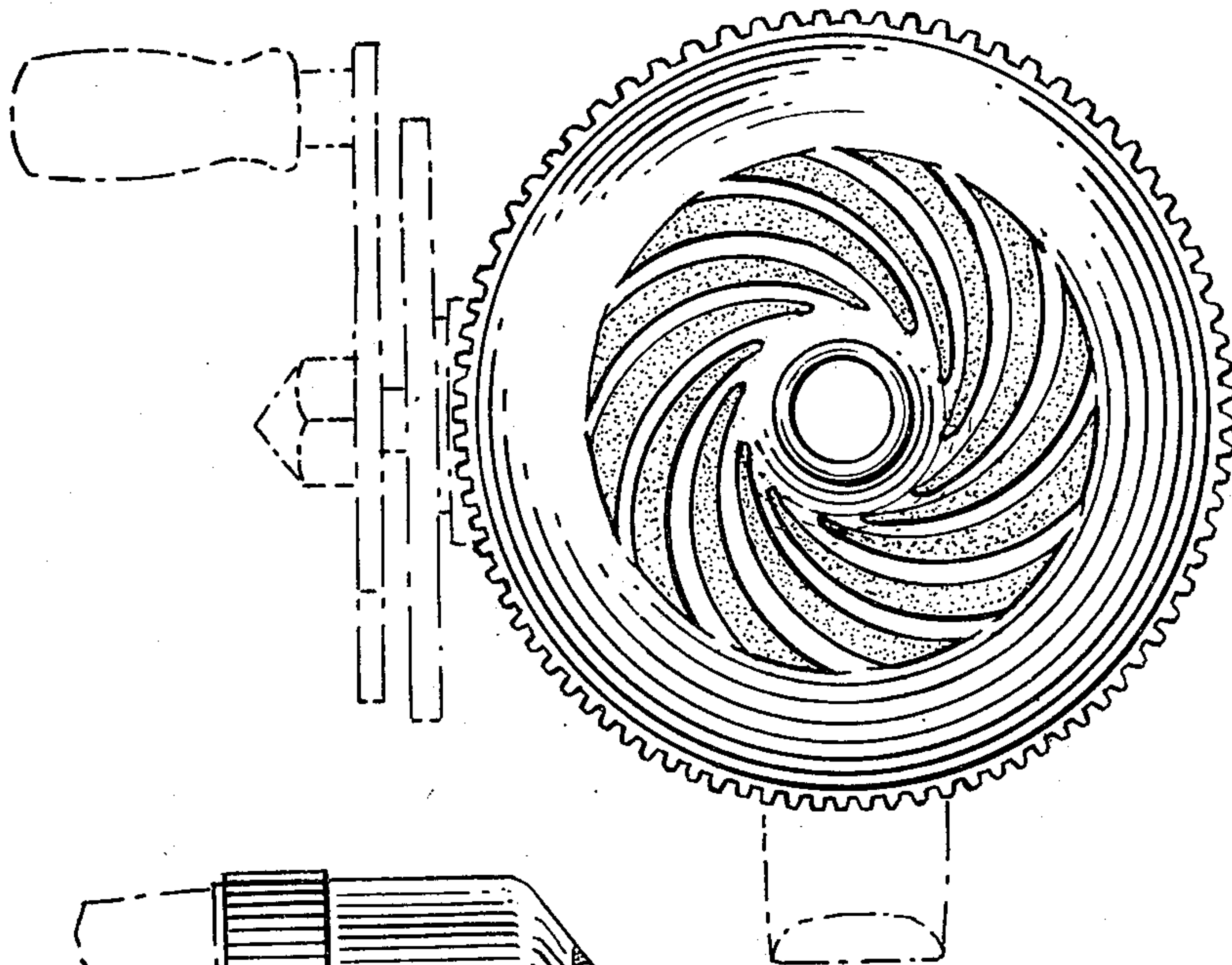
**DESCRIPTION**

FIG. 1 is a perspective view of a front and side view of the fishing reel cone showing my new cone design, the remaining portion of the reel is shown in phantom; FIG. 2 is a front elevation view thereof, with the remaining portion of the reel shown in phantom; and FIG. 3 is a side elevation view therewith of which the remaining portion of the reel is shown in phantom. The broken lines shown in the several views are for illustrative purposes only and form no part of the claimed design.

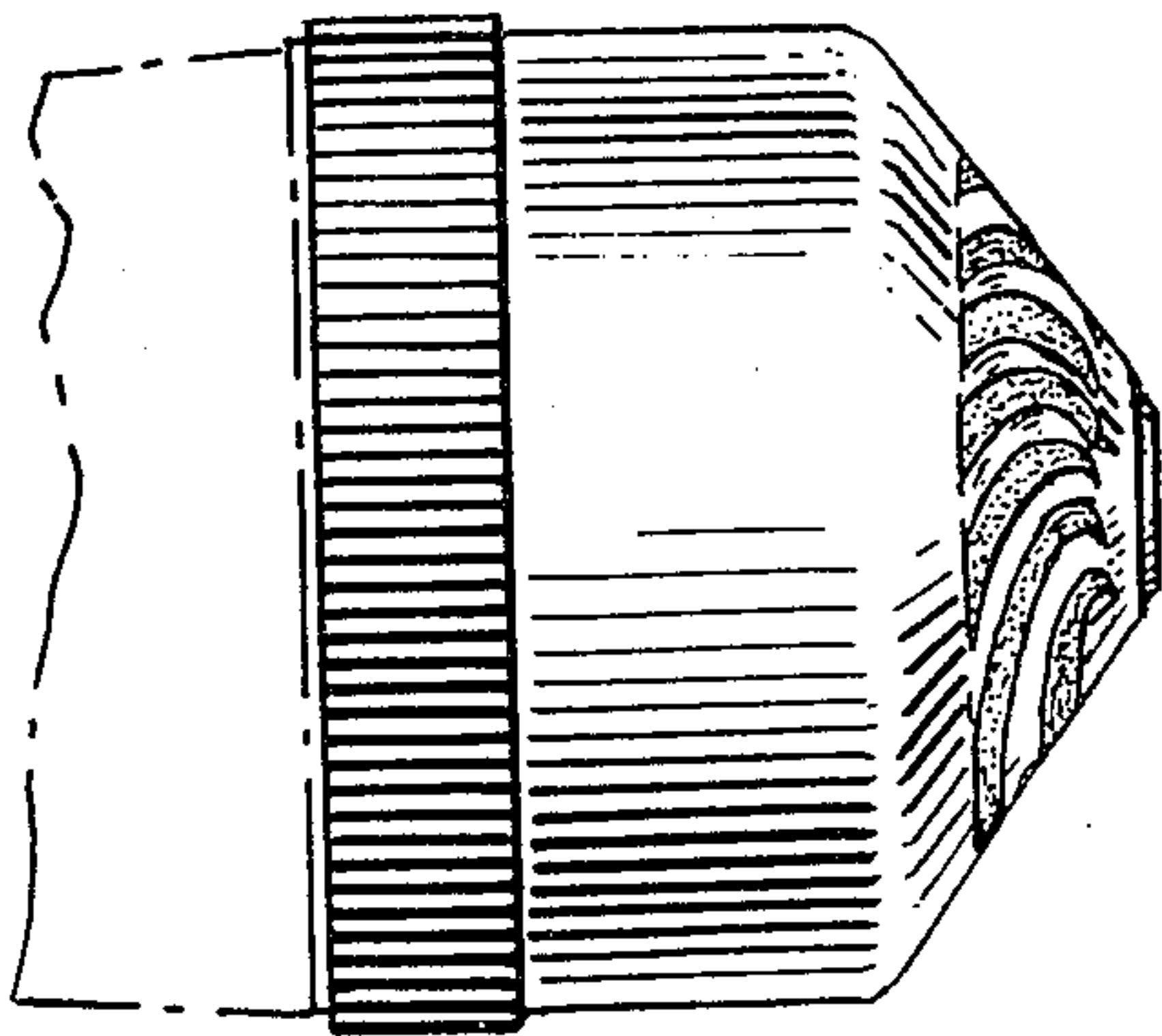




*Fig. 1*



*Fig. 2*



*Fig. 3*