

- [54] FISHING REEL
[75] Inventor: Richard J. Robbins, Derby, Kans.
[73] Assignee: Brunswick Corporation, Skokie, Ill.
[**] Term: 14 Years
[21] Appl. No.: 386,627
[22] Filed: Jun. 10, 1982
[52] U.S. Cl. D22/25
[58] Field of Search 242/84.1 R, 84.2 R,
242/84.2 A; D22/25, 26

[56] **References Cited**

U.S. PATENT DOCUMENTS

- D. 226,850 5/1973 Hull D22/25
3,794,264 2/1974 Hull 242/84.2 R

4,331,303 5/1982 Moss 242/84.2A

Primary Examiner—A. Hugo Word
Attorney, Agent, or Firm—John G. Heimovics

[57] **CLAIM**

The ornamental design of a fishing reel, as shown and described.

DESCRIPTION

FIG. 1 is a perspective view of a front and side portion of the fishing reel showing my new design;
FIG. 2 is a side elevation view thereof;
FIG. 3 is a side elevation view opposite to the view shown in FIG. 2;
FIG. 4 is a front elevation view thereof;
FIG. 5 is a top plan view thereof;
FIG. 6 is a bottom plan view thereof; and,
FIG. 7 is a back elevation view.

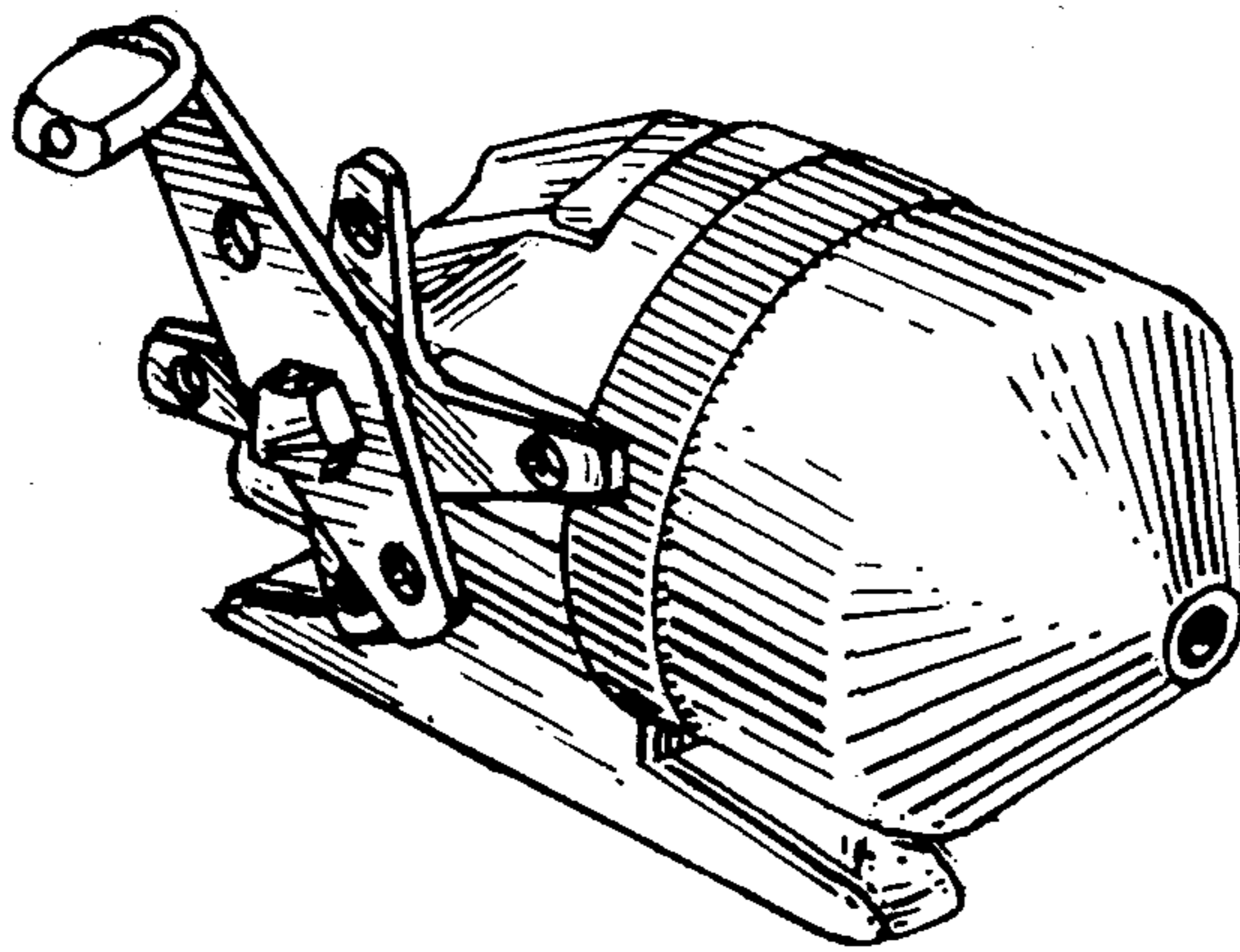


Fig. 1

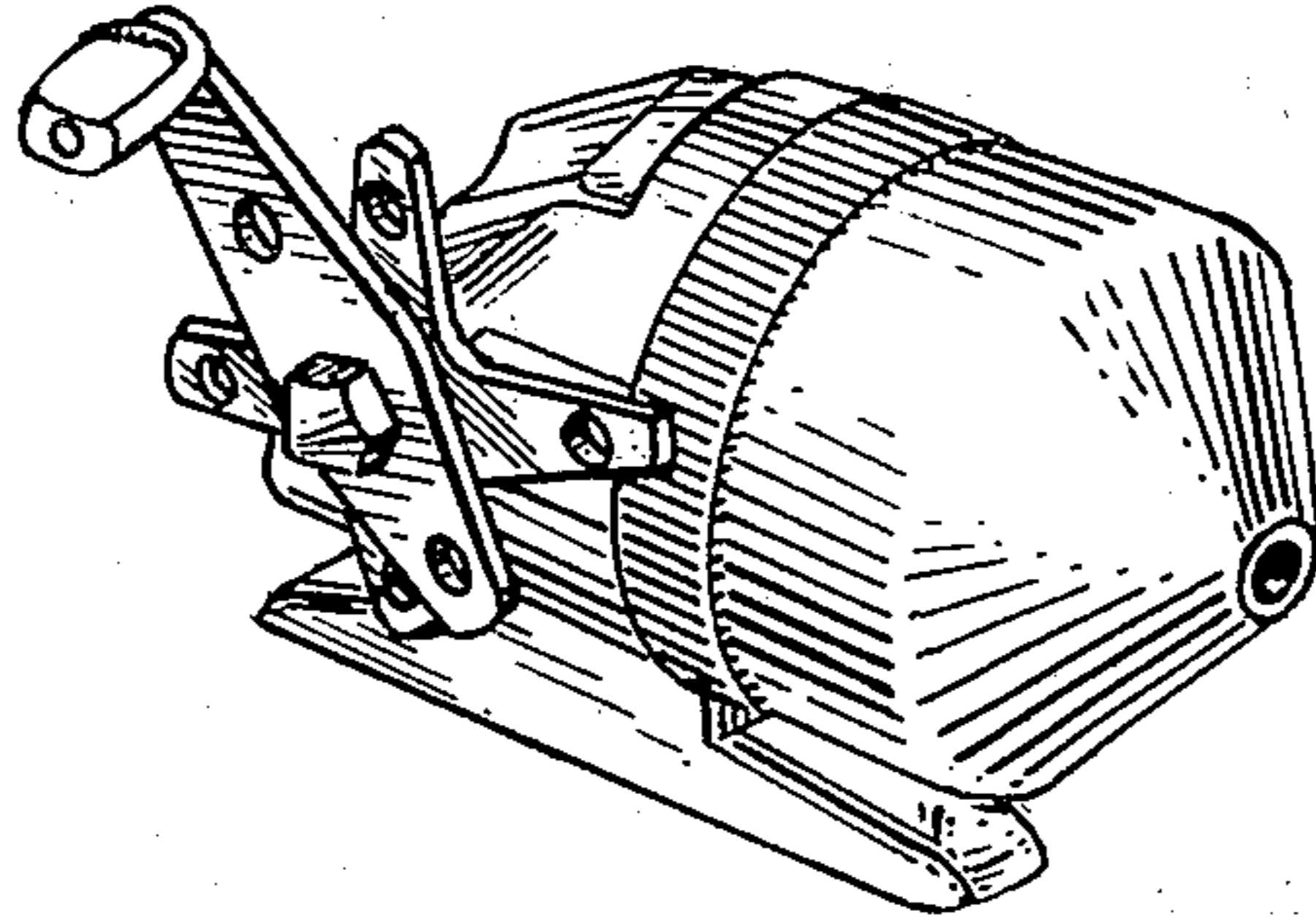


Fig. 2

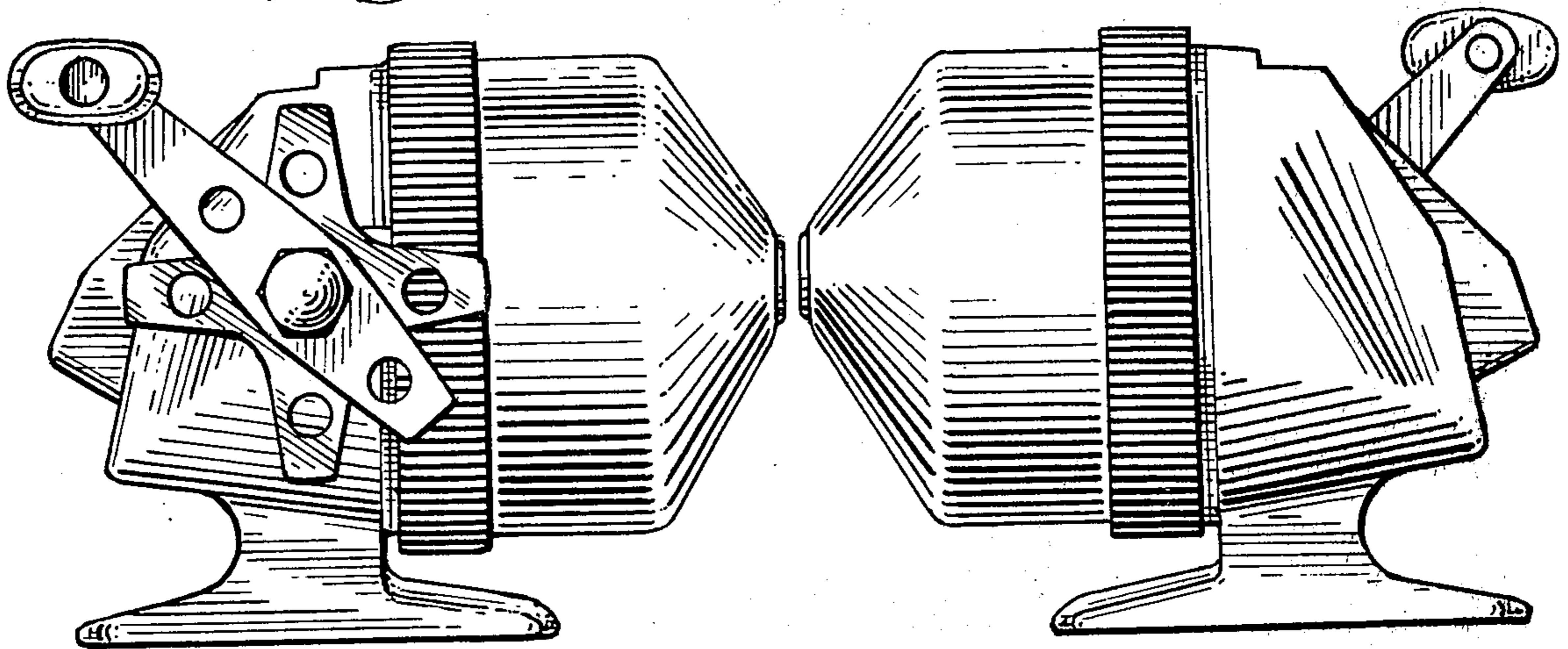


Fig. 3

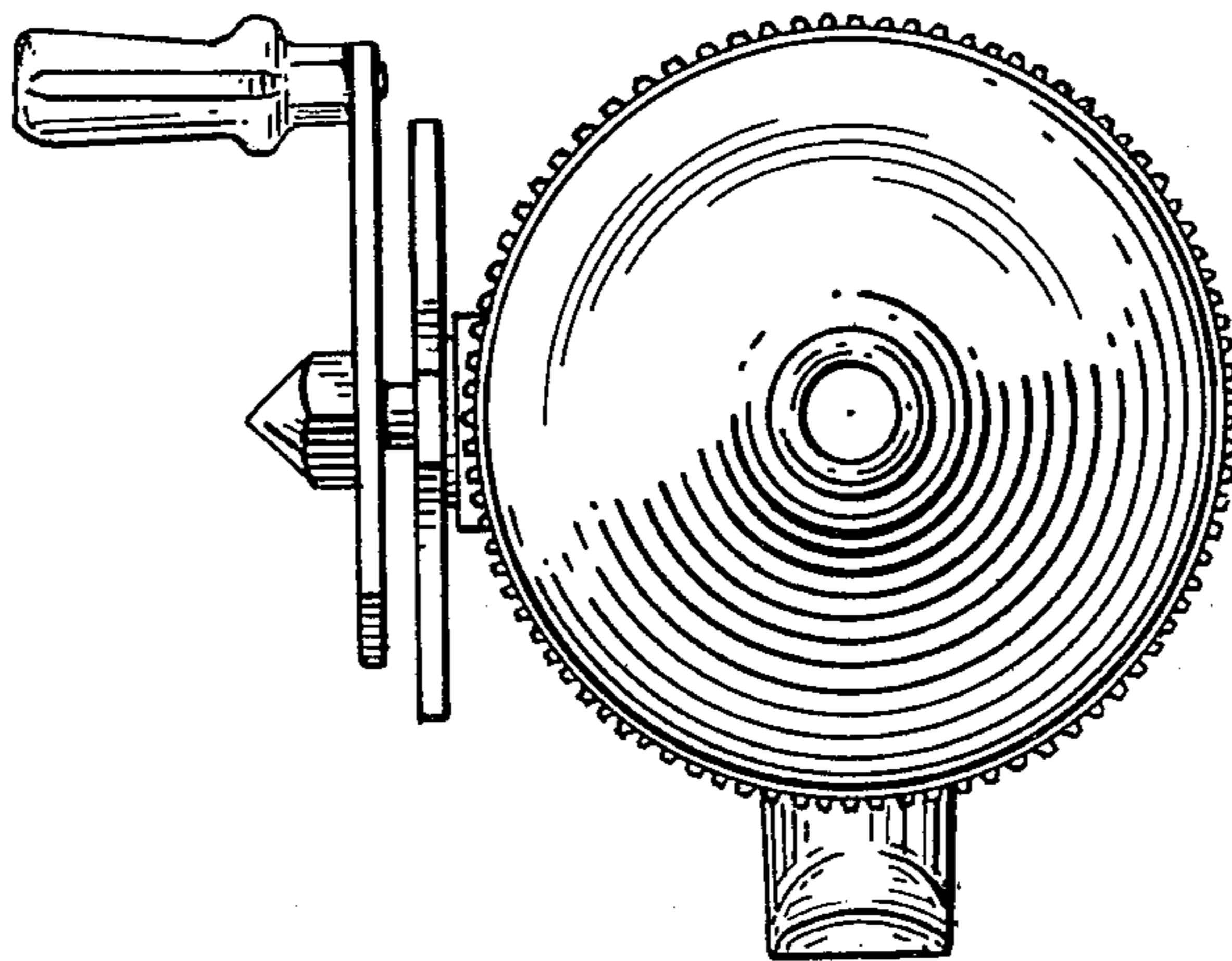


Fig. 4

Fig. 5

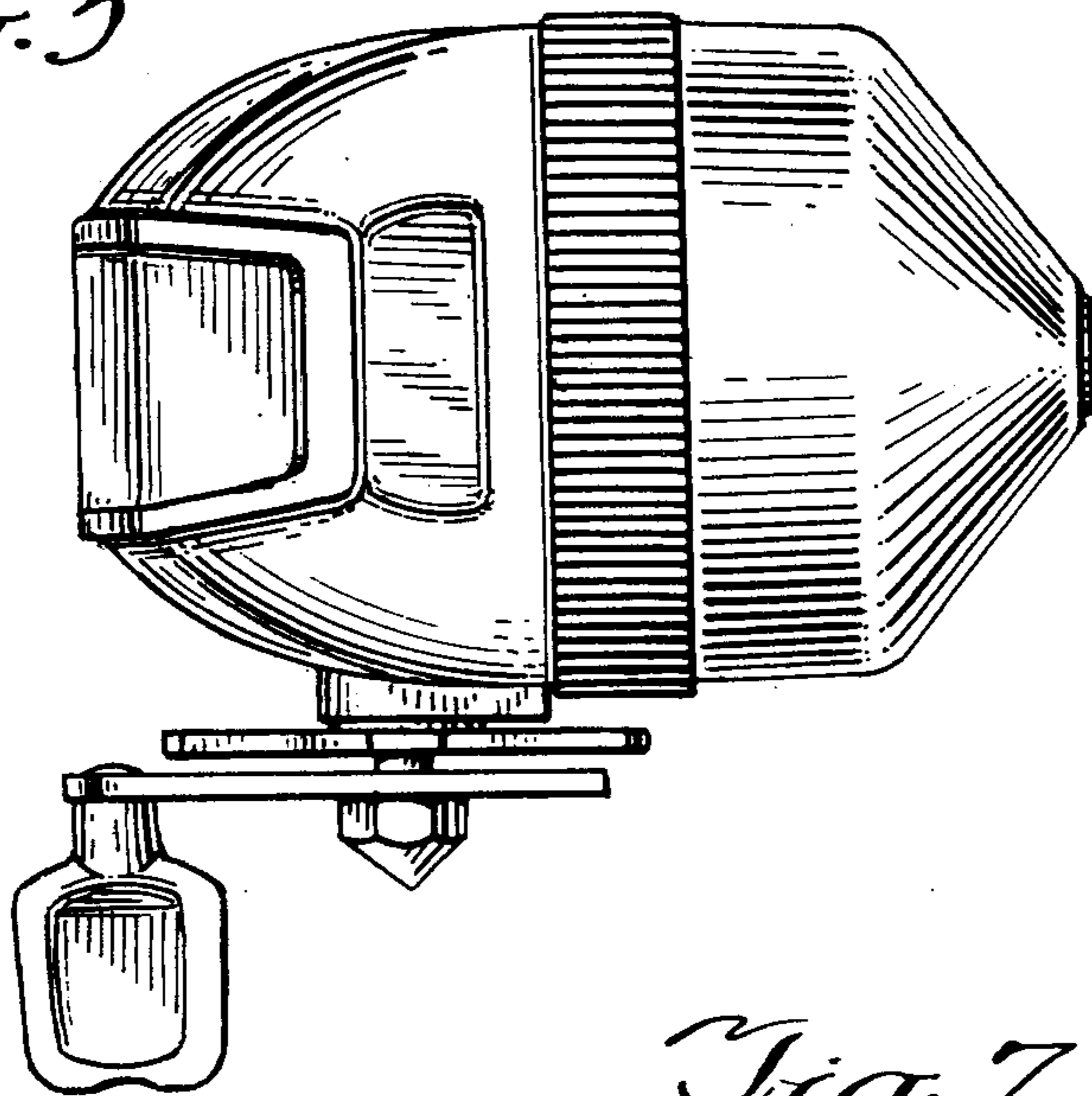


Fig. 7

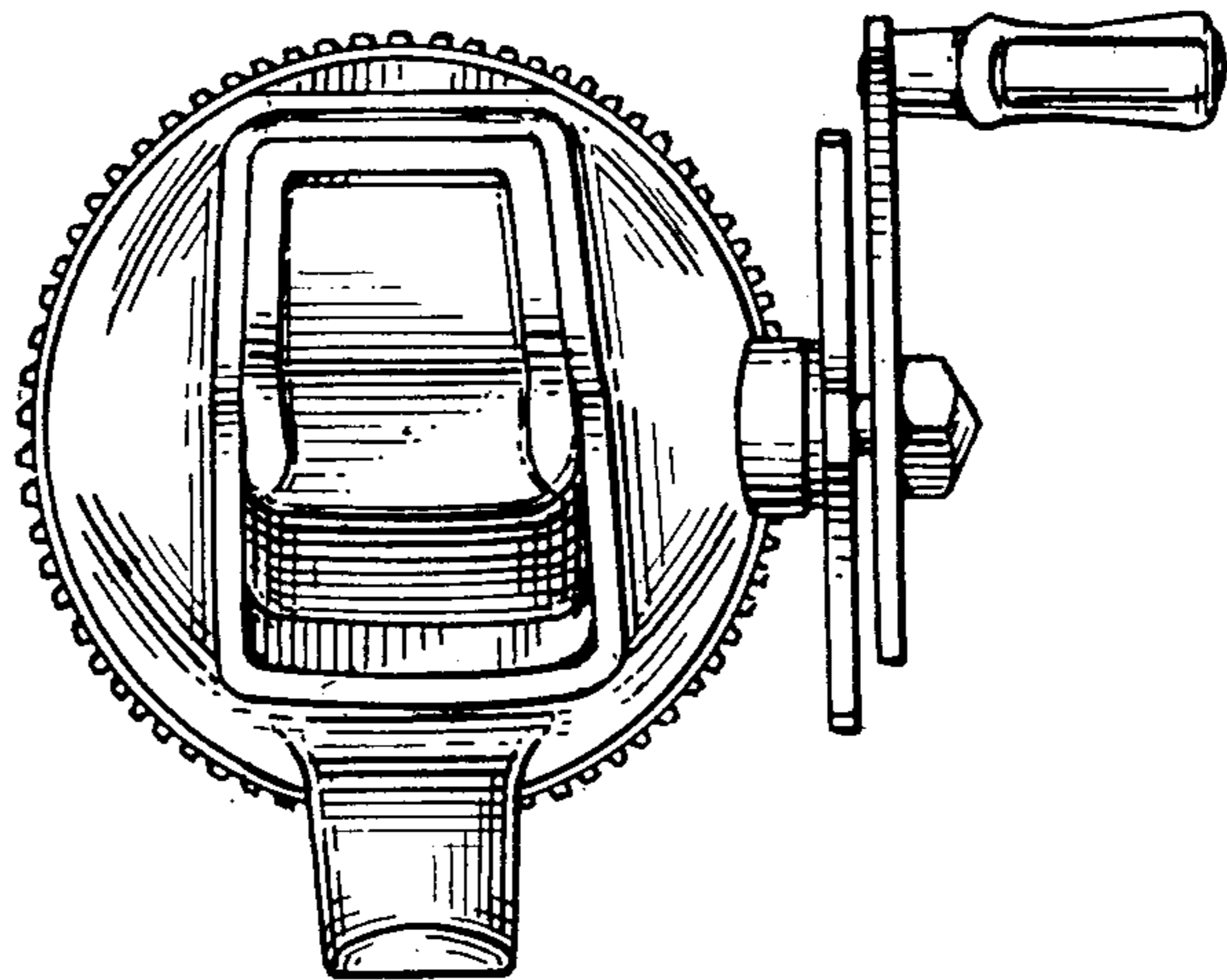


Fig. 6

