

[54] **DISPENSER FOR A ROLL OF ALUMINUM FOIL**

[76] **Inventor: Steven G. Hill, P.O. Box 252, Redwood City, Calif. 94063**

[**] **Term: 14 Years**

[21] **Appl. No.: 253,603**

[22] **Filed: Apr. 13, 1981**

[52] **U.S. Cl. D19/69**

[58] **Field of Search D99/99; D19/67-69; D6/96, 97; 225/39, 77; 312/39, 40, 32, 38; D15/126**

[56] **References Cited**

U.S. PATENT DOCUMENTS

- D. 145,773 10/1946 Bronfman D19/69
- D. 248,001 5/1978 Santaella D6/97
- D. 267,882 2/1983 Winter D15/126
- 3,529,877 9/1970 Cassidy D6/97

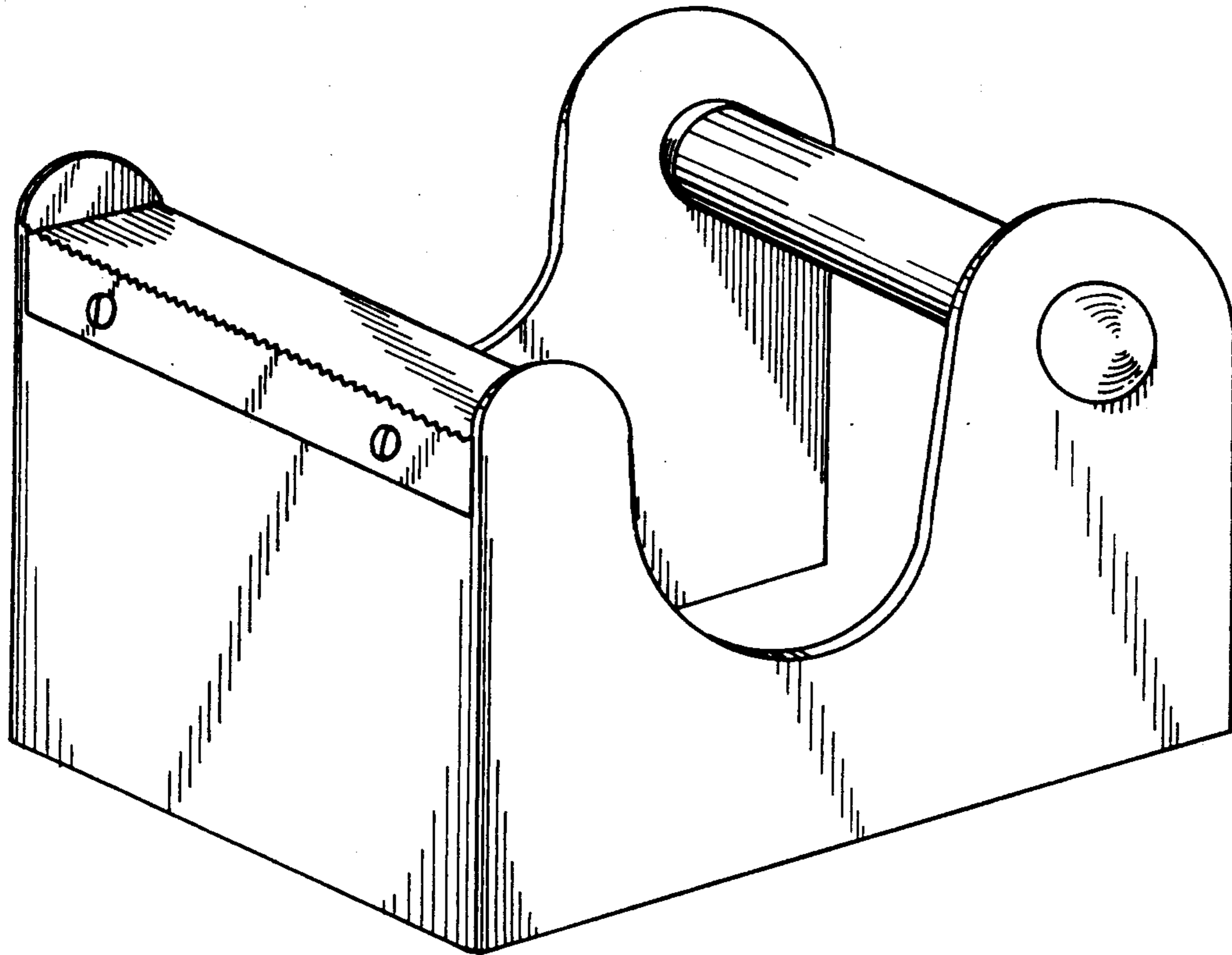
Primary Examiner—George P. Word

[57] **CLAIM**

The ornamental design for a dispenser for a roll of aluminum foil, as shown.

DESCRIPTION

FIG. 1 is a perspective view of a dispenser for a roll of aluminum foil showing my new design; FIG. 2 is a front elevational view thereof; FIG. 3 is a top plan view thereof; and FIG. 4 is a left side elevational view thereof.



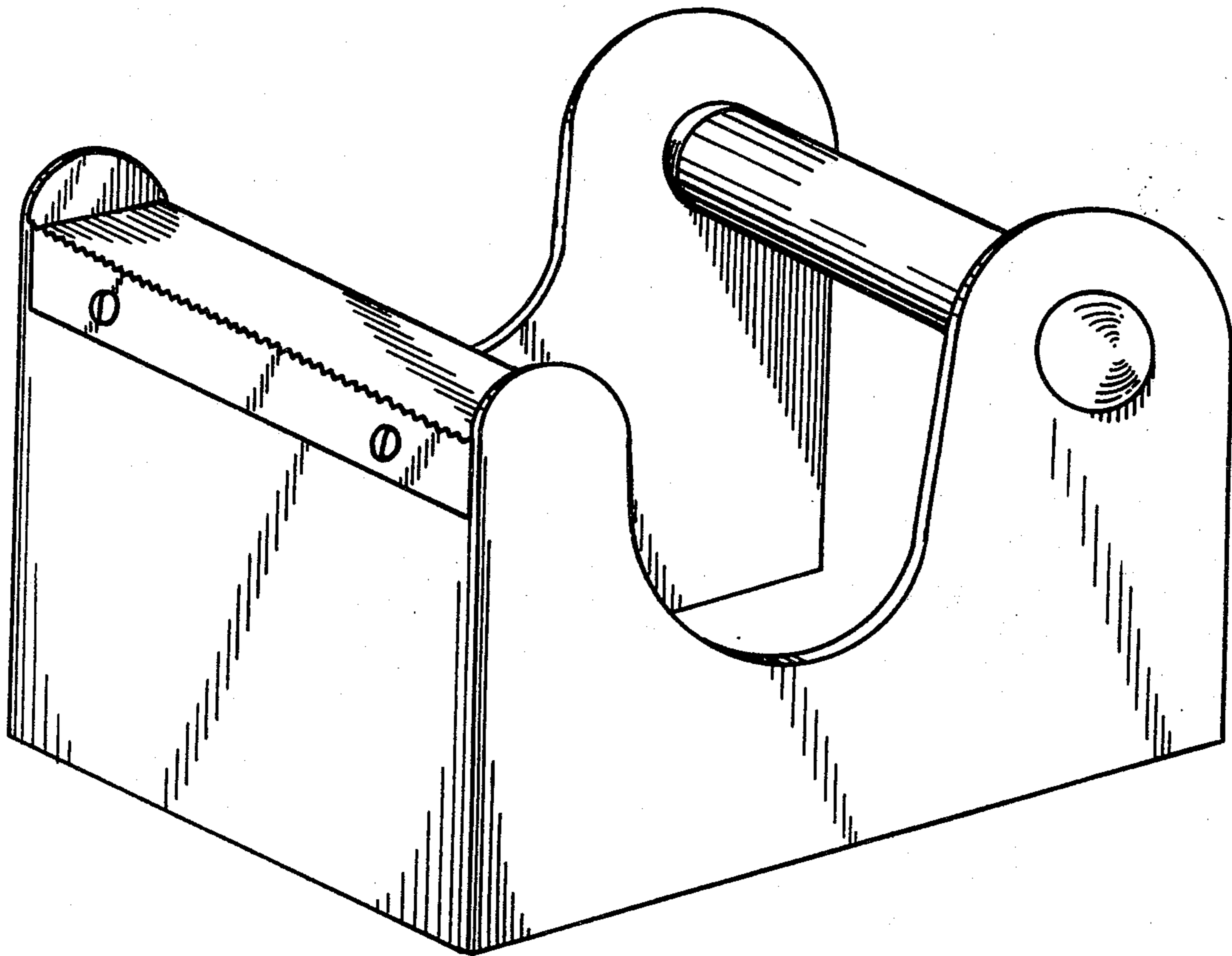


FIG. 1

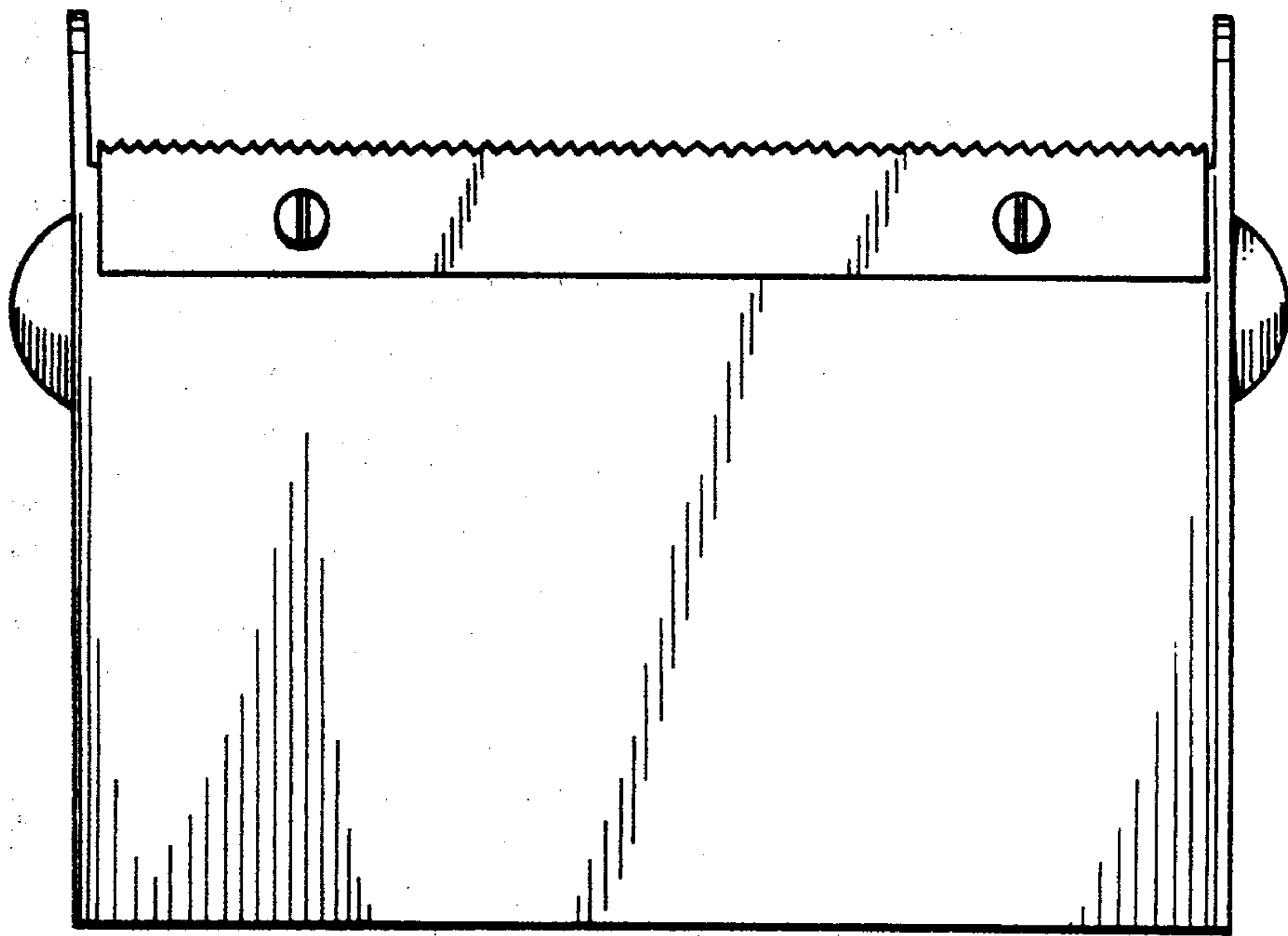


FIG. 2

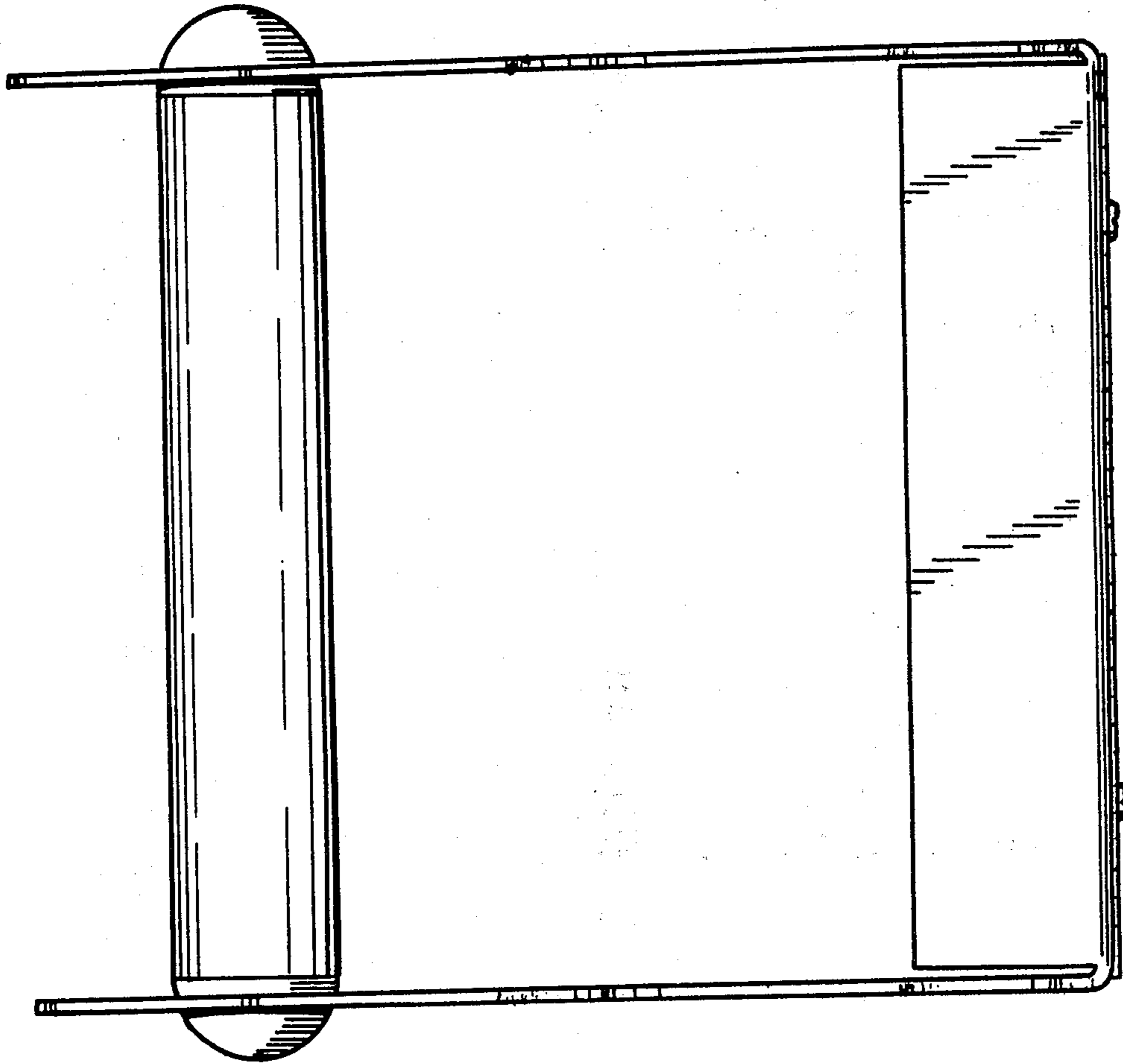


FIG. 3

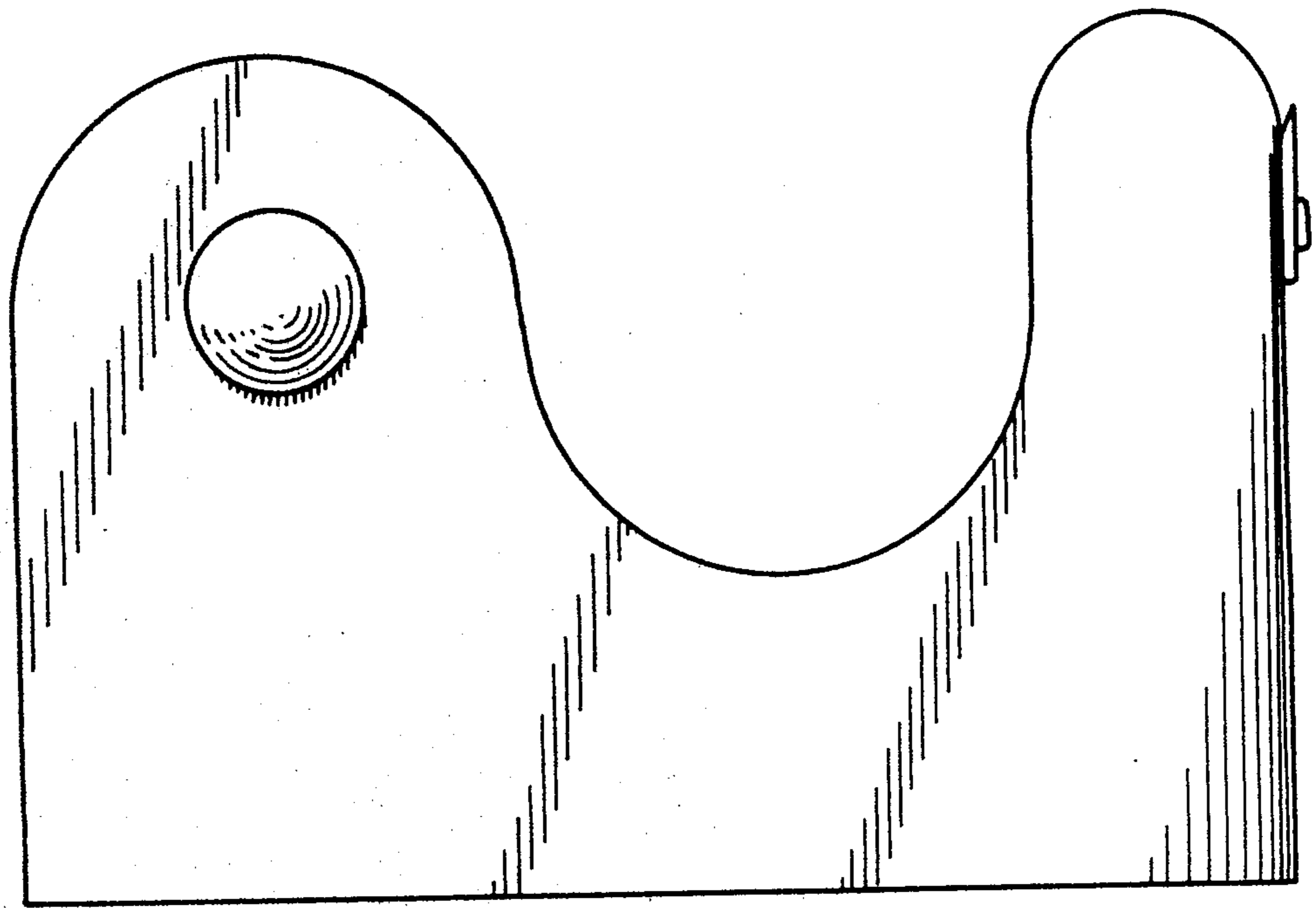


FIG. 4