

[54] PAPER GUIDE FOR PRINTER TERMINAL

[75] Inventors: Jaime E. Dorman, Holladay; Billy M. Jensen, Sandy, both of Utah

[73] Assignee: Micro Peripherals, Inc., Salt Lake City, Utah

[**] Term: 14 Years

[21] Appl. No.: 308,459

[22] Filed: Oct. 5, 1981

[52] U.S. Cl. D14/114

[58] Field of Search D14/111, 114, 100; D18/13, 22, 23, 18; 400/633, 633.1, 633.2, 642, 647, 647.1

[56] References Cited

U.S. PATENT DOCUMENTS

D. 167,463	8/1952	Johnson	D14/114
1,744,512	1/1930	Smith	400/633 X
2,047,232	7/1936	Sherman	400/647 X
3,200,929	8/1965	Burns et al.	400/633.2 X

OTHER PUBLICATIONS

Datamation, 5-1980, p. 126, Houston Instruments Plotter (bottom right).

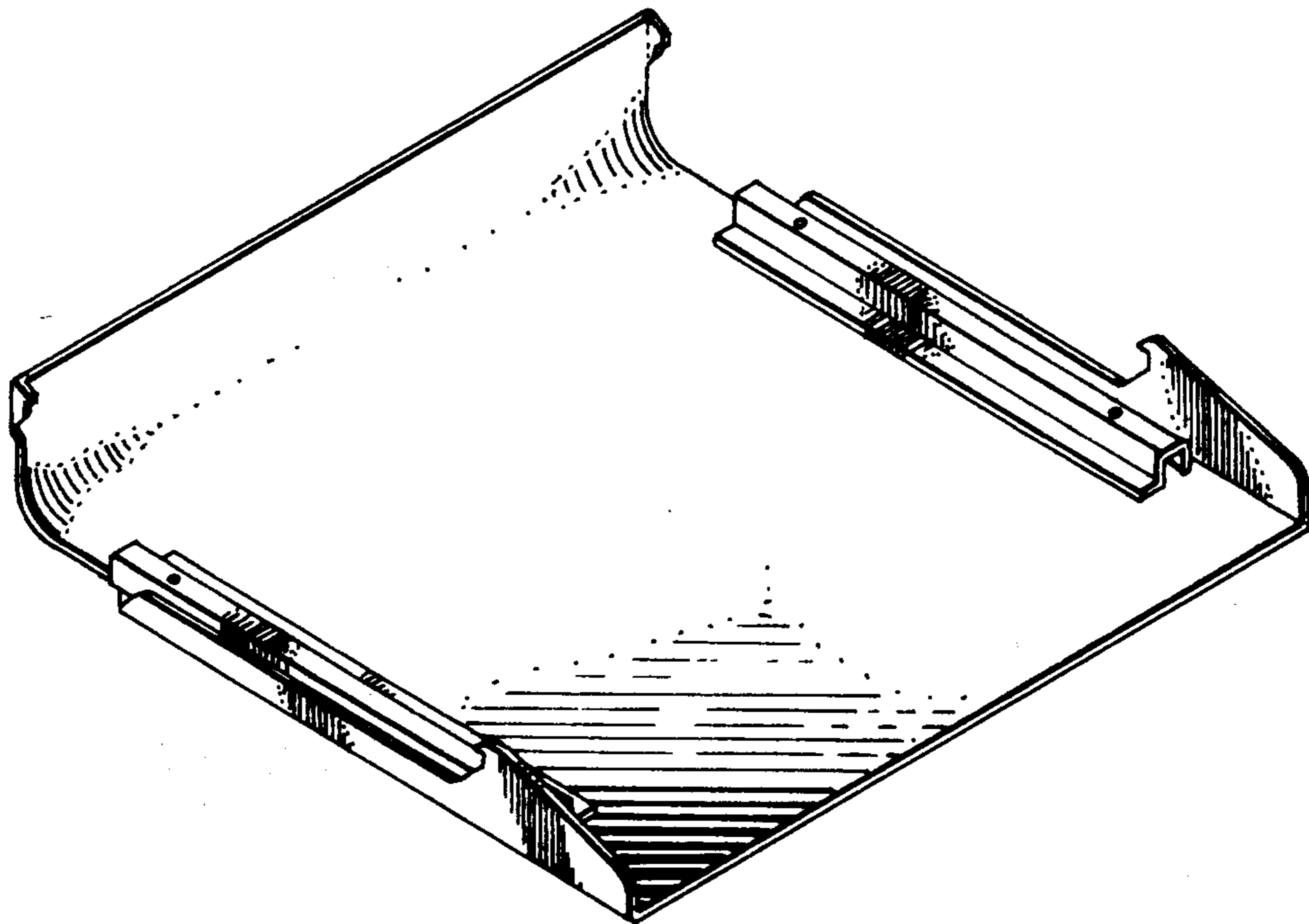
Primary Examiner—Susan J. Lucas
Attorney, Agent, or Firm—Thorpe, North & Western

[57] CLAIM

The ornamental design for a paper guide for printer terminal, substantially as shown and described.

DESCRIPTION

FIG. 1 is a perspective view of our design for a paper guide for printer terminal;
FIG. 2 is a front elevational view thereof, on a reduced scale;
FIG. 3 is a top plan view thereof, on a reduced scale;
FIG. 4 is a side elevational view thereof, on a reduced scale;
FIG. 5 is a rear elevational view thereof, on a reduced scale; and
FIG. 6 is a bottom view thereof, on a reduced scale.



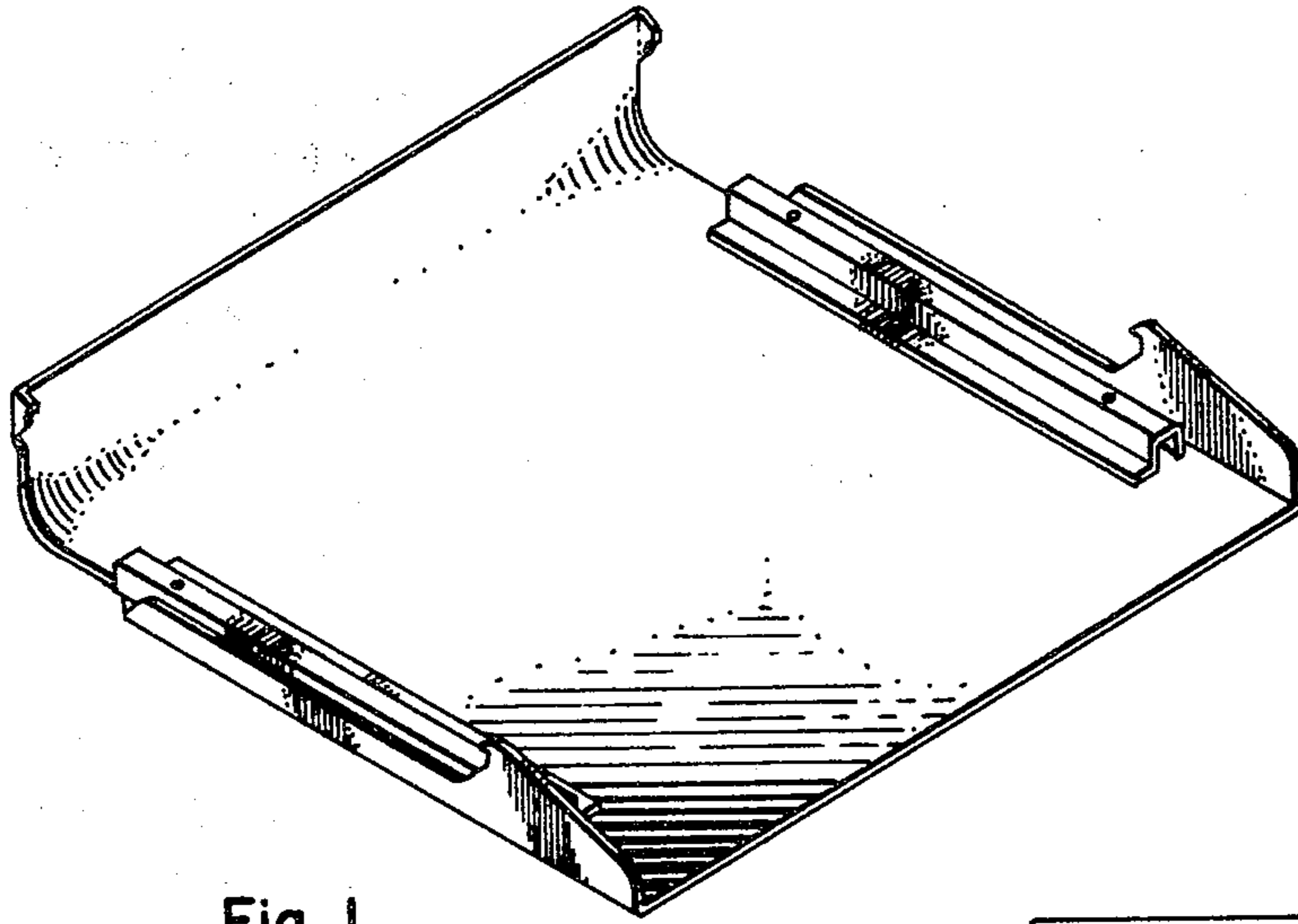


Fig. 1



Fig. 4

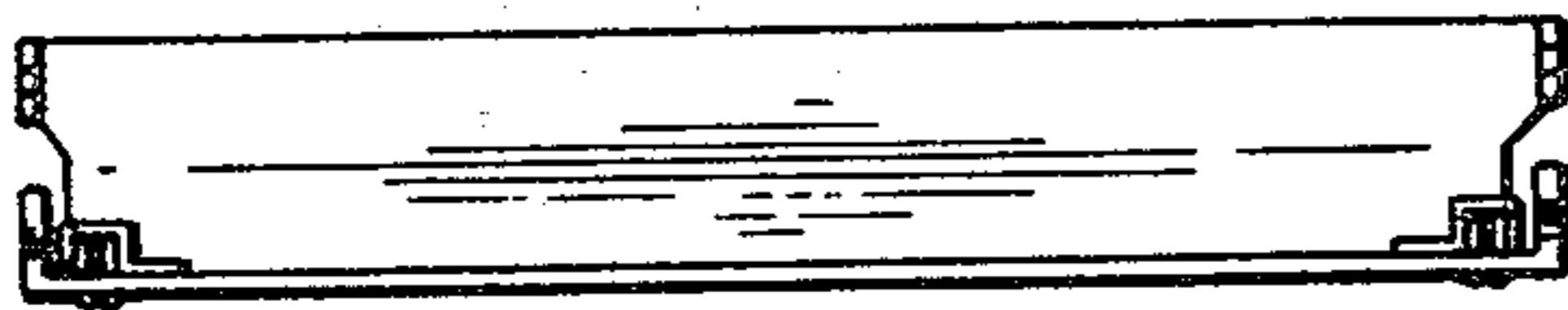


Fig. 2

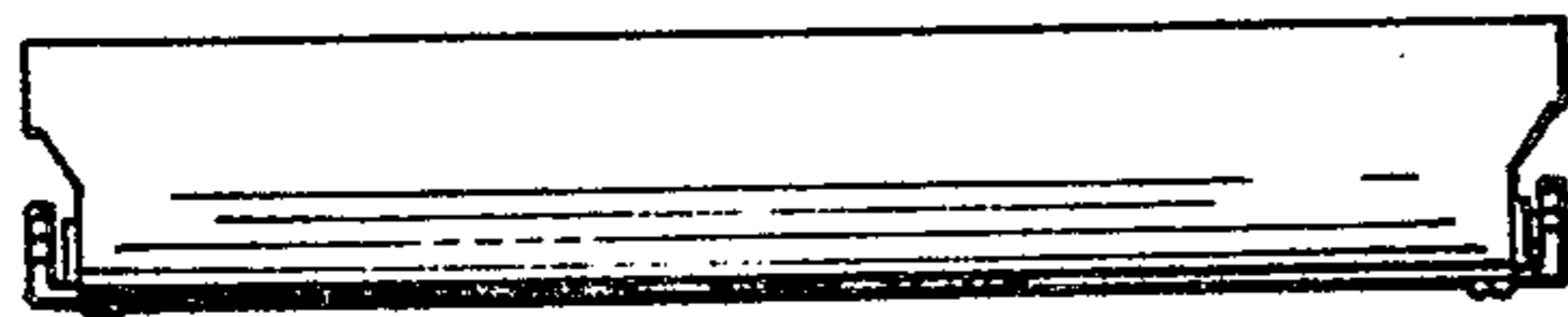


Fig. 5

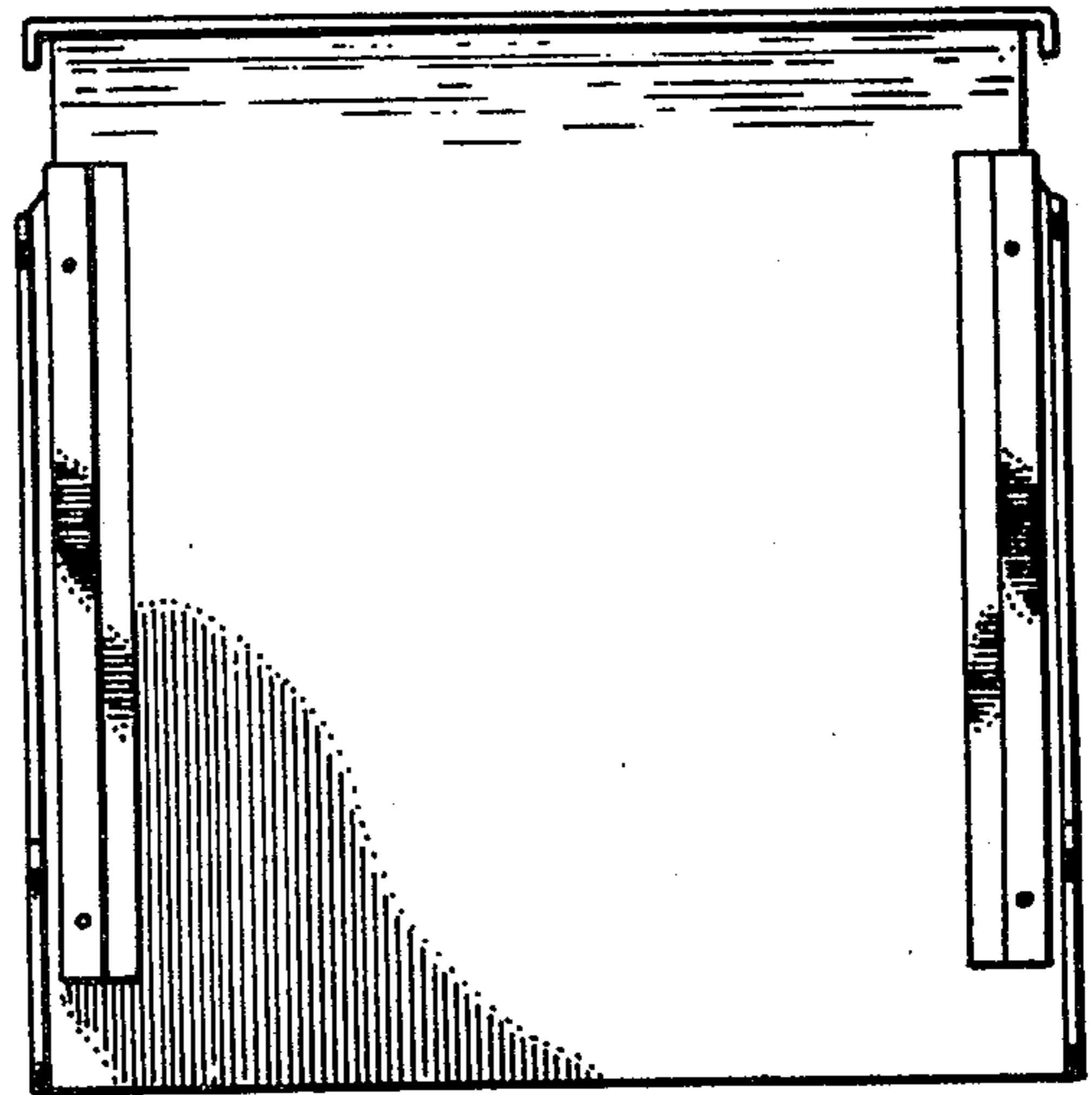


Fig. 3

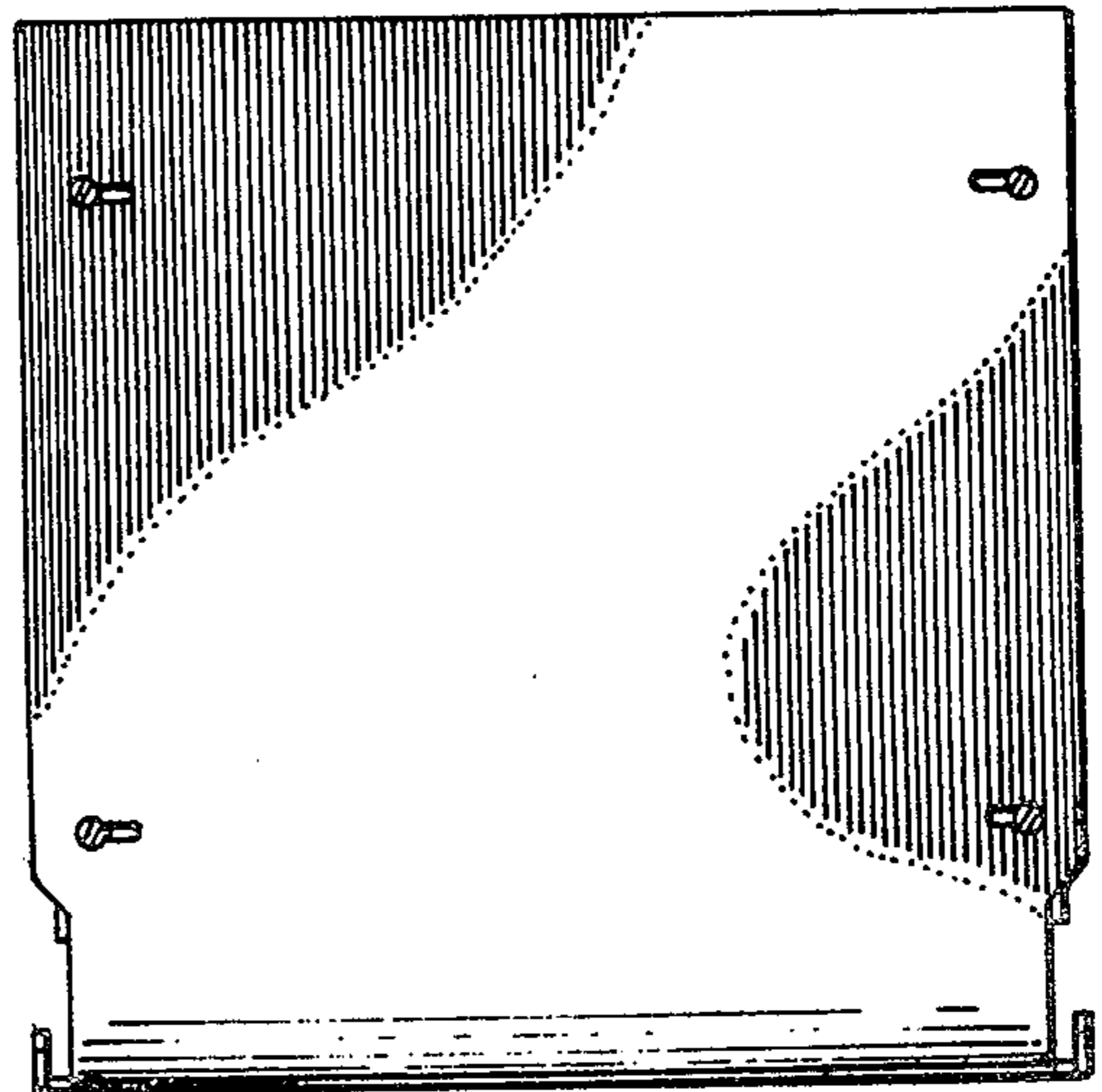


Fig. 6