

[54] BASE UNIT FOR A DATA TERMINAL

[75] Inventors: Terence T. Caven, Beeston; Ronald Ellis, Carlton, both of England

[73] Assignee: Plessey Overseas Limited, Ilford, England

[**] Term: 14 Years

[21] Appl. No.: 301,967

[22] Filed: Sep. 14, 1981

[30] Foreign Application Priority Data

Mar. 14, 1981 [GB] United Kingdom 999434
[52] U.S. Cl. D14/102; D13/40
[58] Field of Search 361/331, 332, 334, 350, 361/379-384, 390; 175/52 R; D14/100-117; D13/40, 41

[56]

References Cited

U.S. PATENT DOCUMENTS

D. 158,768 5/1950 Kress D14/102
D. 243,959 4/1977 Clayton et al. D14/109

Primary Examiner—Susan J. Lucas
Attorney, Agent, or Firm—Fleit, Jacobson, Cohn & Price

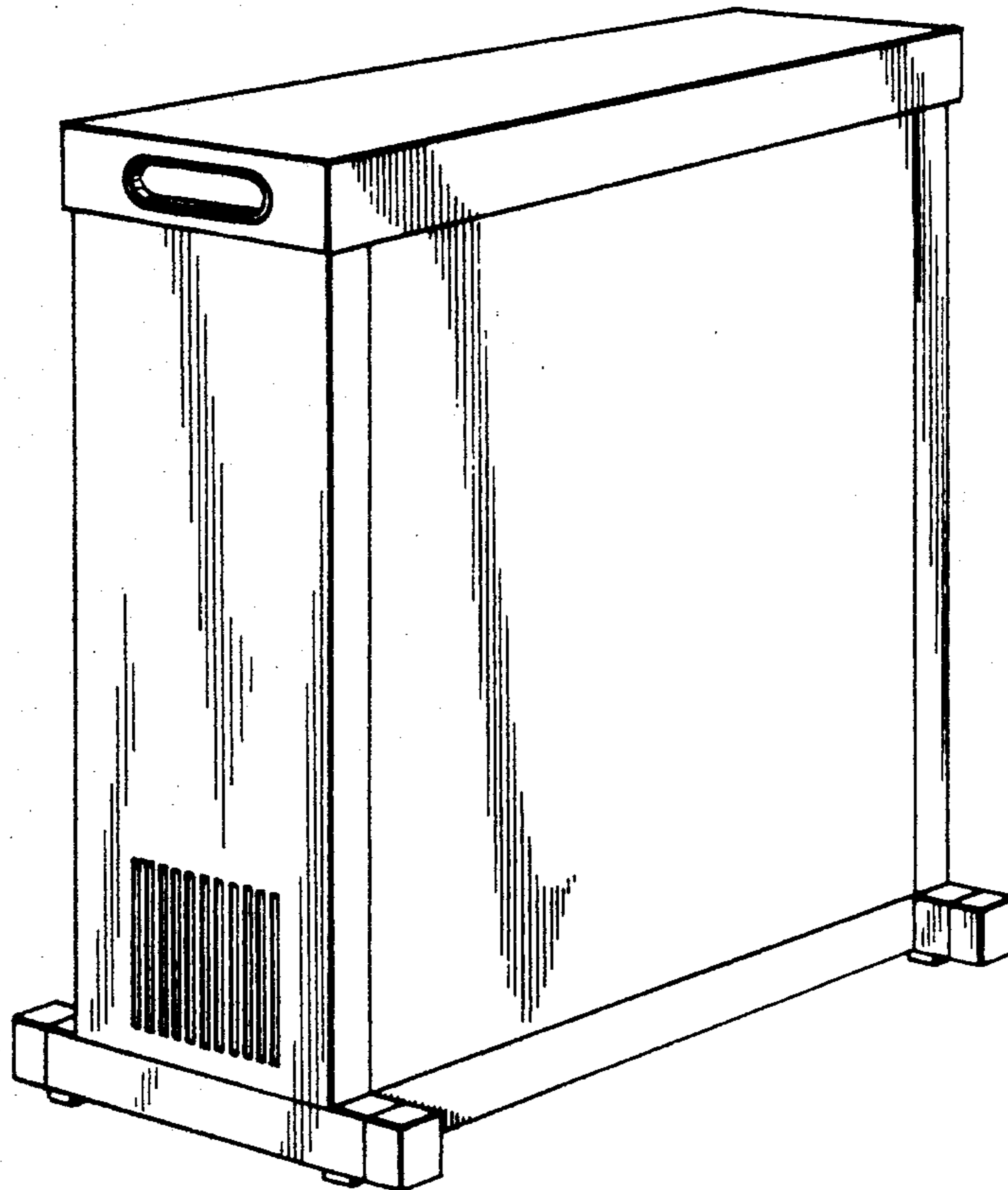
[57]

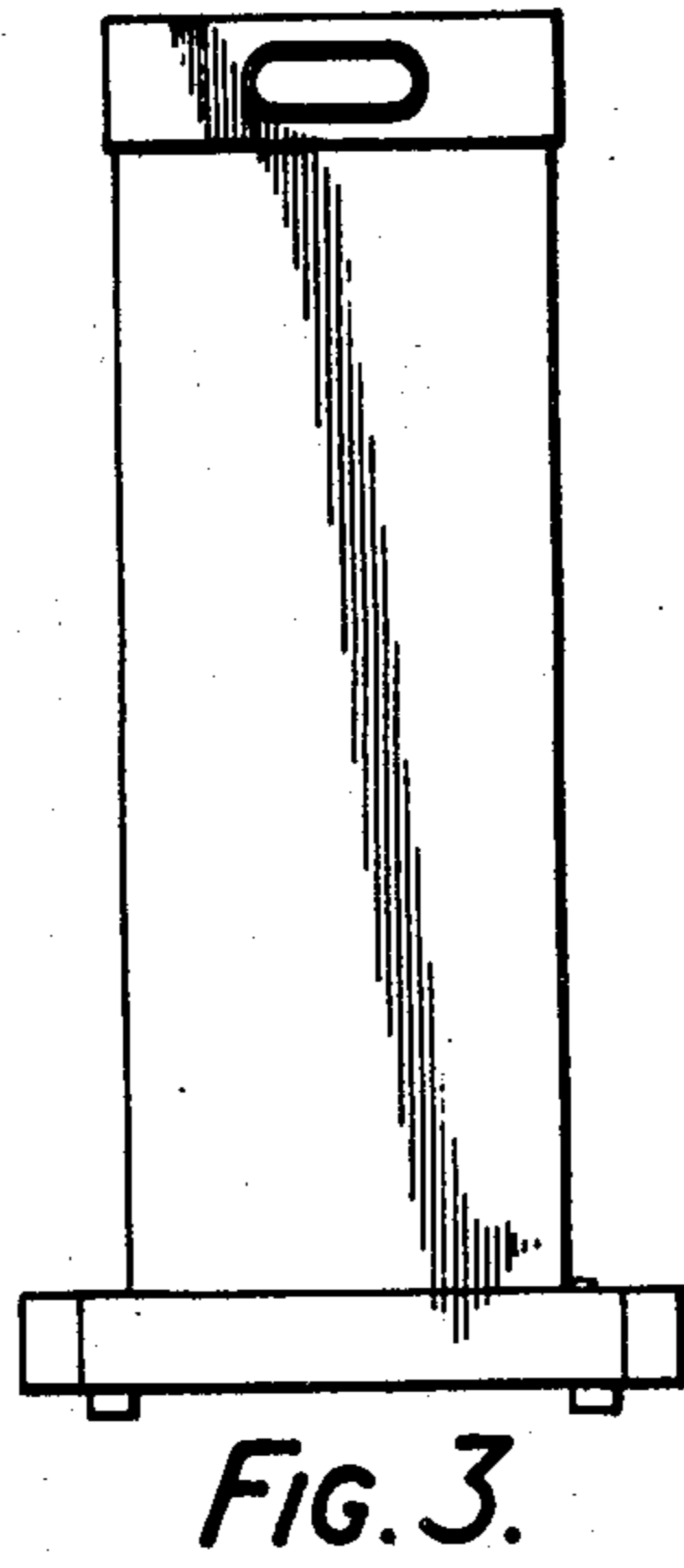
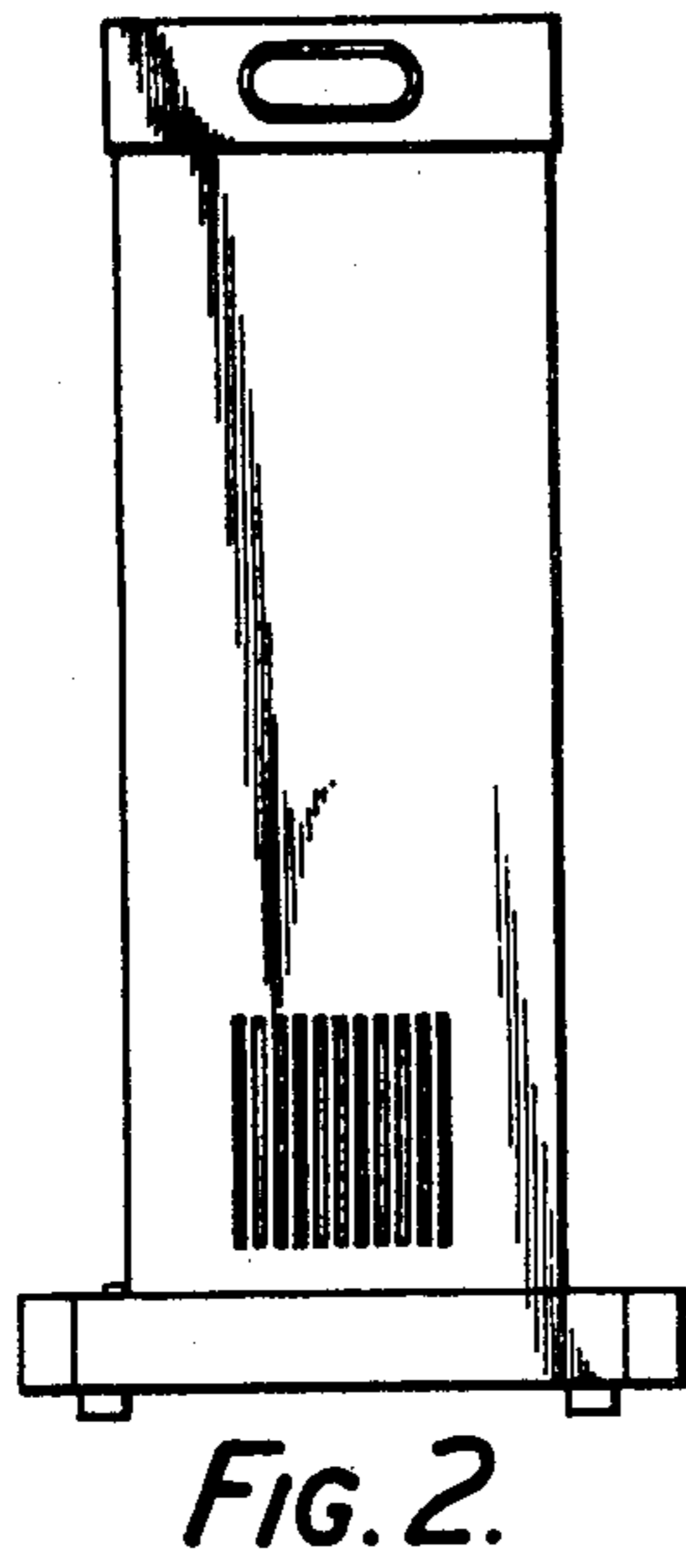
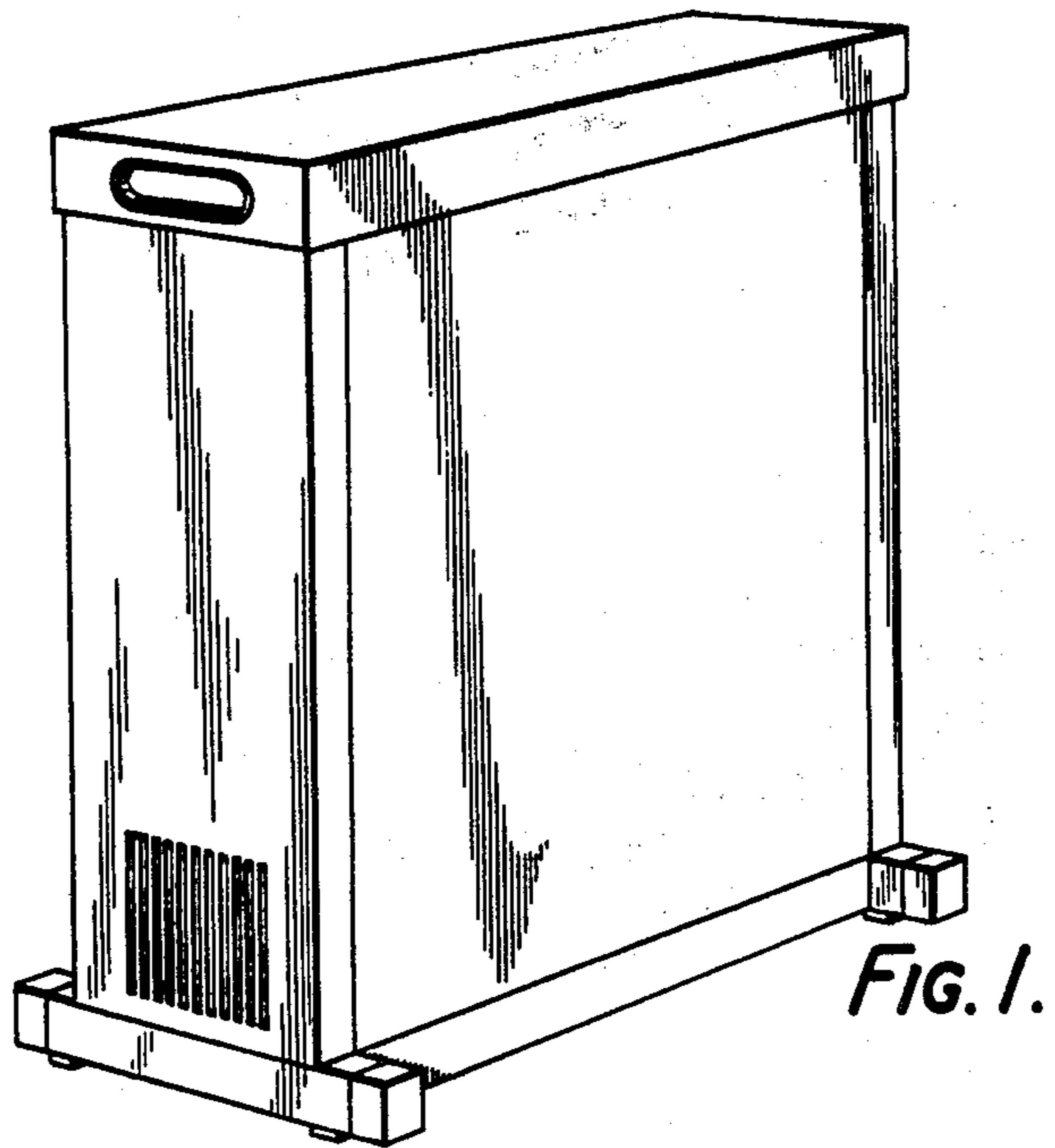
CLAIM

The ornamental design for a base unit for a data terminal, substantially as shown and described.

DESCRIPTION

FIG. 1 is a perspective view of a base unit for data terminal showing our new design;
FIG. 2 is an elevational view of the side shown in FIG. 1;
FIG. 3 is an elevational view of the opposite side thereof;
FIG. 4 is a rear elevational view thereof;
FIG. 5 is a front elevational view thereof.





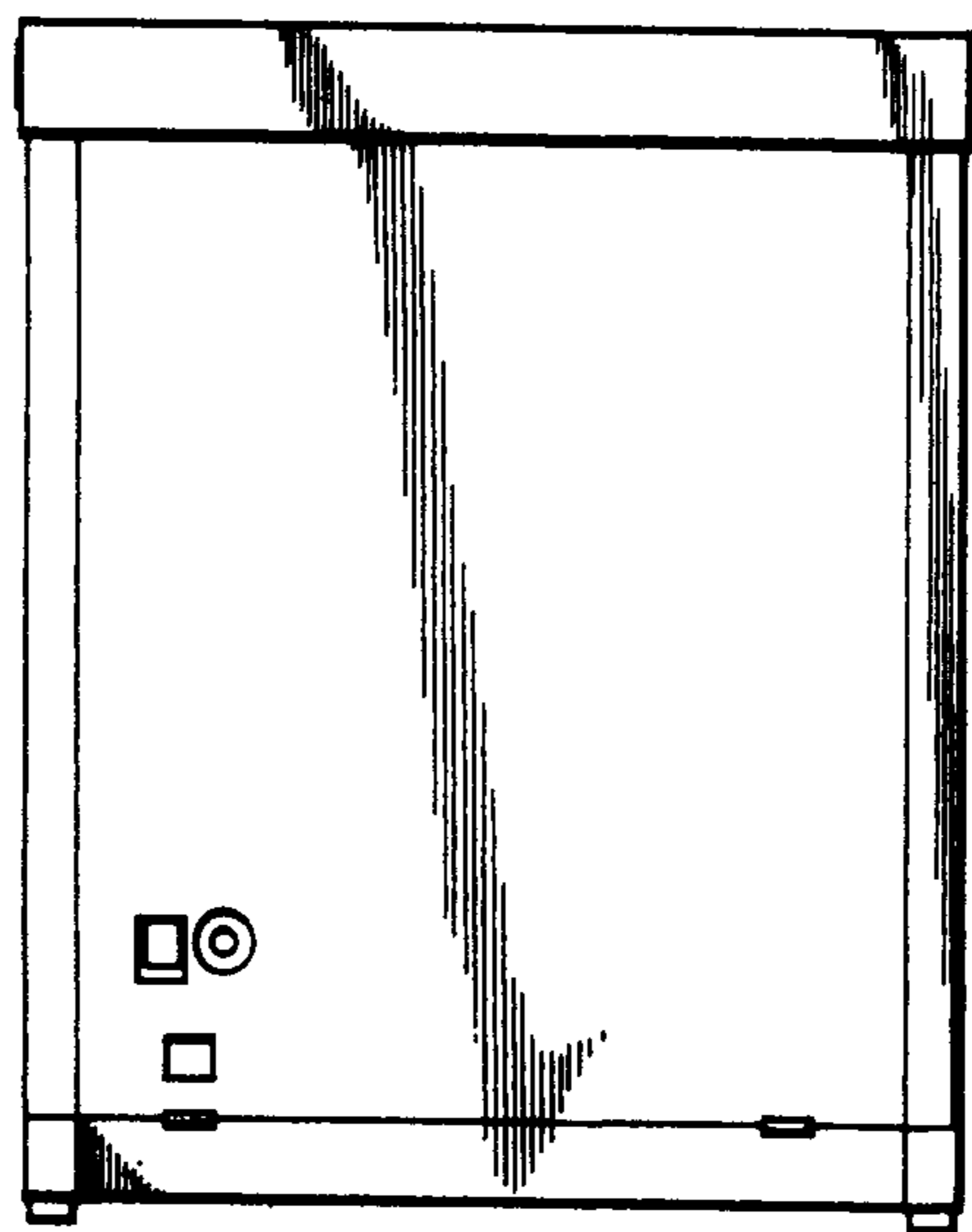


FIG. 4.

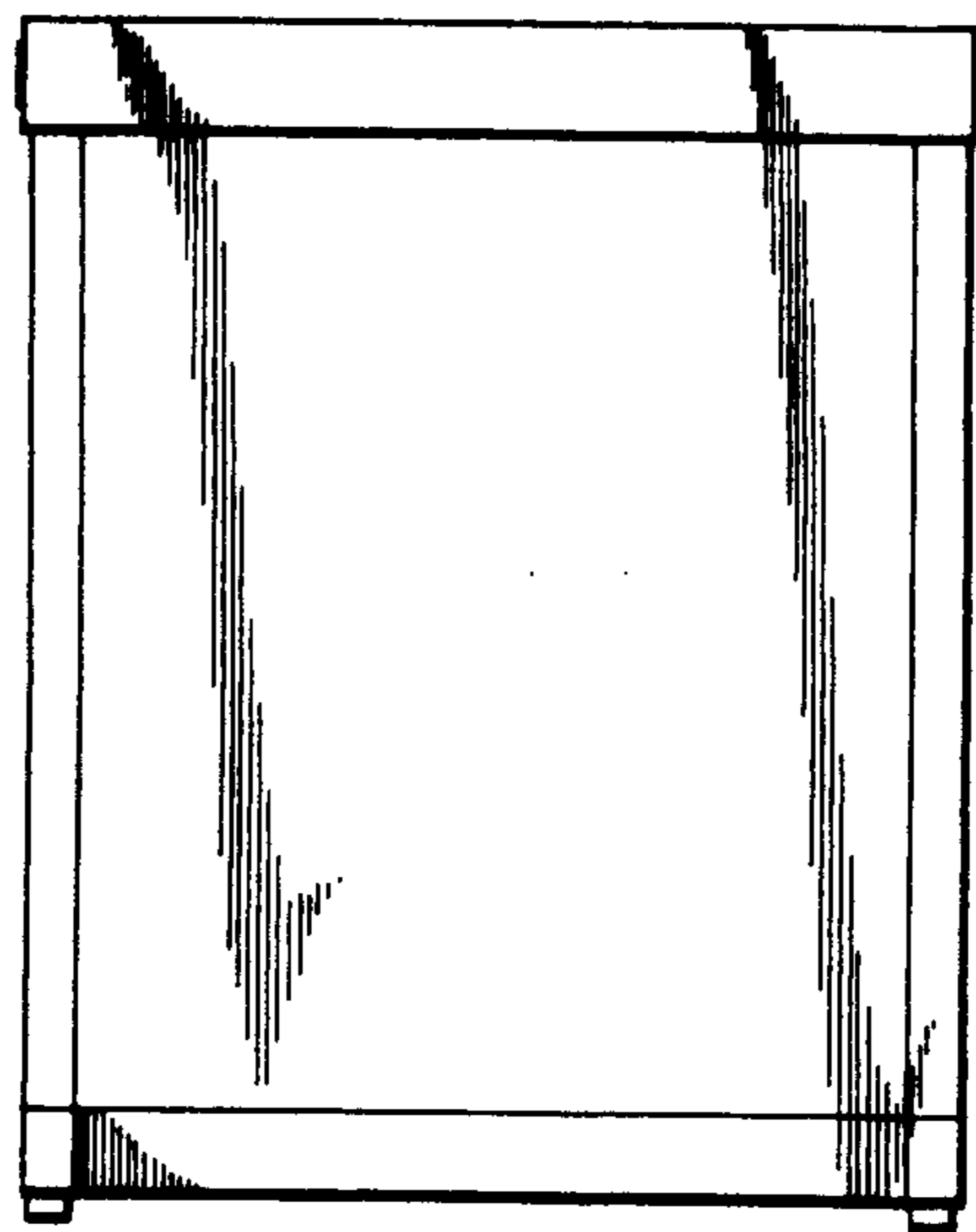


FIG. 5.