

[54] ATHLETIC WHEEL CHAIR FRAME

2,485,016 10/1949 Rideout 297/DIG. 4
2,587,068 2/1952 Sanders 297/DIG. 4
4,351,540 9/1982 Minnebraker 297/DIG. 4

[76] Inventor: Carl L. Leach, 4175 Baldwin,
Pontiac, Mich. 48056

Primary Examiner—James M. Gandy
Attorney, Agent, or Firm—Harry R. Dumont

[**] Term: 14 Years

[57] CLAIM

[21] Appl. No.: 271,544

The ornamental design for an athletic wheel chair frame, as shown.

[22] Filed: Jun. 8, 1981

[52] U.S. Cl. D12/131

[58] Field of Search D12/131; 280/242 WC;
297/DIG. 4

DESCRIPTION

[56] References Cited

U.S. PATENT DOCUMENTS

2,402,085 6/1946 Rideout 297/DIG. 4

FIG. 1 is a front perspective view of an athletic wheel chair frame showing my new design;
FIG. 2 is a right side elevational view thereof;
FIG. 3 is a top plan view thereof;
FIG. 4 is a bottom plan view thereof; and
FIG. 5 is a front elevational view thereof.

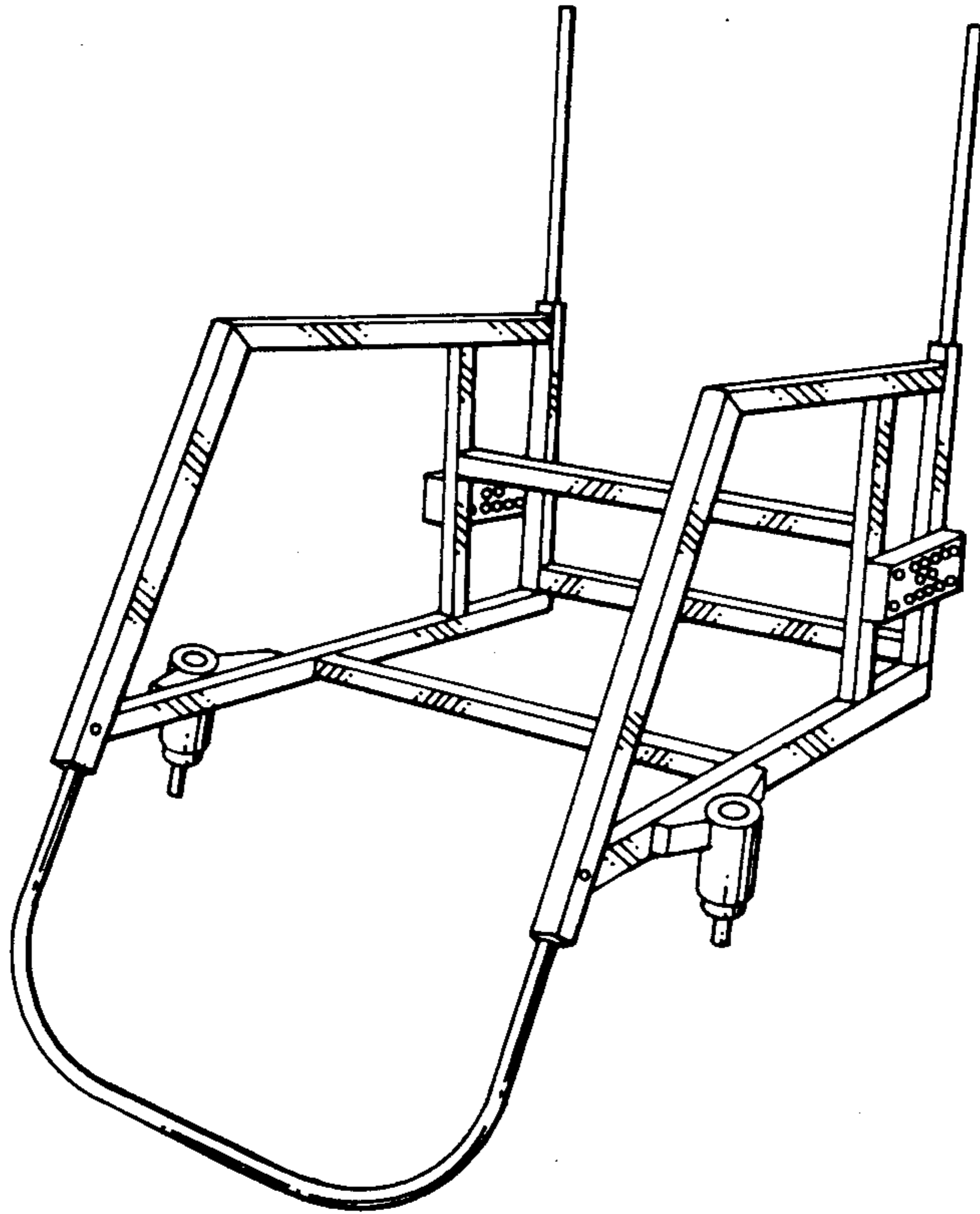


Fig. 1

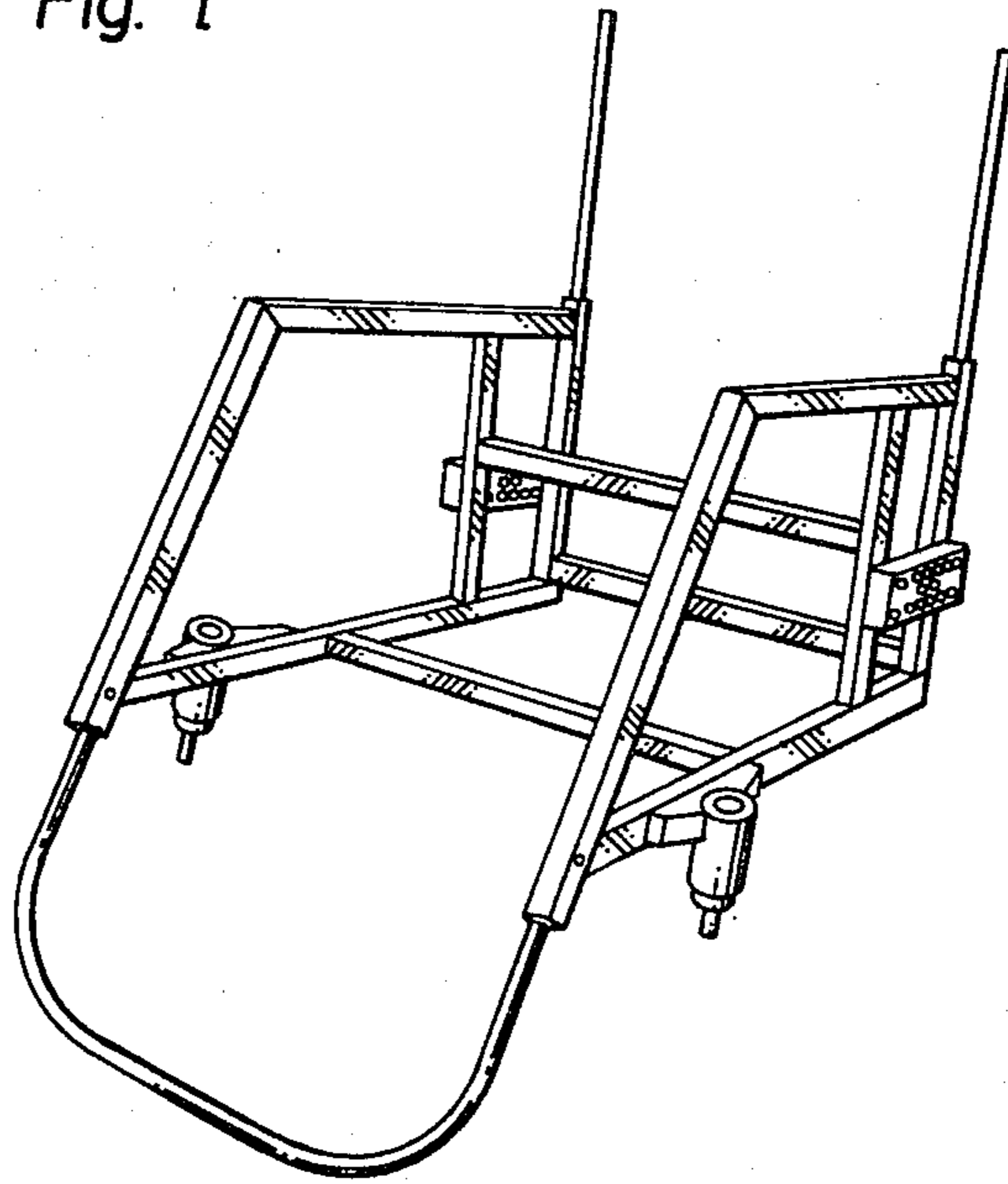
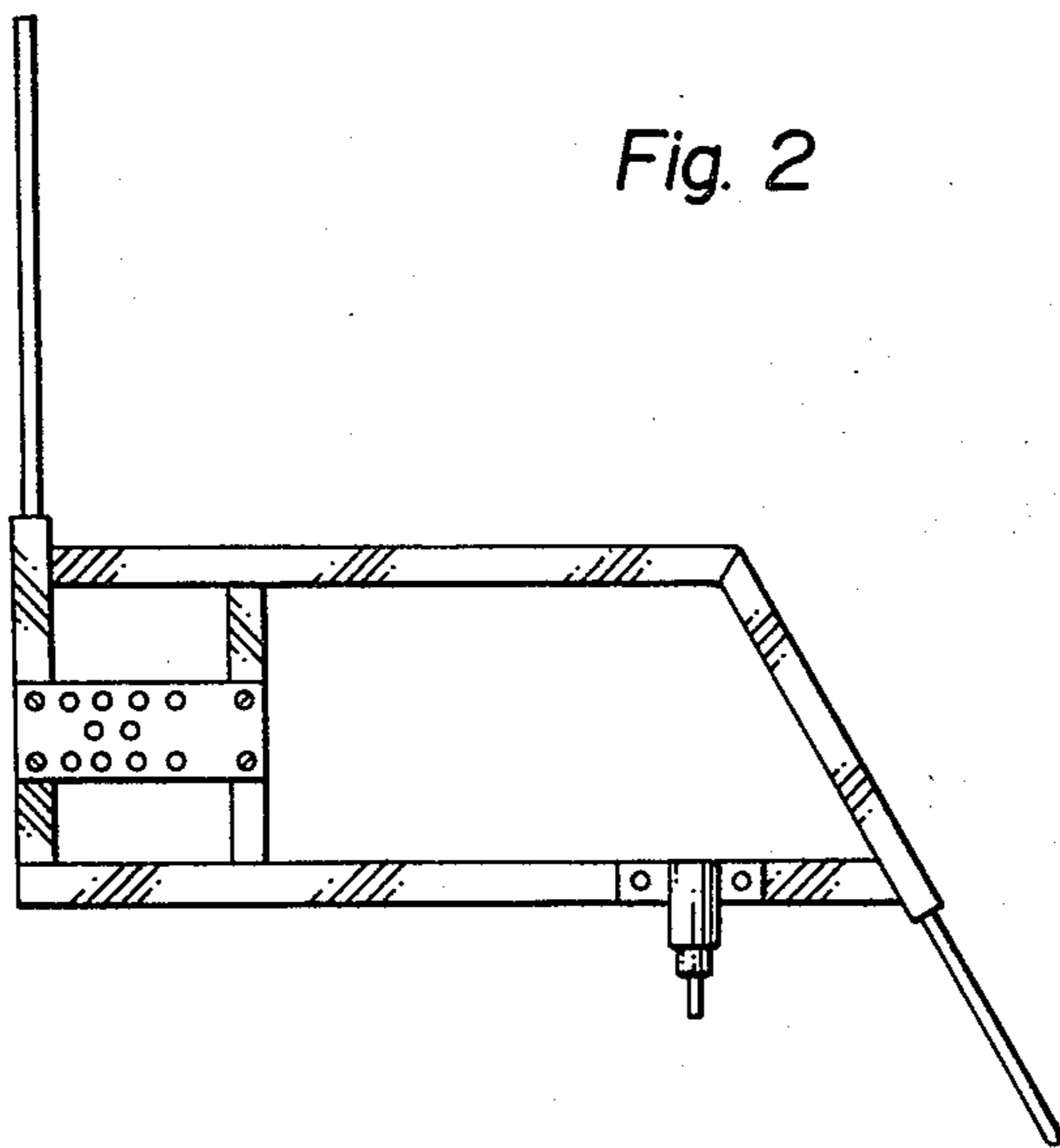


Fig. 2



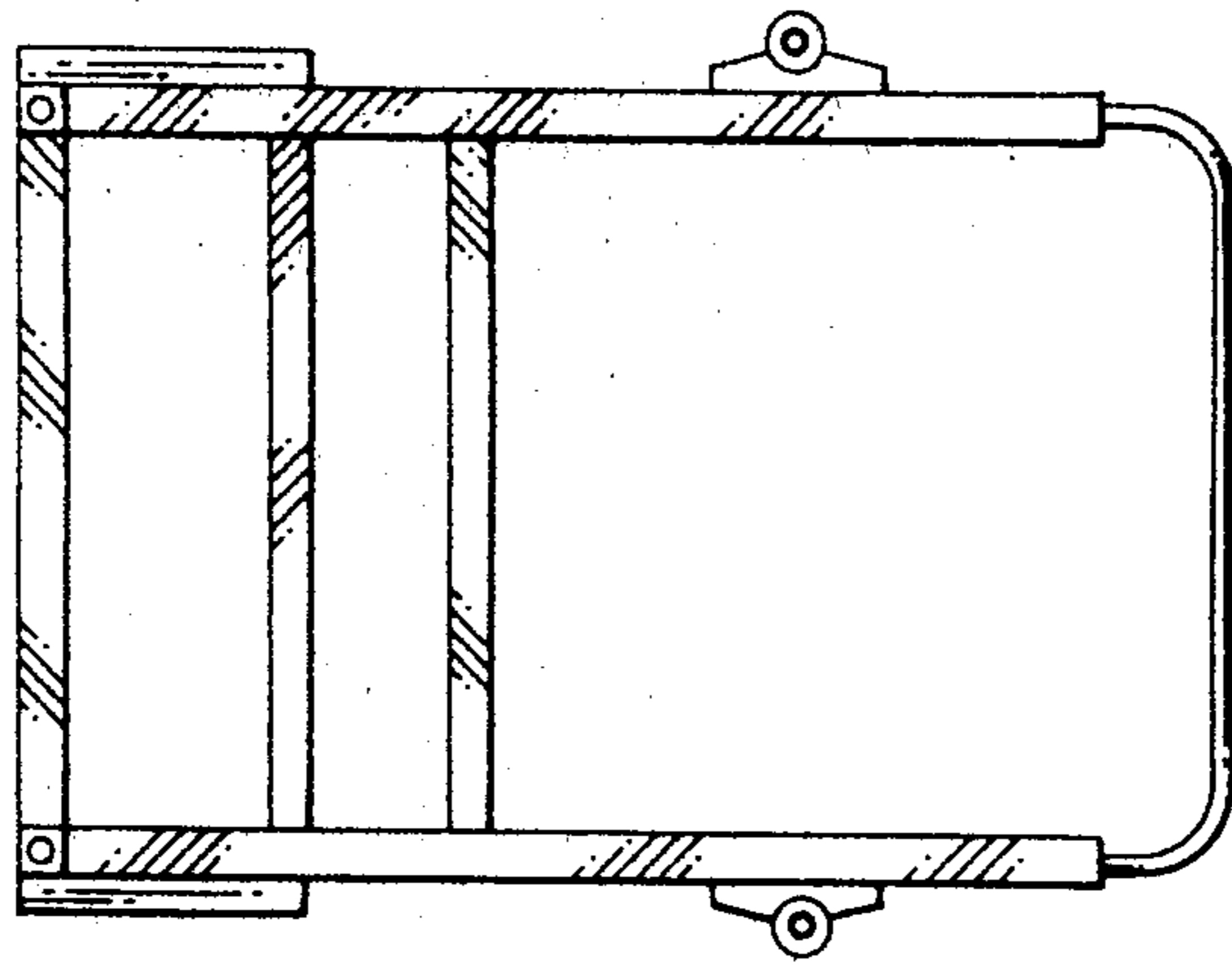


Fig. 3

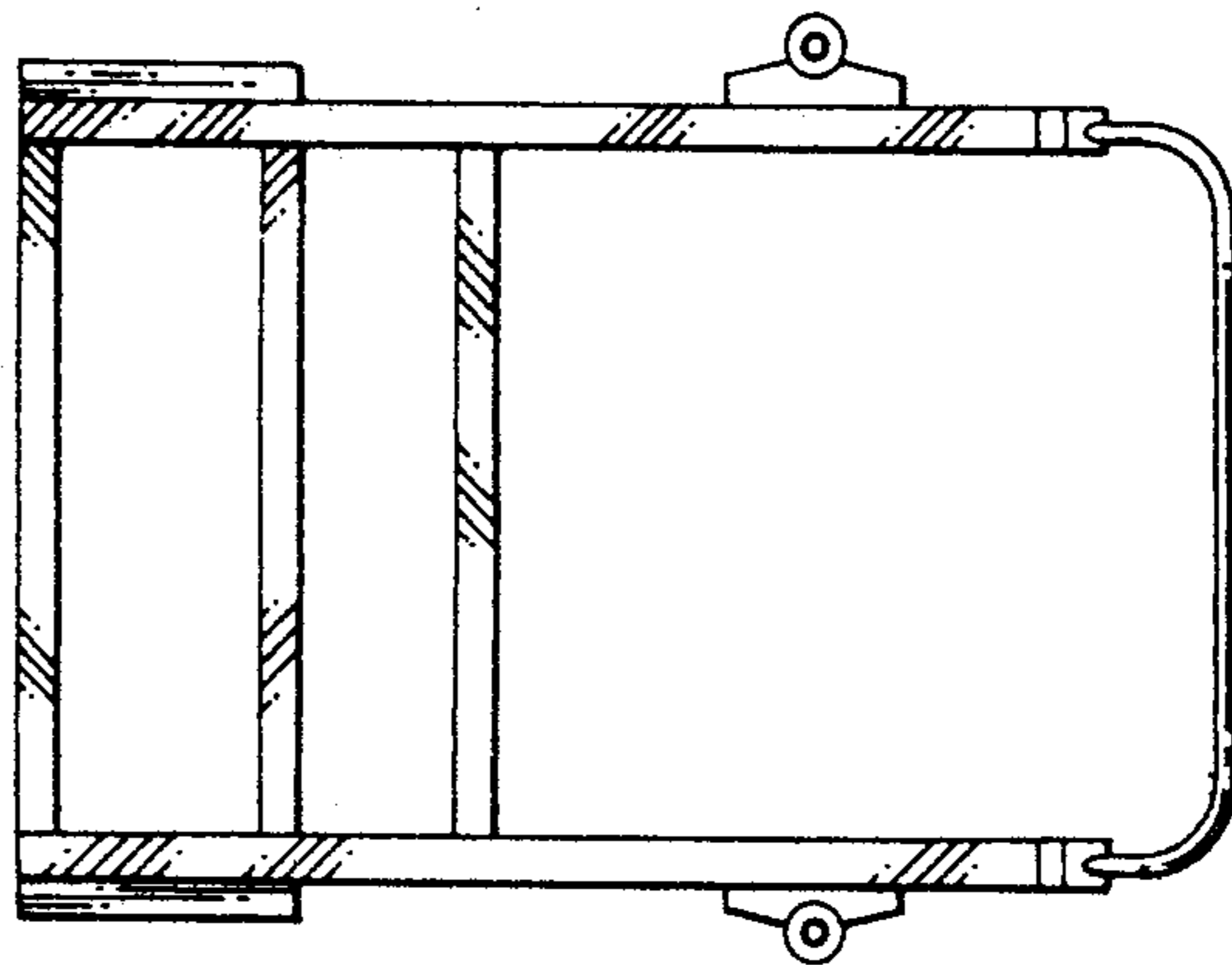


Fig. 4

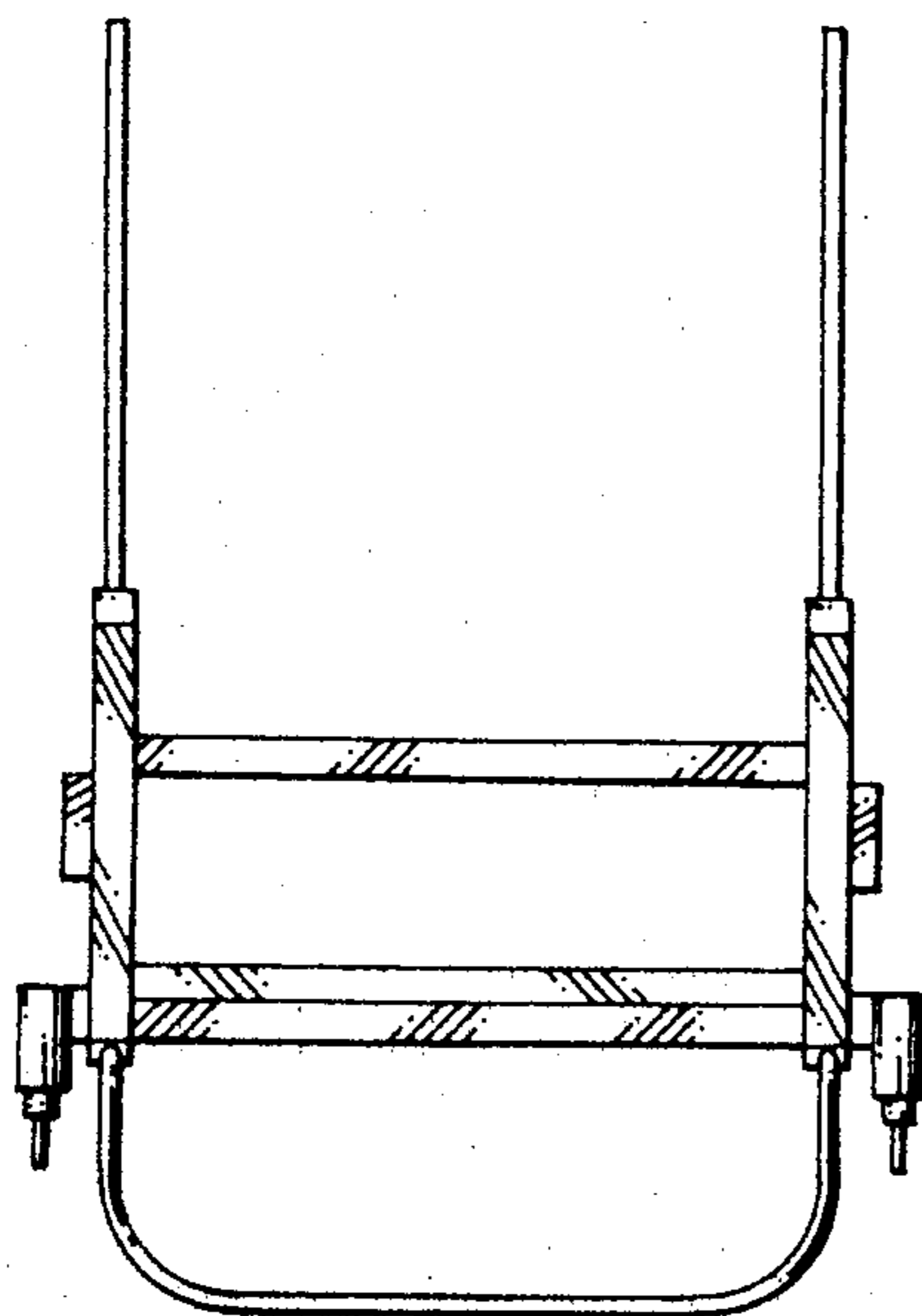


Fig. 5