

[54] ELECTRIC CLOCK MOVEMENT

[75] Inventors: Jürgen Berges; Wolfgang Fehrenbacher, both of St. Georgen; Günter Neininger, VS-Villingen Schwenningen; Erich Scheer, St. Georgen, all of Fed. Rep. of Germany

[73] Assignee: Kieninger & Obergfell, St. Georgen im Schwarzwald, Fed. Rep. of Germany

[**] Term: 14 Years

[21] Appl. No.: 364,657

[22] Filed: Apr. 2, 1982

[30] Foreign Application Priority Data

Oct. 6, 1981 [DE] Fed. Rep. of Germany ... 8129149[U]
[52] U.S. Cl. D10/129

[58] Field of Search D10/1, 2, 16, 19, 122-130; 368/155, 276-278, 280-282, 285, 318

[56] References Cited

U.S. PATENT DOCUMENTS

D. 208,927 10/1967 Thomas D10/16 X
D. 219,272 11/1970 Schipper D10/1 X

Primary Examiner—Louis S. Zarfaz
Attorney, Agent, or Firm—Karl F. Ross

[57] CLAIM

The ornamental design for an electric clock movement, as shown and described.

DESCRIPTION

FIG. 1 is a front elevational view of an electric clock movement showing our new design, the broken line depiction of a case being illustrative of environment only;

FIG. 2 is a left side elevational view thereof;

FIG. 3 is a right side elevational view thereof; and

FIG. 4 is a rear elevational view thereof.

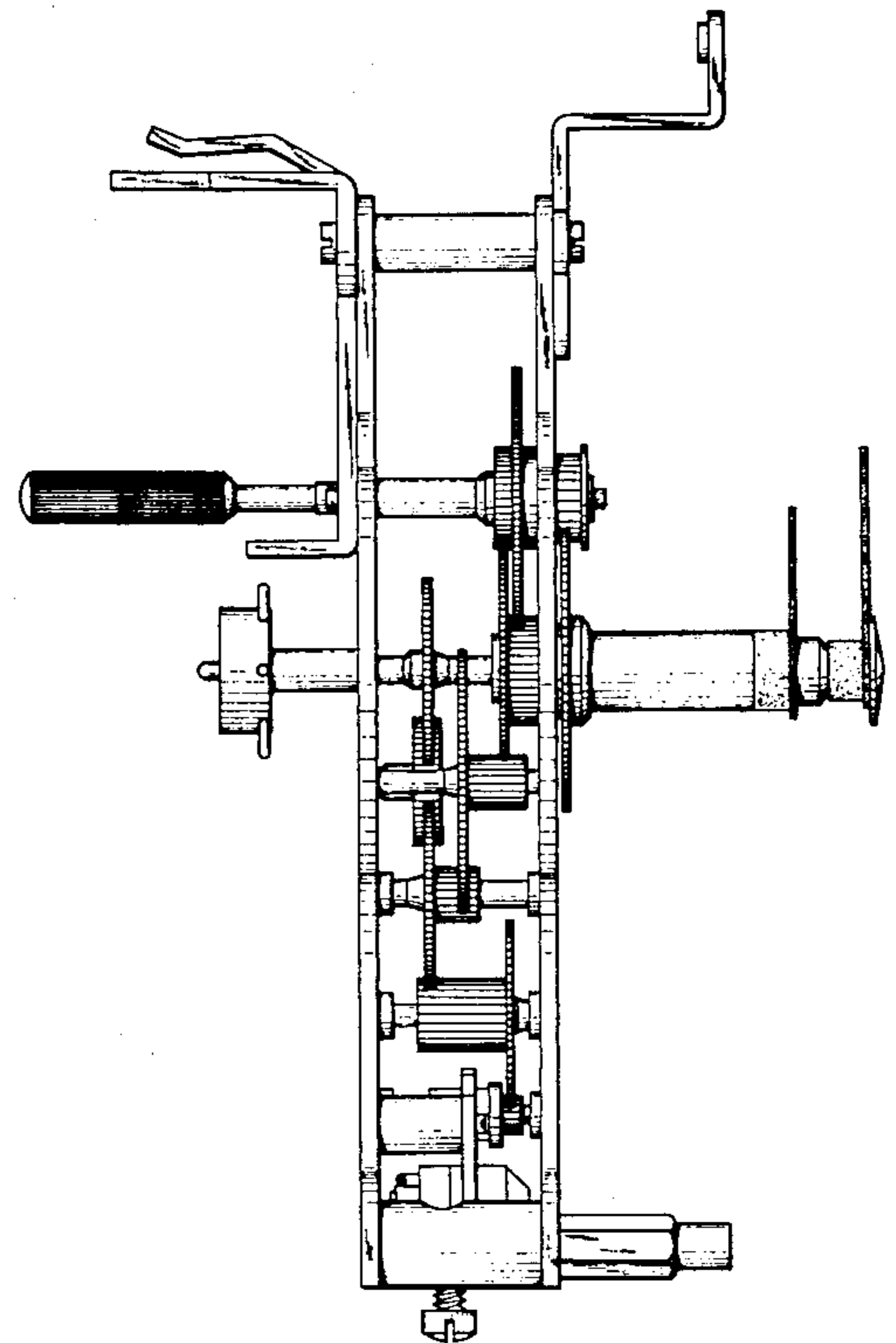
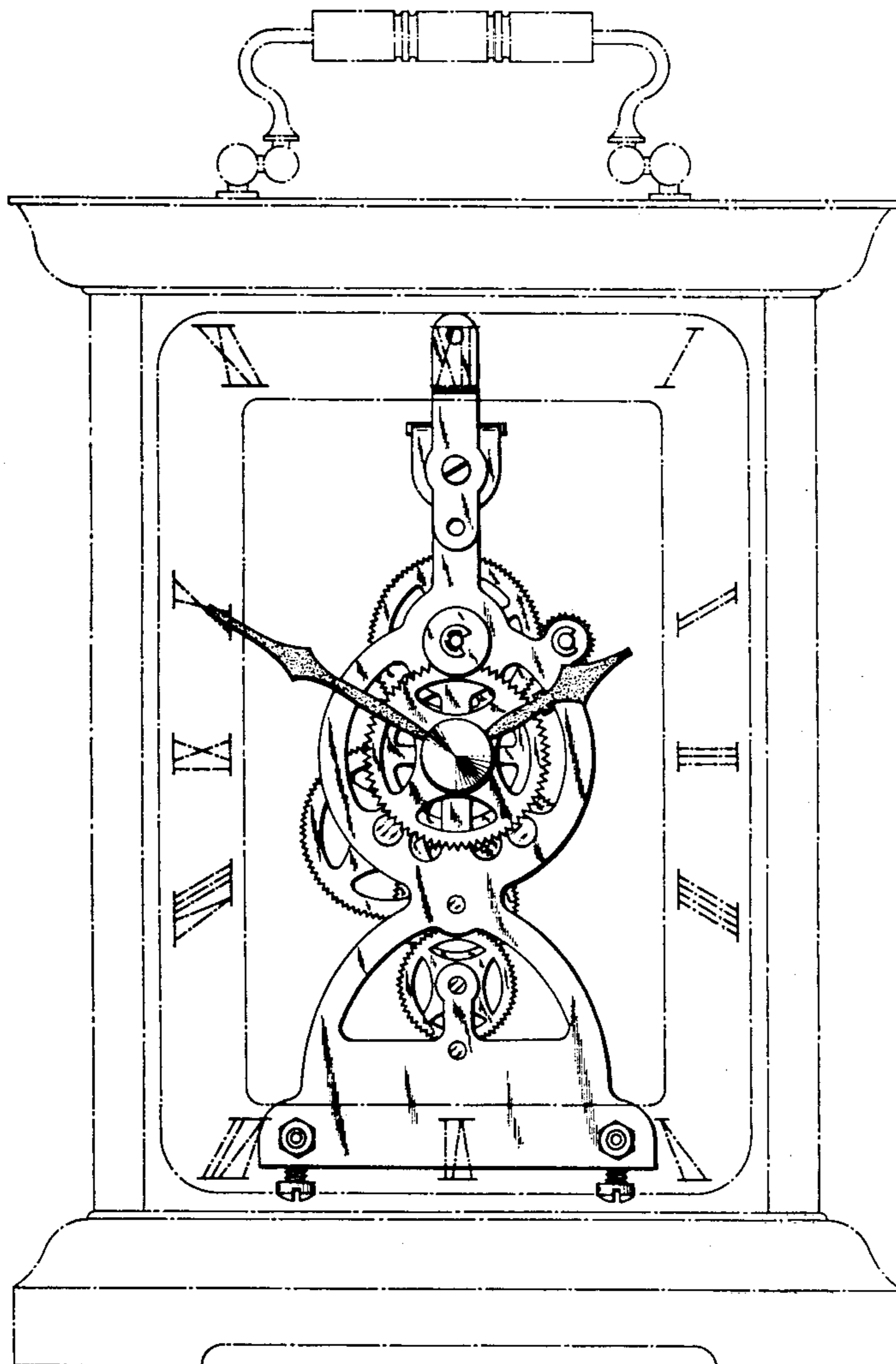
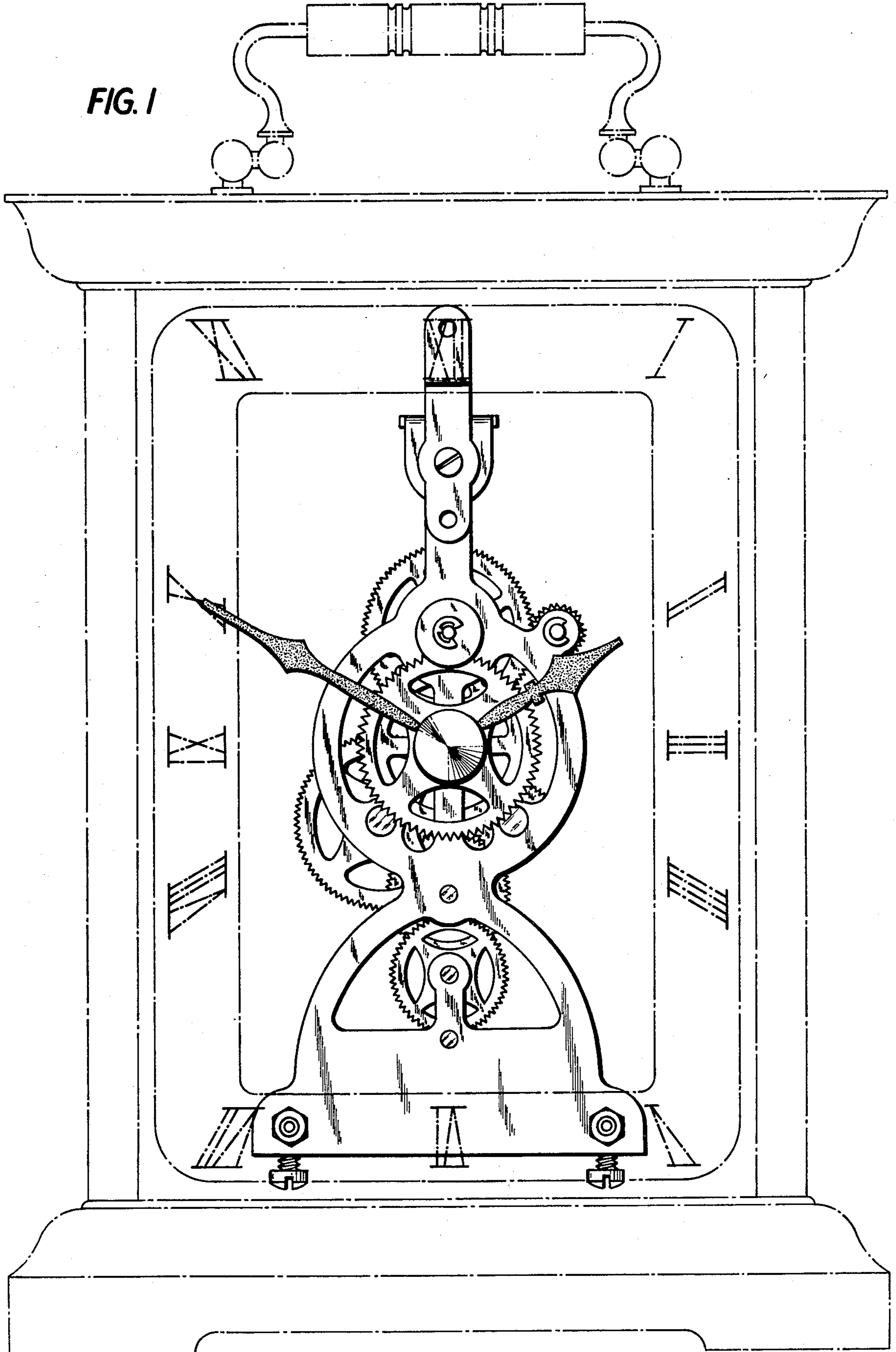


FIG. 1



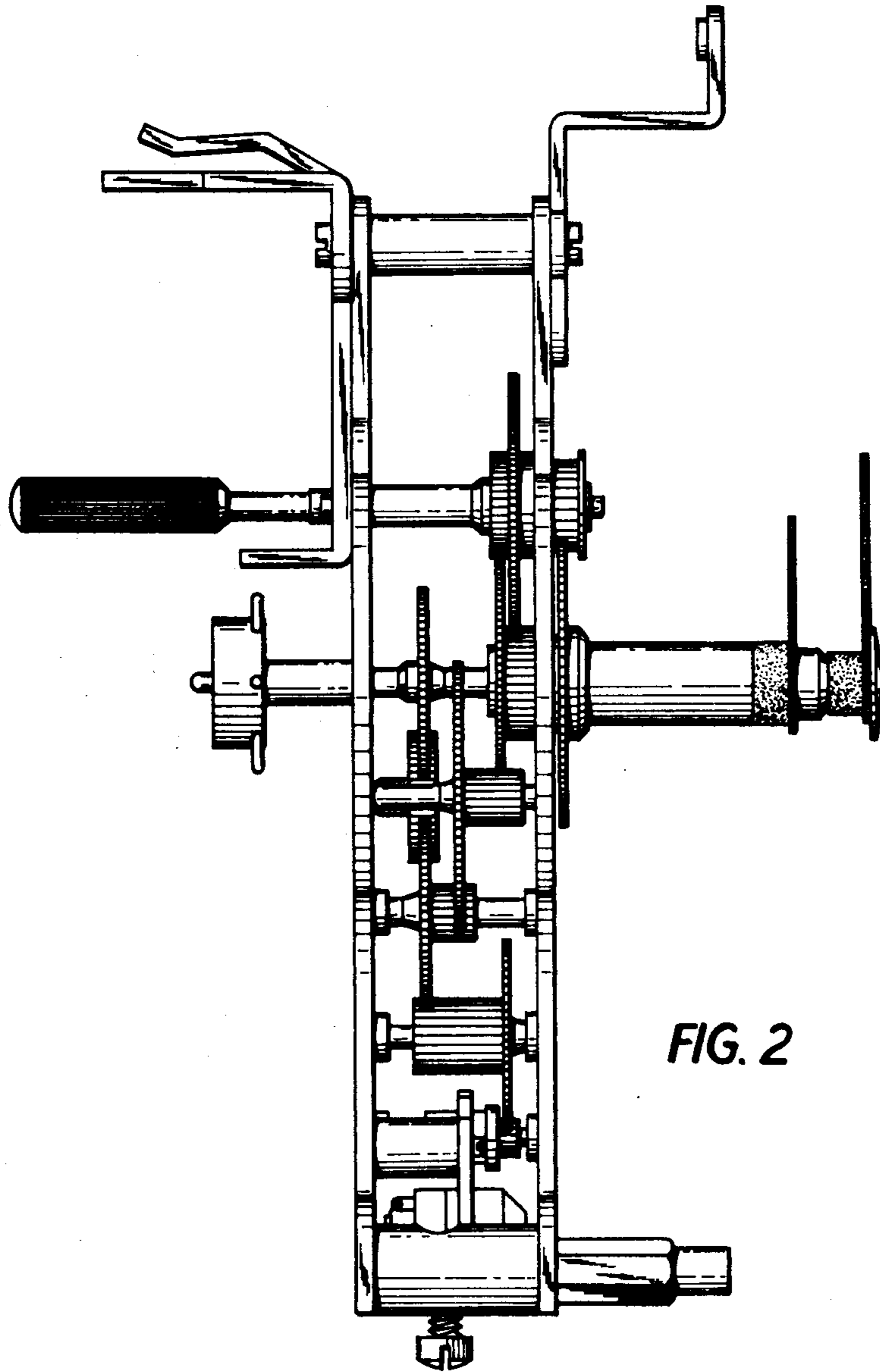


FIG. 2

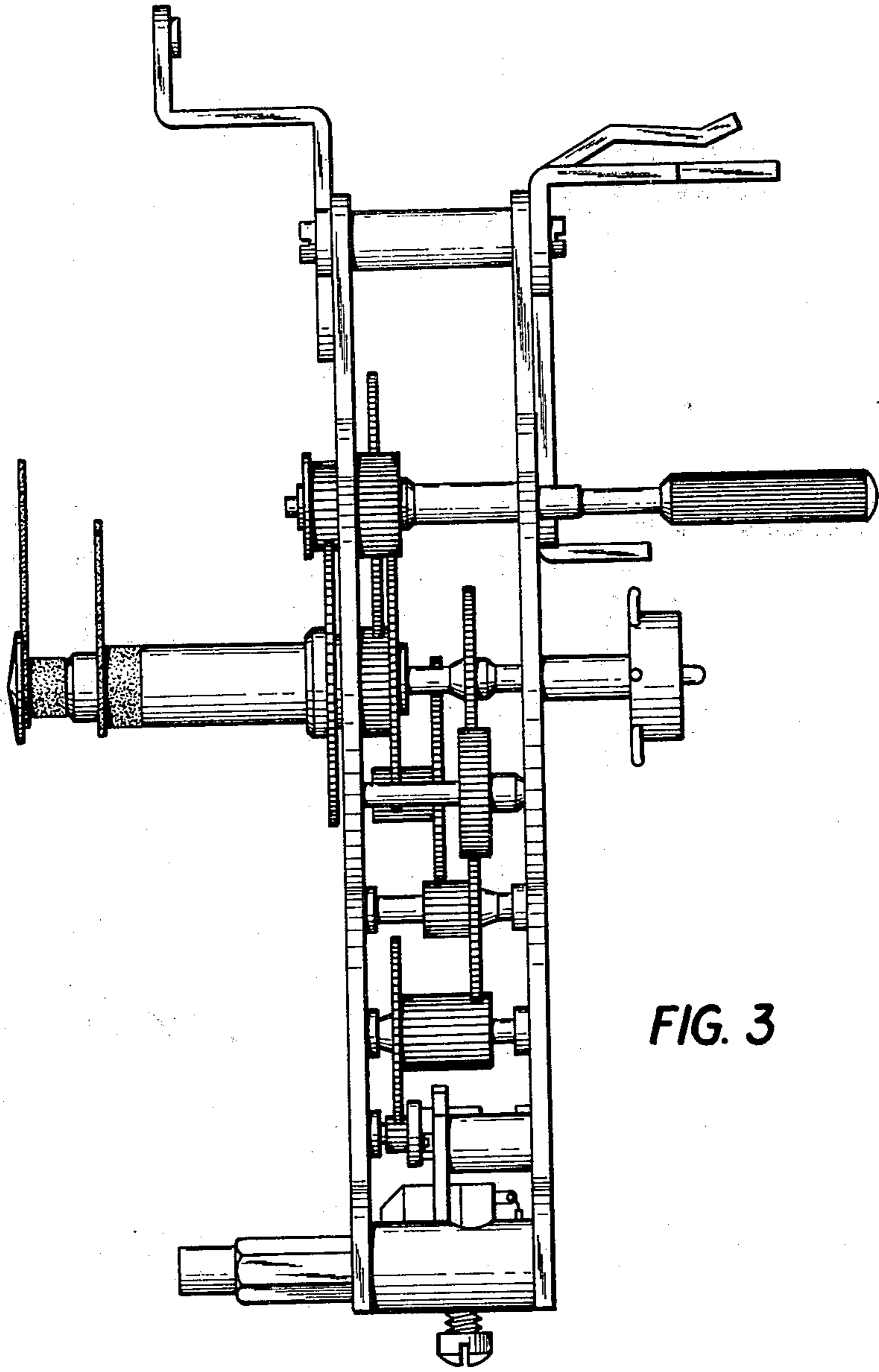


FIG. 3

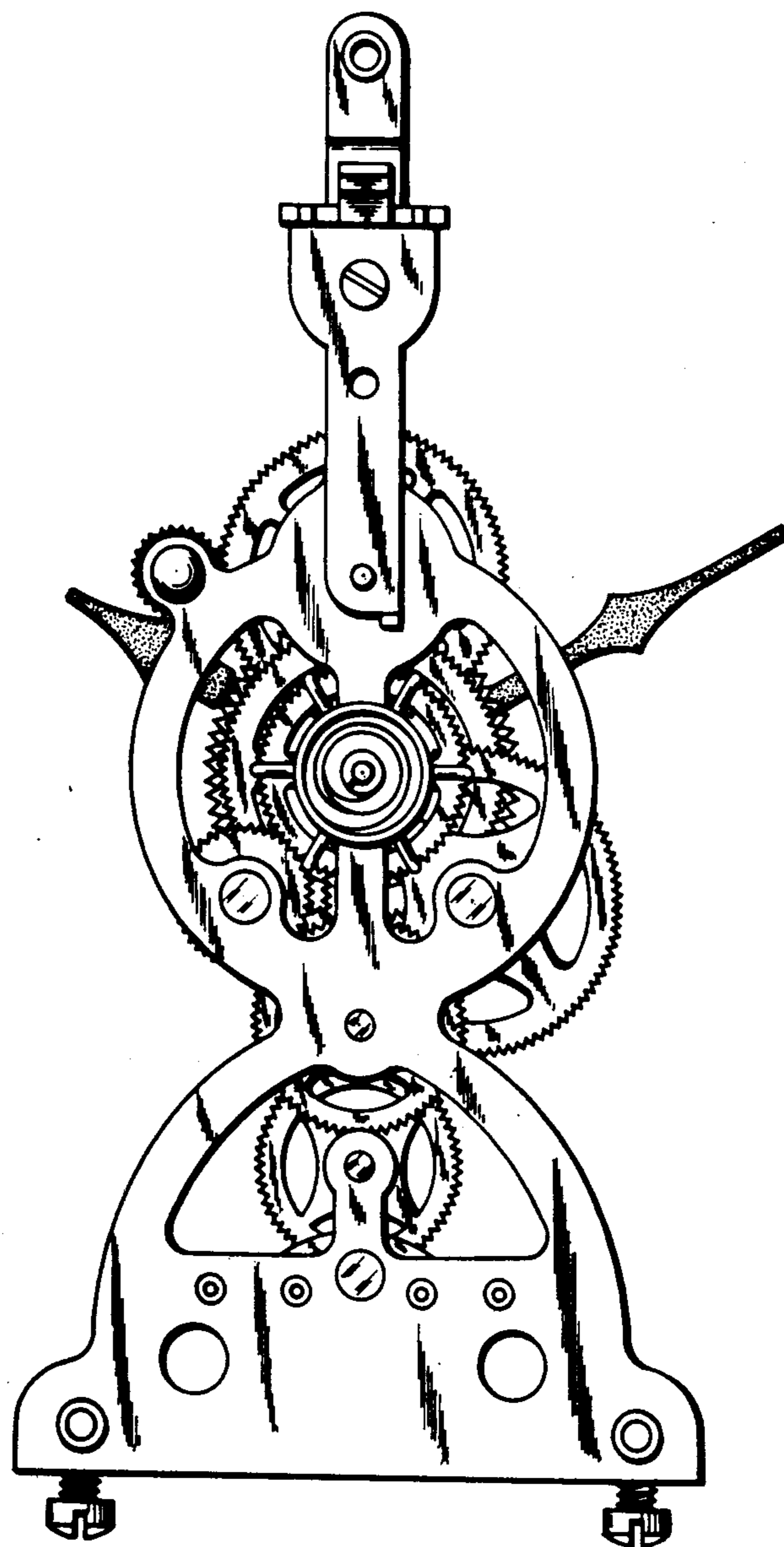


FIG. 4