

[54] COMPASS

22598 of 1914 United Kingdom 33/355 R

[76] Inventor: Toshikazu Yusa, No. 8-15 Ohyamacho, Shibuya-Ku, Tokyo, Japan

OTHER PUBLICATIONS

Sporting Goods Dealer-6/71-p. 34-Compass at bottom.

[**] Term: 14 Years

Primary Examiner-Nelson C. Holtje

[21] Appl. No.: 359,273

Attorney, Agent, or Firm-Barnes, Kisselle, Raisch, Choate, Whittemore & Hulbert

[22] Filed: Mar. 18, 1982

[57] CLAIM

[52] U.S. Cl. D10/68

The ornamental design for a compass, as shown and described.

[58] Field of Search D10/68; 33/355, 356, 33/357, 358, 359, 364

DESCRIPTION

[56] References Cited

U.S. PATENT DOCUMENTS

- D. 105,607 8/1937 Neuwirth D10/68
- D. 150,298 7/1948 Johanson D19/68 X
- D. 242,437 11/1976 Kramer D10/68
- 920,587 5/1909 Laube D10/68 X
- 4,335,521 6/1982 Rutherford 33/355 R X

FIG. 1 is a top plan view of a compass showing my new design with the cover closed;

FIG. 2 is a bottom plan view thereof;

FIG. 3 is a front elevational view thereof;

FIG. 4 is a rear elevational view thereof;

FIG. 5 is a right side elevational view thereof;

FIG. 6 is a left side elevational view thereof;

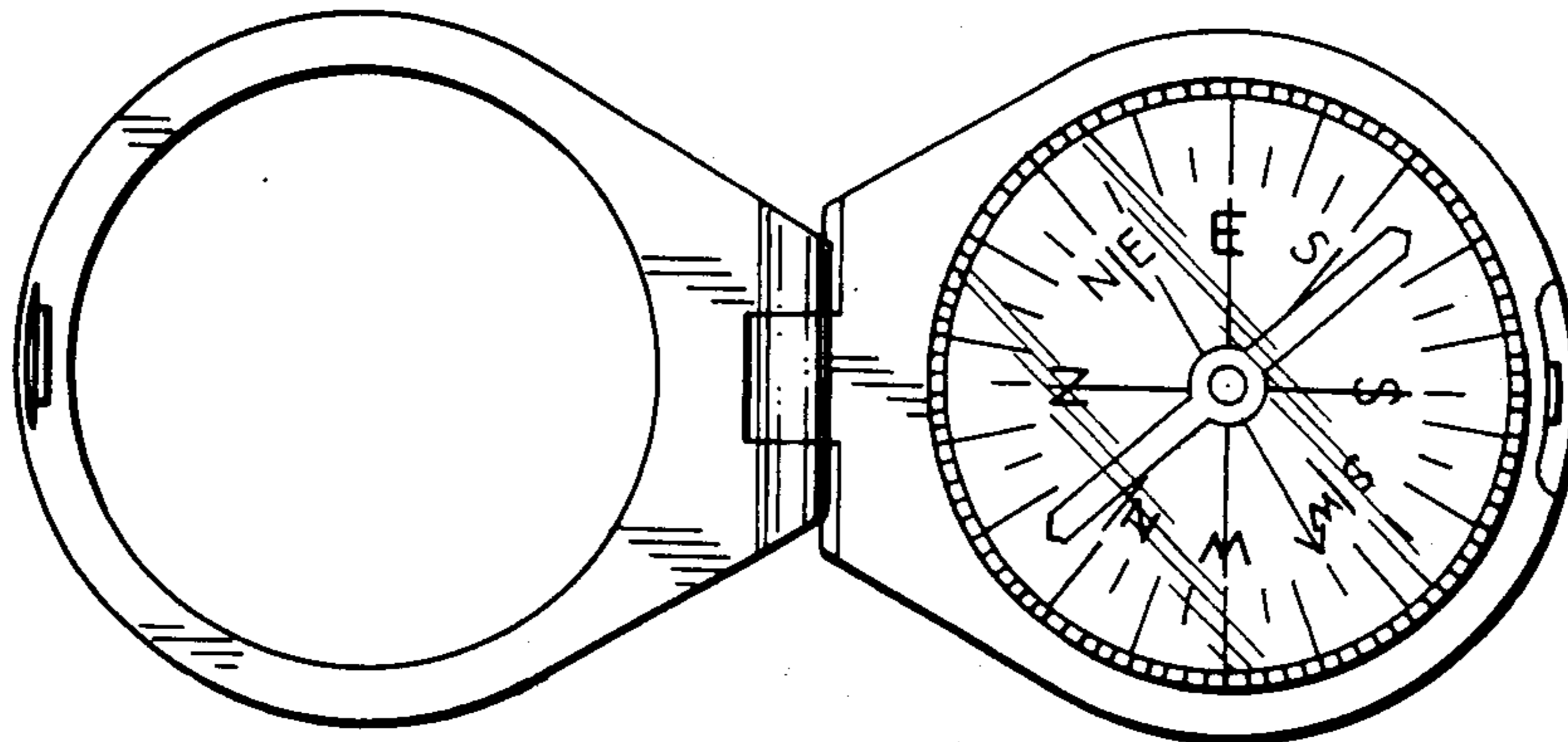
FIG. 7 is a left side elevational view thereof with the cover open;

FIG. 8 is a top plan view thereof with the cover open;

FIG. 9 is a bottom plan view of FIG. 8.

FOREIGN PATENT DOCUMENTS

- 2758 1/1878 Fed. Rep. of Germany 33/355 R



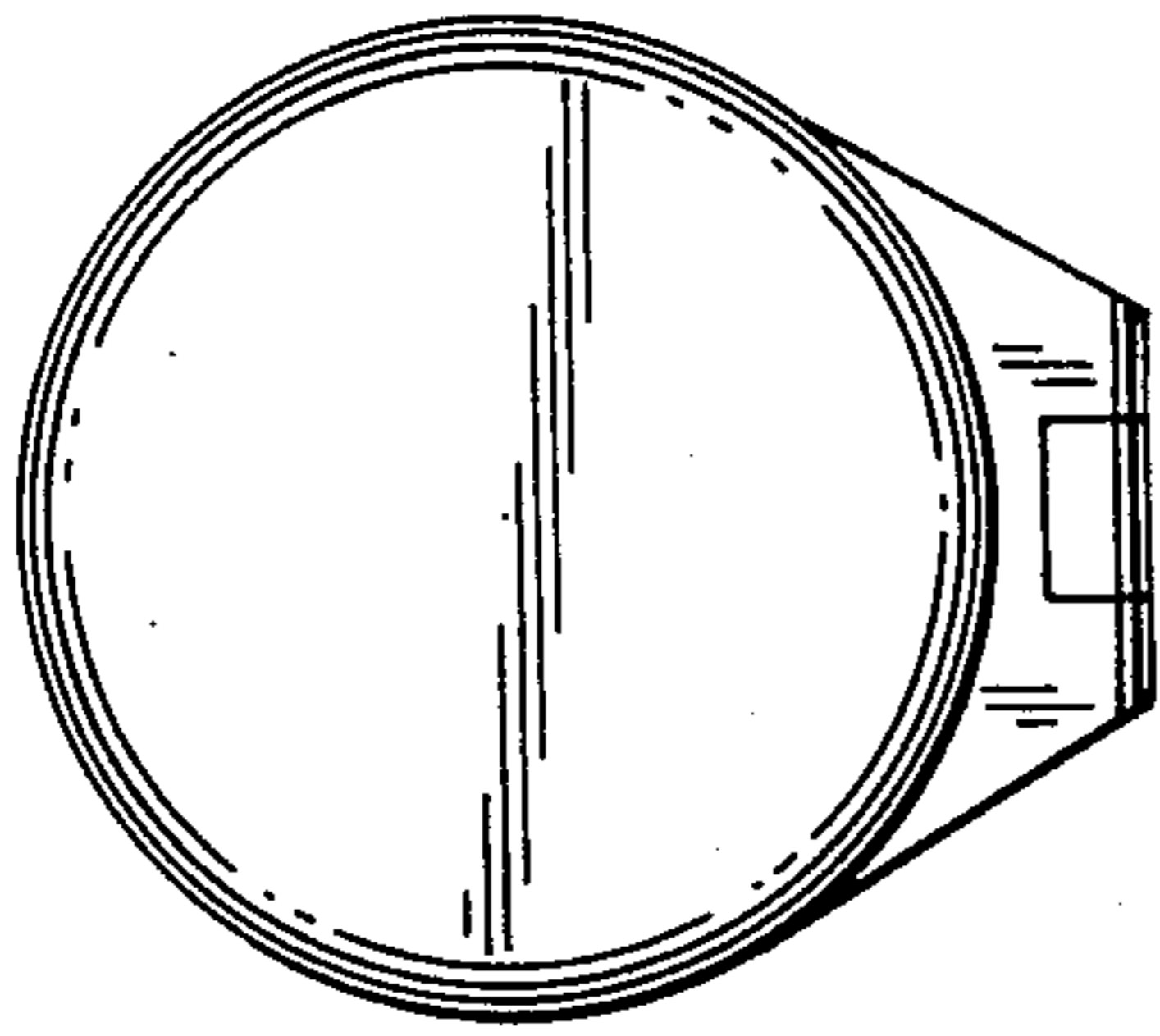


FIG. 1

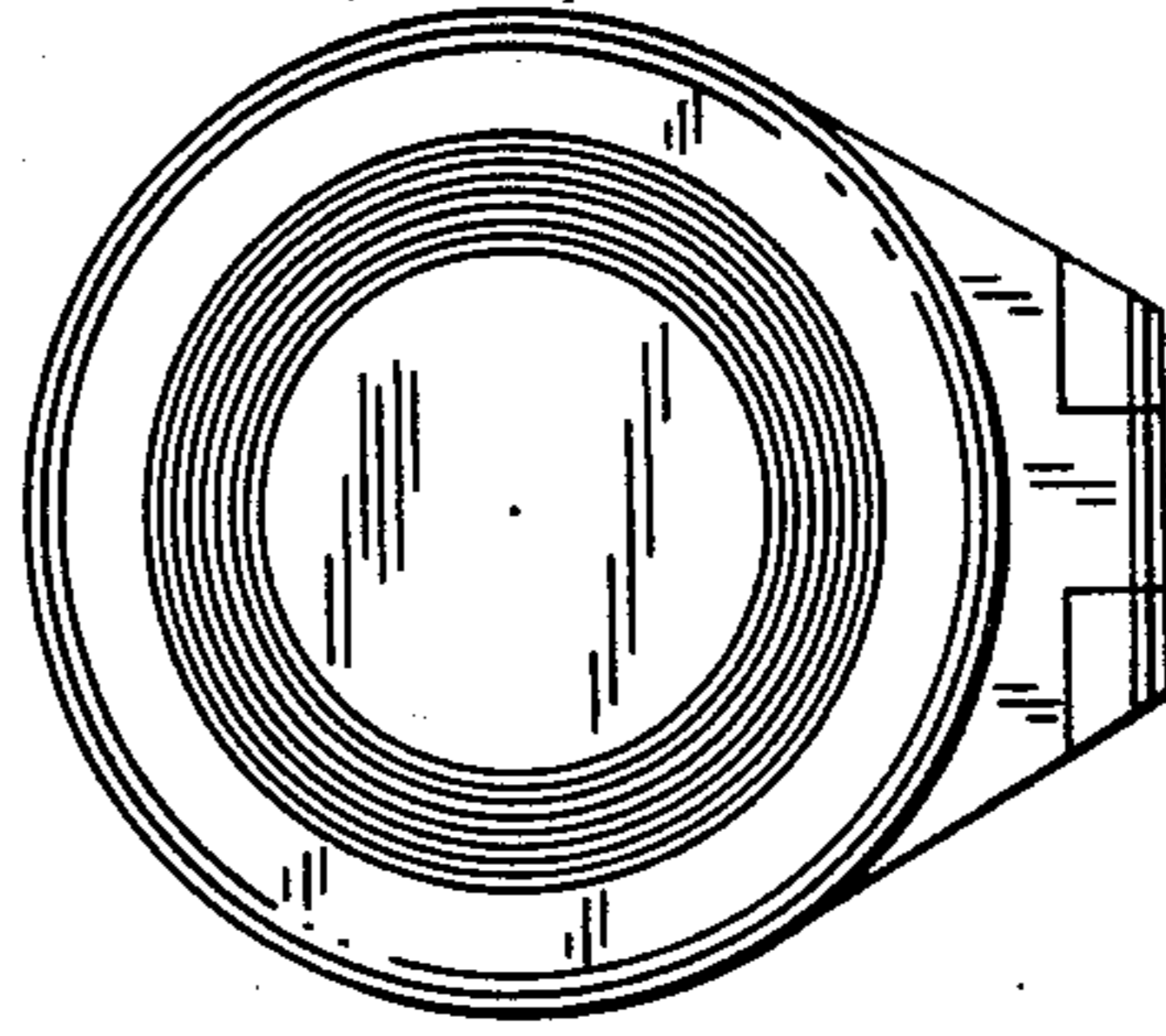


FIG. 2

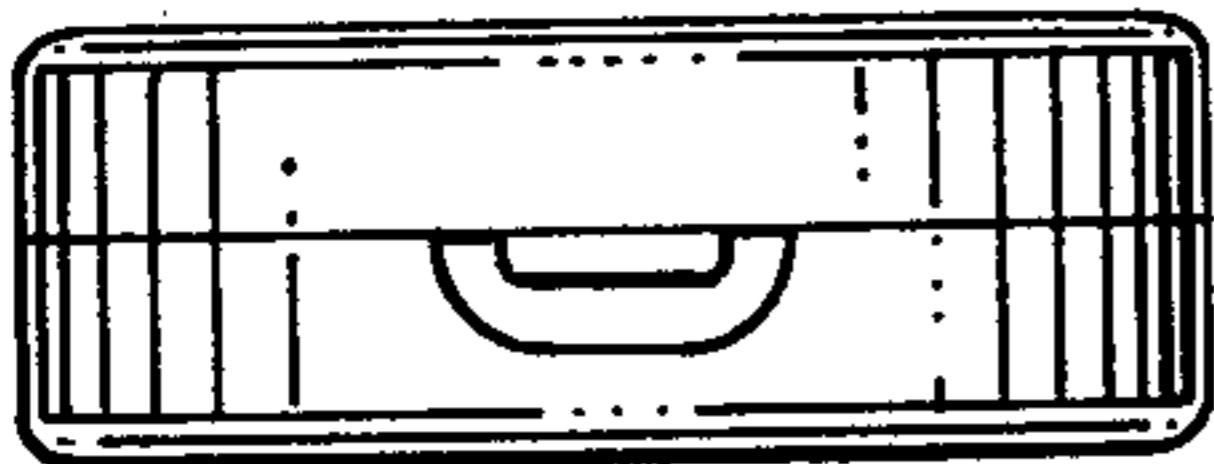


FIG. 3

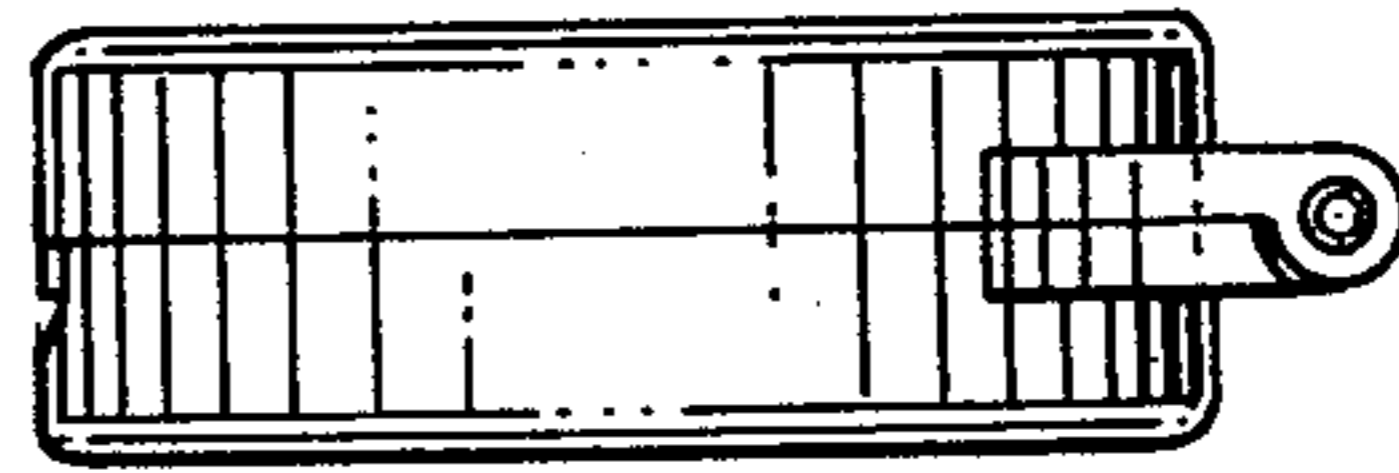


FIG. 5

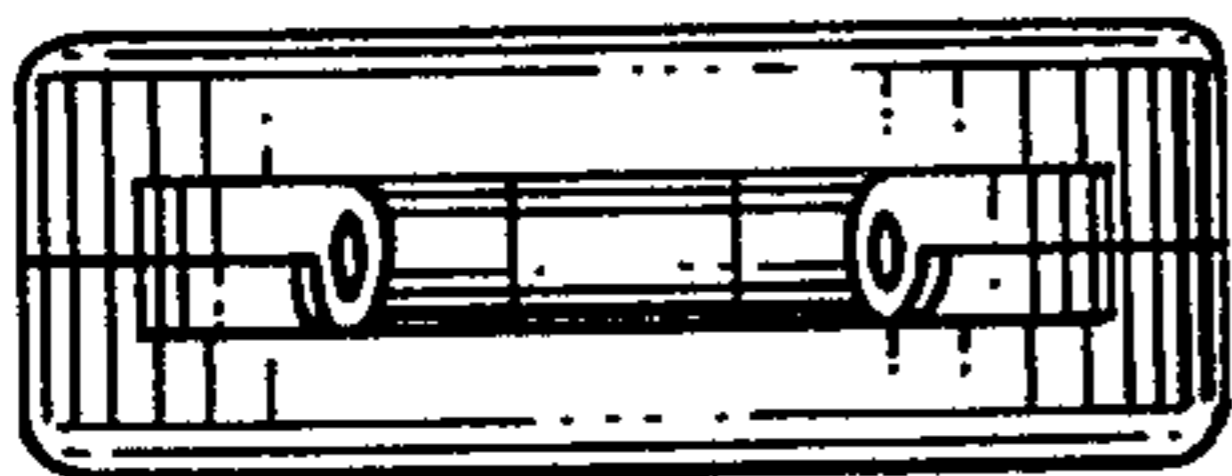


FIG. 4

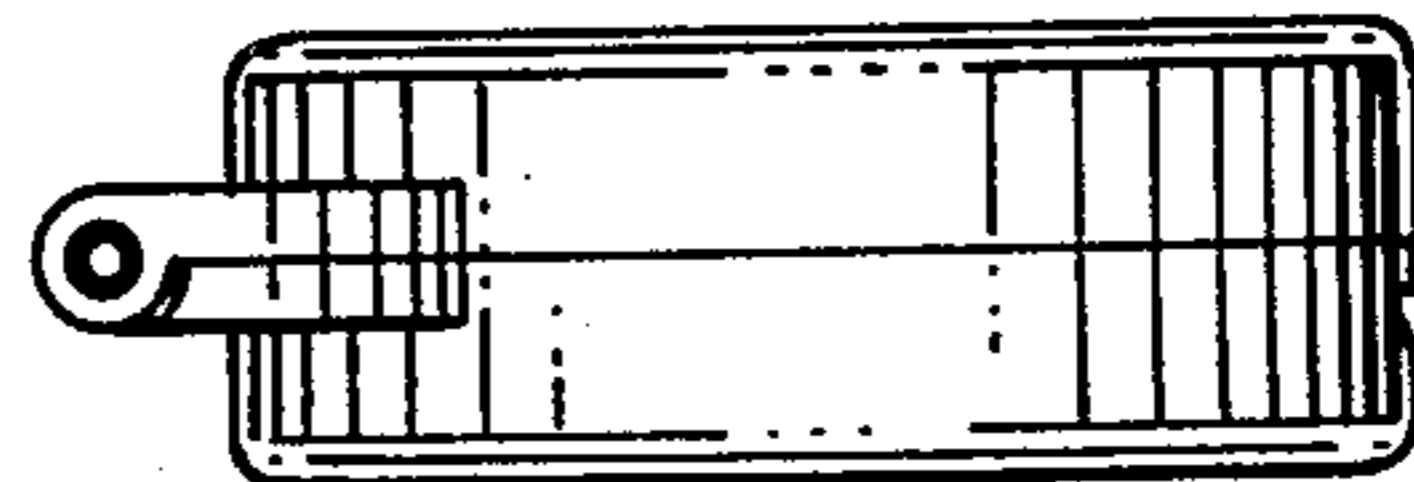


FIG. 6

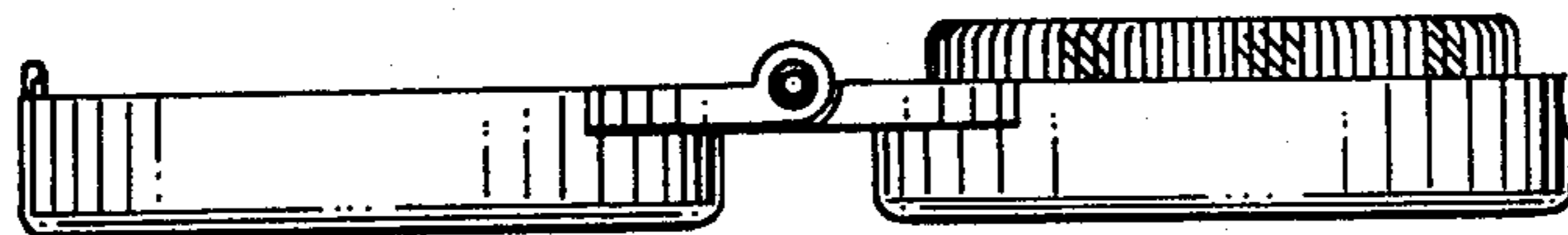


FIG. 7

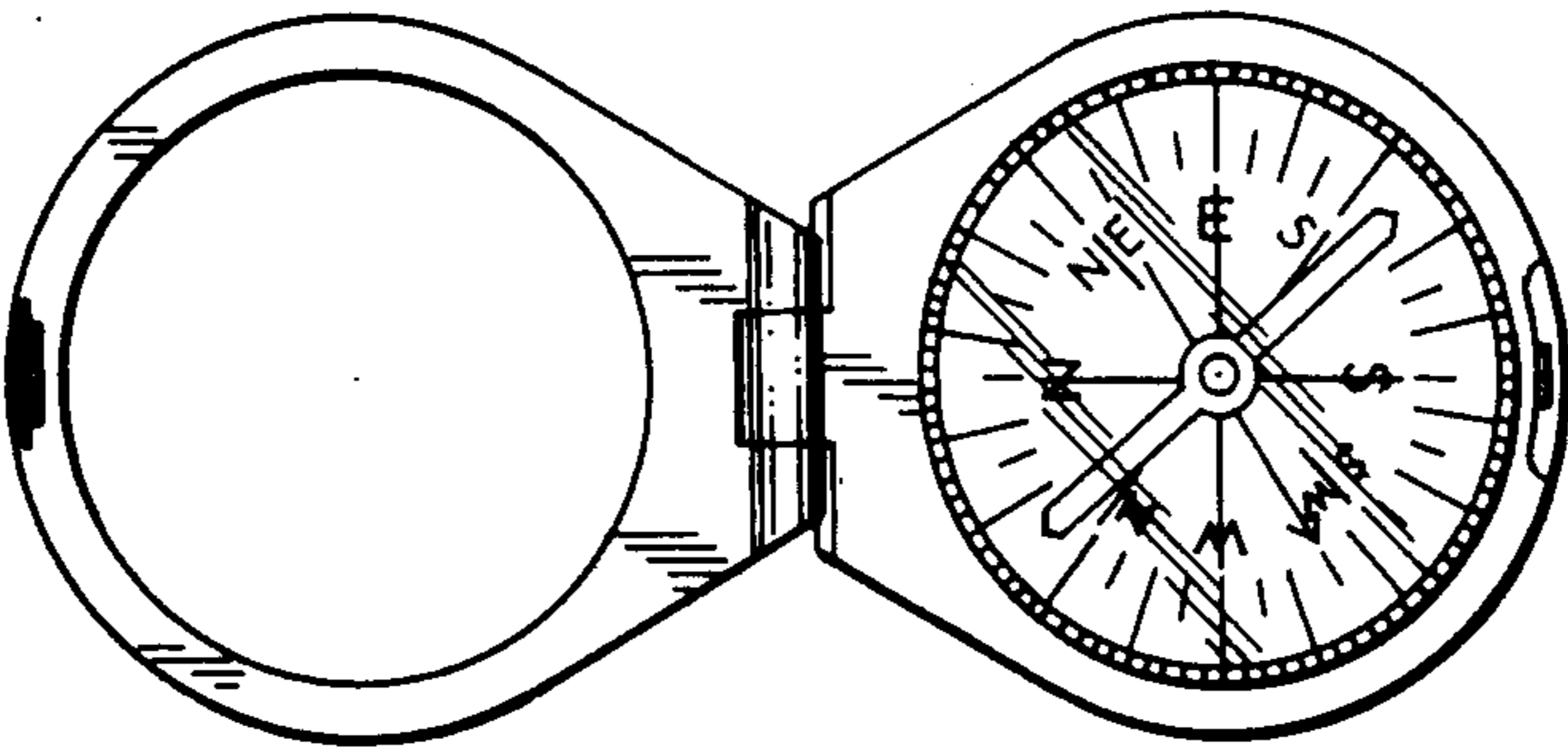


FIG. 8

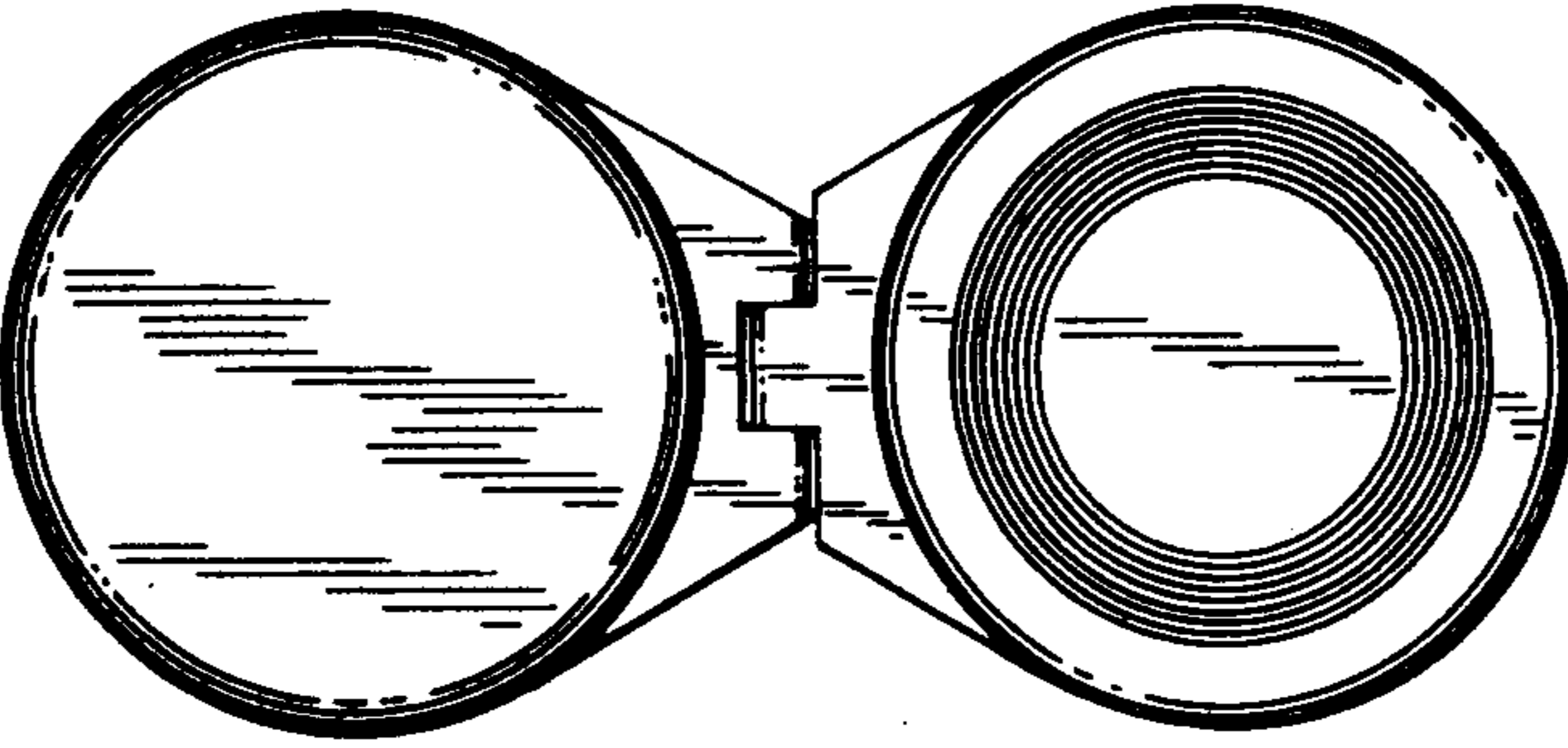


FIG. 9