

[54] PULL TAB FOR A CONTAINER END

[56] References Cited

[76] Inventor: Ermal C. Fraze, 618 Greenmount Blvd., Dayton, Ohio 45419

U.S. PATENT DOCUMENTS

- D. 238,150 12/1975 Cudzik D9/438
- D. 261,364 10/1981 Smyth D9/438
- D. 261,867 11/1981 Hasegawa D9/438
- D. 262,607 1/1982 Drolen, Jr. et al. D9/438

[**] Term: 14 Years

Primary Examiner—Robert C. Spangler
Attorney, Agent, or Firm—Beehler, Pavitt, Siegemund, Jagger & Martella

[21] Appl. No.: 336,092

[57] CLAIM

The ornamental design for a pull tab for a container end, substantially as shown and described.

[22] Filed: Dec. 31, 1981

Related U.S. Application Data

DESCRIPTION

- [62] Division of Ser. No. 91,073, Nov. 5, 1979.
- [52] U.S. Cl. D9/438
- [58] Field of Search 220/265-273;
D9/368, 438

FIG. 1 is a top plan view of a pull tab for a container end showing my new design;
FIG. 2 is a view, partially in section, taken along line 2—2 of FIG. 1.

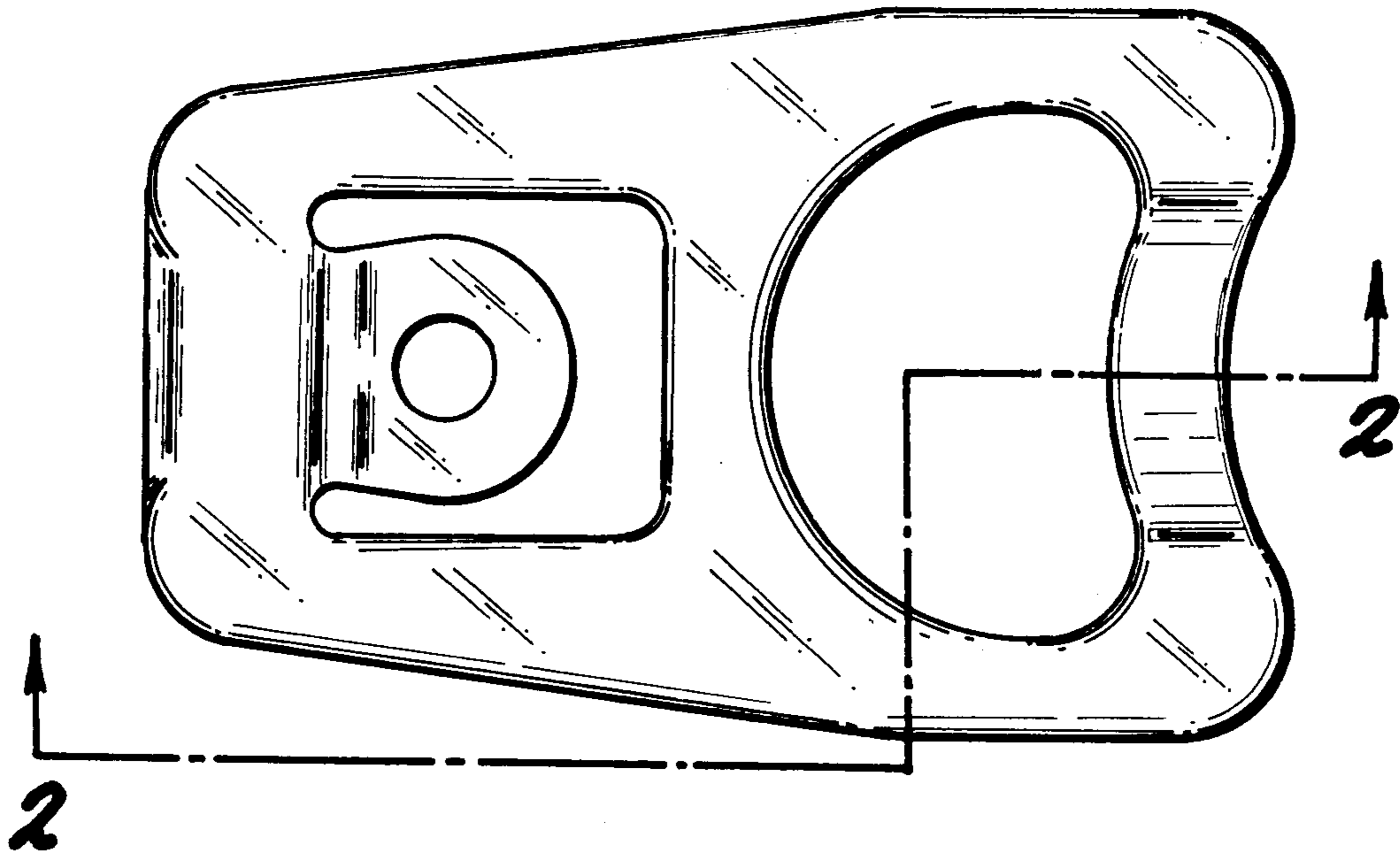


Fig. 1

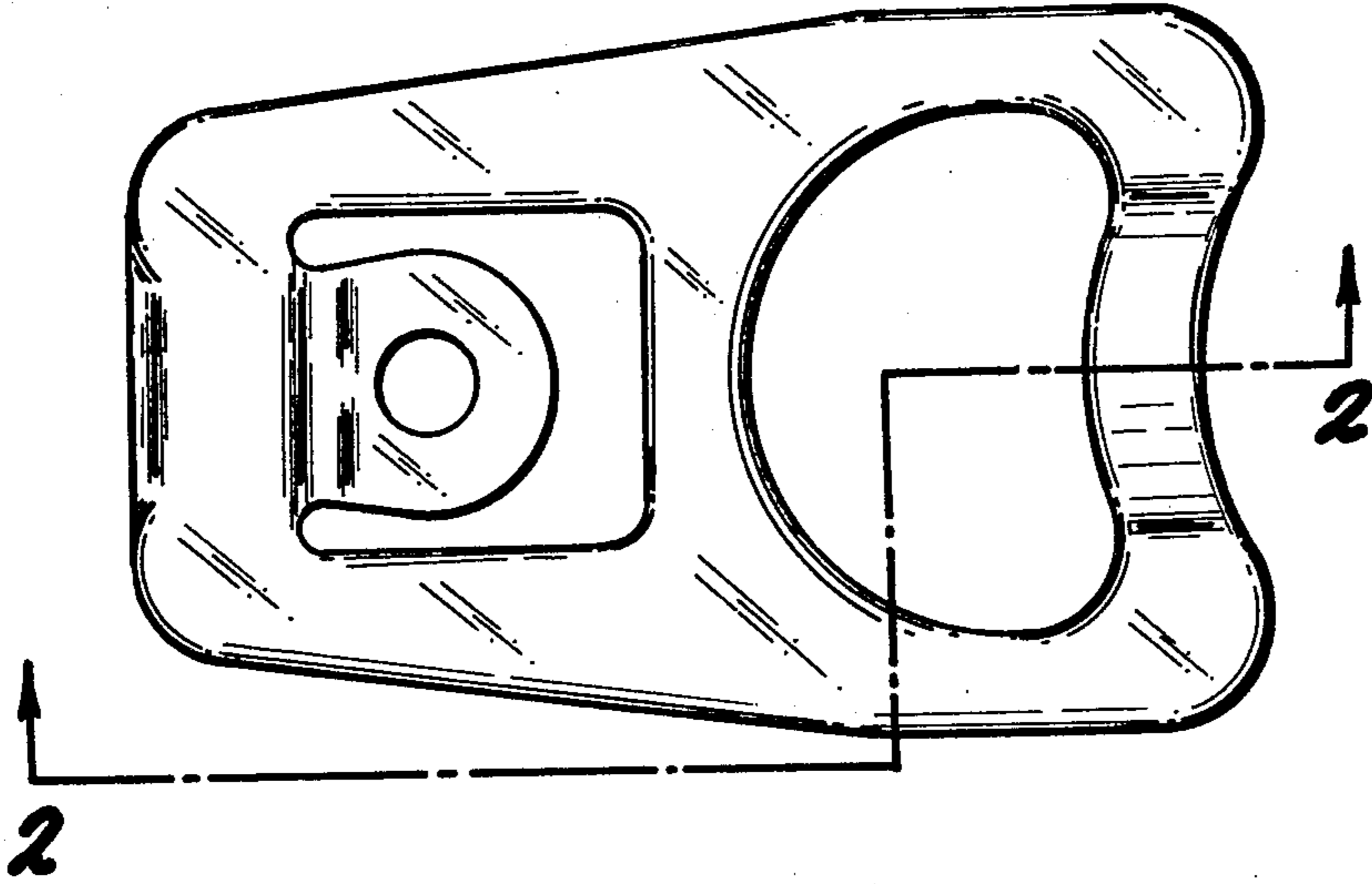


Fig. 2

